

PCA PowerStations

Our Next Generation Industrial PC PowerStation provides powerful processing in a rugged, thin package



Parker's PCA, the Industrial PC PowerStation, provides a rugged exoskeleton with more processing power than ever before in a fan-less, esthetic design that exceeds even modern expectations.

Unleash Your Application

The PCA contains a quad core processor that unlocks the power of any 3rd party or in-house developed application.

Communicate with multiple devices using dual-LAN, multiple USB, or traditional serial ports. With a configurable RS232/422/485 serial port the PCA does not constrain your communication options.

The PCA provides immersive and rich colors to graphics, animations, and critical data updates faster than ever before. All this paired with the incredibly responsive touch screen allows you to unleash your application.

Reduced Cabinet Size

As machines have reduced in size, space saving within enclosures has become an increasingly important feature.

Offered in a variety of sizes from a compact 7" to a immersive 22", the PCA depth of each HMI offers minimal intrusion into the cabinet allowing the PCA to fit where other Industrial PCs cannot.

The widescreen aspect ratio provides 40% more screen space over a traditional 4:3 ratio, providing room for additional functionality or a decluttered screen that provides clear information and reduces opportunity for operator error.

With it's minimal footprint, the PCA's ultra-efficient processor limits energy usage and heat generation allowing closer spacing with other devices in the same cabinet space.

Increased Reliability

The PCA is not a standard Industrial PC, every aspect of it's design protects against common failure modes to provide long lasting and reliable operation and to eliminate machine downtime and maintenance.

The PCA's fan-less design allows users to install-and-forget by avoiding the most common component failure in Industrial PCs: the fan.

In addition, the PCAs ventless design helps shield against metal filings and other contaminants from entering into the unit eliminating any need to internally dust or clean the unit.

Coupled with a mechanically reinforced SSD and intensive shock and vibration specifications, the PCA is meant to withstand the most intense industrial applications.

Secure Remote Access

Easily win over IT with Dual LAN ports that enable users to separate machine networks to those exposed to either the office network or the Internet.

This is especially critical in applications implementing motion or process control software where safety is a concern.



PCA Features

- 7, 10, 15 and 22" touchscreen displays
- No display option
- 1.83GHz Quad Core
- 4GB DDR3L
- 2 USB, 2 Serial, 2 LAN ports
- 64 GB SSD
- Slim 1.3" cabinet depth
- Fan-less and vent-less
- IP65 aluminum bezel
- Analog resistive & projected capacitive touchscreen options



ENGINEERING YOUR SUCCESS.

Same Form Factor, Endless Applications

The PCA is part of Parker's Next Generation of HMI and Industrial PC product lines.

Offering the same esthetics for machine level, supervisory HMI, and Industrial PCs allows for a seamless design and consistent brand image across product ranges.

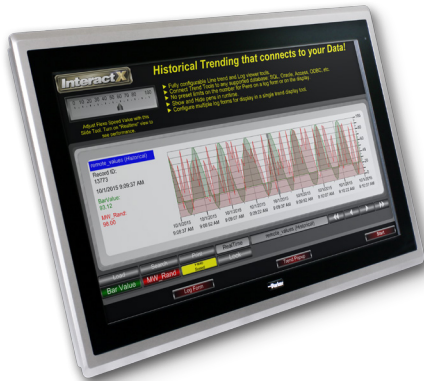
The PCA, IX, and XT series offer the same mechanical fit between their respective sizes. This reduces the engineering time for different machine options or varying applications.



7" and 15" XT Series running Interact Xpress

The Next Generation Product Family

IX InteractX PowerStation



The IX and PCA run on the same hardware providing powerful performance for any application. However, the IX comes pre-loaded with Parker's InteractX runtime.

InteractX is a supervisory level Windows HMI that leads the industry with breakthrough HMI graphics and built-in connectivity.

InteractX 4.0 provides powerful trending and analysis tools that aggregate data from multiple machines or work-cells, and easily pulls Interact Xpress machine level HMI screens and data directly into its interface—without having to recreate applications or input tags!

- Full featured historical trending software
- Sophisticated recipe management tools included
- ActiveX controls for easy integration of 3rd party tools
- Includes Visual Basic for applications (VBA) for advanced customization
- Vast 3rd party OPC client/server support
- One-click multi-language support
- Unlimited tags
- 50+ communication drivers

XT Xpress Terminal

Far more than a push-button replacement, the XT includes Parker's award winning Xpress Terminal software that allows connectivity over the web enabling Information Anywhere™! Six pre-made levels of security allow machine builders to easily provide remote access to users on any device either a PC, iOS or Android using Parker's Remote Manager App.

- 50+ Communication drivers to PLCs and various industrial devices
- Drag and drop GUI simplifying machine development
- Sophisticated recipe management tools included
- Preconfigured and custom Panel tool library for quick screen development

PCA PowerStation Specifications

Features	PCA-000	PCA-007	PCA-010	PCA-015	PCA-022		
Size		7"	10.1"	15.6"	21.5"		
Display	Resolution	Headless PCA; has no display, but has an HDMI and VGA video out port	WVGA (800x480)	WXGA (1280x800)	FWXGA (1366x768)	HD (1920x1080)	
	Viewing Angle		140(H) / 110(V)	160(H) / 160(V)	160(H) / 160(V)	178(H) / 178(V)	
	Brightness		350 cd/m2	350 cd/m2	300 cd/m2	250 cd/m2	
	Bulb Life (hrs)		40,000	40,000	50,000	30,000	
	Weight (lbs)		2.0	2.58	4.24	10.34	16.94
	Touch Interface		—	Analog Resistive	Analog Resistive	Analog Resistive	Analog Resistive or Projected Capacitive
Power Input	12/24 VDC @ 7W	12/24 VDC @ 9W	12/24 VDC @ 11W	12/24 VDC @ 18W	12/24 VDC @ 20W		
Processor & RAM	Intel Bay Trail N2930 (1.83 GHz Quad Core) with 4GB DDR3L						
SD Storage	64 GB SSD						
Operating System	Windows Embedded Standard 7P						
Ports	USB	(3) USB 2.0; (1) USB 3.0	(1) USB 2.0; (1) USB 3.0				
	Serial	(1) RS-232/422/485; (1) RS-232					
	Ethernet	(2) 1000 Base-T, RJ45					
	Audio Out	(1) Audio Out					
Environment	Operating Temp	-10 – 60 °C	0 - 50 °C				
	Storage Temp	-40 - 85 °C	- 20 - 60 °C				
	Rel. Humidity	10-90% @ 40°C, non-condensing					
	Vibration	5-500 Hz: 1 Grms random					
	Shock	15 G peak @ 11 msec					
	IP Rating	IP65 Front Bezel					
Agency Approval	CE, UL/cUL, IEC/EN61010, FCC Class A, Haz-Loc (Class1 Div2)*, RoHS, REACH						

PCA Ordering Information

Order Example: ① ② - ③ - ④ ⑤ ⑥ - ⑦ ⑧

Order Example: PC A - 015 - 3 R 3 - 5 3

Select an option from each numbered field to create a complete model order code, not all combinations are valid.

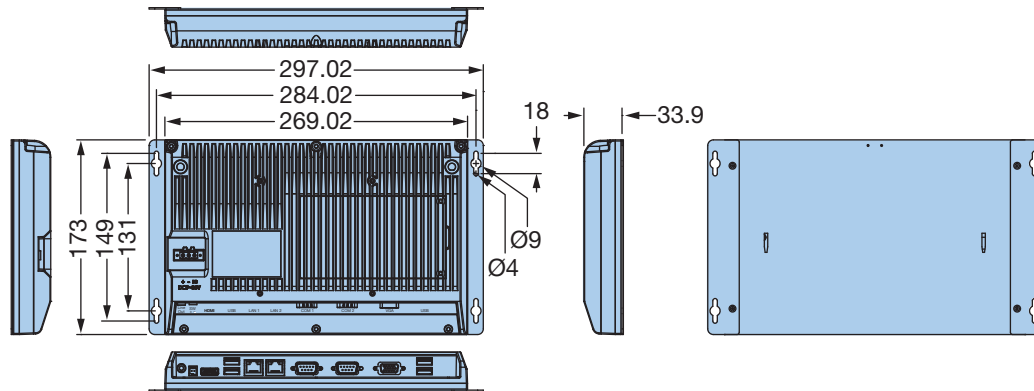
- | | |
|--|--|
| <p>① Series Name
PC Industrial PC PowerStation</p> <p>② Bezel Type
A Aluminum</p> <p>③ Size
000 Headless Display
007 7" Touchscreen
010 10" Touchscreen
015 15" Touchscreen
022 22" Touchscreen</p> <p>④ Processor
3 Intel N2930 Bay Trail</p> | <p>⑤ Touch Options
N No display
R Analog resistive touch
P Projective Capacitive</p> <p>⑥ Storage
3 64GB solid state drive</p> <p>⑦ Operating System
5 WES7P</p> <p>⑧ Agency Approvals
3 CE, UL/cUL, IEC/EN61010
5 Haz-Loc (Class 1 Div2)*</p> |
|--|--|

* Haz-Loc certification coming soon

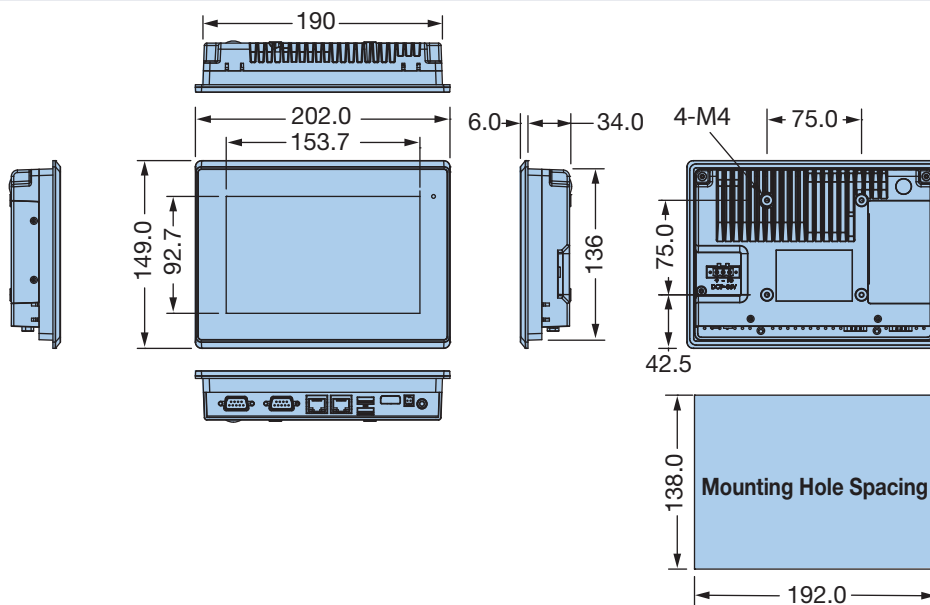
All published product specifications are subject to change without notice.

Dimensions [mm, mounting hole tolerance ±0.5]

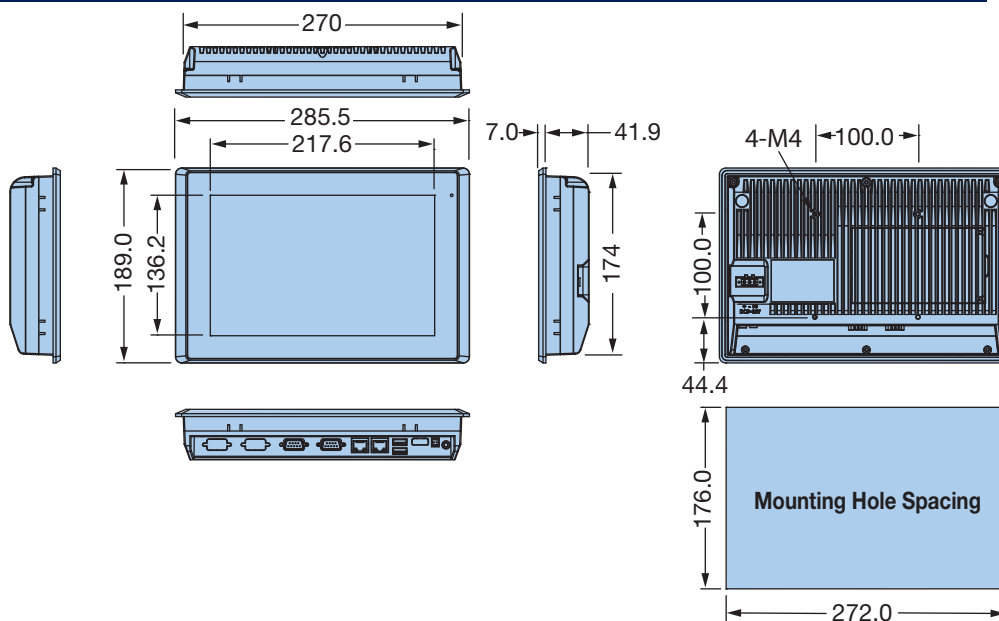
PCA-000



PCA-007

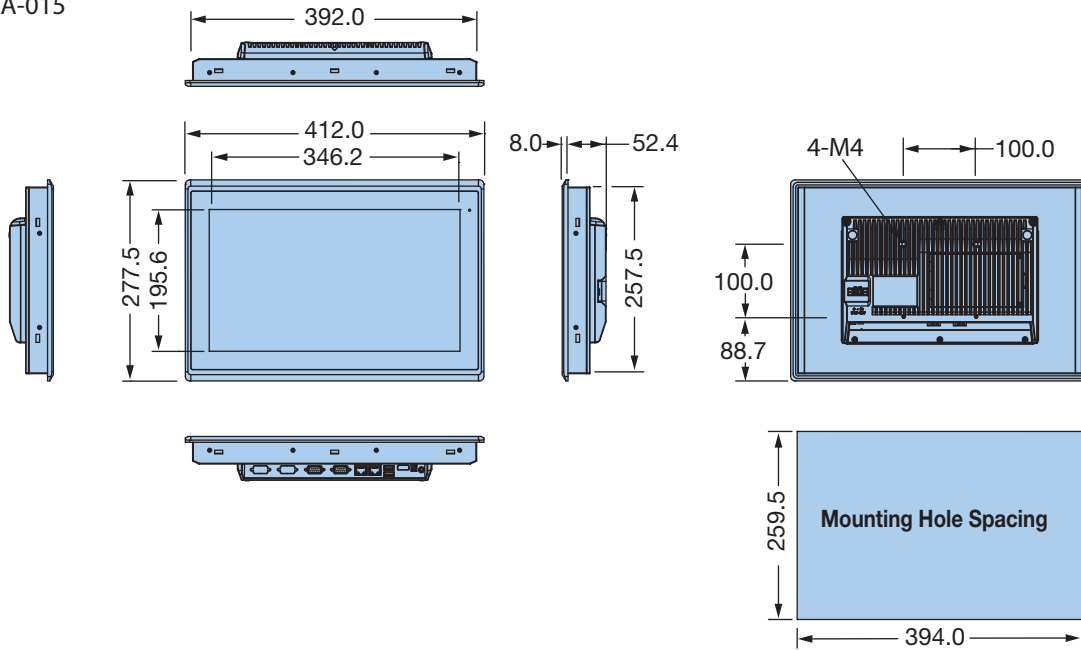


PCA-010

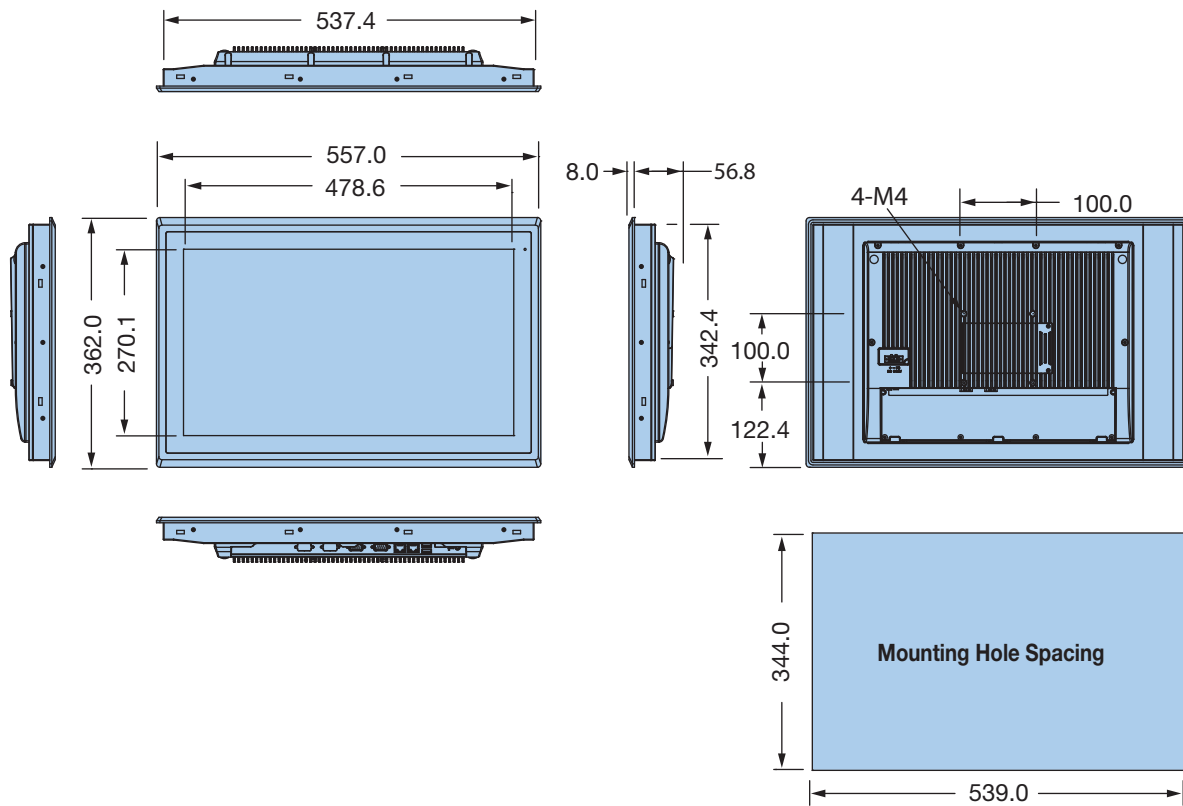


Dimensions [mm, mounting hole tolerance ± 0.5]

PCA-015



PCA-022



EM Sales Offices

Australia

Parker Hannifin (Australia) Pty Ltd.
9 Carrington Road
Castle Hill NSW 2154
Australia
Tel: +61 (0) 2 9634-7777
Fax: +61 (0) 2 9634 3749

Brazil

Parker Hannifin Ind. Com Ltda.
Av. Lucas Nogueira Garcez 2181
Esperança
12325-900 Jacareí, SP
Tel: 12 3954 5100
Fax: 12 3954 5262
Email: automation.brazil@parker.com

Canada

Parker Hannifin (Canada) Inc.
160 Chisholm Dr
Milton, Ontario L9T 3G9
Tel: 905-693-3000
Fax: 905-876-1958
Email: miltoncustservice@parker.com

China

Parker Hannifin Motion & Control
(Shanghai) Co., Ltd
280 Yunqiao Rd. Jin Qiao Export
Processing Zone
Shanghai 201206, China
Tel: (86-21) 50312525
Fax: (86-21) 64459717

France

Parker Hannifin Manufacturing
France SAS
4 Boulevard Eiffel
CS 40090
21604 Longvic
France
Tel +33 (0) 3 80 42 41 40
Fax +33 (0) 3 80 42 41 30

Germany

Electromechanical Europe
Parker Hannifin GmbH & Co KG
Robert-Bosch-Strasse 22
D-77656 Offenburg
Germany
Tel: +49 (0) 781 509 0
Fax: +49 (0) 781 509 98176
Email: em-motion@parker.com

India

Parker Hannifin India Pvt. Ltd
Automation Group-SSD Drives Div.
133 & 151 Developed Plots Estate
Perungudi, Chennai 600 096
Tel: 044-4391-0799
Fax: 044-4391-0700

Italy

Parker Hannifin SpA
Via Gounod 1
20092 Cinsello Balsamo
Milano, Italy
Tel: +39 02 361081
Fax: +39 02 36108400
Email: em-motion@parker.com

Korea

Parker Hannifin Korea
9th Floor KAMCO Yangjae Tower
949-3 Dogok 1-dong Gangnam-gu
Seoul 135-860, Korea
Tel: 82-2-559-0454
Fax: 82-2-556-8187

Mexico

Parker Hannifin de Mexico
Eje uno Norte No.100
Parque Industrial Toluca 2000
Toluca, CP 50100 México
Tel: 52-722-275-4200
Fax: 52-722-279-0316

Singapore

Parker Hannifin Singapore Pte Ltd
11, Fourth Chin Bee Road
Singapore 619702
Tel: (65) 6887 6300
Fax: (65) 6265 5125/6261 4929

Taiwan

Parker Hannifin Taiwan Co., Ltd
No. 40, Wuchiuan 3rd Road
Wuku Industrial Park
Taipei County, Taiwan 248
ROC
Tel: 886 2 2298 8987
Fax: 886 2 2298 8982

Thailand

Parker Hannifin (Thailand) Co., Ltd.
1265 Rama 9 Road
Suanluang, Bangkok 10250
Thailand
Tel: (66) 2 186 7000
Fax: (66) 2 374 1645

UK

Parker Hannifin Ltd.
Tachbrook Park Drive
Tachbrook Park
Warwick CV34 6TU
Tel: +44 (0) 1926 317970
Fax: +44 (0) 1926 317980

USA

Parker Hannifin Electromechanical
& Drives Division Main Office
9225 Forsyth Park Drive
Charlotte NC 28273 USA
Tel: (704) 588-3246
800-358-9070
Fax: (704) 588-3249
Email: emn_support@parker.com

Parker Hannifin Electromechanical
Automation Division
1140 Sandy Hill Road
Irwin, PA 15642 USA
Tel: (724) 861-8200
800-245-6903
Fax: (724) 861-3330
Email: emn_support@parker.com

Parker Hannifin Electromechanical
Motor and Gearhead Business Unit
2101 North Broadway
New Ulm, Minnesota 56073 USA
Tel: (507) 354-1616
800-358-9070
Fax: (507) 233-2390
Email: emn_support@parker.com

Parker Hannifin Electronics
Business Unit
5500 Business Park Drive
Rohnert Park, CA 94928 USA
Tel: (707) 584-7558
800-358-9070
Fax: (707) 584-8015
Email: emn_support@parker.com

Parker Hannifin T-Slot Aluminum
Framing and Guarding (IPS)
135 Quadral Drive
Wadsworth, OH 44281 USA
Tel: (330) 334-3335
800-358-9070
Fax: (330) 334-2350
Email: emn_support@parker.com

