

CHEMICAL AND PHARMACEUTICAL APPLICATIONS



Precision on-line
and at-line NIR
moisture
measurements

- ▶ Enhance Product Quality
- ▶ Improve Production Efficiency
- ▶ Reduce Fossil Fuel Consumption
- ▶ Achieve Right-first-time Batch Drying

NDC & the Chemicals and Pharmaceutical Industries

With over 40 years' experience in the development and manufacture of process instrumentation for industry, our philosophy has been to combine leading edge instrument design with the best in applications engineering, complemented by a range of supporting products to bring the measurement to the process.

We believe that each application or process has special requirements, and that only a complete measurement solution can achieve results.

With an on-line measurement pedigree spanning 8 generations of analyzers, our NDC CM710e Industrial Moisture Gauges, PH710e Pharmaceutical Moisture Gauges and InfraLab Benchtop Moisture Analyzers have been developed specifically to meet the exacting needs of industrial processes.

With a database of over 3,000 different application records representing many thousands of data points comparing NDC On-line Gauges to compendial methods, we are certain that the robustness of our measurements makes our instruments completely dependable for quality and process control.



The Need for Quality & Process Control

Using accurate moisture control to improve product quality & process efficiency

Measurements:

► Moisture Content

- Powders & Granules
- Flakes
- Slurries

Applications:

- Chemicals
- Detergents
- Fertilizers
- Pharmaceuticals
- Nutraceuticals

Automated process control using real-time on-line moisture measurement is a primary objective for many processes, in order to achieve consistently optimal product quality, to meet required product flow or compression characteristics, or to ensure the product can be correctly stored or transported prior to end use.

In addition to product quality, moisture content greatly impacts process efficiency and yield: whether achieving the correct end-point moisture prior to tableting, monitoring moisture in a slurry before the spray dryer, or using feedback control at the dryer exit to optimize moisture – these and many other processes can benefit from tighter control of moisture levels.

Measurements must be robust enough for the process environment and accurate and reliable enough to be trusted for control. The process may also demand specifically engineered solutions to gain access to the product to make an effective measurement.

While many products are transported on conveyors providing convenient measurement access, pneumatic transport systems will require automatic samplers; discontinuous product flows require product presence/absence detection; and measurement may also be required through a sight glass.

We offer a range of well engineered solutions to ensure that the measurement can be made where and when you need it.

InfraLab Moisture Analyzer



CM710e Moisture Gauge



PH710e Pharmaceutical Gauge



The CM- and PH710e Moisture Gauges

Long-term calibration stability – why Series 710e Gauges are trusted for control...

CM710e with Standard IP65 Cast Alloy Housing ▼



CM710e with IP65 Stainless Steel Housing with optional Vortec air cooling ▼



The CM710e on-line industrial moisture Gauge uses precision NIR (near infrared) measurement technology to make a continuous non-contacting measurement of moisture in the process.

With a measurement speed of 7.5 milliseconds, the patented “light engine” uses optical components manufactured in NDC’s own optics facility, to deliver the highest resolution on-line NIR measurements available today.

The CM710e can be incorporated conveniently into closed-loop control systems. Its connectivity options include:

- ▶ Digital
- ▶ Analog
- ▶ Industrial Ethernet
- ▶ Fieldbus

CM710e: Key Features & Options

- ▶ **Series 710e Devices** for interfacing, connectivity and networking
- ▶ **Ethernet, Fieldbus and analog connectivity** options for networking and integration
- ▶ **IP65 & IP67 housings** cast alloy or stainless steel
- ▶ **Auto reference standard** for routine stability checks and standardization after source change
- ▶ **Air and water cooling** options for > 50° C ambient temperatures
- ▶ **PowderVision xampler** for products in enclosed ducts
- ▶ **Air Purge Window Shield** for dusty or steamy atmospheres
- ▶ **ATEX certified system** for dust hazard areas

PH710e: Additional Features

The PH710e uses a modified version of the CM710e housing shown above and features:

- ▶ **316 stainless steel housing** ATEX 3D Zone 22 rated
- ▶ **Glanded single multi-core cable to gauge**
- ▶ **User Port** with digital and analog connectivity to facilitate integration into client network or connection to PLC. Power is also input to the User Port and fed to the gauge

Using industry-standard Ethernet communication hardware such as hubs, cables, repeaters and routers, installation and integration of the modular CM710e gauging system is straightforward.

For network integration, the gauge can be configured for the following industrial Ethernet protocols:

- ▶ EtherNet IP
- ▶ PROFINET
- ▶ Modbus/TCP

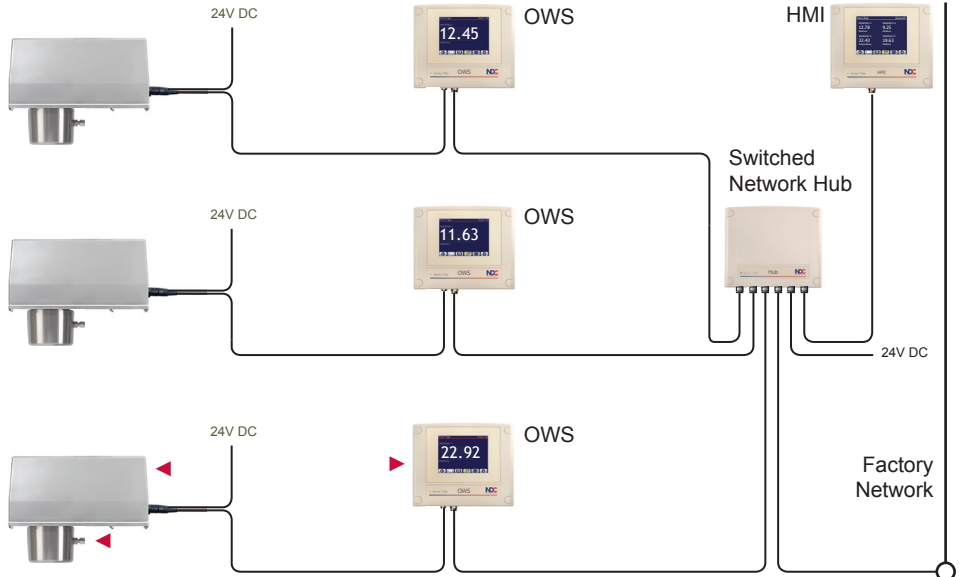
If Fieldbus connectivity is required, the OWS, HMI and User Port can be supplied with Network Gateways for:

- ▶ PROFIBUS DP
- ▶ DeviceNet
- ▶ CANbus Open

710e Devices and Networks

Easy to install, integrate and operate, the CM710e is the most flexible in-process gauging system available...

Convenient interfacing: what you need, where you need it



► The NDC CM710e recommended moisture gauge configuration comprises: Stainless Steel Sensor Housing, Air Purge Window Shield & Operator Workstation

710e HMI



- 1/4 VGA color touchscreen
- Analog and Ethernet connections
- Controls up to 16 gauges
- Multi-lingual interface

710e Devices

Series 710e Peripheral Devices available include:

- OWS: Operator Workstation
- HMI: Human Machine Interface
- User Port
- Switched 7-Way Switched Hub

The OWS provides operator-level interaction with an individual gauge with access to sampling and diagnostic functions.

The HMI provides supervisory access to up to 16 networked CM710e gauges to enable gauge setup, calibration adjustment, and product management, with analog and digital connectivity as well as network access. Both HMI and OWS feature high-definition multi-lingual color touchscreen displays.

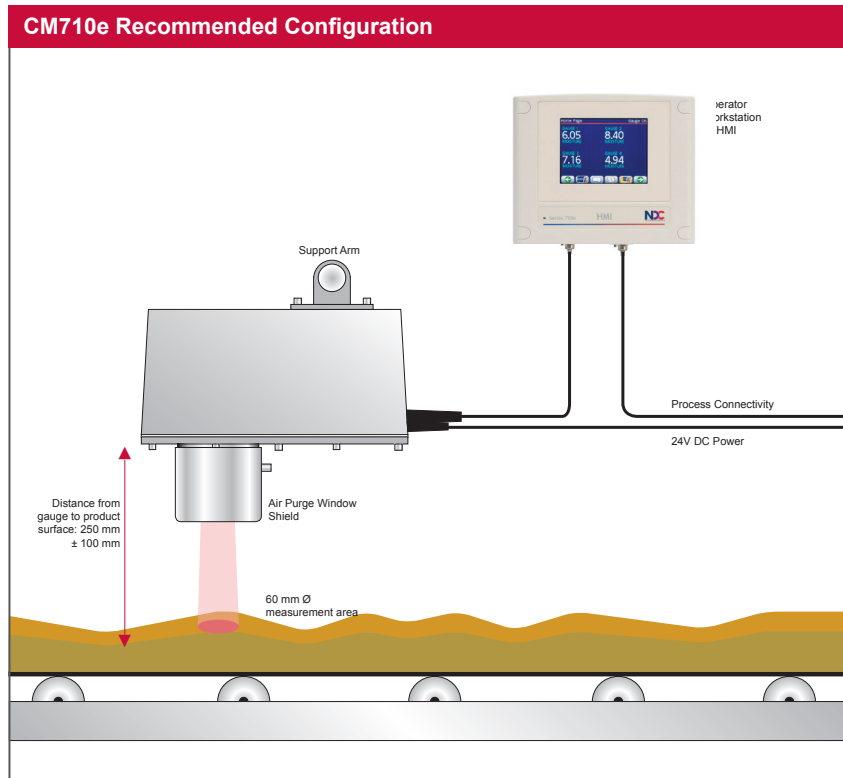
The User Port provides additional analog outputs and digital I/O for any connected gauge. The Switched Network Hub enables convenient networked arrangements of multiple 710e gauges and devices, with its 7 network connections.

For simplicity and convenience, all CM710e gauges and devices run on 24V DC, either from an on-site supply or from an NDC in-line 24V universal power supply.

Long-term stability combined with industry-best performance, low installation costs and no routine maintenance requirements guarantee the lowest cost of ownership over the CM710e's many years of service.

The CM710e in the Process

Fully engineered for continuous or discontinuous product flows



Installation

The CM710e measures over a 60 mm diameter area and is suspended over the process line at a distance of 250 mm from the mean product height to the CM710e measurement window.

The gauge tolerates product height fluctuations of ± 100 mm, without the measurement being affected.

Ambient lighting, temperature or relative humidity changes do not affect the CM710e measurement.

Process Conditions



TEMPERATURE



DUST

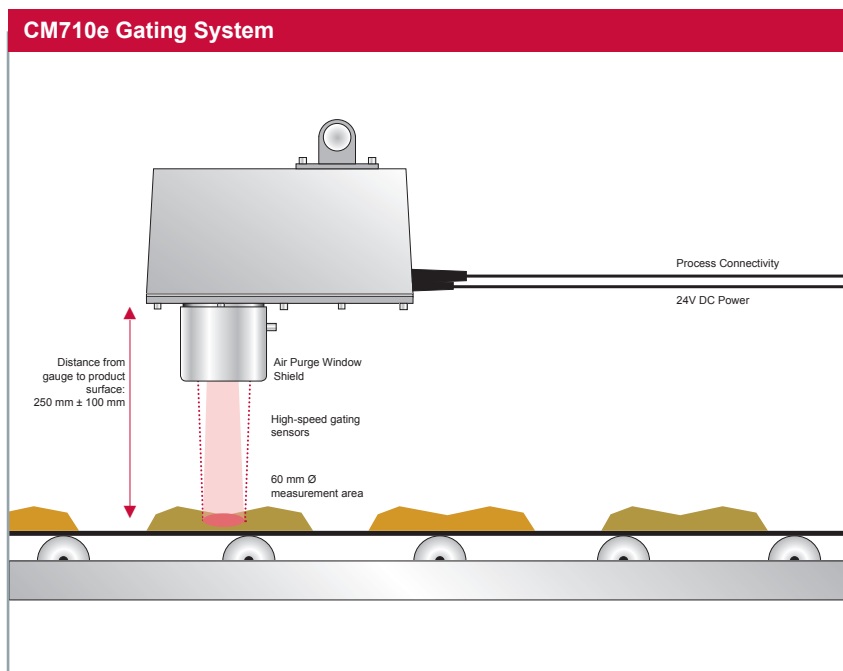


AMBIENT LIGHT



HUMIDITY

The CM710e's alloy & optional stainless steel housings are sealed to IP65 and can operate in ambient temperatures from 0° to 50° C without cooling. The stainless steel housing is also available in IP67 and ATEX certified versions. A vortex cooler attachment or insulated air-cooled housing is available for ambient temperatures exceeding 50° C. The optional Air Purge Window Shield connects to a clean air supply to create a positive air pressure in front of the measurement window to prevent contamination.

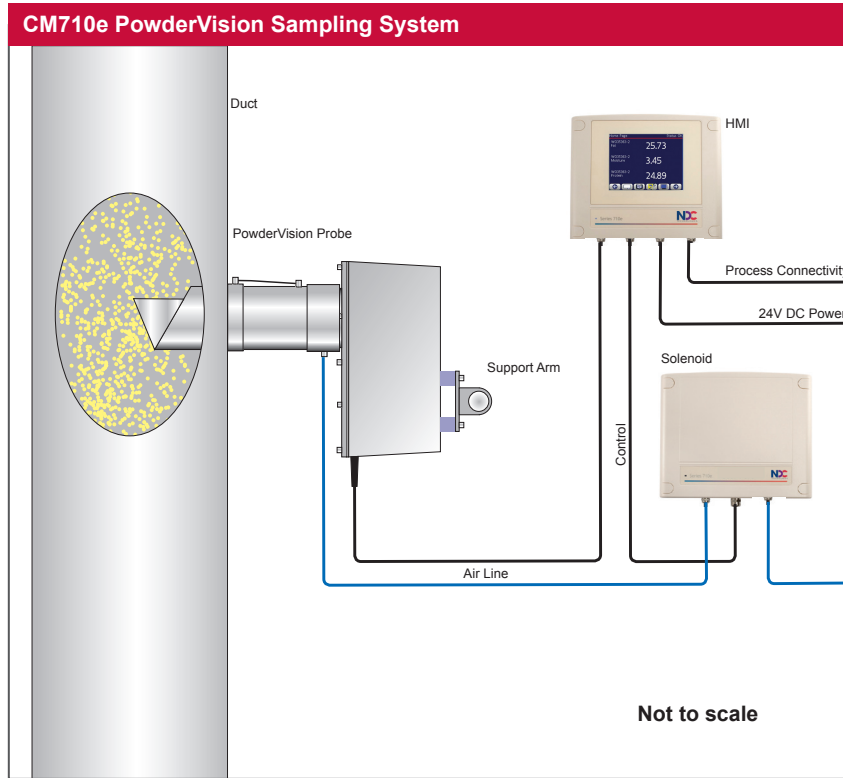


Discontinuous Product Flows

The optional integrated "high-speed gating" system detects the product's presence or absence in discontinuous flows and avoids recording of data when nothing is passing across the measurement area.

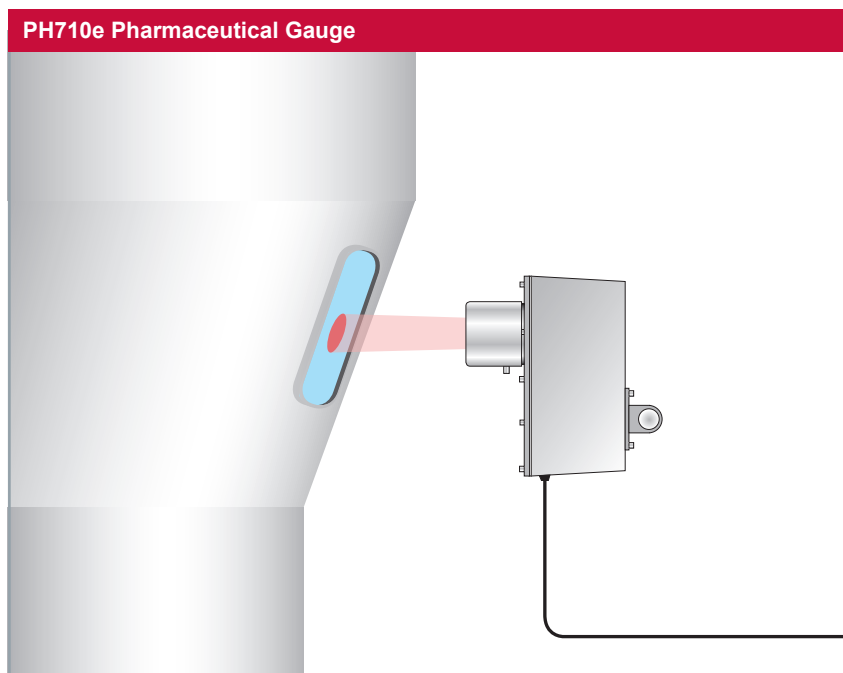
The CM710e & PH710e in the Process

Used with a PowderVision sampler in gravity-fed product flows



Powders in gravity-fed ducts

For powders transported in enclosed ducts, the pneumatic PowderVision sampler is used. The device comprises a tube fitting with window and sample collection cup. The cup fills with the falling product and, after a sample has been collected and measured, a jet of air ejects it and the cycle recommences.



Pharmaceutical powders in fluid bed dryers

The PH710e pharmaceutical moisture gauge can be installed to measure moisture in powders in a fluid bed dryer through a sight glass, while ensuring that the measurement area is below the powder line. For powders which adhere to the sight glass, ask about NDC's novel and unique cleanable fiber probe solution.

The InfraLab Moisture Analyzer

Fast, accurate and easy to operate, the InfraLab makes short work of sample testing

Key Features

- ▶ **Color VGA display** touchscreen user interface
- ▶ **InfraLab Manager software** for data management via PC
- ▶ **Ethernet and LIMS** connectivity
- ▶ **On-board data storage** of up to 10,000 sample measurement files
- ▶ **Up to 200 users** each with identifying pass code
- ▶ **Product database** for up to 200 products with unique settings for each
- ▶ **USB data port** for data download to spreadsheet programs
- ▶ **Barcode reader option** making log-in and product selection even easier
- ▶ **Reference standard** for routine stability checks and standardization after servicing
- ▶ **Choice of sample bowl size** deep, shallow (rotating) or petri-dish (static)

The InfraLab e-Series moisture analyzer is designed for at-line or laboratory use and measures samples taken from the process in less than 10 seconds.

InfraLab is designed as a routine replacement for loss-on-drying, Karl Fischer titration or gravimetric moisture testing.

Once calibrated to the preferred reference methods, a process facilitated by the InfraLab Manager software, its key advantages are: speed, minimal sample preparation and the fact that it measures a larger, more representative sample than other techniques.

Once set up, InfraLab is accessed via its intuitive interface and requires no special user skills in routine use.

Secure data storage

In addition to its speed and precision, InfraLab benefits from substantial data storage and security features.

The time and date of every measurement are recorded along with the name of the operator who is logged in at the time.

5 year consumables warranty

The source lamp and motor are guaranteed for 5 years and can be exchanged quickly and easily on site without intervention from NDC.

Ethernet connectivity enables InfraLab to be used either as a stand-alone analyzer or integrated into LIMS or factory networks, or simply connected to a PC when required to take advantage of the features offered by the InfraLab Manager software.

InfraLab Manager software

provides user access to all measurement and calibration data and enables set-up and remote access to data and key functions. It enables up to 16 networked analyzers to be controlled and viewed centrally from a PC.



▶ **Standard large bowl**

At-Line in the Process Area or in the Laboratory

Access data quickly and easily via Ethernet or the USB download function



► InfraLab shown with optional petri-dish adapter

InfraLab delivers substantial savings through increased speed and reduced costs of routine sample testing...

InfraLab Manager Software

► Histogram

► Data display

► Calibration

The software interface displays three main views: a histogram showing a distribution of moisture data with a normal curve overlay and statistical summary (Count: 218, Mean: 10.28, SD: 0.48, Minimum: 9.05, Maximum: 11.37); a data display showing a time-series plot of moisture levels over weeks; and a calibration plot showing a strong linear correlation between reference and analyzed values, with a list of calibration parameters on the left.

Applications

Comprehensive applications engineering for high-performance process measurements

NDC Chemical and Pharmaceutical Applications		
Industry sector	Moisture	Application Areas
Chemicals	✓	aluminum hydroxide, alumina/aluminum oxide, amino acid powder, ammonia oxide, ammonium/potassium chloride, boric acid, bromine, calcium carbonate, ferrite powder, sodium chloride (salt), sodium carbonate/bicarbonate, sodium sequecarbonate, sulphur, titanium dioxide paste/powder, uranium dioxide
Detergents	✓	detergent powders: zeolite, phosphate- or carbonate-based detergent slurries; phosphate or zeolite based
Fertilizers	✓	ammonium, phosphate or nitrate based
Pharmaceuticals & Nutraceuticals	✓	pharmaceutical & nutraceutical powders, sugar coatings in the pan coater

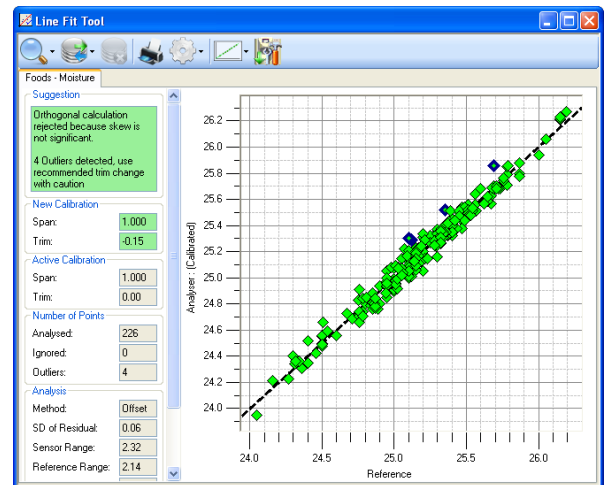
Measurement Ranges and Calibration

Recognizing that there can be no such instrument as a "generic" moisture analyzer, our CM710e & PH710e Gauges and the InfraLab Analyzer are all supplied with a factory pre-calibration which covers the required moisture range. The pre-calibrations are based on our extensive applications engineering history and are designed to require the minimum of adjustment to achieve agreement with your laboratory primary reference technique.

The GaugeToolsXL (for CM-/PH710e) and InfraLab Manager software provided simplifies this process by enabling comparison of instrument values with laboratory results and feature the following tools and functionality:

- ▶ Instrument Set-up and Calibration
- ▶ Product Management (Product Settings)
- ▶ Displays of Measurement and other Key Parameters
- ▶ Data Logging and Data Trending & Export
- ▶ Diagnostic Functions
- ▶ OPC Server (optional)

Thanks to their Ethernet connectivity, in many instances, the instruments can be interrogated and communicated with via the internet to provide diagnostics, updates and other support functionality.



For applications in minerals and other bulk materials consult the Minerals and Bulk Materials brochure.

Company overview

Combining industry-best performance and reliability with a global support structure

NDC Technologies, headquartered in Irwindale, California, designs, develops and produces a wide range of process measurement and control instrumentation for a broad scope of manufacturing industries.

NDC has manufacturing facilities in California, Dayton, Ohio and Maldon, UK, with centers of excellence at each of these locations including Loncin, Belgium. In addition, there are direct sales and support facilities in China, Japan, France, Germany and Italy. There is also a highly trained network of Sales and Service distribution channels in more than 60 countries around the world.

NDC Technologies is structured to serve its key industry segments with two distinct business units:

► Food, Bulk and Packaging

In packaging, NDC provides basis weight, thickness, coat weight and moisture measurement and control systems for a diverse array of applications in the converting and film extrusion industries and also provides solutions for customers in nonwovens and calendering.

For the food and bulk industries, NDC delivers both on-line and at-process analyzers for the measurement of key constituents such as moisture, fat, oil and protein. NDC's broad spectrum of measurement solutions are used in the food, chemicals, minerals building materials, pharmaceutical and tobacco industries.

► Cable, Metals and Tubing

In the steel and aluminium industries, NDC offers advanced solutions for the measurement of thickness, width, flatness, edge shape, coatings, and length and speed of sheet and long casted products.

NDC serves the wire, cable, fiber optic, pipe and tube industries with a broad portfolio of on-line and off-line measurement and control solutions for the dimensional monitoring of diameter, ovality, wall thickness, eccentricity, length and speed, and other parameters.



NDC Technologies is represented in over 60 countries worldwide. www.ndc.com

a **spectris** company

NDC Technologies Inc.

Tel: +1 626 960 3300
Email: info@ndc.com

NDC Technologies sa

Tel: +32 4 239 90 10
Email: sales@ndcinfra.be

NDC China

Tel: +86 20 2887 3860
Email: info@ndcinfra.com.cn

NDC Germany

Tel: +49 1801 977112
Email: ndcgermany@ndc.com

NDC Singapore

Tel: +65 91994120
Email: apacsales@ndc.com

NDC Technologies Ltd

Tel: +44 1621 852244
Email: enquiries@ndc.com

NDC Beta LaserMike

Tel: +1 937 233 9935
Email: sales@betalasermike.com

NDC Japan

Tel: +81 3 3255 8157
Email: ndcjapan@ndc.com

NDC Italy

Tel: +39 0331 454 207
Email: ndcitaly@ndc.com

NDC India

Tel: +91 9890800697
Email: ndcindia@ndc.com



In line with its policy of continuous improvement, NDC reserves the right to revise or replace its products or services without prior notice. The information contained in this document may not represent the latest specification and is for indicative purposes only.

Document Number: IB-03-15528-02-2015-03
Date of Issue: March 2015
© NDC Technologies 2015