

GRAND SLIDER II (Twin Track)

Product Manual

Contents:

SECTION A:

Typical Sections

SECTION B:

Hardware Options

SECTION C:

Pocket Slider Typical Sections

SECTION D:

Coupling Details

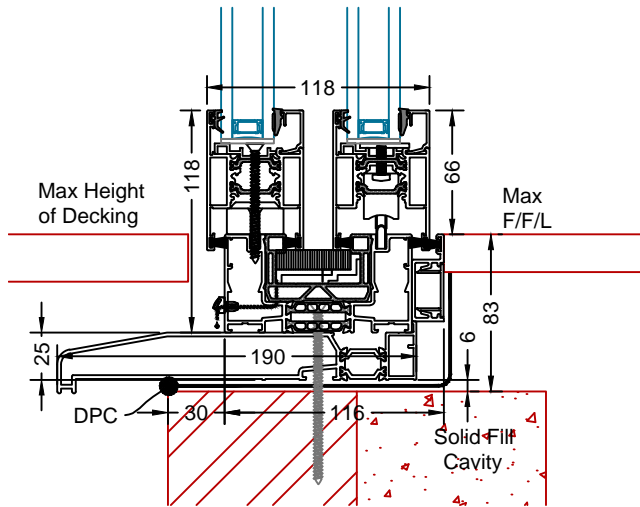
SECTION E:

Statics

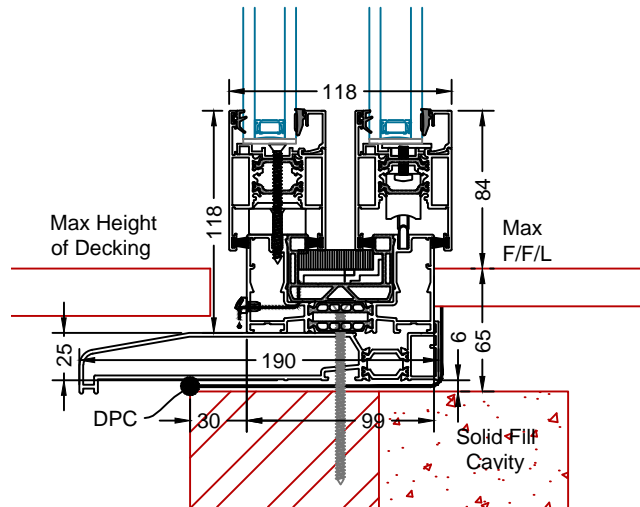
GRAND SLIDER II (Twin Track)

TYPICAL SECTIONS

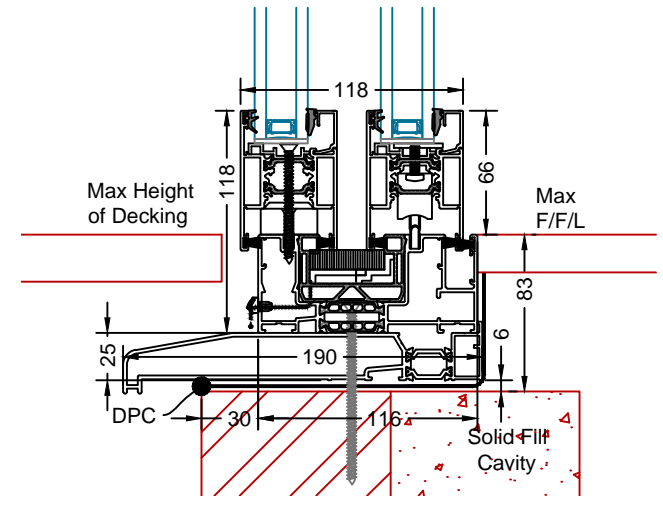
Twin Track on a Sill
With Internal
Flush Floor Detail



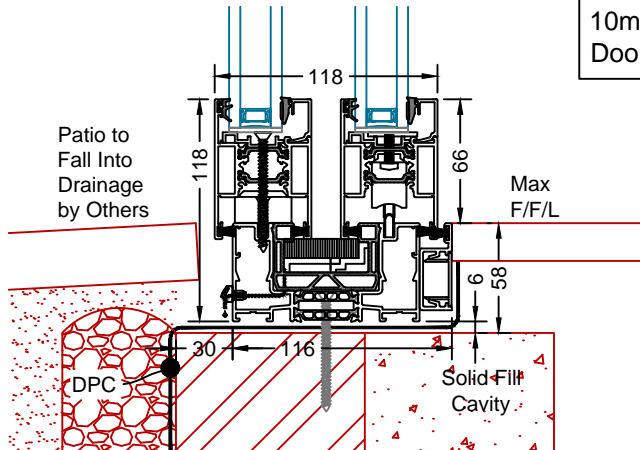
Twin Track on a Sill
With Non-Flush
Internal Floor Detail



Twin Track 190mm Sill
With Flush Internal Profile All Round

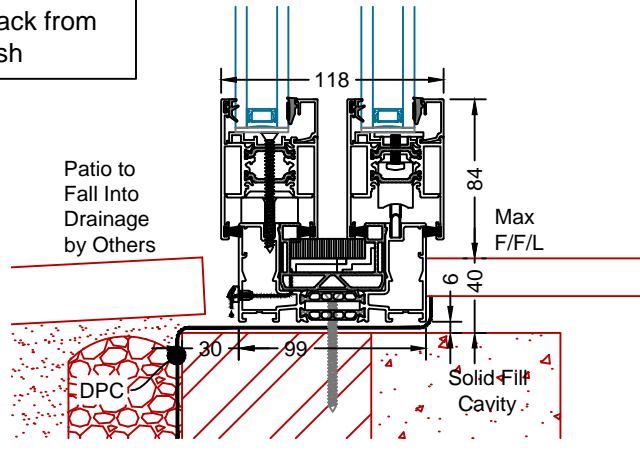


Twin Track
With Internal
Flush Floor Detail

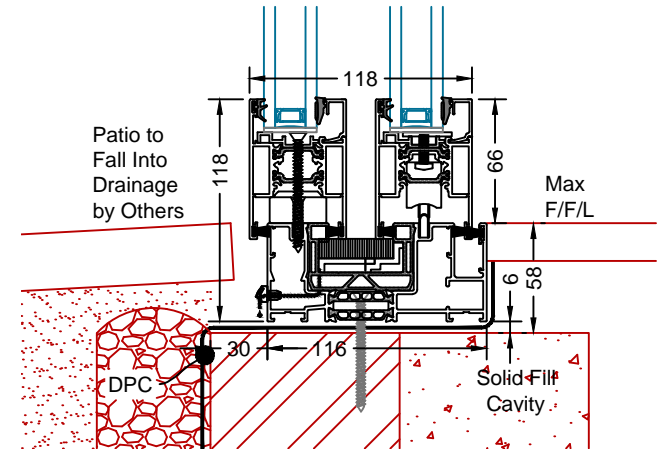


Note: All External
Floor Finishes to be
10mm Back from
Door Sash

Twin Track
With Non-Flush
Internal Floor Detail



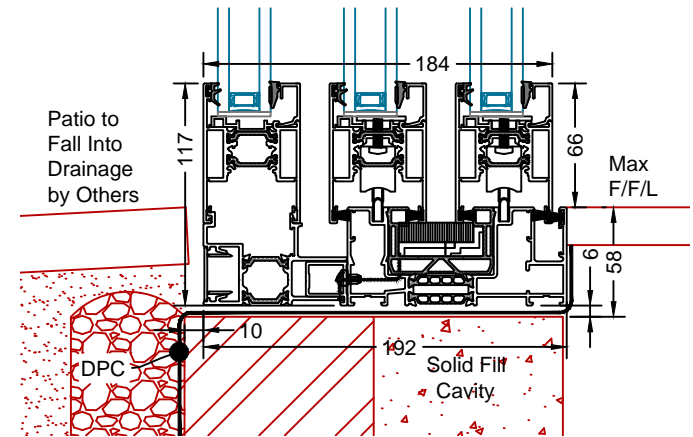
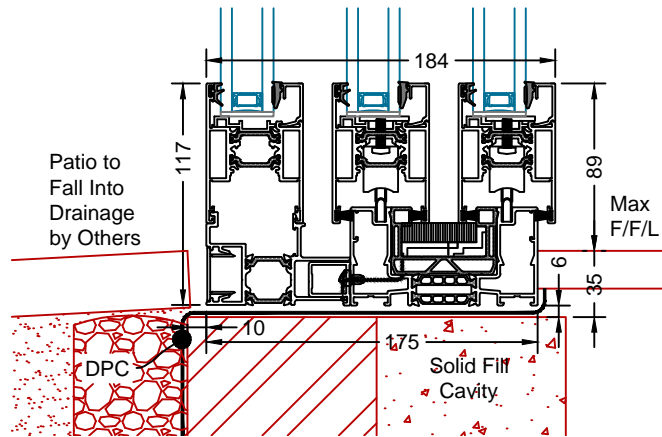
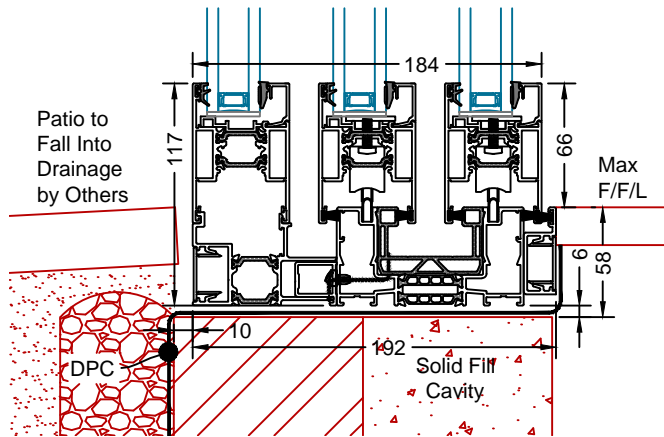
Twin Track
With Flush Internal Profile All Round



Twin Track With
Plant-On Panel
With Internal
Flush Floor Detail

Twin Track with
Plant-on Panel
With Non-Flush
Internal Floor Detail

Twin Track With
Plant-on Panel
With Flush Internal Profile All Round

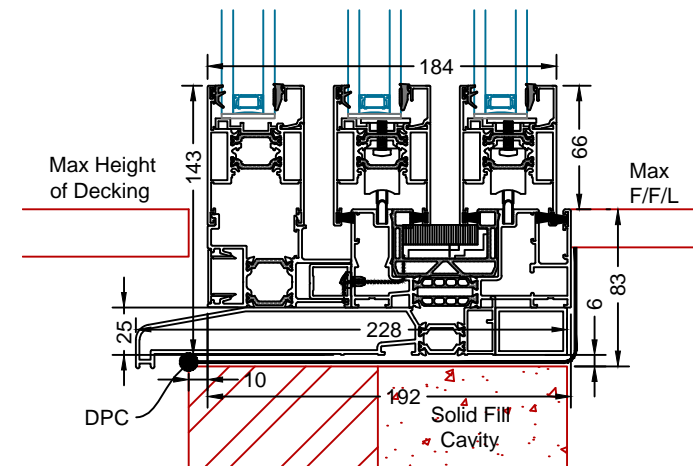
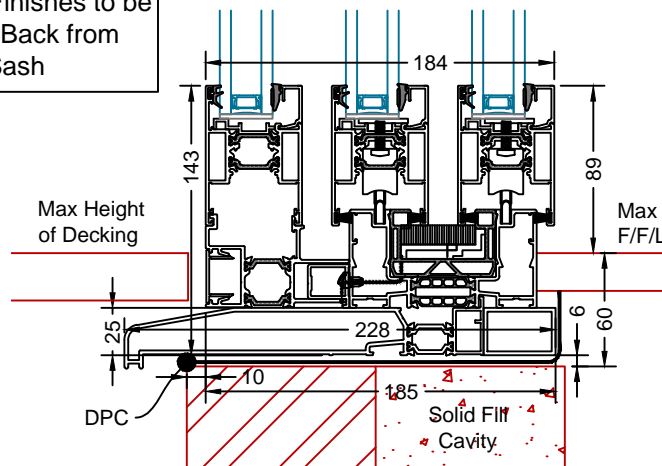
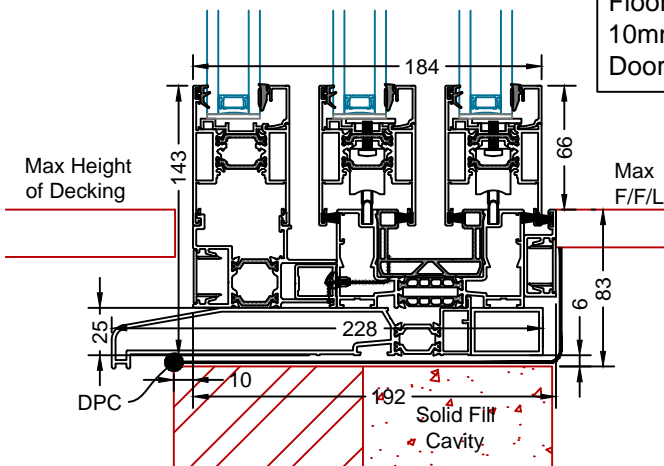


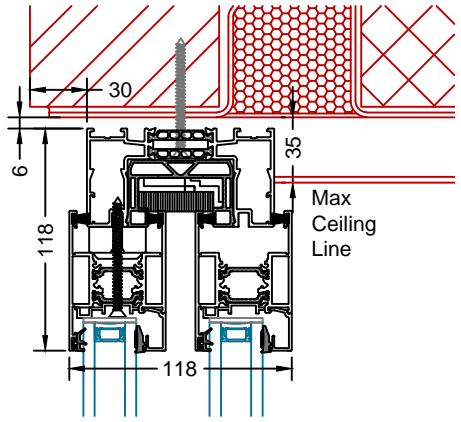
Twin Track with
Plant-on Panel
With Internal
Flush Floor Detail

Twin Track with
Plant-on Panel
With Non-Flush
Internal Floor Detail

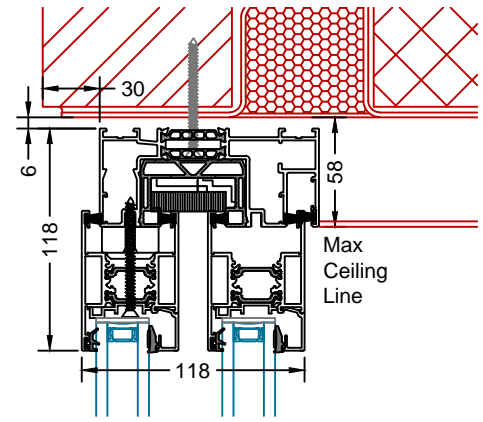
Twin Track With
Plant-on Panel
With Flush Internal Profile All Round

Note: All External
Floor Finishes to be
10mm Back from
Door Sash

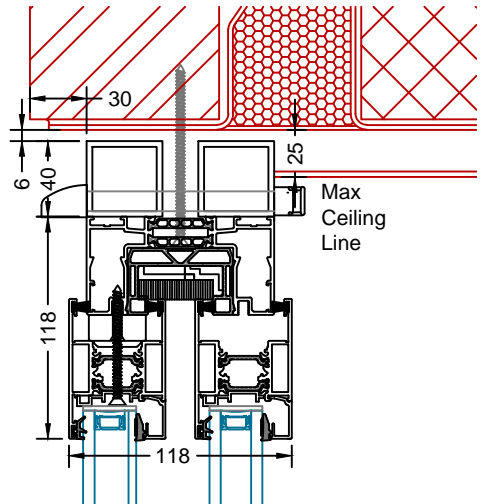




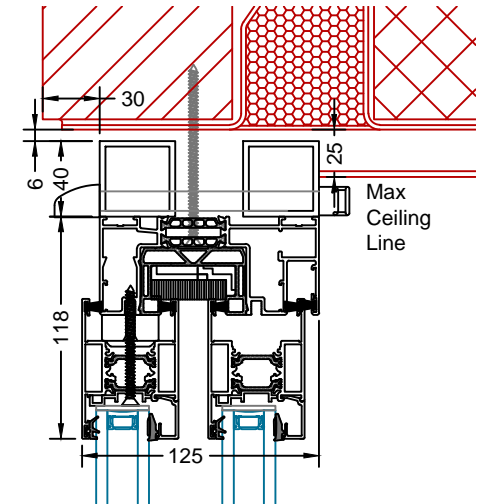
Twin Track



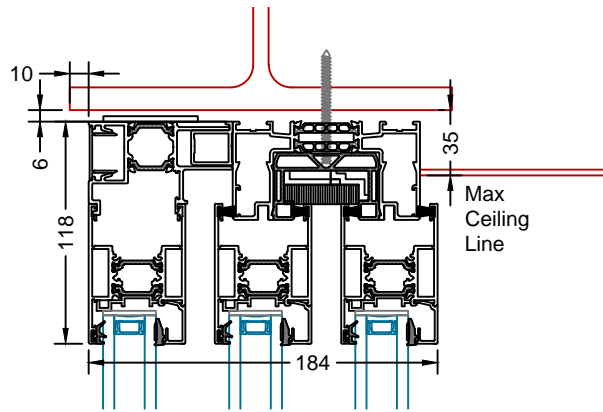
Twin Track
With Flush Internal Profile All Round



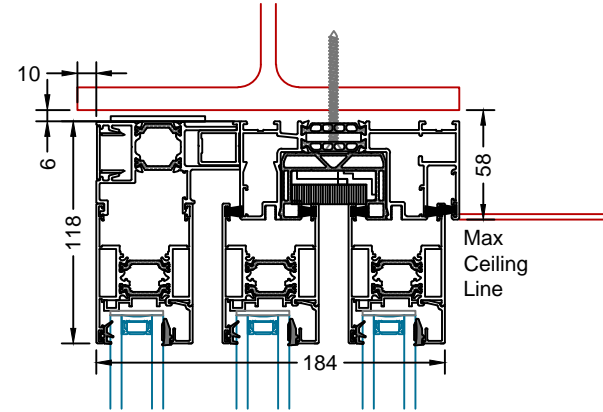
Twin Track
With Trickle Vent



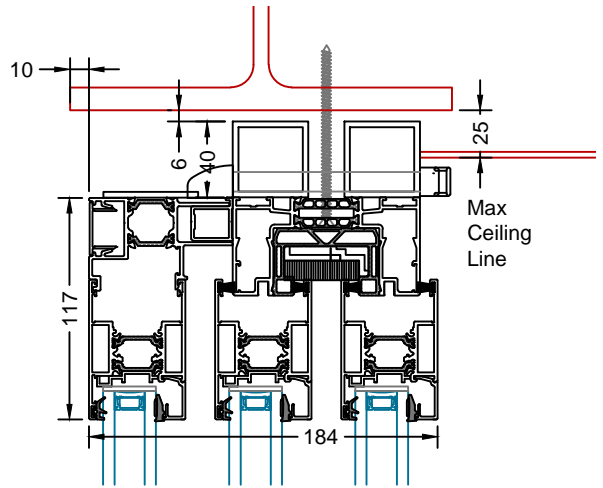
Twin Track
With Flush Internal Profile All Round
And Trickle Vent



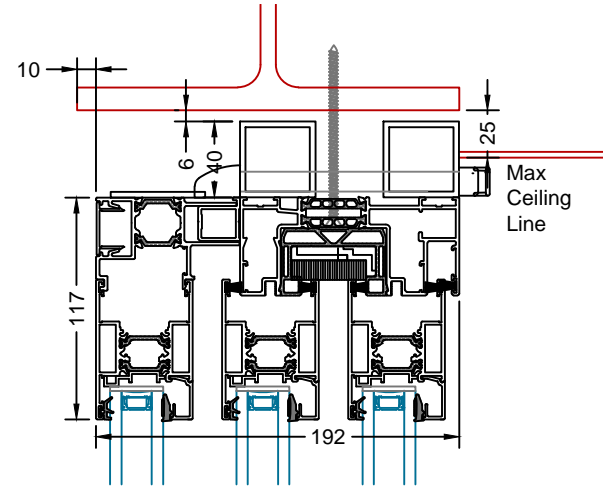
Twin Track with
Plant-on Panel



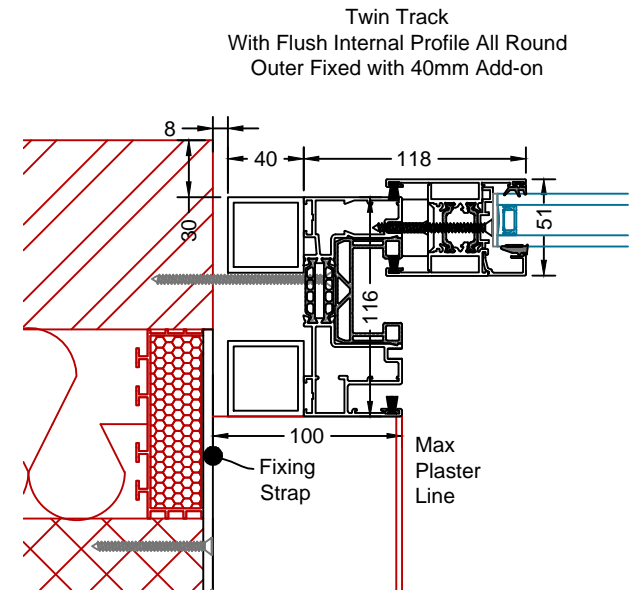
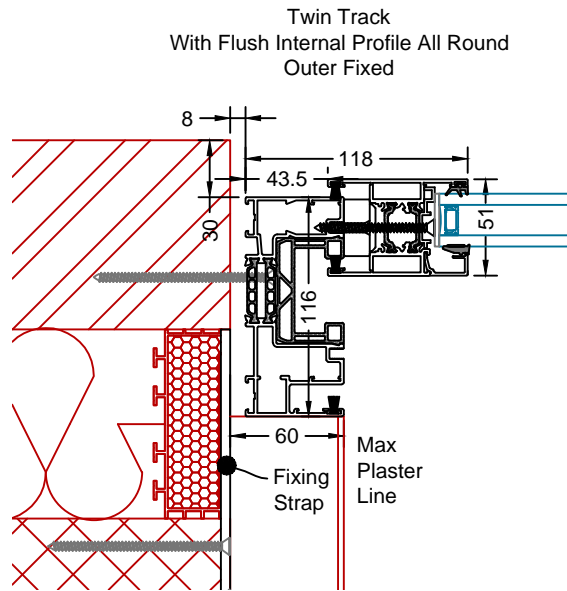
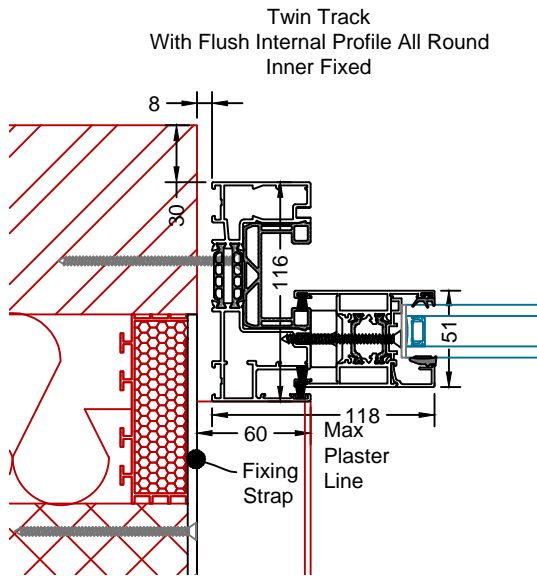
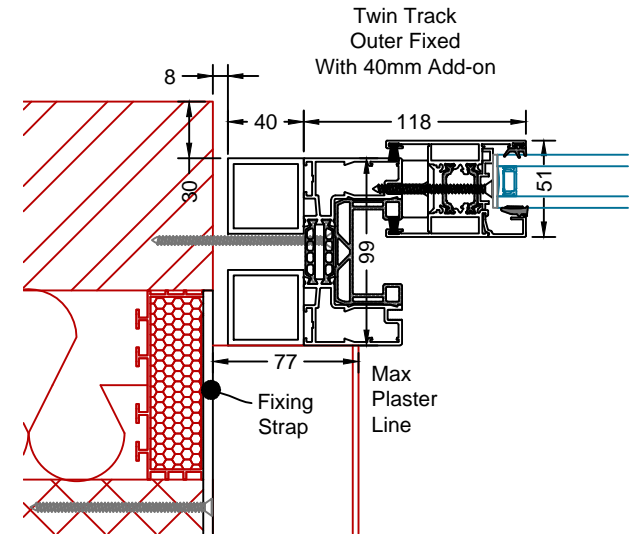
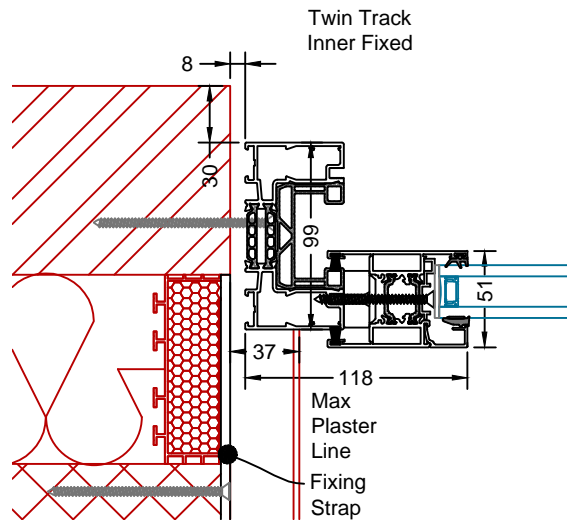
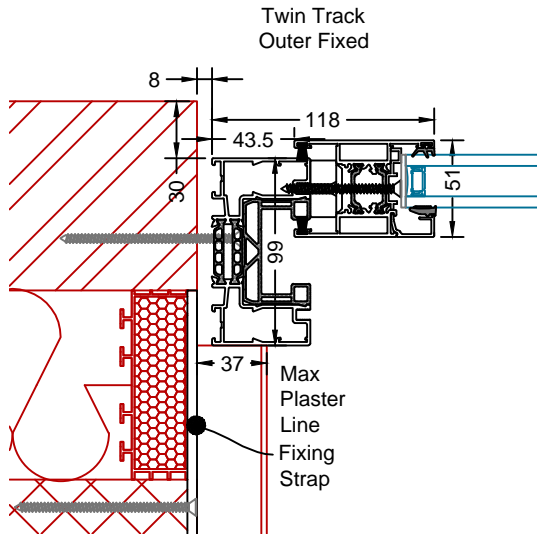
Twin Track And Plant-on Panel
With Flush Internal Profile All Round



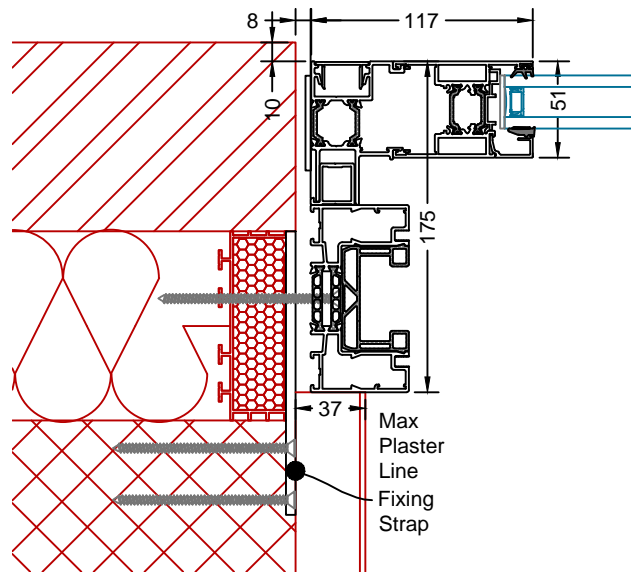
Twin Track And Plant-on Panel
With Trickle Vent



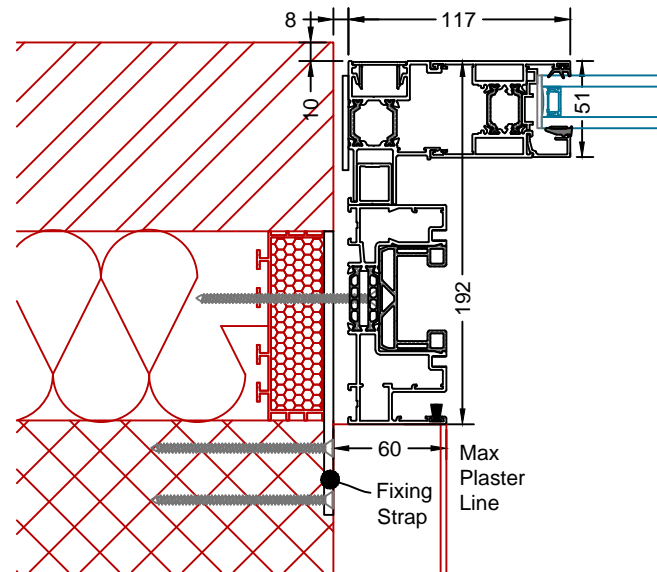
Twin Track And Plant-on Panel
With Flush Internal Profile All Round
And Trickle Vent



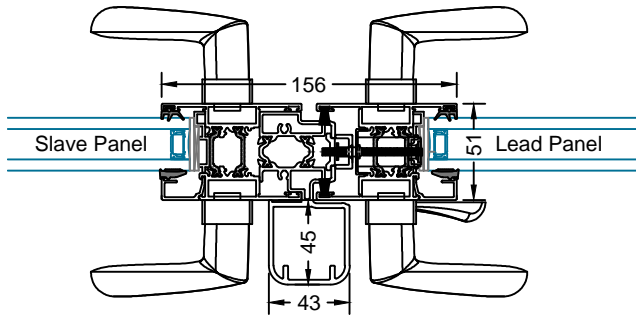
Twin Track with
Plant-on Panel



Twin Track And Plant-on Panel
With Flush Internal Profile All Round

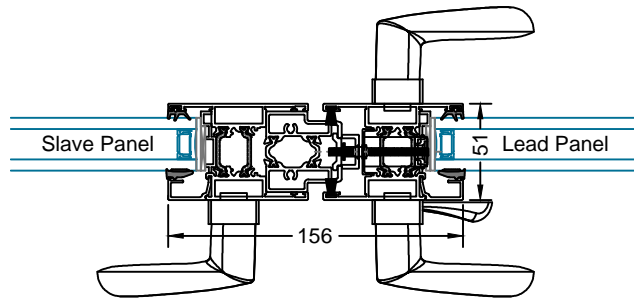


Centre Meeting
Closing Rebate
Reinforcement Profile
(‘D’ Shaped Handle Only)

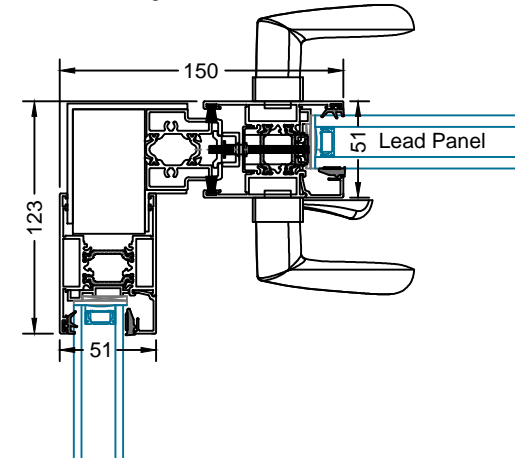


May Be Required In
Exposed Locations

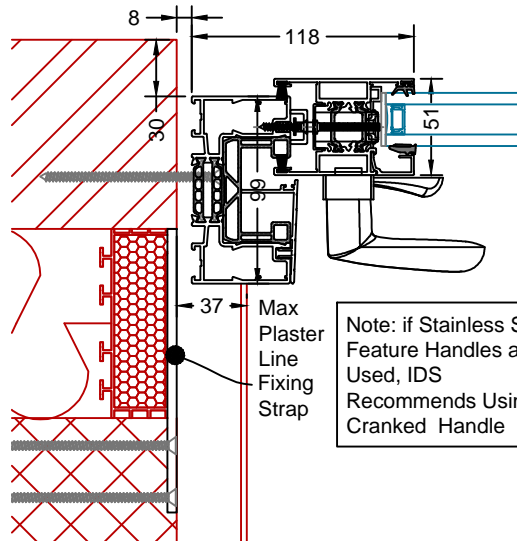
Centre Meeting
Closing Rebate



Centre Meeting
Closing Rebate 90°

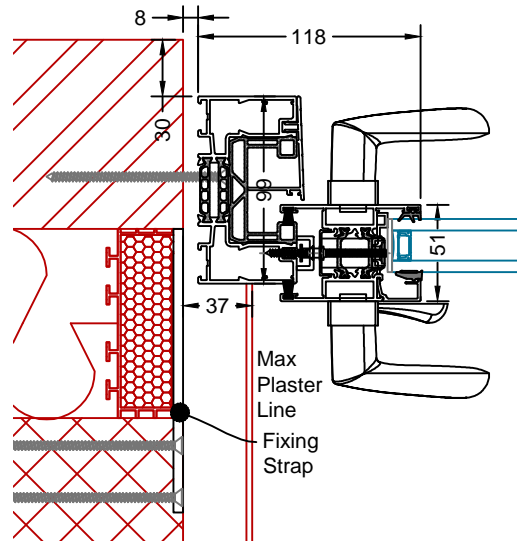


Twin Track
Outer Sliding

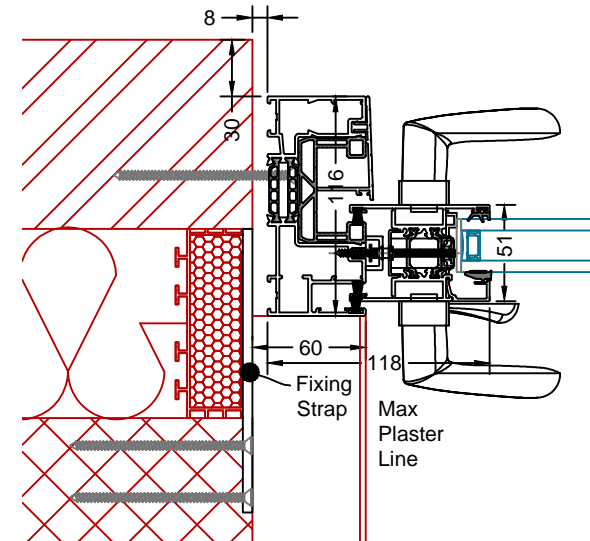


Note: if Stainless Steel
Feature Handles are
Used, IDS
Recommends Using The
Cranked Handle

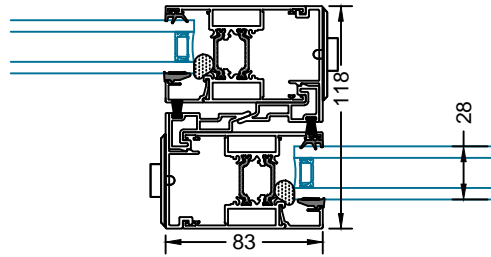
Twin Track
Inner Sliding



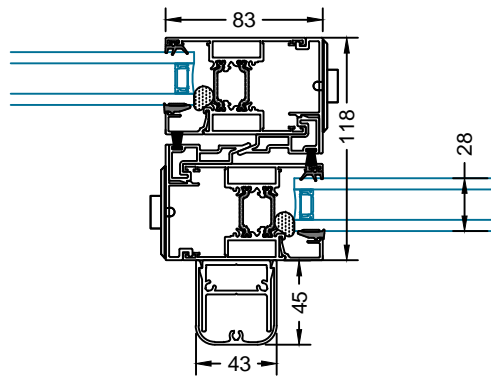
Twin Track
With Flush Internal Profile All Round
Inner Sliding



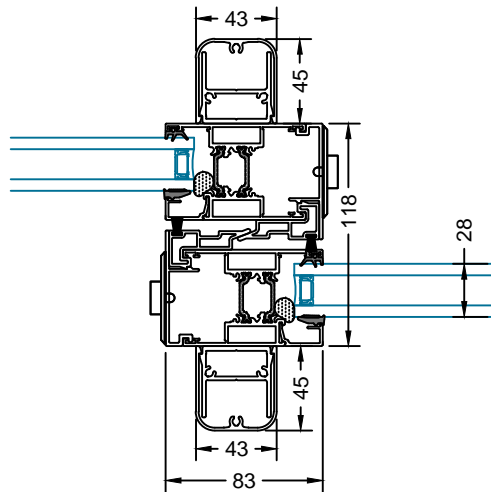
For Profile Limitations,
See Section E



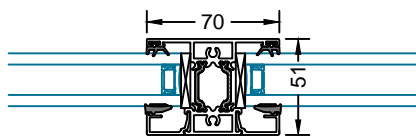
Standard Mullion



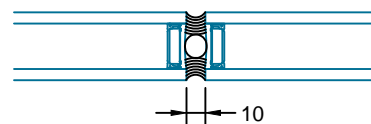
Standard Mullion
with Internal Reinforcement



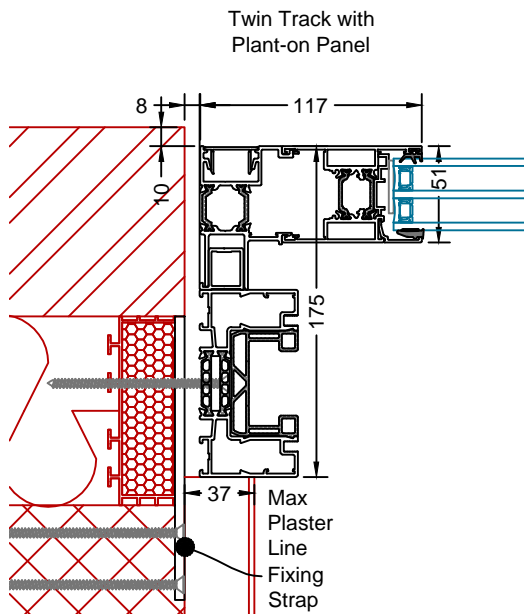
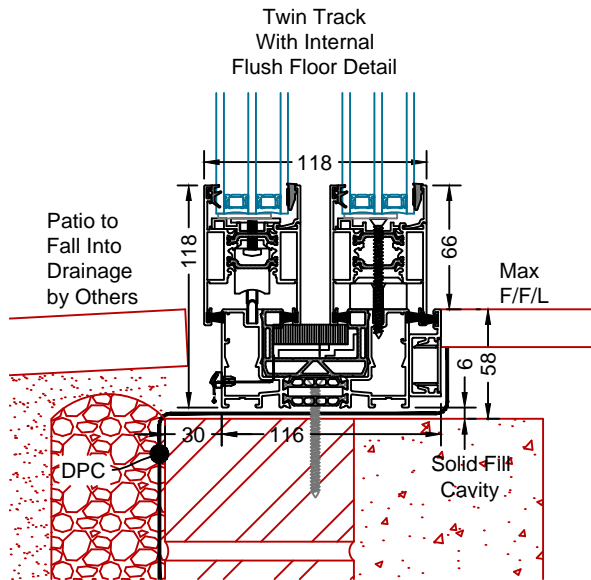
Standard Mullion
with Internal and External
Reinforcement



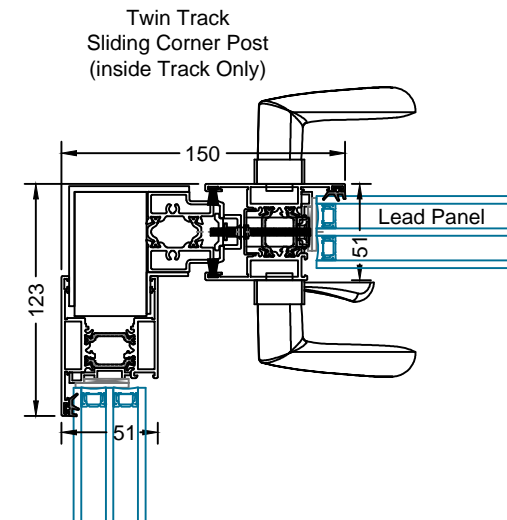
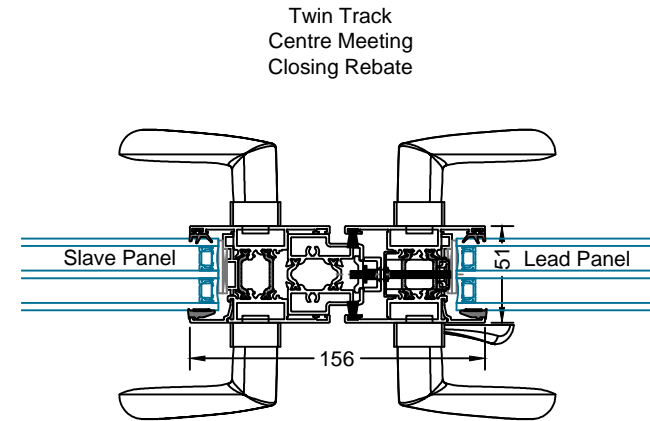
Door Sash
Mullion / Transom



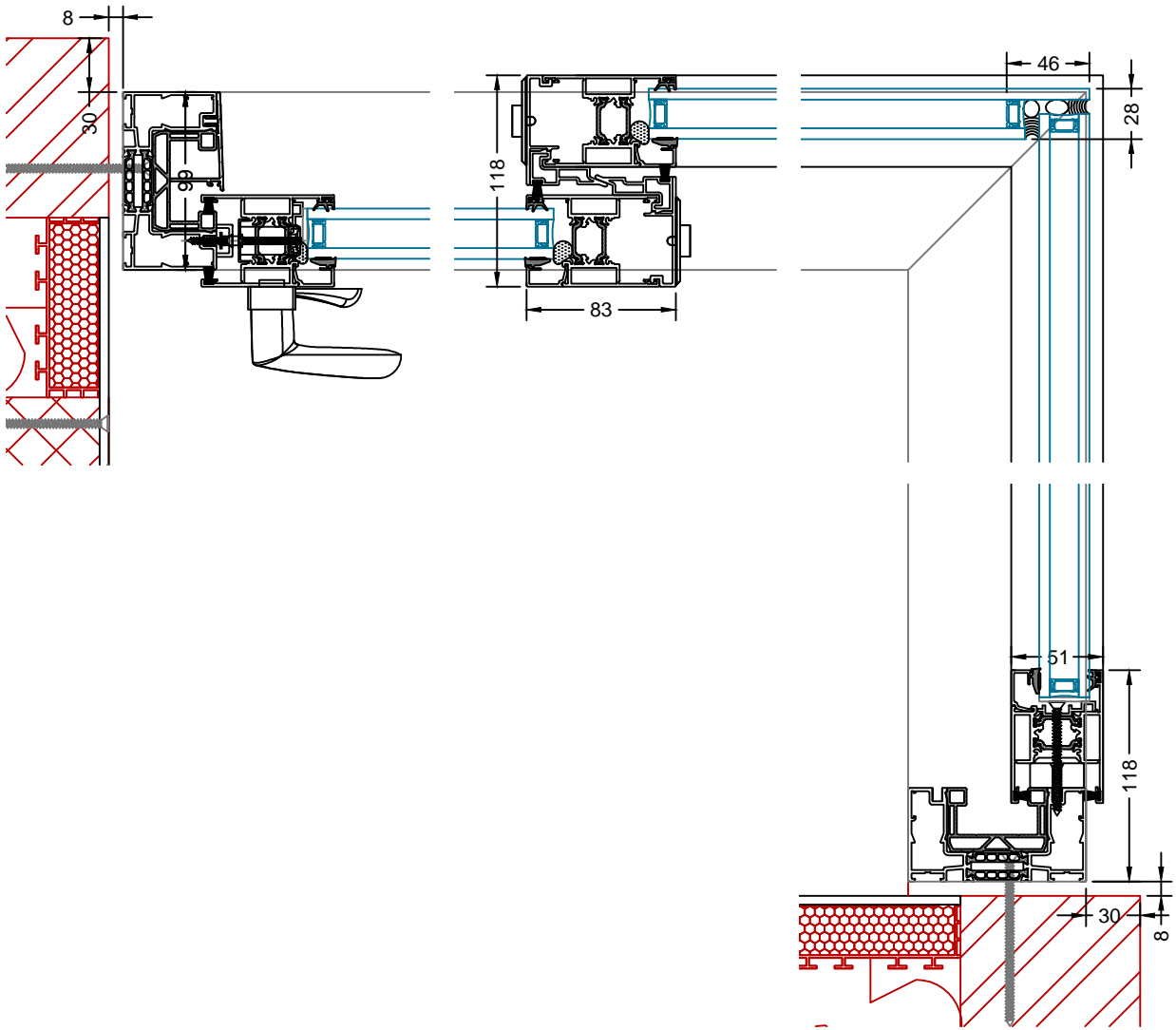
In-Line Glass to Glass Joint



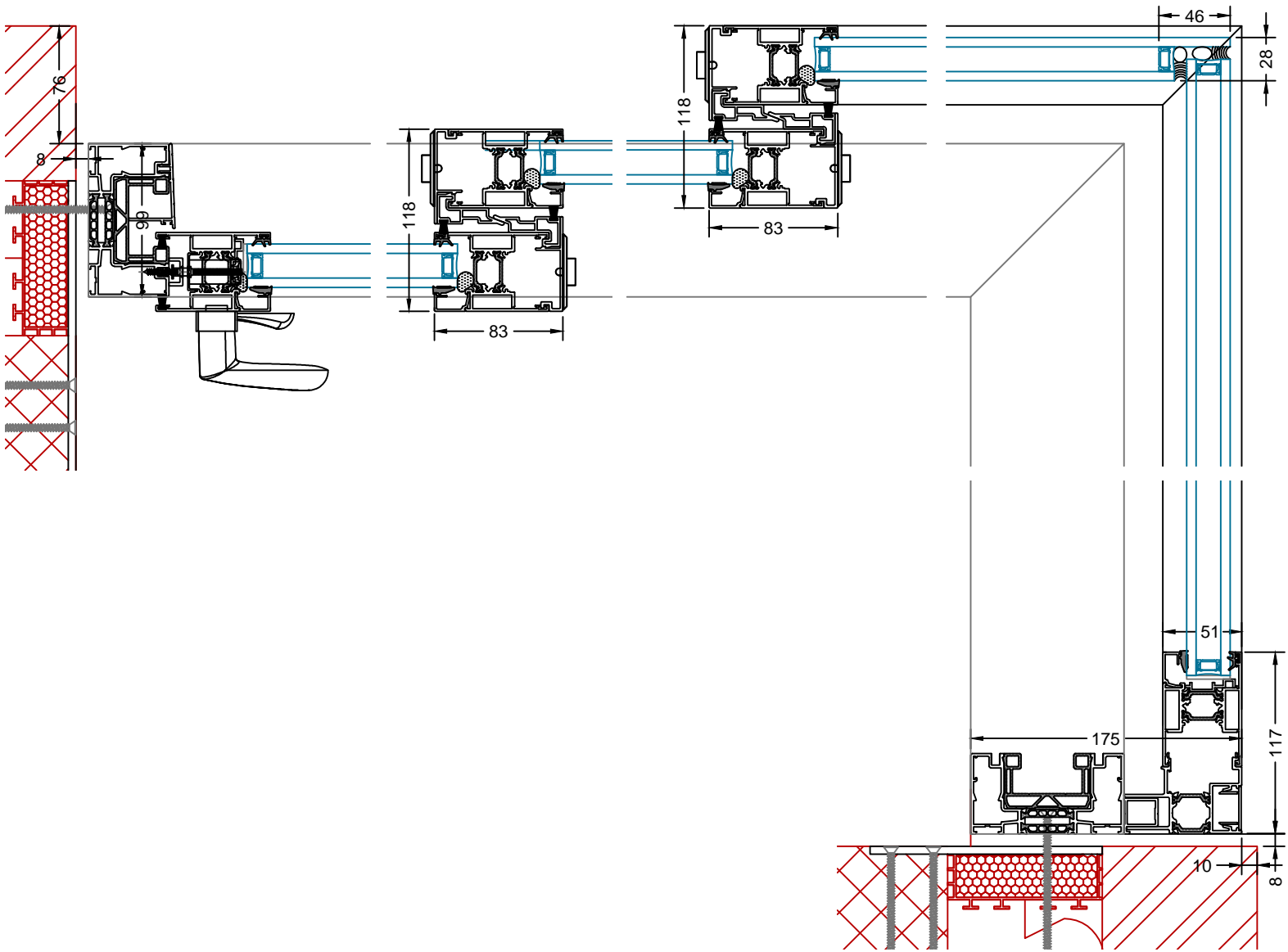
Note: All Previous Details are Available in 38mm Triple Glazed



Glass to Glass
Corner



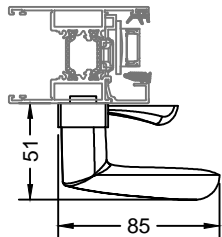
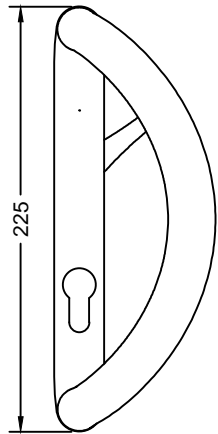
Glass to Glass
Corner with Plant-on



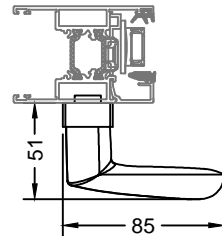
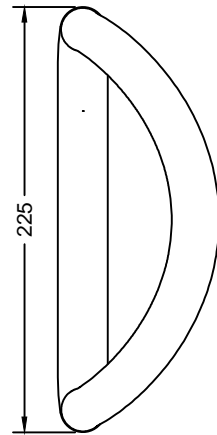
GRAND SLIDER II (Twin Track)

HARDWARE OPTIONS

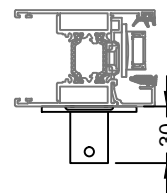
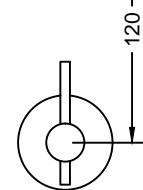
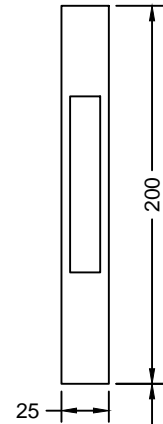
'D' Shaped Handle
With Keylock



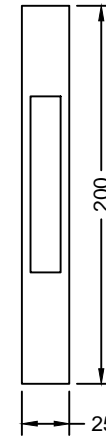
'D' Shaped Handle
Without Keylock



Recessed Handle
Lead Panel

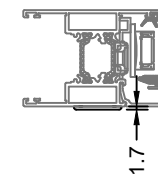


Recessed Handle
Slave Panel

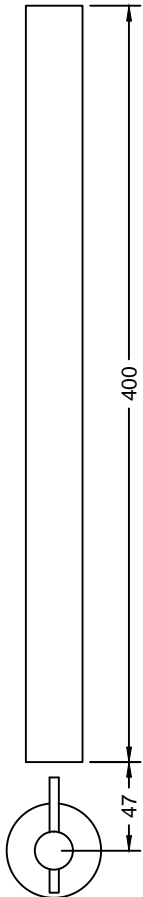


Snib Turn
(stainless Steel Finish Only)

Escutcheon
(stainless Steel Finish Only)



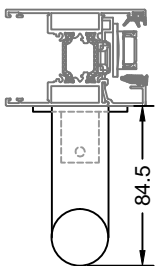
Straight Handle
With Keylock



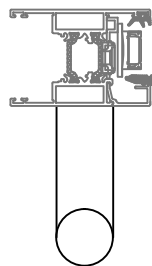
Snib Turn
(stainless Steel Finish Only)



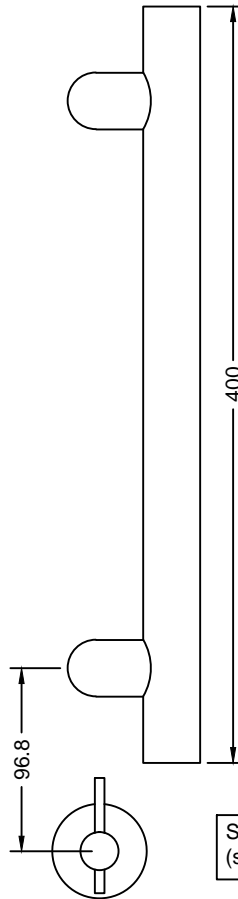
Escutcheon
(stainless Steel Finish Only)



Straight Handle
Without Keylock



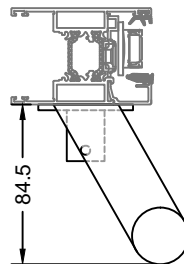
Cranked Handle
With Keylock



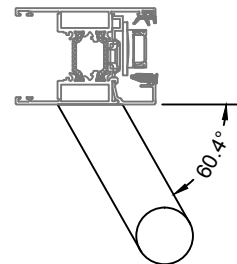
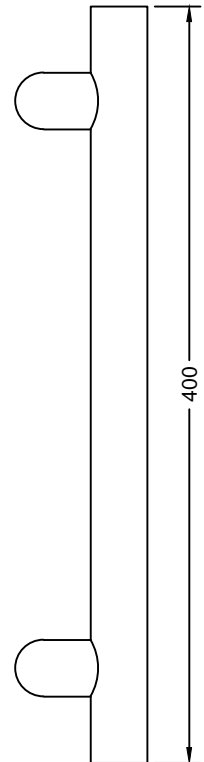
Snib Turn
(stainless Steel Finish Only)



Escutcheon
(stainless Steel Finish Only)

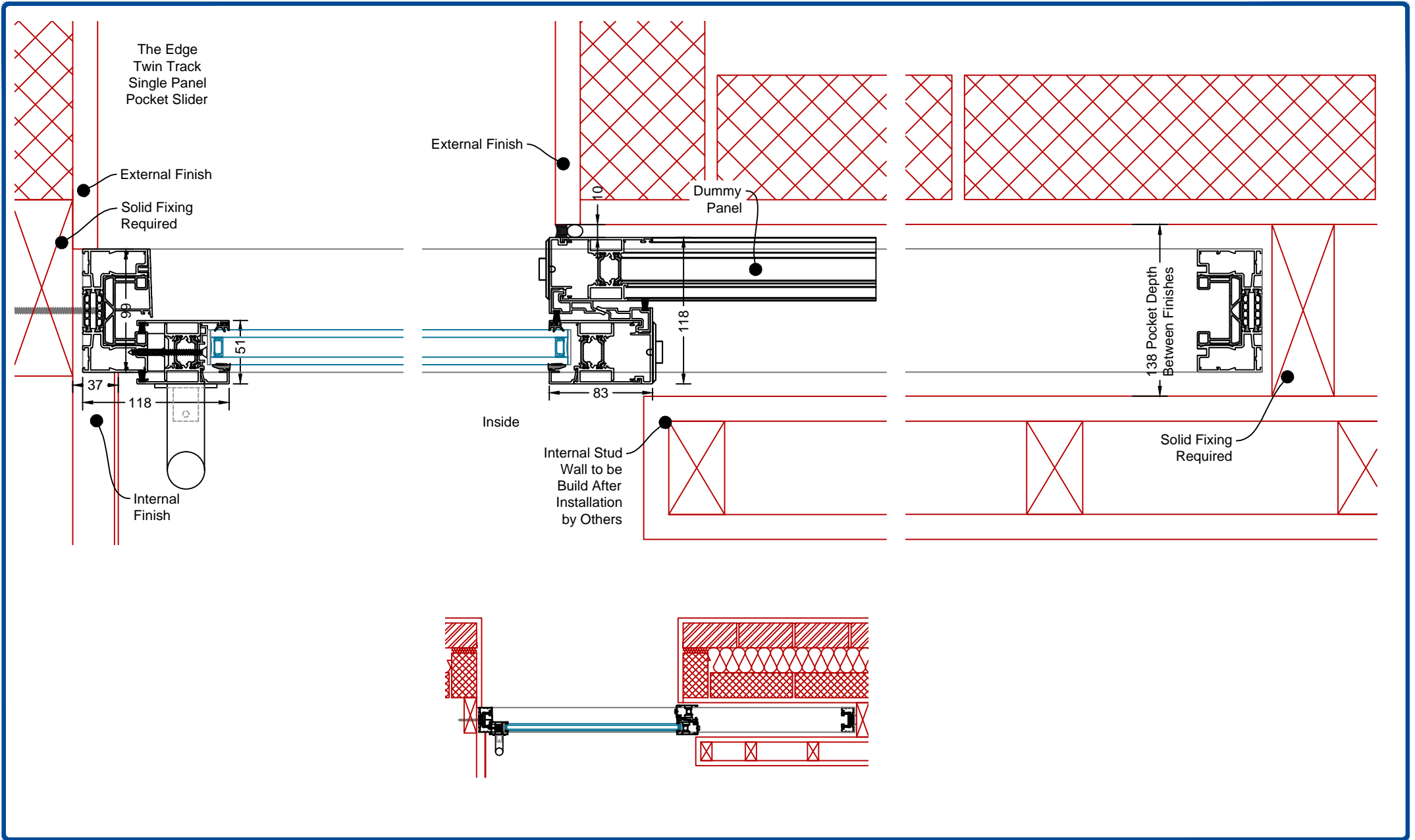


Cranked Handle
Without Keylock



GRAND SLIDER II (Twin Track)

POCKET SLIDER TYPICAL SECTIONS



Description: Grand Slider II Twin Track Single Panel Pocket Typical Detail

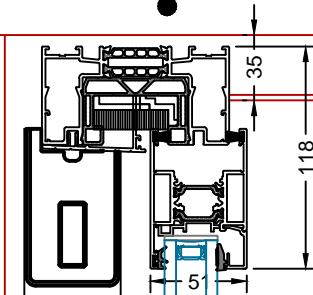
System: IDS99

Rev.

Page: C02

A

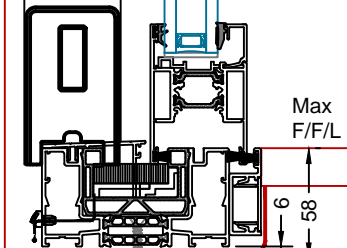
Solid Fixing
Required



Dummy
Panel

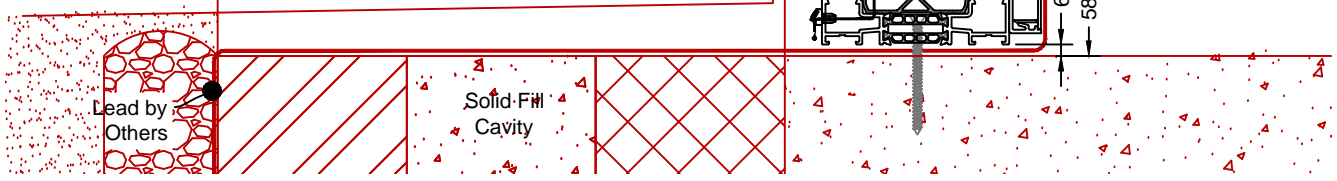
Patio to
Fall Into
Drainage
by Others

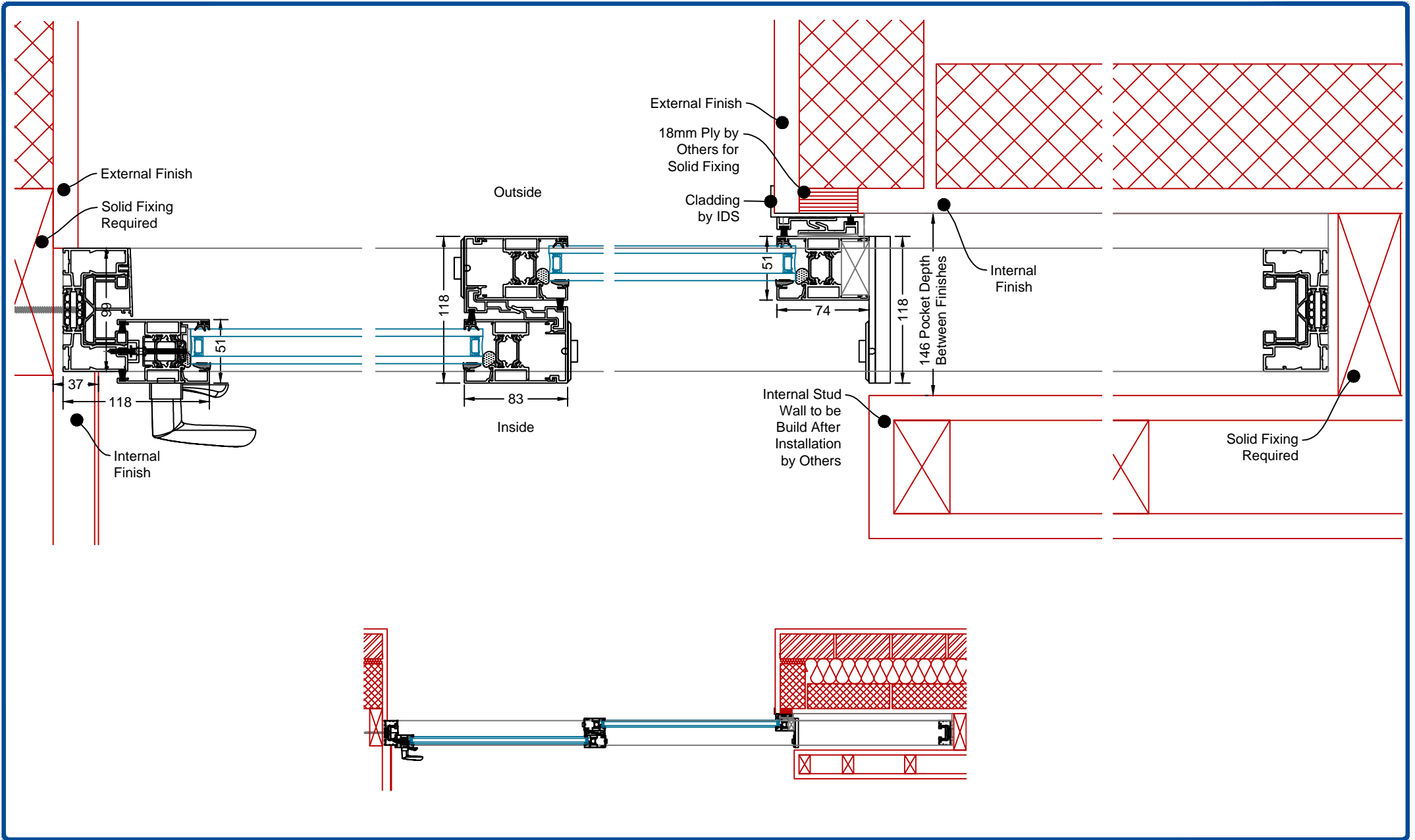
Max
F/F/L



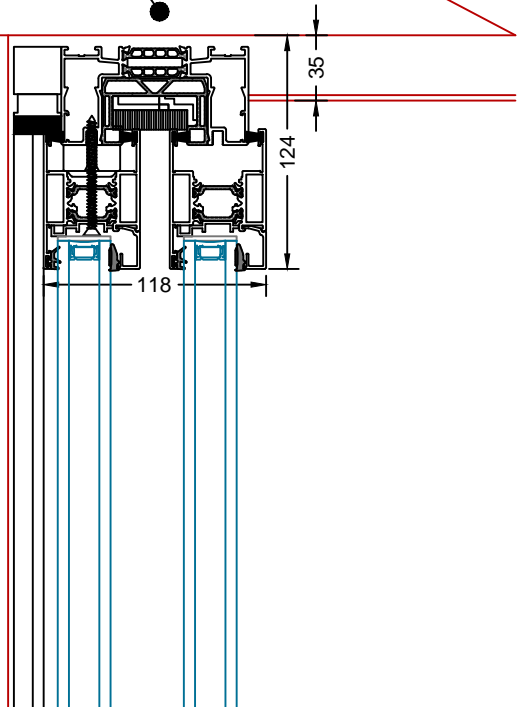
Lead by
Others

Solid-Fill
Cavity

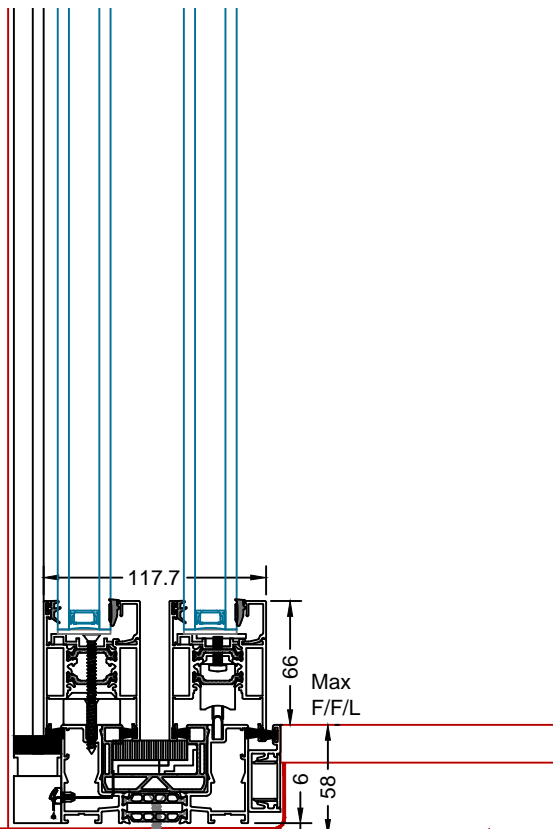




Solid Fixing
Required



Patio to
Fall Into
Drainage
by Others



Lead by
Others

Solid-Fill
Cavity

Description: Grand Slider II Twin Track Pocket Typical Detail

System: IDS99

Rev.

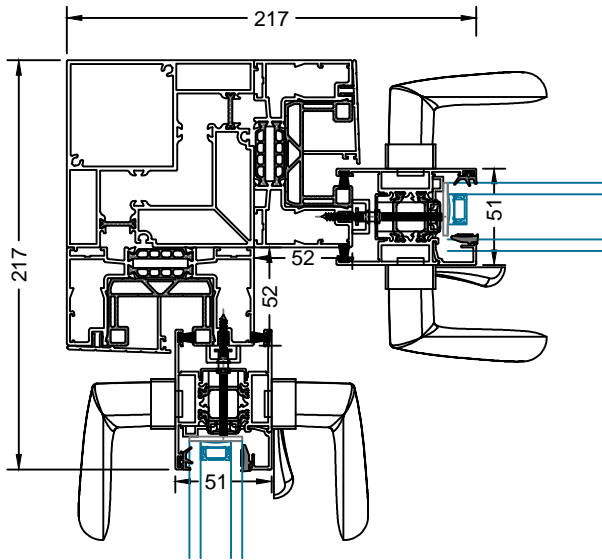
Page: C06

A

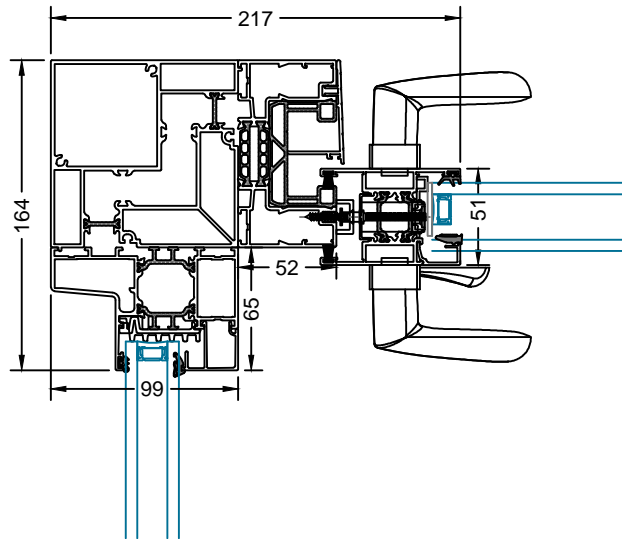
GRAND SLIDER II (Twin Track)

COUPLING DETAILS

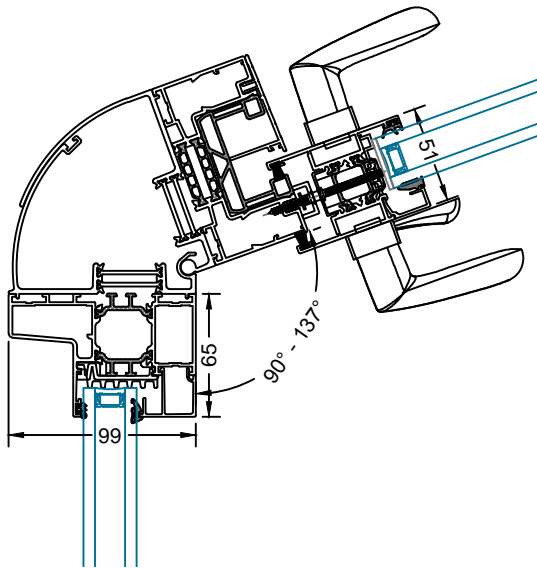
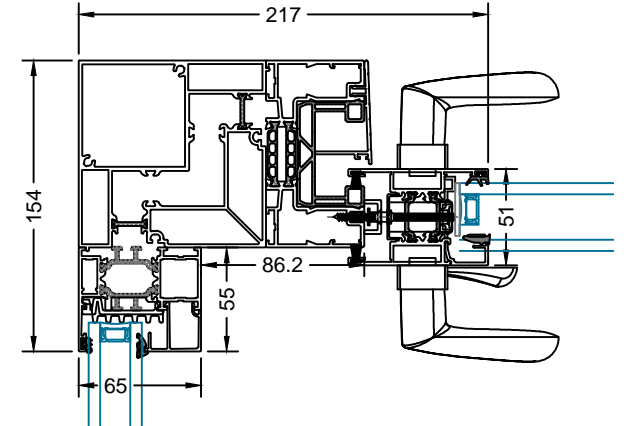
Twin Track
Fixed Corner Post



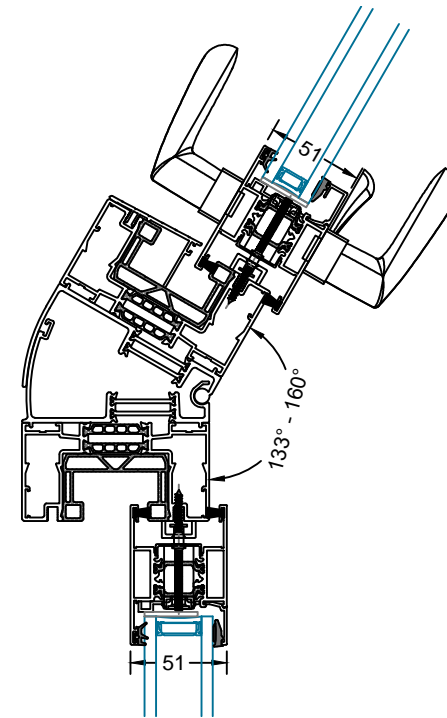
Twin Track
and ECO99
Fixed Corner Post

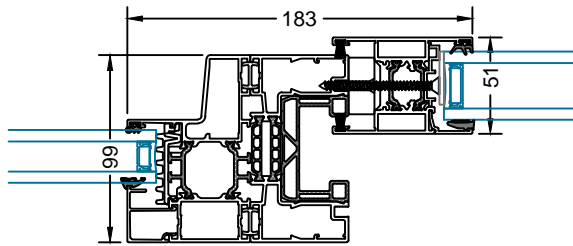


Twin Track
And ECO65
Fixed Corner Post

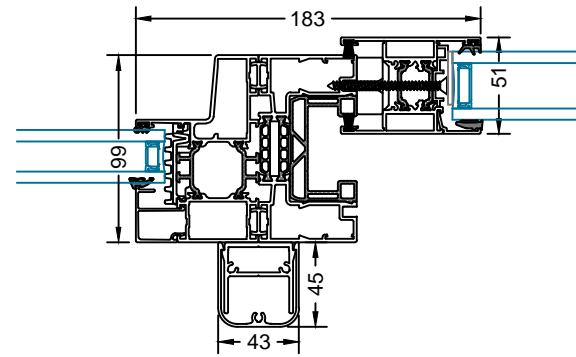


Note: IDS Corner Posts Are NOT Designed to Offer Support To The Building Structure

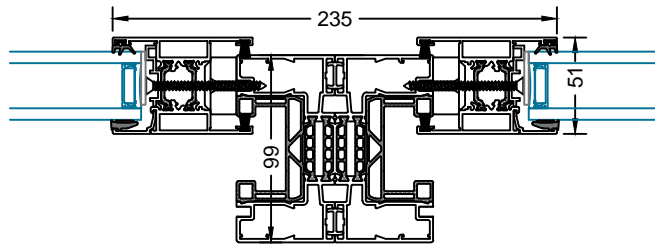




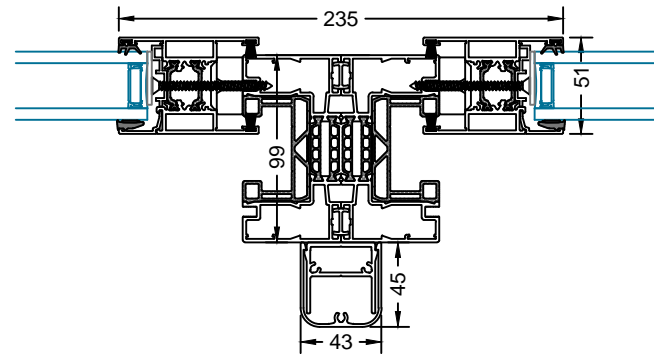
Fixed Frame/Slider
Standard



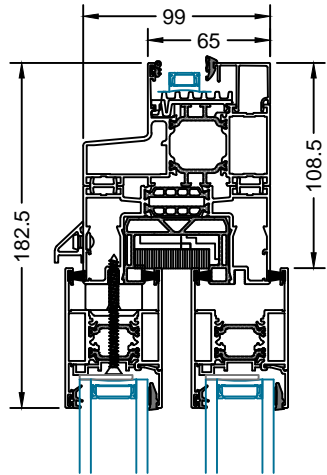
Fixed Frame/Slider
Heavy Duty



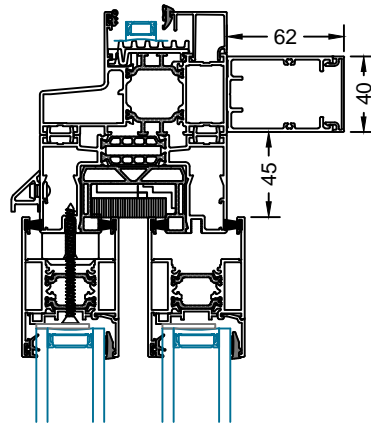
Slider/Slider
Standard



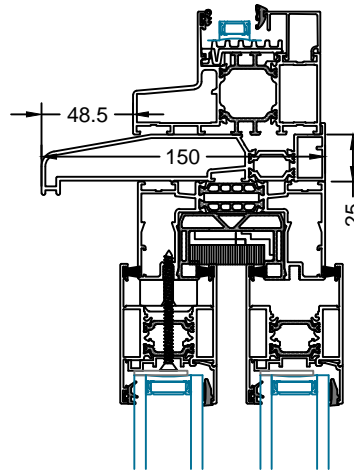
Slider/Slider
Heavy Duty



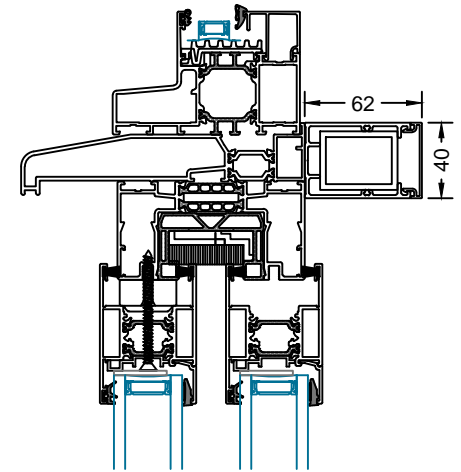
Standard



Heavy Duty



Heavy Duty For More Exposed Locations

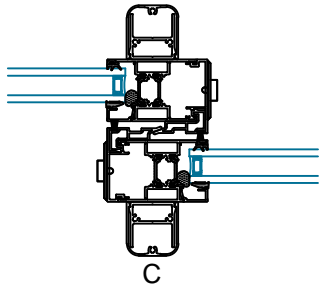


Heavy Duty For Extra Wide Openings

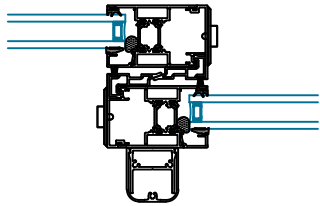
For Profile Limitations,
See Section E

GRAND SLIDER II (Twin Track)

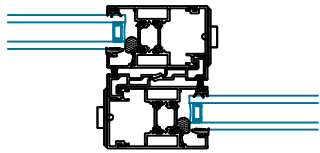
STATICS



C



B

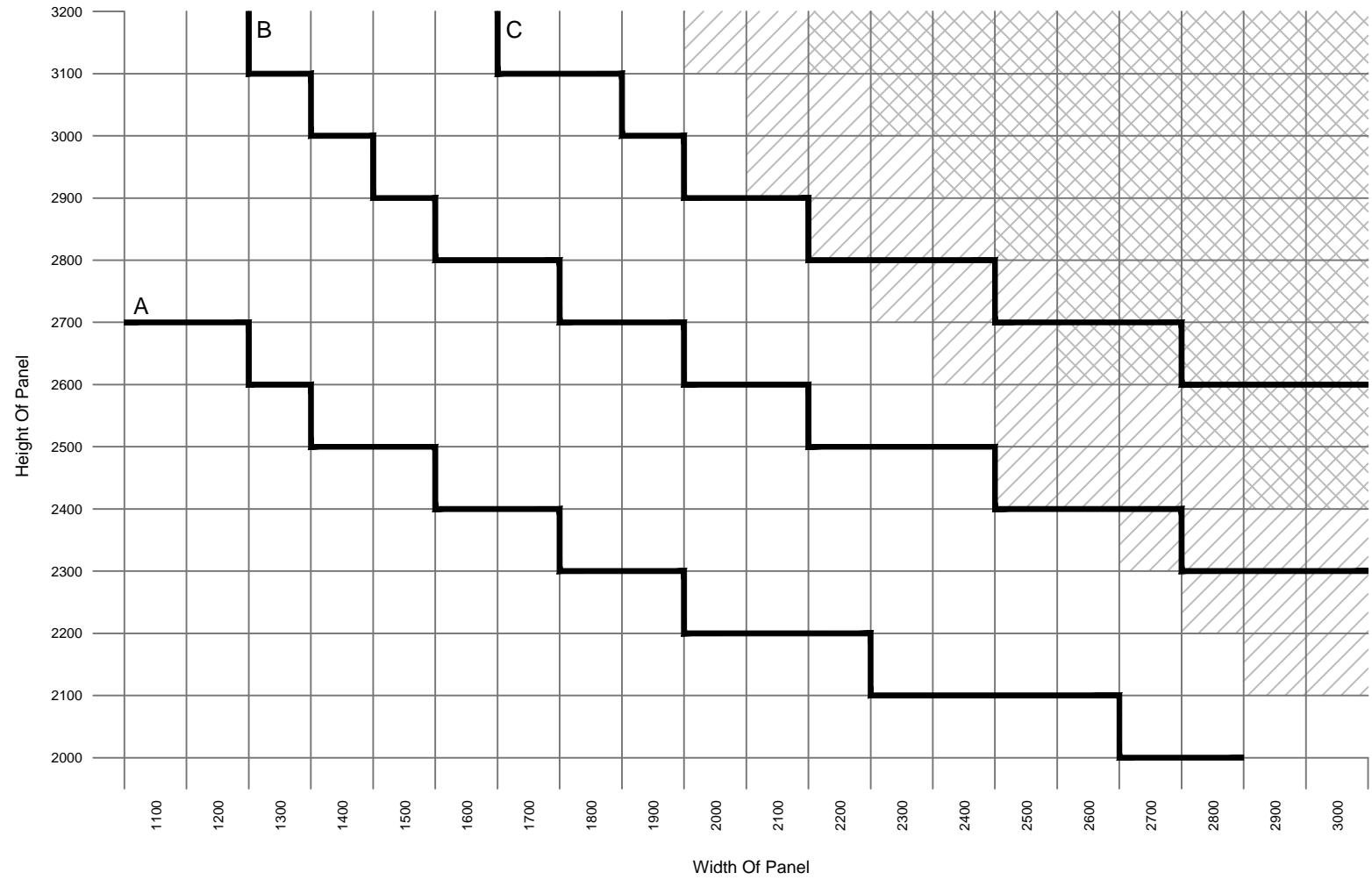


A

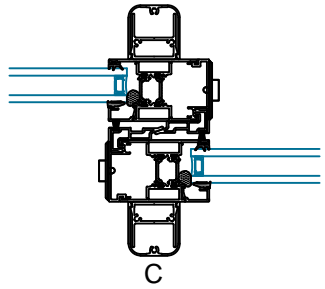
Panel Weight 250-350kg*
Reinforced Track & No Guarantee

350kg+* Not Recommended
No Guarantee

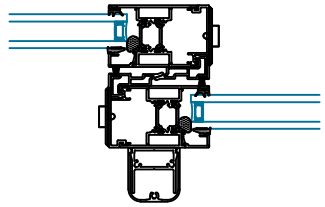
* Weights based on minimum recommended glass thickness



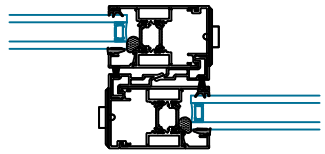
Sheltered Location 750Pa
(eg Central London Ground Floor)





C

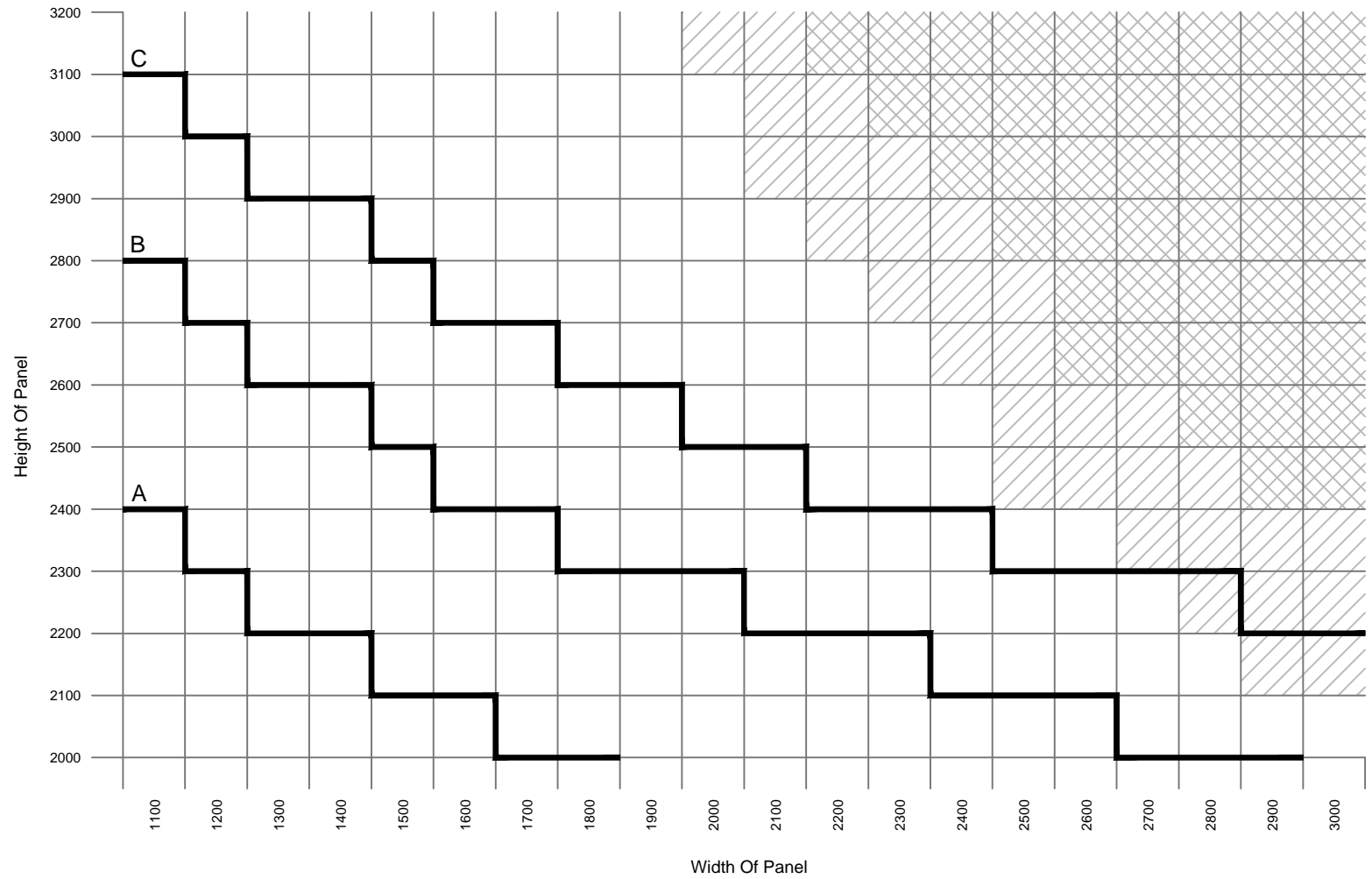


B



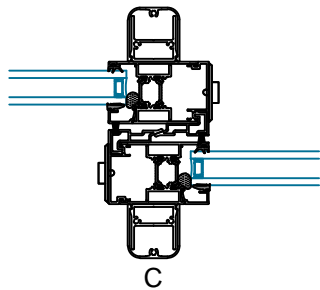
A

-  Panel Weight 250-350kg*
Reinforced Track & No Guarantee
-  350kg+* Not Recommended
No Guarantee

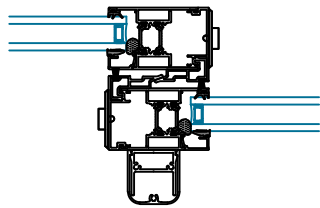


* Weights based on minimum recommended glass thickness


Rural Location 1200Pa
(eg North Yorkshire)



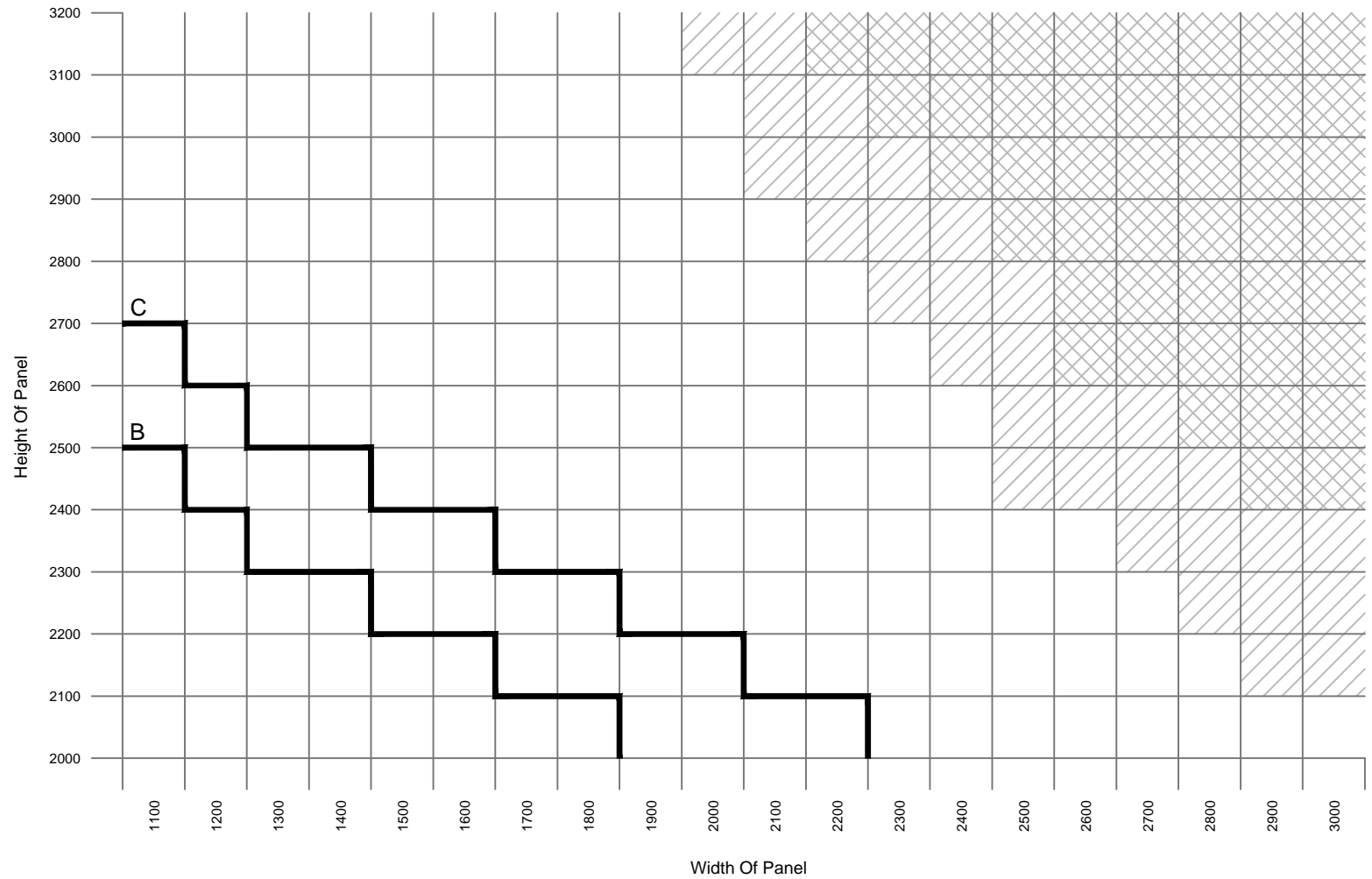
C



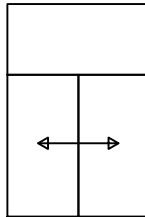
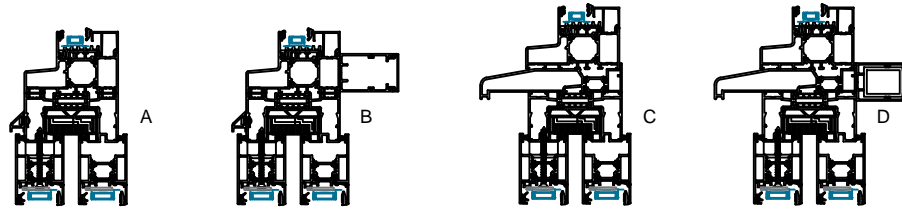
B

-  Panel Weight 250-350kg*
Reinforced Track & No Guarantee
-  350kg+* Not Recommended
No Guarantee

* Weights based on minimum recommended glass thickness

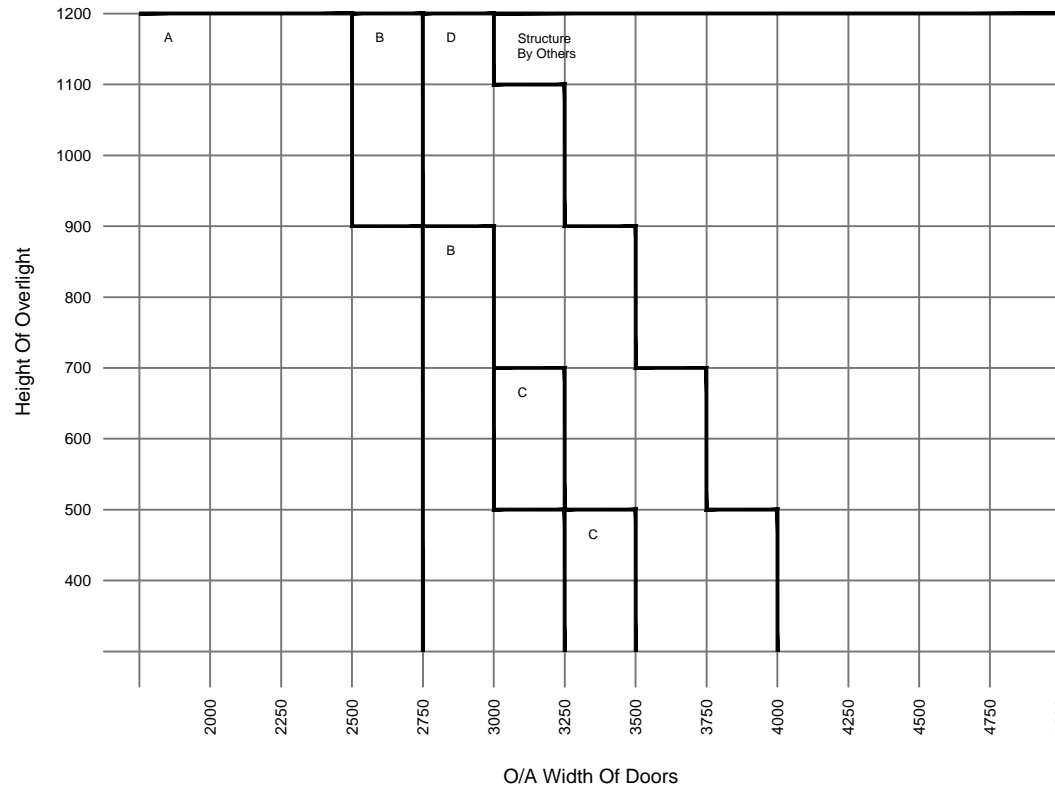


Fully Exposed Location 1700Pa
(eg Rural South Coast)

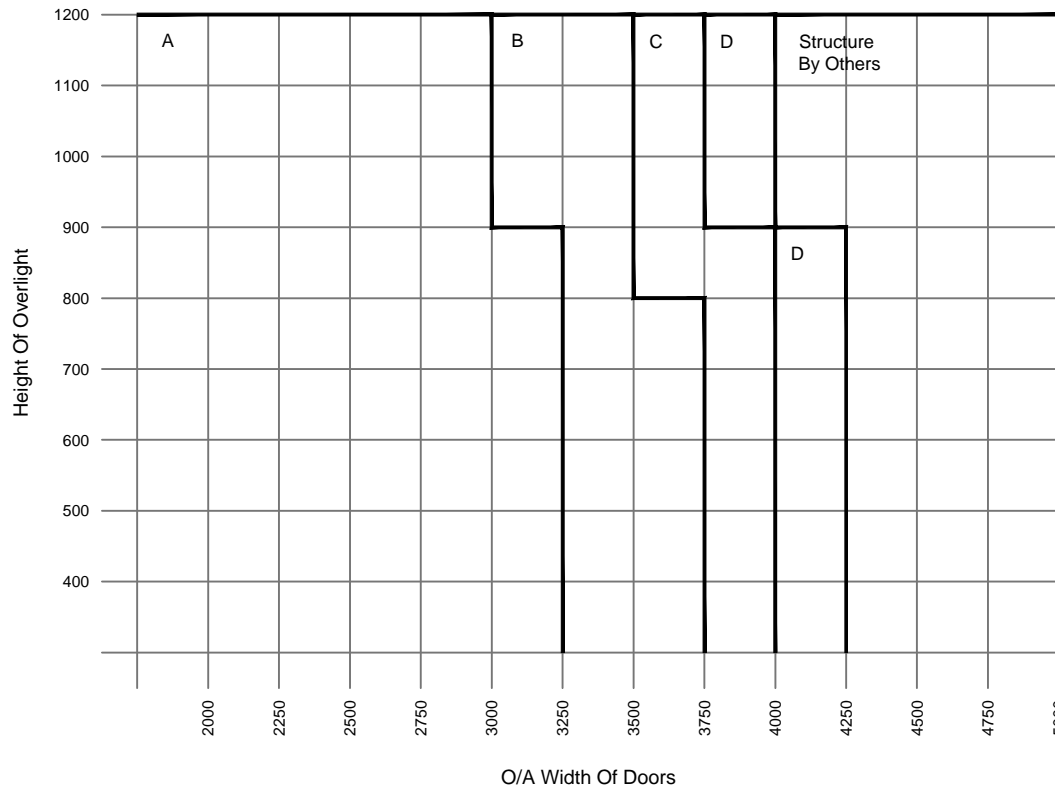
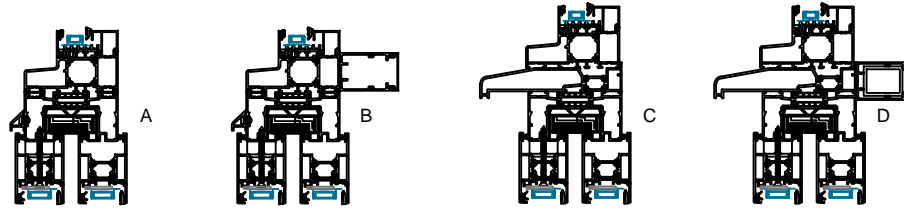
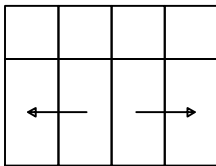
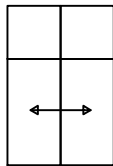
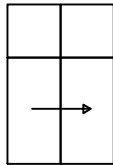
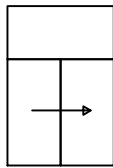


NOTE All calculations assume the following;
 Doors at maximum of 2500mm high.
 Glass in overlights to be maximum 6mm inner and outer panes.
 Openings assumed to be a ground level and not requiring to meet Part K for barrier loading.

If customers design falls outside parameters shown it may still be possible but will need to be confirmed by the Design Office.



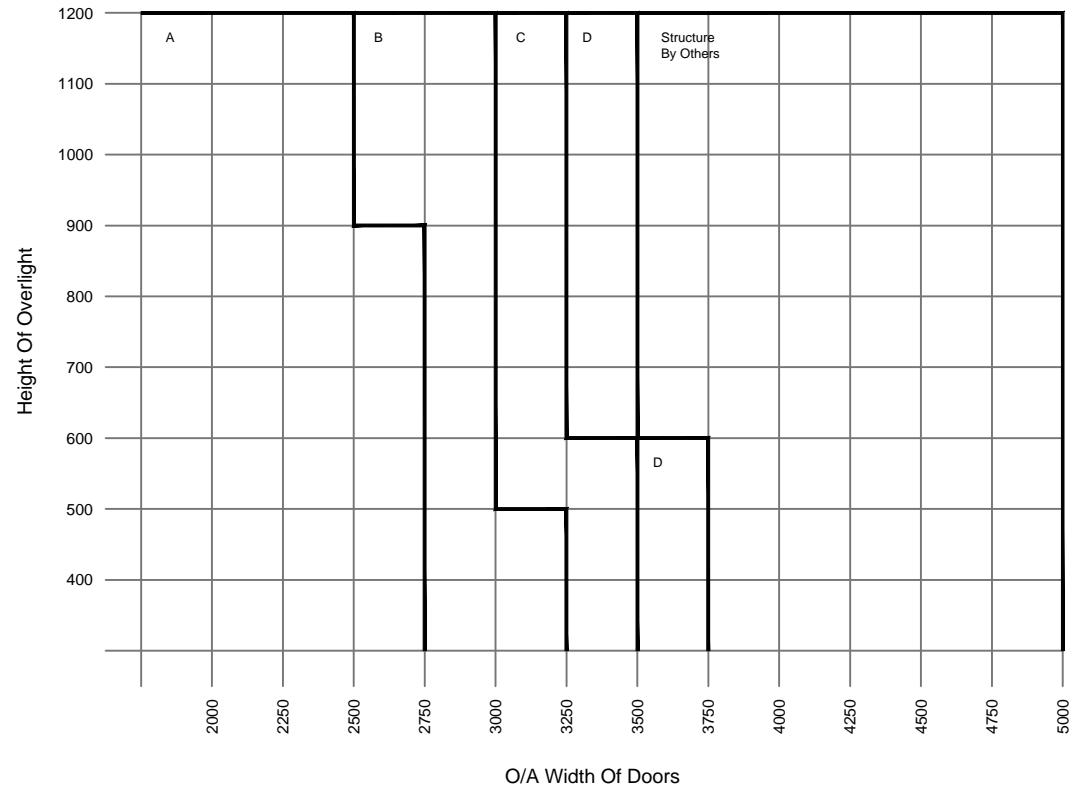
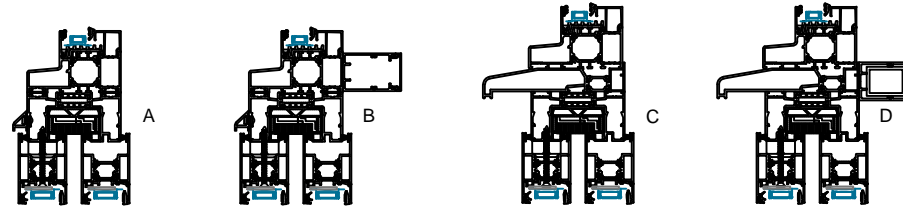
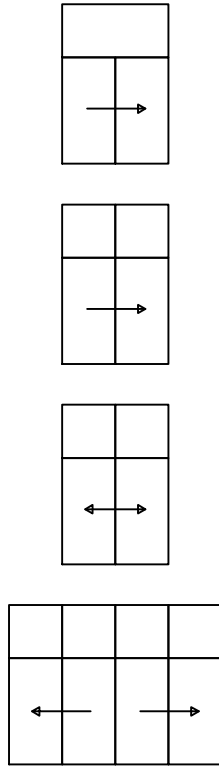
Rural Location 1200Pa
(eg North Yorkshire)



Sheltered Location 750Pa
(eg Central London Ground Floor)

NOTE All calculations assume the following;
Doors at maximum of 2500mm high.
Glass in overlights to be maximum 6mm inner and outer panes.
Openings assumed to be a ground level and not requiring to meet Part K for barrier loading.

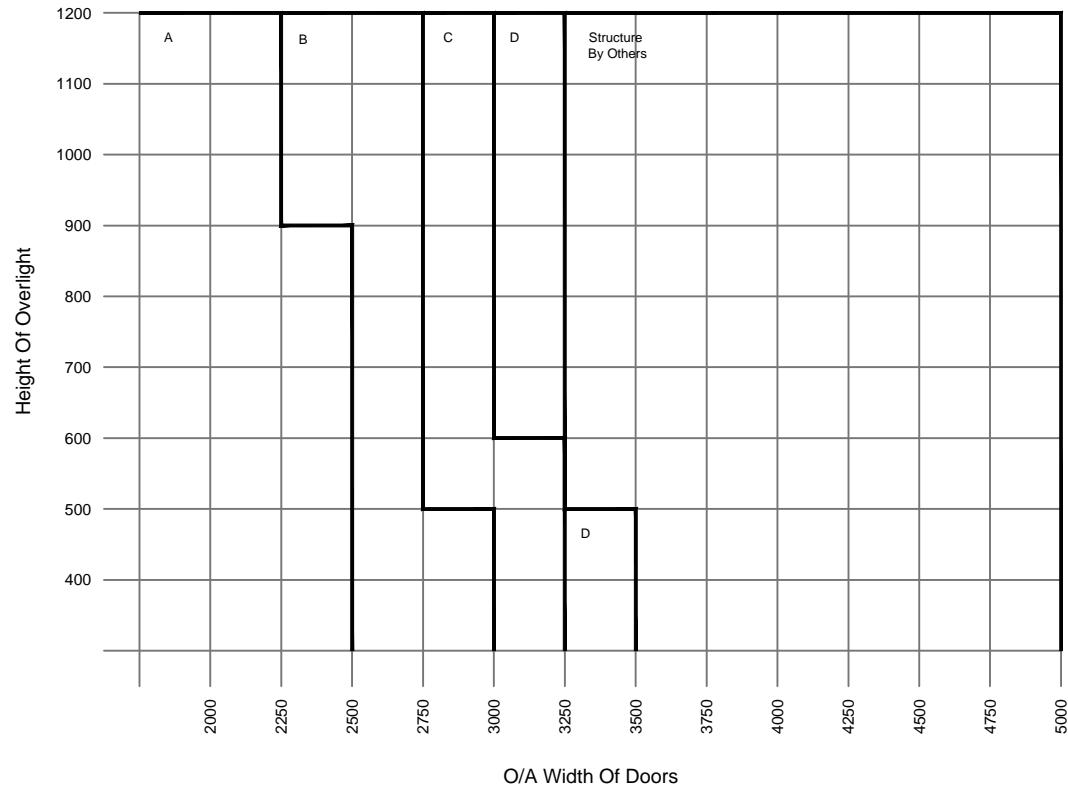
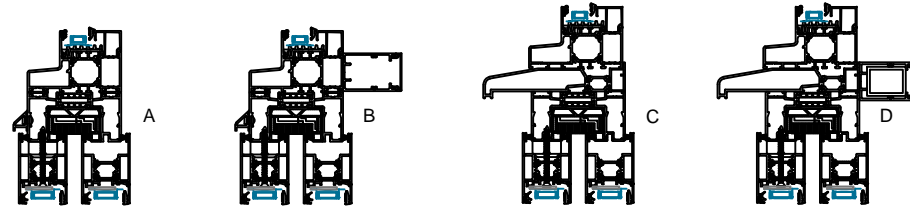
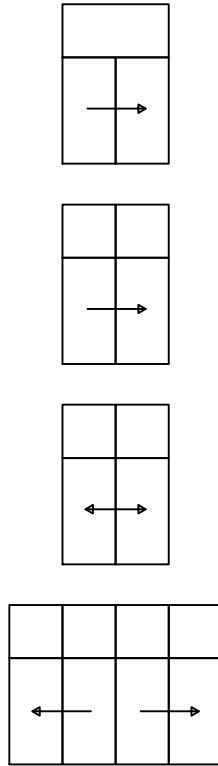
If customers design falls outside parameters shown it may still be possible but will need to be confirmed by the Design Office.



Rural Location 1200Pa
(eg North Yorkshire)

NOTE All calculations assume the following;
 Doors at maximum of 2500mm high.
 Glass in overlights to be maximum 6mm inner and outer panes.
 Openings assumed to be a ground level and not requiring to meet Part K for barrier loading.

If customers design falls outside parameters shown it may still be possible but will need to be confirmed by the Design Office.



Fully Exposed Location 1700Pa
(eg Rural South Coast)

NOTE All calculations assume the following;
Doors at maximum of 2500mm high.
Glass in overlights to be maximum 6mm inner and outer panes.
Openings assumed to be a ground level and not requiring to meet Part K for barrier loading.

If customers design falls outside parameters shown it may still be possible but will need to be confirmed by the Design Office.