

# RetroGrip® Anti Slip Inserts by GripDeck®

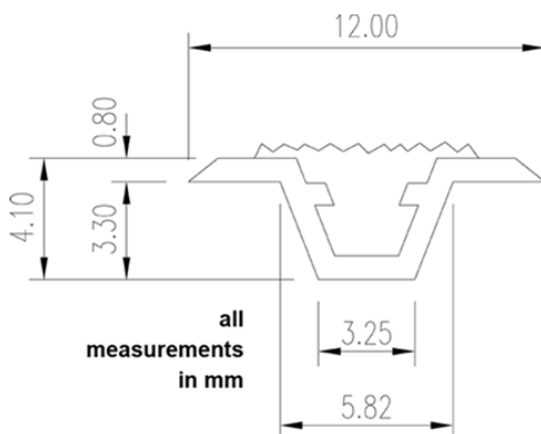
## RetroGrip® Specification

GripDeck Ltd introduces RetroGrip® anti slip inserts, a highly attractive, easily installed and cost effective slip resistant solution for existing grooved decking.

RetroGrip® inserts are supplied as aluminium inserts, filled with epoxy resin and hard wearing aggregates. Fitted with nothing more than a line of adhesive, we really couldn't have made it easier to add a slip resistant finish to your existing decking. In areas of uneven decking or in high footfall areas, you may need fix using adhesive and RetroGrip® screws. See installation guides for more information.

<b>Brand name</b>	<b>RetroGrip®</b>
<b>Manufacturer</b>	<b>GripDeck Ltd</b>
<b>Standard Length</b>	1.0 metres
<b>Other Lengths</b>	Please enquire
<b>Width</b>	12 mm
<b>Weight</b>	0.06 kg/m
<b>Compatibility</b>	Fits most grooved decking profiles. We recommend customers request a free sample to ensure it fits your existing decking before placing an order.
<b>Aluminium Base</b>	Alloy extrusion 6063 T6 to BS EN573 & BS EN755
<b>Aluminium Finishes</b>	Standard Silver or Grey Powder Coated
<b>Resin</b>	Solvent and diluent free epoxy
<b>Aggregate</b>	RASC Guyanan Bauxite or Dynagrip
<b>Standard Aggregate Colour</b>	Standard Grey or Black
<b>Minimum particle size</b>	0.5mm
<b>Approved Adhesive</b>	GeoCel The Works Adhesive or equivalent wet applied adhesive
<b>Fixing Screws</b>	Toughened / Sharpened RetroGrip® screws (only required on uneven decking, high footfall areas etc)

## Standard Profile



## Anti-Slip Testing (Skid Resistance)

- Tested to BS 7976-2
- RetroGrip® exceeds slip standards in the wet
- PTV Score Over 35 = Low slip risk
- RetroGrip® Dry Score: 96 Very Low risk
- RetroGrip® Wet Score: 72 Very Low risk

## Cutting

RetroGrip® inserts can be cut with an angle grinder, using a metal cutting disc or diamond blade. We recommend the following PPE: Gloves goggles, dust mask and ear defenders.

**Warning:** Sparks and heat may be generated during the grinding / cutting process. Ensure this process is carried out in a safe area away from flammable materials, liquids and gases. Allow the ends of the inserts to cool before handling.

**Installation:** Separate instructions for fitting / installation are available for download from [RetroGrip.co.uk](http://RetroGrip.co.uk)