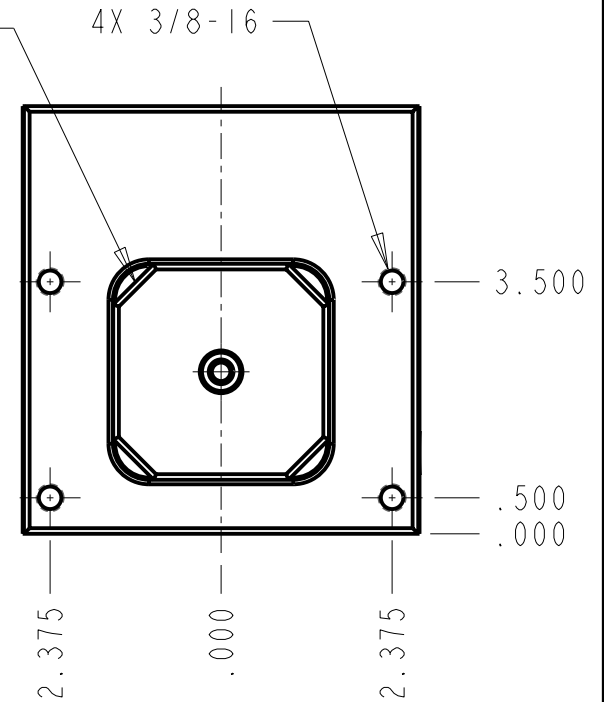
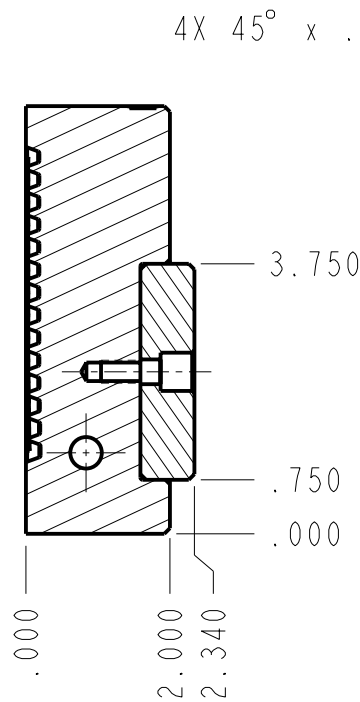
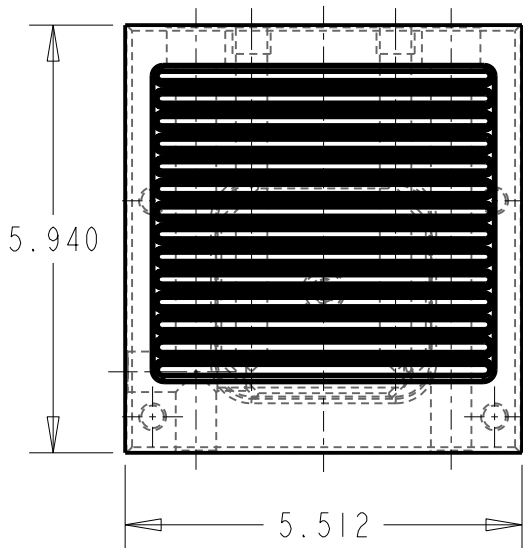
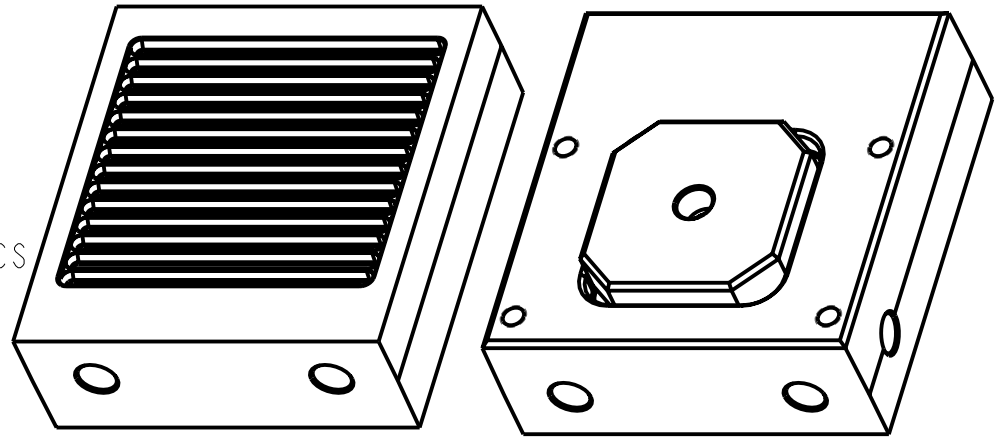
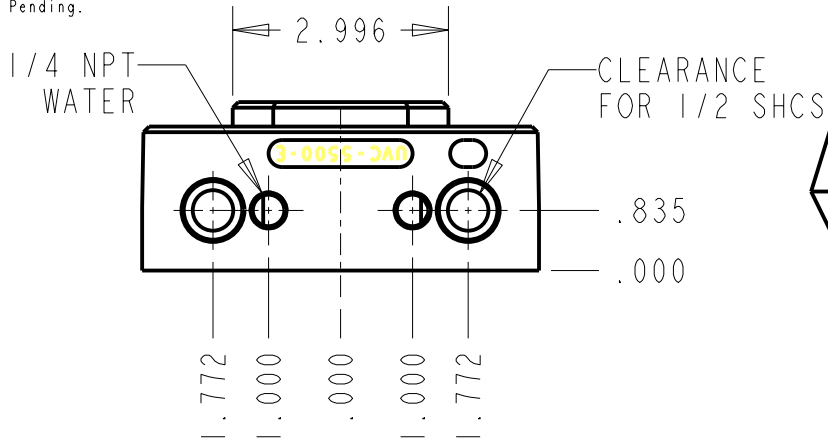


Midland Technologies, Inc. claims proprietary rights in the subject matter shown and described in this drawing and associated computer models. The drawing is furnished for reference purposes only and on express understanding that it will be held in strict confidence and neither it nor any reproduction thereof will be disclosed to others or used for purposes of manufacture or procurement from others of the articles or parts shown thereon without the express and written consent from Midland Technologies, Inc.

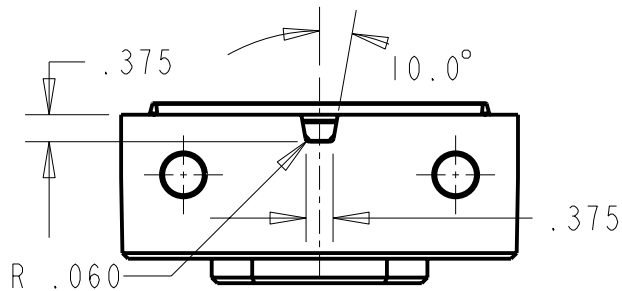
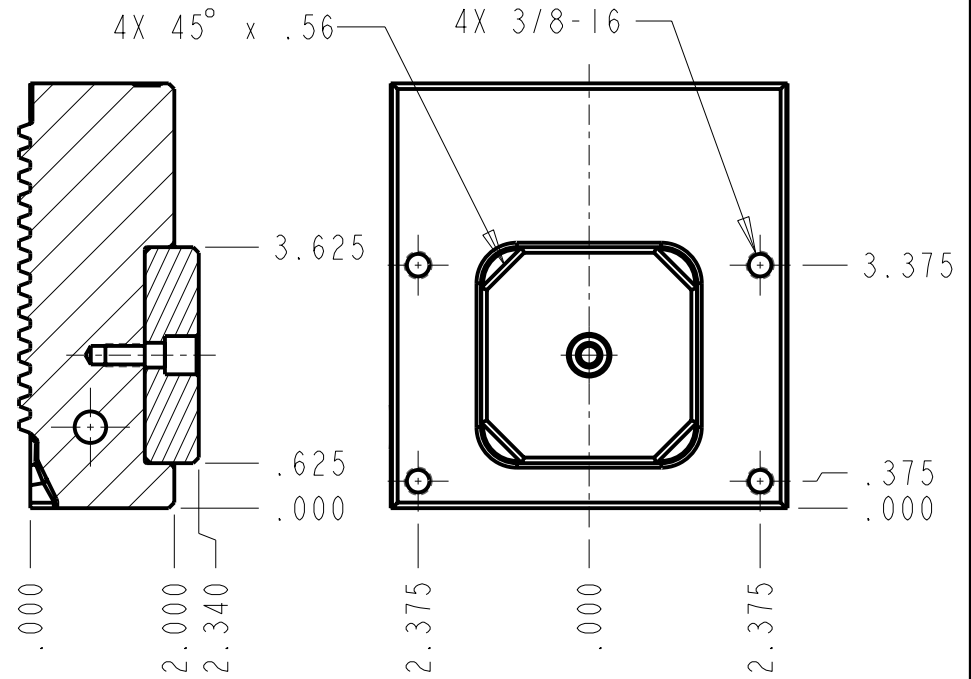
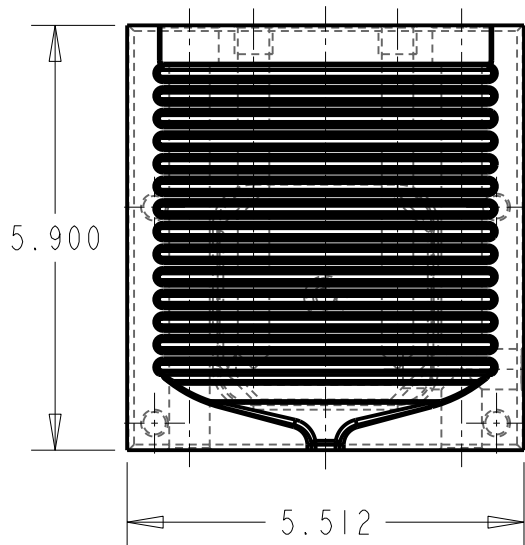
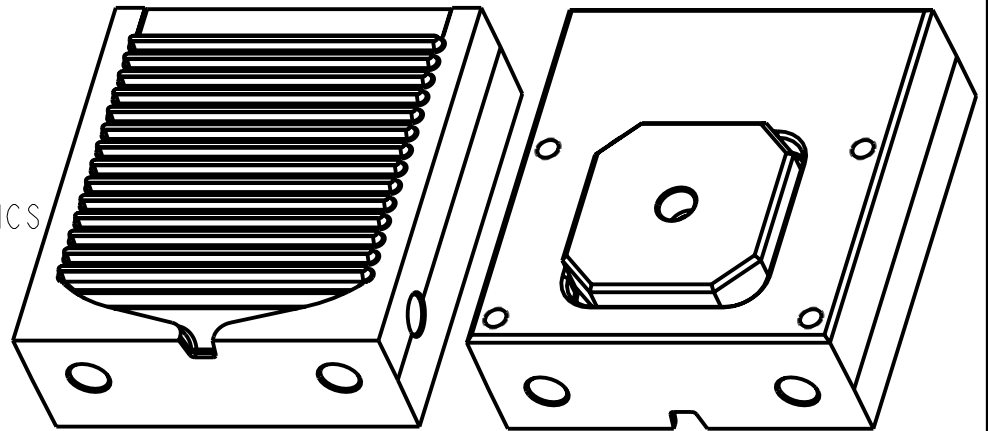
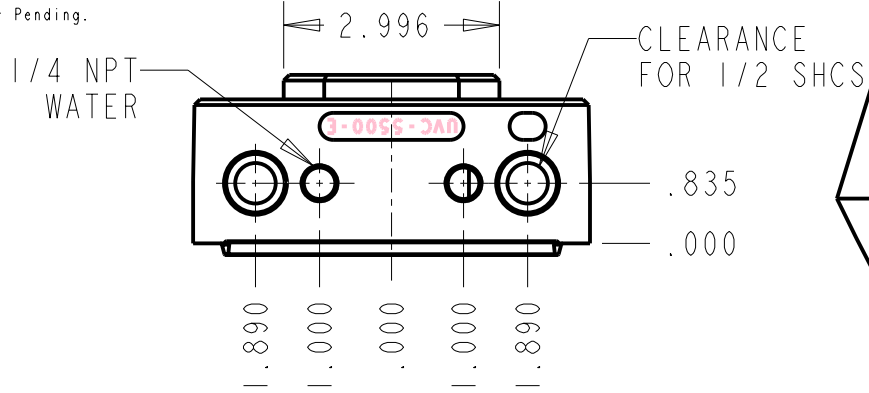
Patent Pending.



TOLERANCES EXCEPT NOTED		MIDLAND TECHNOLOGIES, INC.	
.X	±.030	TITLE	
.XX	±.010	UVC5500 COVER SIDE	
.XXX	±.001	INCH	SCALE
ANGLES	±1/2°	A	375
THIRD ANGLE PROJECTION		DATE:	05-07-02

Midland Technologies, Inc. claims proprietary rights in the subject matter shown and described in this drawing and associated computer models. The drawing is furnished for reference purposes only and on express understanding that it will be held in strict confidence and neither it nor any reproduction thereof will be disclosed to others or used for purposes of manufacture or procurement from others of the articles or parts shown thereon without the express and written consent from Midland Technologies, Inc.

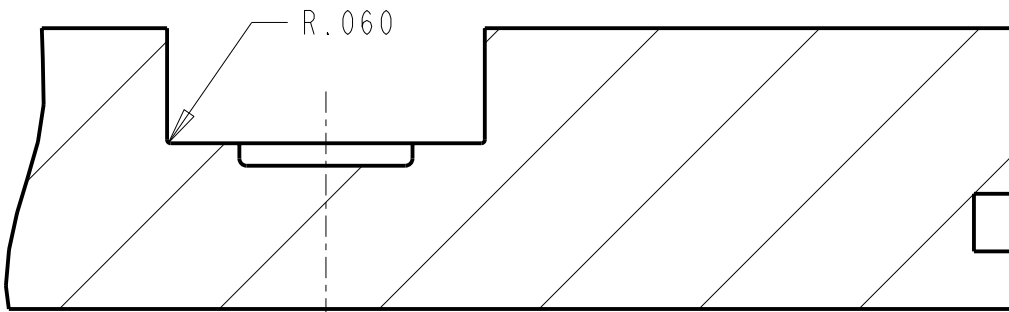
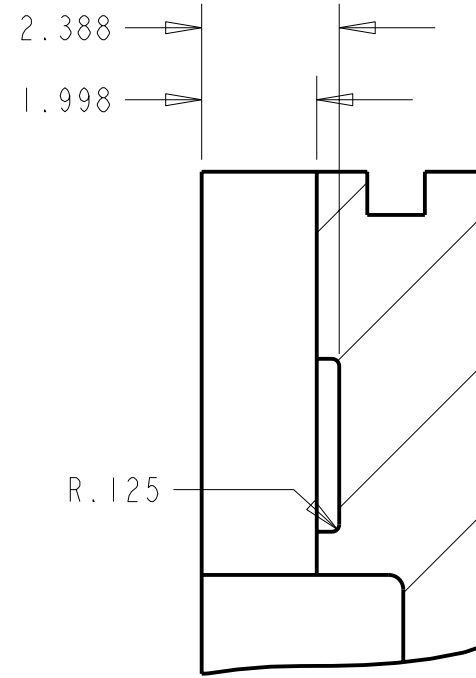
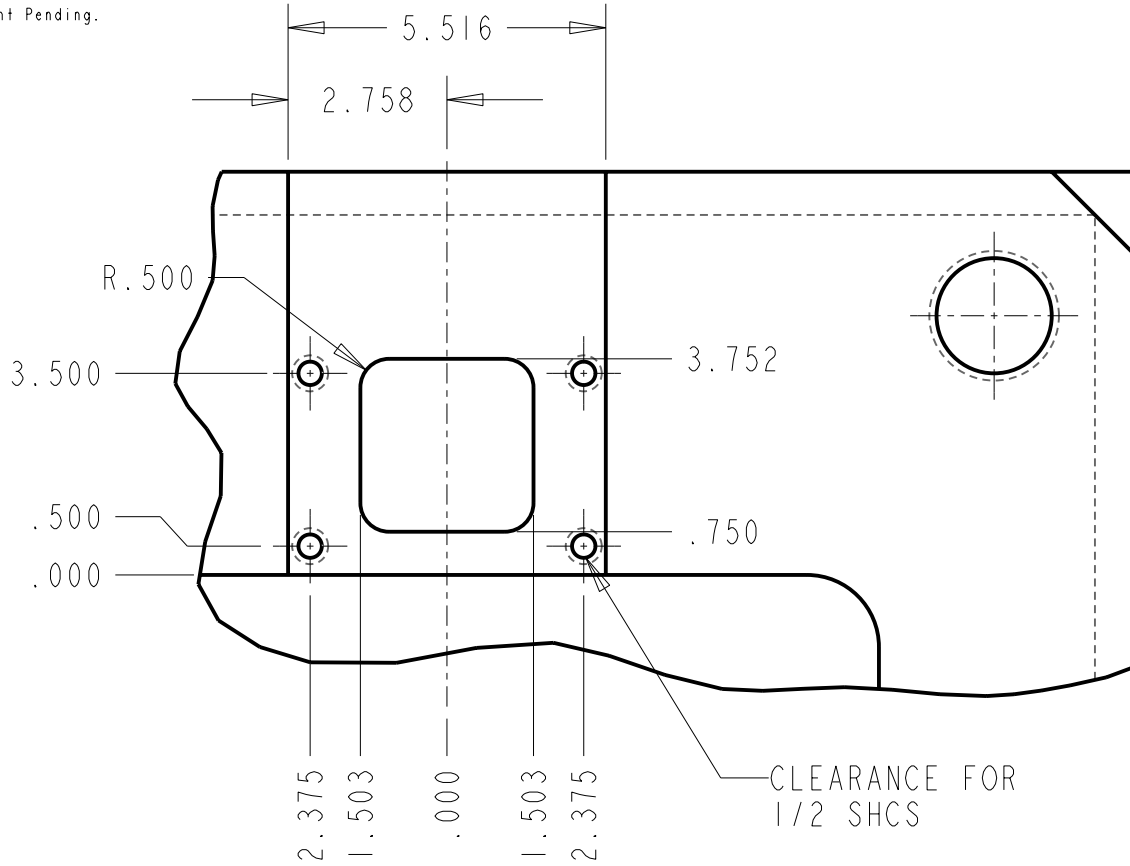
Patent Pending.



TOLERANCES EXCEPT NOTED		MIDLAND TECHNOLOGIES, INC.	
.X	±.030	TITLE	
.XX	±.010	UVC5500 EJEC SIDE	
.XXX	±.001	INCH	SCALE
ANGLES	±1/2°	A	375
THIRD ANGLE PROJECTION		DATE:	05-07-02

Midland Technologies, Inc. claims proprietary rights in the subject matter shown and described in this drawing and associated computer models. The drawing is furnished for reference purposes only and on express understanding that it will be held in strict confidence and neither it nor any reproduction thereof will be disclosed to others or used for purposes of manufacture or procurement from others of the articles or parts shown thereon without the express and written consent from Midland Technologies, Inc.

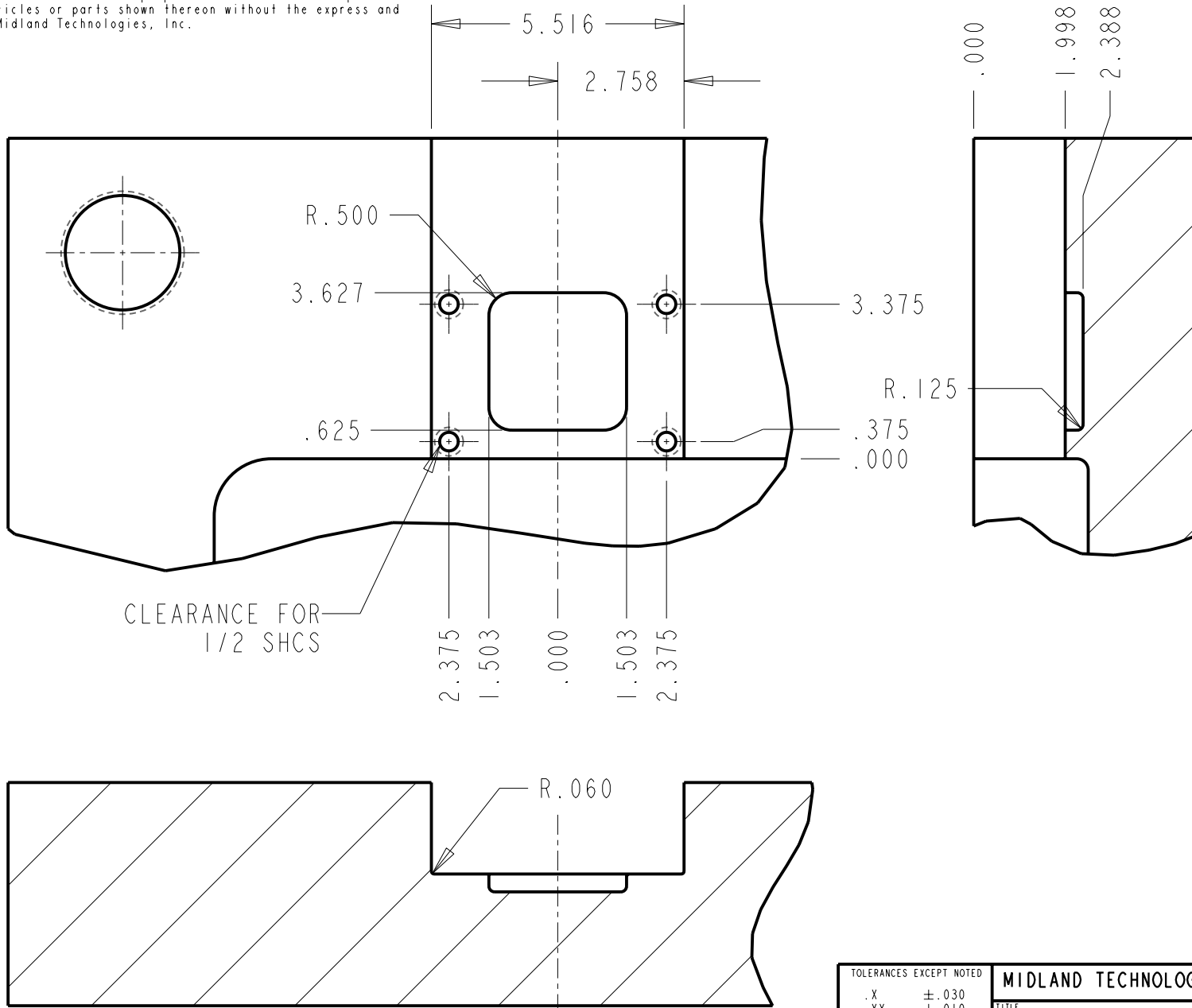
Patent Pending.



TOLERANCES EXCEPT NOTED		MIDLAND TECHNOLOGIES, INC.	
.X	±.030	TITLE	
.XX	±.010	UVC5500 COVER SIDE	
.XXX	±.001	SCALE	DATE:
ANGLES	±1/2°	A	375 05-07-02
INCH	THIRD ANGLE	PROJECTION	

Midland Technologies, Inc. claims proprietary rights in the subject matter shown and described in this drawing and associated computer models. The drawing is furnished for reference purposes only and on express understanding that it will be held in strict confidence and neither it nor any reproduction thereof will be disclosed to others or used for purposes of manufacture or procurement from others of the articles or parts shown thereon without the express and written consent from Midland Technologies, Inc.

Patent Pending.



TOLERANCES EXCEPT NOTED		MIDLAND TECHNOLOGIES, INC.	
.X	±.030	TITLE	
.XX	±.010	UVC5500 EJEC SIDE	
.XXX	±.001	SCALE	DATE:
ANGLES	±1/2°	A	375
INCH		THIRD ANGLE PROJECTION	05-07-02