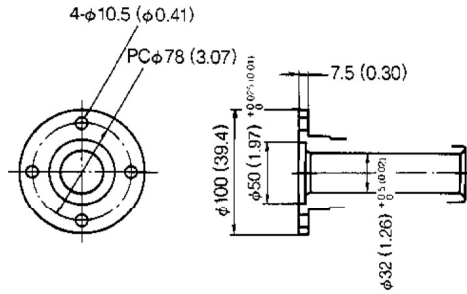
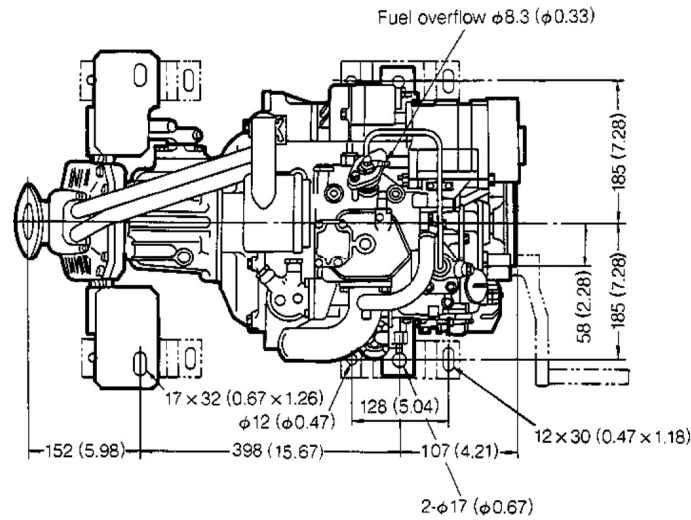


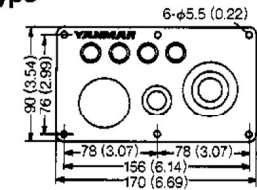
Unit = mm (Figures in parentheses = inch)



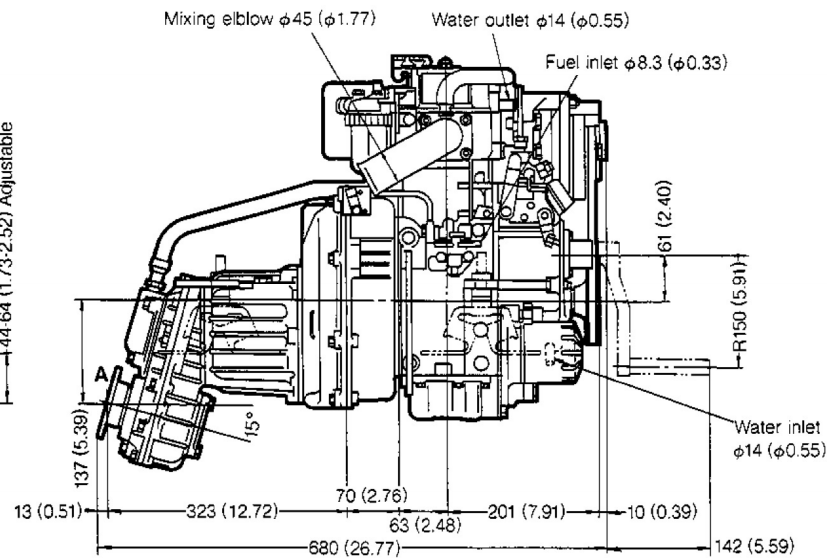
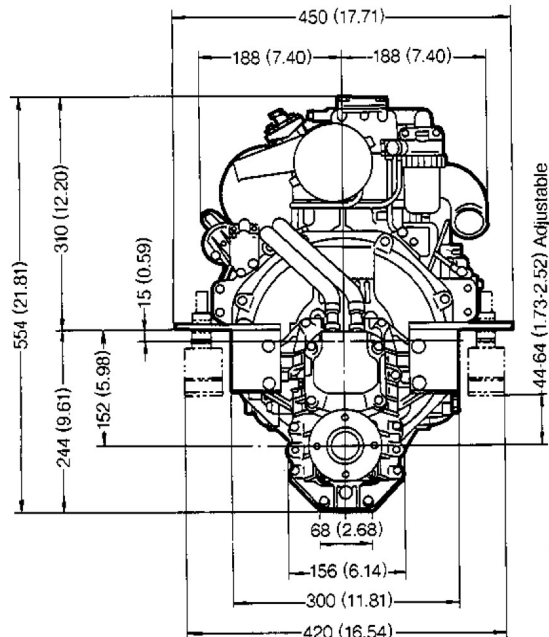
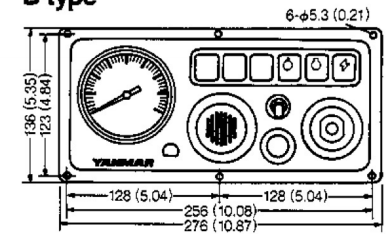
Detail of coupling (A)



A-type



B-type



ALL DIMENSIONS ARE IN MILLIMETER

Scale 1/10 YANMAR MARINE INTERNATIONAL
24 April 2005

1GM10V

GROUP, USER=EM2, MT01