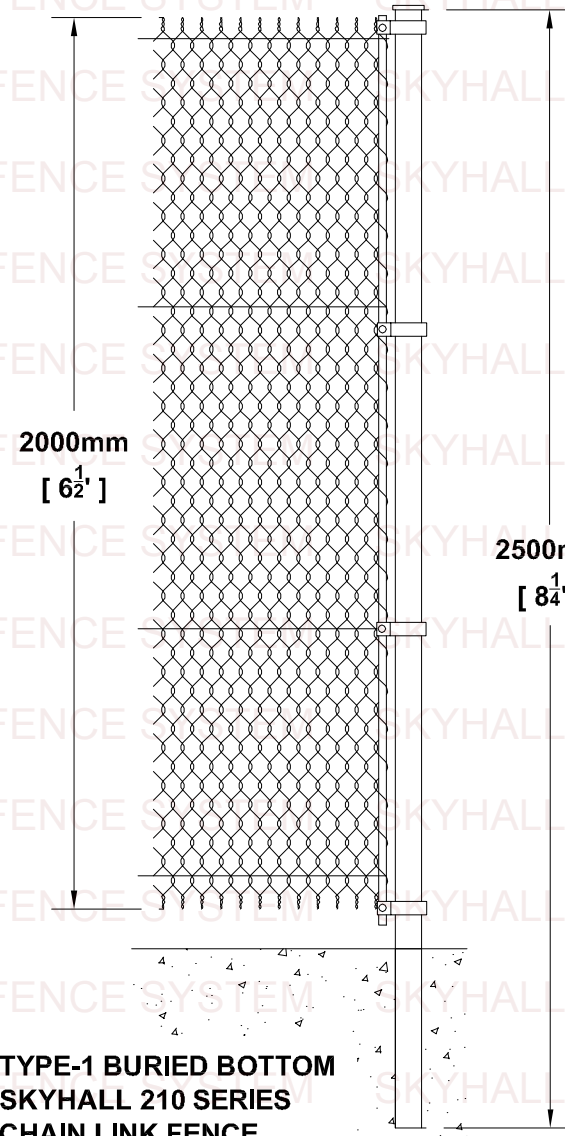
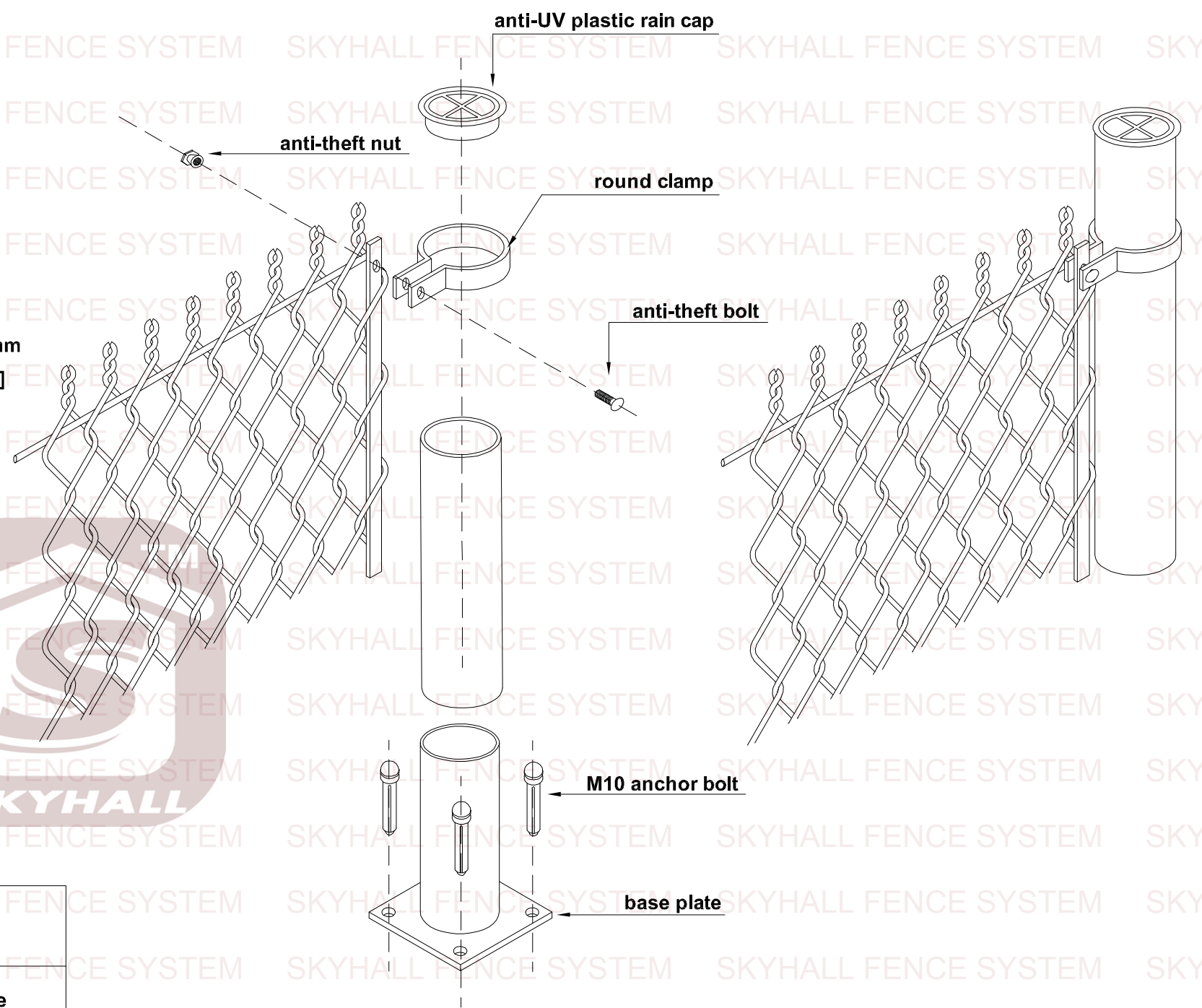
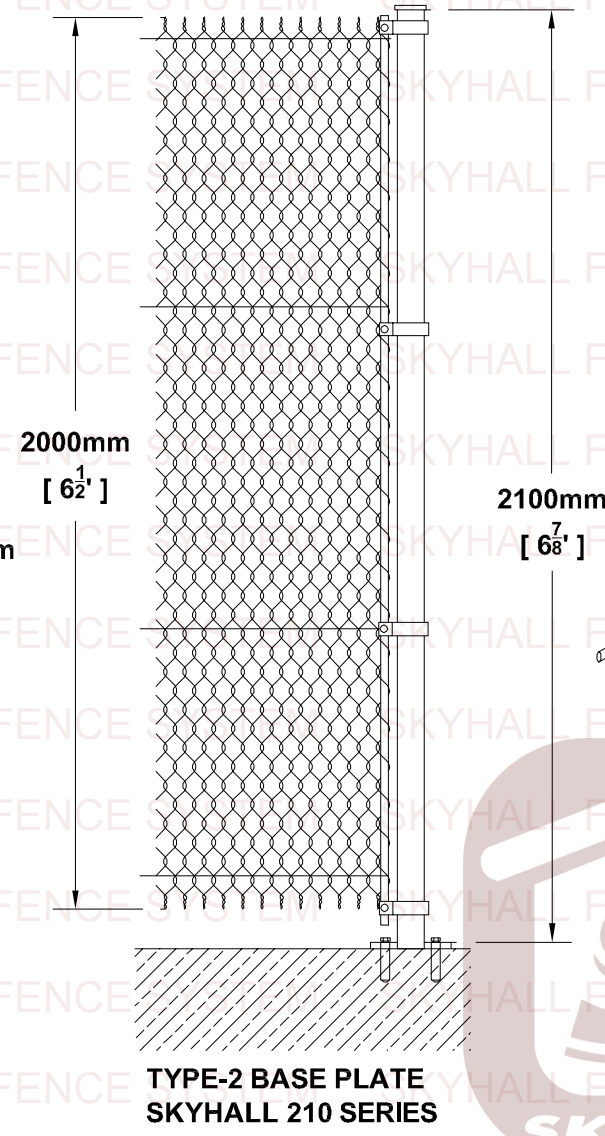


**TYPE-1 BURIED BOTTOM
SKYHALL 210 SERIES
CHAIN LINK FENCE**



**TYPE-2 BASE PLATE
SKYHALL 210 SERIES
CHAIN LINK FENCE**



**SKYHALL 210 SERIES (CHAIN LINK FENCE)
SKYHALL FENCE SYSTEM**

Post Size	Post Wall Thick	Clamp	Rain Cap	Surface
50mm * 50mm	1.5mm [gauge #17]	metal round clamp	metal rain cap	pre hot-dipped galvanized
	2.0mm [gauge #15]			
60mm * 60mm	2.5mm [gauge #13]	metal skew clamp	PVC rain cap	electric galvanized + PVC coated
	3.0mm [gauge #11]			
75mm * 75mm	4.0mm [gauge #8]			

Rev	Date	Changed	By	Material	Q195/235	Spec
01	n/a	n/a		Mass	N/A	
02				SKYHALL FENCE 210 SERIES CHAIN LINK FENCE (CONNECTION) H=2.00M, W=3.00M, MESH SIZE 50MM*50MM		
03						
04						
05				Status		Designer RAY HAN
06				Status by		Date 2014-08-12
07						



SKH210A0002

THIS DRAWING AND THE RELATED INFORMATION IS AND REMAINS THE EXCLUSIVE PROPERTY OF SKYHALL WITHOUT THE PRIOR WRITTEN CONSENT OF SKYHALL. THIS DRAWING AND THE RELATED INFORMATION MAY NEITHER BE COPIED OR REPRODUCED, NOR COMMUNICATED IN ANY WAY TO A THIRD PARTY, NOR USED FOR MANUFACTURING OUTSIDE SKYHALL EACH INFRINGEMENT OF THESE INTELLECTUAL PROPERTY RIGHTS OF SKYHALL SHALL GIVE RISE TO LEGAL PROCEEDINGS.