

Open Frame LCD

Open Frame LCD



5.7"

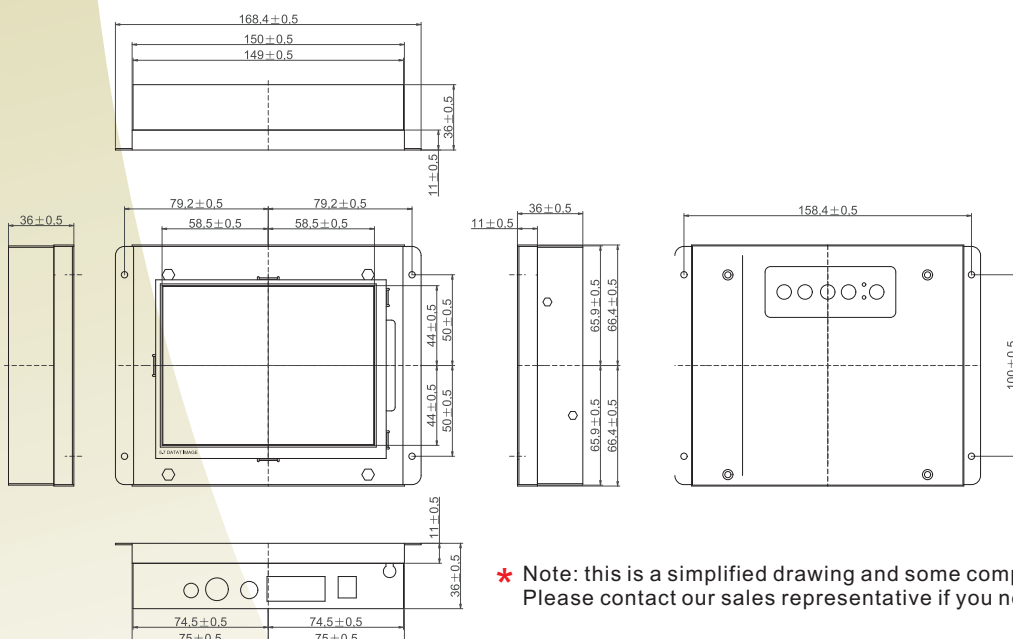
Specifications



Model Name	R05T100-OFD1
Viewable Size Image	5.7"
Active Display Area(mm)	115.2(H)x86.4(V)
Pixel Pitch(mm)	0.06(H)x0.18(V)
Number of Pixels	640x480
Contrast Ratio	300:1(typ.)
Display Color	262144(6bit/colors)
Brightness(cd/m ²)	670(typ.)
Viewing Angle(CR>=10)	-70~70(H);-40~60(V)
Synchronization Range	31.5~37.5KHz / 60~75Hz
Horizontal/Vertical	
Recommended Resolution	640x480@60Hz,75Hz
Signal Connector	15 pin D-Sub
Power Source	12V DC in, with External AC to DC Adapter (100~240V AC)
Power Consumption	15W typical, normal operation
Power Management	VESA DPMS Compliant
Plug & Play	VESA DDC 1/2B
Optional Video Input	S-Video, Composite
Optional DVI Input	No
Optional Touch Screen	4-Wire Resistive

Remarks:R05T100 series= VGA input only
R05T110 series= VGA+Video Input

Mechanical Drawing



UNIT:mm

* Note: this is a simplified drawing and some components are not marked in detail. Please contact our sales representative if you need further product information.

Note: All Specifications are subject to change without prior notice!