



skypod<sup>®</sup>

Eye-catching, affordable and easy  
to install pitched PVC-U skylights

**eurocell**<sup>®</sup>  
All together better



**skypod<sup>®</sup>**

## PITCHED PVC-U SKYLIGHTS

There are lots of ways to add light to buildings, but none are as stylish as Skypod pitched PVC-U skylights

### **Impress customers and end-users with desirable, space-enhancing skylights**

The Eurocell Skypod pitched skylight system enables you to create an eye-catching, contemporary feature that floods the interior of a property with natural light. It brings life and freshness to uninspiring flat-roofed buildings, and makes a stunning alternative to conventional conservatory roofs.

Skypod skylights add height, light and volume to any living space. They are the perfect choice for a wide range of refurbishment, extension or new-build projects – including reception areas, classrooms, orangeries, kitchen-diners and garage conversions.

### **Affordable, energy efficient and attractive – the perfect alternative to aluminium**

Eurocell designed Skypod as an affordable alternative to aluminium skylights, making it accessible for more applications, to more people. As well as value issues, the 'industrial' aesthetic of aluminium skylights is unsuited to many properties and not to everyone's taste.

Skypod offers significant energy-efficiency improvements, with a U-value as low as 1.0\* – helping your customers to save on their energy bills. The PVC-U frames also help homeowners to match the appearance of their skylight to existing PVC-U windows and doors.

## WHY CHOOSE SKYPOD?



**Designed for superior performance**



**Fast, accurate installation**



**U-values as low as 1.0\***



**Fixed 20° pitch**



**A choice of frame and glass colours**



**Cheaper than aluminium alternatives**



**Kits delivered in 5 working days**



**10-year guarantee**

The architectural design means there are no fussy crestings or finials to fit, giving your customers the ultimate in clean sight-lines. A unique ridge end cover cap completes the sleek appearance.

### **Create skylights of any size, up to 2.75m x 7.75m**

Skypod is available in a wide range of sizes, so you can create a skylight that's suitable for any project. It also comes in a choice of two-bar or three-bar pitched gable ends. The two-bar option offers cleaner, unobstructed sight lines in sizes up to 1.5m x 6.5m, while the extra strength and rigidity of the three-bar option enables you to create much larger skylights of up to 2.75m x 7.75m.

### **Simple, fast installation – for a quality-assured finish on every job**

Crucially, Skypod has been designed for fast, accurate, simple installation. It requires only square cuts, with no

mitring or awkward angles to negotiate, and all screw holes are pre-drilled. This enables installers to give customers a precision-fitted watertight skylight, while making the job as quick and easy as possible.

### **Delivered in five working days**

Once the site has been surveyed and measurements taken, you can order your bespoke Skypod roof from any of the 130+ Eurocell branches across the UK. Your complete ready-to-install kit, including all screws and fixings, will be delivered to the branch in five working days. You can then either collect it yourself or arrange for free delivery direct to your site\*\*.

### **Complete the job**

All the tools and sealants you need to install your skylight to the highest standard are available from your local Eurocell branch, so you can pick up everything you need when you collect your Skypod. It's important to use a sealant that is compatible with self-cleaning glass, and we recommend Soudal SMX 506.

\* Standard U-value is 1.2. U-value is applicable to glass only.

\*\* Free delivery applies to orders over £100 and deliveries to mainland UK only, excluding Northern Scotland.

1.0\*  
U-VALUE



# SLEEK DESIGN

skypod®

EXCEPTIONAL STYLE & PERFORMANCE

## Colours to frame the view

Like all Eurocell PVC-U products, Skypod comes with an exact colour-match guarantee. That means the colour is precisely matched to all Eurocell window, door and conservatory roof products, creating a co-ordinated, consistent look across any property.

Skypod has a white internal finish as standard, to maintain a bright, fresh interior. A range of external colours is available to complement existing architectural style, as well as a choice of glass options.

## Ten-year guarantee

Skypod skylights are guaranteed for ten years. That means you can give your customers the assurance of a robust, well-designed, precision-made product that's built to last – manufactured by the UK's leading PVC-U specialist.

## FRAME COLOURS



## GLASS COLOURS



ADDITIONAL COLOURS AND SPECIFICATIONS ARE  
MADE TO ORDER ON EXTENDED LEAD TIMES

# UNIQUE

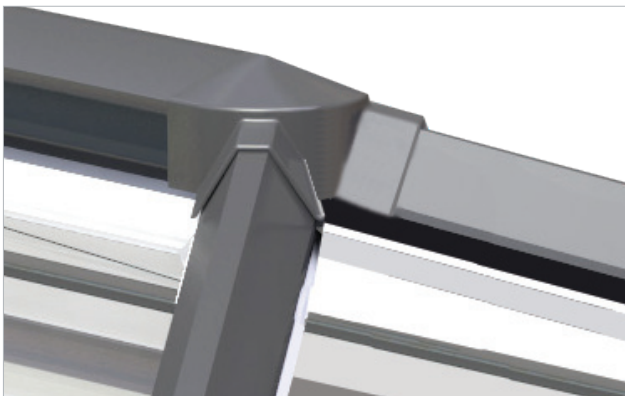
SPIDER BAR GLAZING CAP



FIXED **20°** PITCH

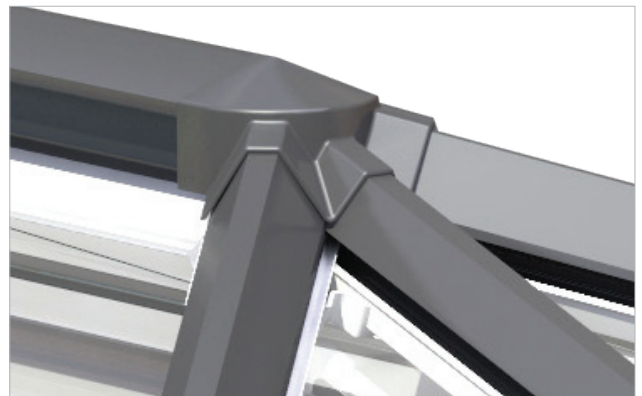
ARCHITECTURAL  
COLOURS

## SIZES & STYLES



**2-BAR**

Available up to  
1.5m x 6.5m



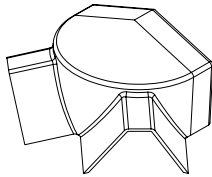
**3-BAR**

Available up to  
2.75m x 7.75m

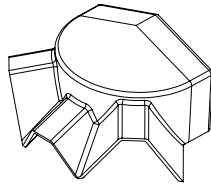
# TECHNICAL INFORMATION

## SKYPOD PITCHED SKYLIGHTS

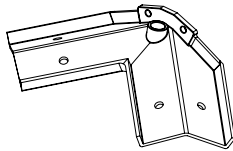
### COMPONENTS



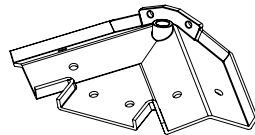
**CRS 9241**  
Skypod 2-bar top cap



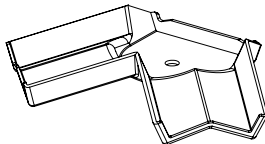
**CRS 9240**  
Skypod 3-bar top cap



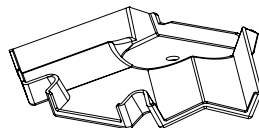
**CRS 9522A**  
Skypod 2-bar spider bracket



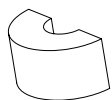
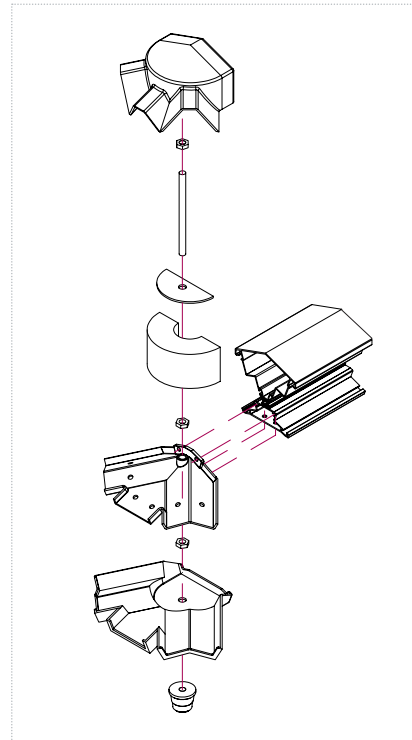
**CRS 9521A**  
Skypod 3-bar spider bracket



**CRS 9249**  
Skypod 2-bar bottom cap



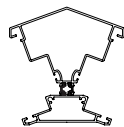
**CRS 9248**  
Skypod 3-bar bottom cap



**CRS 9421**  
Skypod foam bung



**CRS 9422A**  
Skypod foam  
bung sealing plate



**CRS 9520A**  
Skypod  
ridge body



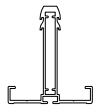
**CRS 8625**  
Single variable  
support stud



**CRS 8624**  
Double variable  
support stud



**CRS 8534A**  
M10 decorative  
boss



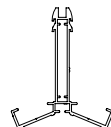
**CRS 8501A**  
Standard rafter



**CRS 8016**  
25mm  
rafter top cap



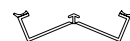
**CRS 8011**  
Rafter bottom cap



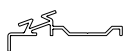
**CRS 8502A**  
Edwardian hip



**CRS 8017**  
25mm Edwardian  
hip top cap



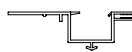
**CRS 8012**  
Hip bottom cap



**CRS 9550A**  
Skypod eaves 20°



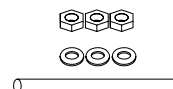
**CRS 8053**  
Eaves beam seal



**CRS 8024**  
24/25mm glazing  
trim



**CRS 8654**  
90° eaves  
beam cleat

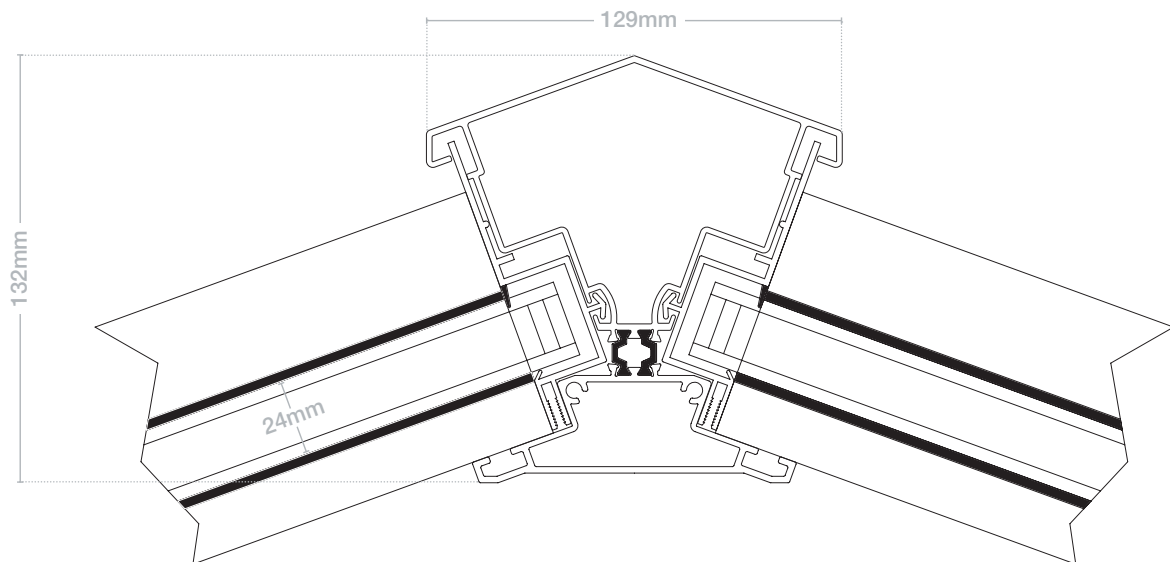


**CRS 8034**  
M10 nylon  
threaded bar

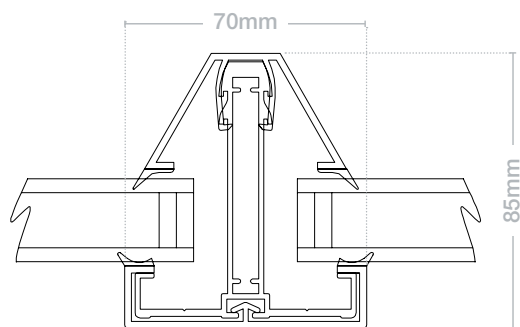
# ASSEMBLIES

## Ridge assembly

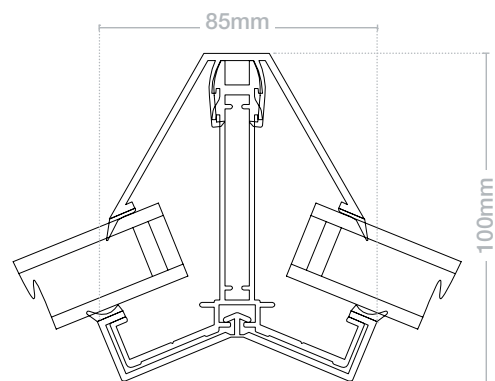
Powder-coated aluminium, thermally broken



## Rafter assembly



## Hip assembly



## INSTALLATION

To see an in depth installation guide, featuring kerb detail and more, please contact the Customer Care Team on **0800 988 3047**



*All together better*

For more information about **skypod** pitched PVC-U skylights from Eurocell, call our customer services team on **0800 988 3047**, or visit **eurocell.co.uk/skypod**

Eurocell plc, Fairbrook House, Clover Nook Road, Alfreton, Derbyshire DE55 4RF



**eurocell.co.uk**