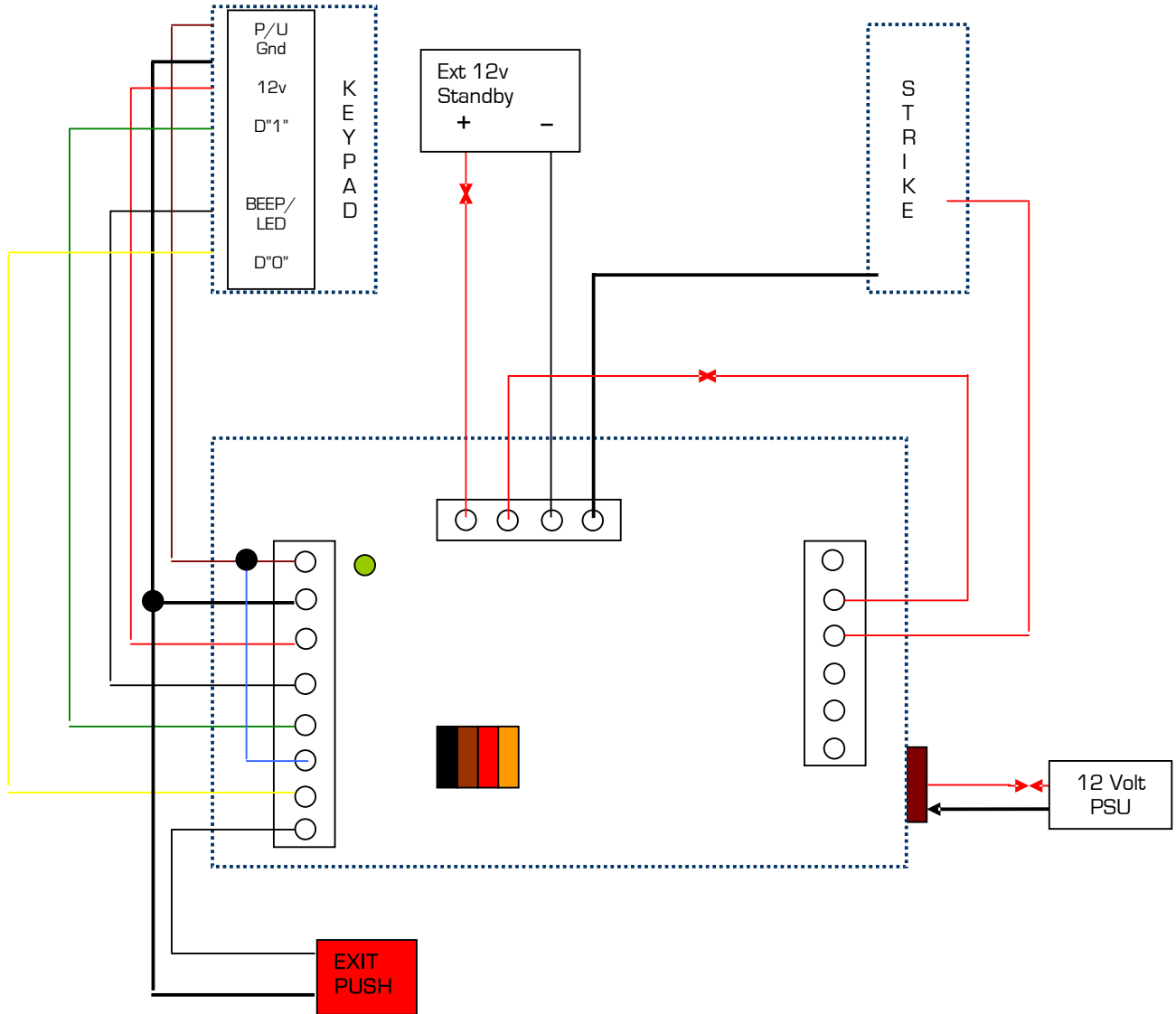


CODEGUARD SECURITY LTD

Codeguard Security Ltd
3 Saxon Way, Melbourn,
South Cambridgeshire, UK, SG8 6DN

Tel: 44 (0) 1763 260 294
mail@codeguardsecurity.com

Connecting SLC-1 Controller to Keypad



PL1

Pin 1 To keypad pin 1
Pin 2 To keypad pin 2 / To 0 volts / GND
Pin 3 To keypad pin 3 / To 12 Volts
Pin 4 LED / Beeper output pin 4, 8 or 6
Pin 5 To keypad pin 5 DATA "1"
Pin 6 "Pull Up" connect to pin 1
Pin 7 To keypad pin 7 DATA "0"
Pin 8 Exit request

PL3

PIN 1 Ground
PIN 2 Ground
PIN 3 12 v in
PIN 4 12v out

PL2

Pin 1 Relay 1 N/O
Pin 2 Relay 1 N/C
Pin 3 Relay 1 Common
Pin 4 Relay 2 N/O
Pin 5 Relay 2 N/C
Pin 6 Relay 2 Common

—><— External 2 amp Fuse

Power supply & Controller must be located on secure side of the installation
E&OE

Leaders in Access control keypads