

ATN

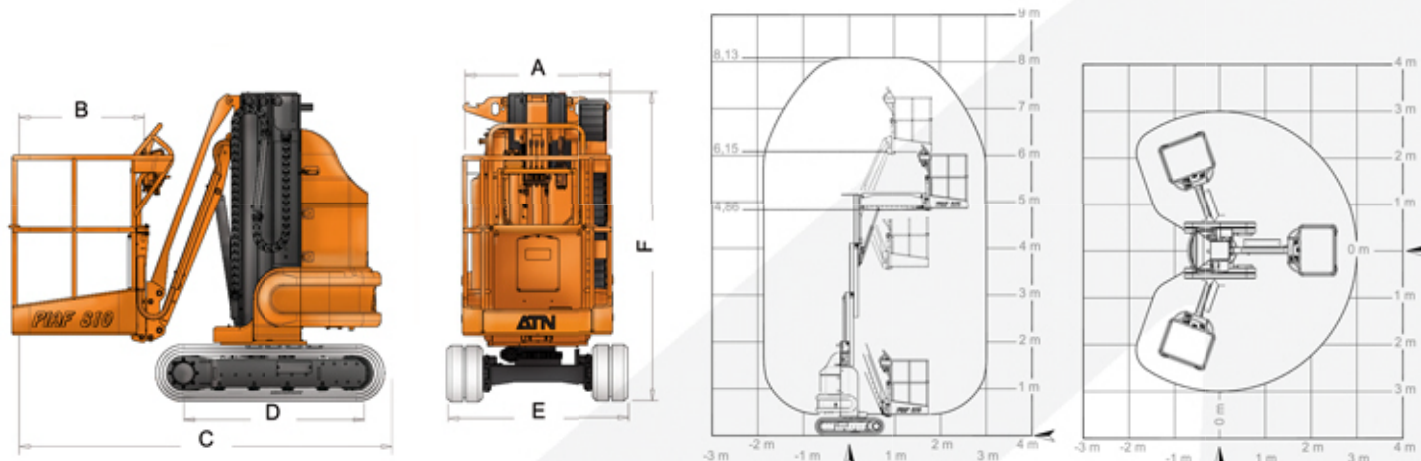

ACCESS PLATFORMS

PIAF 810

Mast boom lift PIAF 810



www.r2access.com



PIAF 810 on tracks

ADVANTAGES OF PIAF 810

- Efficiency thanks to the 2 x 110° rotation of the top.
- Designed for any indoor or outdoor job site.
- Smooth operating thanks to the hydraulic joystick.
- Easy to operate.
- Zero turning radius.
- Preserving fragile floors.
- Designed and manufactured for heavy-duty use.

STANDARD FEATURES

- Non-marking rubber tracks.
- Progressive hydraulic joystick transmission.
- Driving operated by a hydraulic joystick.
- 575 Ah 24 V centralized battery filling system.
- 85 A battery charger.
- 2 drive speeds.
- Lifting facilities.
- Emergency hand-pump.
- Battery indicator with 80% discharge cut-off.
- Tilt indicator with buzzer.
- Overload sensor.
- System preventing from tipping over.
- Hour meter.
- Strong large size platform.

OPTIONS

- Air line to platform.
- 220V AC power to platform.
- Automatic power cut-off if tilt value >5°.
- Flashing light.
- Motion alarm.
- Special paint colour(s).

	PIAF 810
Working height	8,10 M (26 ft. 6,91 in.)
Platform height	6,10 M (20 ft. 0,16 in.)
Horizontal reach	3,00 M (9 ft. 10,11 in.)
Lift capacity	200 Kg (441 lbs.)
Turntable rotation	2x110 °
A Platform width	0,90 M (2 ft. 9,5 in.)
B Platform length	0,80 M (2 ft. 6,2 in.)
E Width	1,20 M (3 ft. 11,24 in.)
C Length- stowed	2,47 M (8 ft. 10,25 in.)
F Height - stowed	1,98 (6 ft. 6,49 in.)
D Wheelbase	1,20 M (3 ft. 11,24 in.)
Drive speed - stowed	1,8 Km/h (1,12 Mph)
Drive speed - raised	0,8 Km/h (0,50 Mph)
Turning radius	0
Gradeability - stowed	30 %
Maximum tilt value	5 %
Weight	2200 Kg (4851 lbs.)
Max.ground bearing pressure	0,5 Kg/cm ² (7 psi / in. ²)

CE This product complies with European regulations in force (EN 280). Due to our constant improvement policy, ATN reserves the right to make any modifications without any prior notice.



Tel: +44 (0) 7501 395999
email: sales@r2access.com

