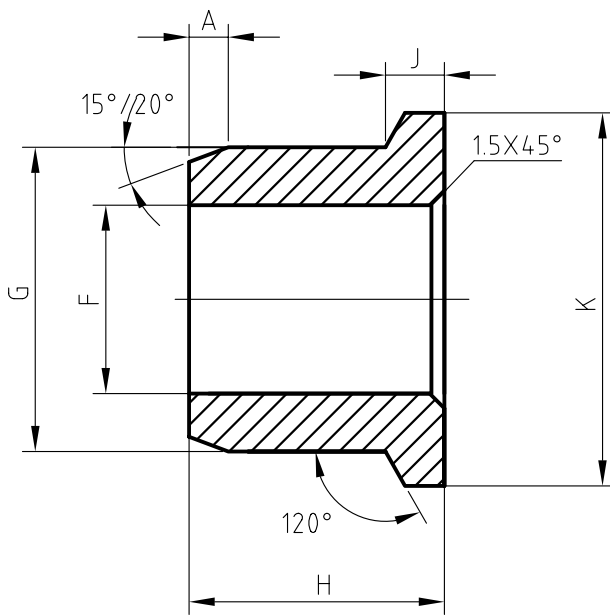


Unit:mm



Finish:

Plain (Zinc Plated & Waxed)

APPROVED BY CUSTOMER
For Manufacture

Name: _____

Date: _____

Signature: _____

Technical Requirements:

- 1.Material:low carbon steel
- 2.Smooth surface without burr.
- 3.Heat Treatment: Annealing. Hardness:HRB50-75
- 4.Surface Treatment: 10um zinc clear , and waxed.

SIZE	F	G	H	J	K	A
3LBC-S16G	13.10/13.55	20.15/20.50	18.20/18.95	2.40/3.95	24.65/26.15	2.3/3.2
3LBC-S20G	16.55/16.85	24.70/25.60	23.60/24.35	3.20/4.75	30.95/32.50	3.8/4.7
3LBC-S24G	19.70/20.05	29.75/30.45	28.40/29.10	4.00/5.50	37.30/38.85	4.3/5.2
3LBC-S28G	23.15/23.60	34.55/34.90	33.05/33.75	4.75/6.35	39.70/41.25	5.3/6.2
3LBC-S32G	26.20/26.65	39.40/40.00	37.75/38.45	5.55/7.10	46.85/48.40	6.3/7.7
3LBC-S36G	29.25/29.95	44.25/44.95	42.45/43.15	6.35/7.90	53.20/54.75	9.7/11.2

2015.5.21

No,

Alternation:

Date:

Check:

Approved:

Customer:

Flange Collars--1/2"--1-1/8"

Customer's P/No.:

Customer's Drawing: