



CONTINENTAL BOTTLE COMPANY LTD

Press Release

November 2014

Subject: New Fragrance Bottle Standard – Enso

Continental Bottle Company is pleased to announce a new Fragrance Bottle Standard that has been introduced to our collection.

A divine and slender silhouette, a subtle and refined design, the new Enso bottle asserts its luxurious elegance. Available in 50ml and 100ml, this new bottle features a round form and horizontal shoulder construction that fits perfectly in the palm of your hand. With its thick glass base that captures the light that helps transcend the bottle. The Enso collection offers the possibility of the 50ml format in a tall or short version that has the identical base dimensions as the 100ml format. We can also offer to express even more individuality and modernity, a delicate and subtle engraving to catch the eye and light. To add to this and for ultimate personalisation and even more uniqueness CBC are able to offer a complete decoration service.

Please visit our website at www.continentalbottle.co.uk or follow us on Facebook and Twitter so that you can keep up to date with all our latest news and promotions.

For more information please contact our sales team at enquiries@continentalbottle.co.uk or telephone us on 01606 862525.

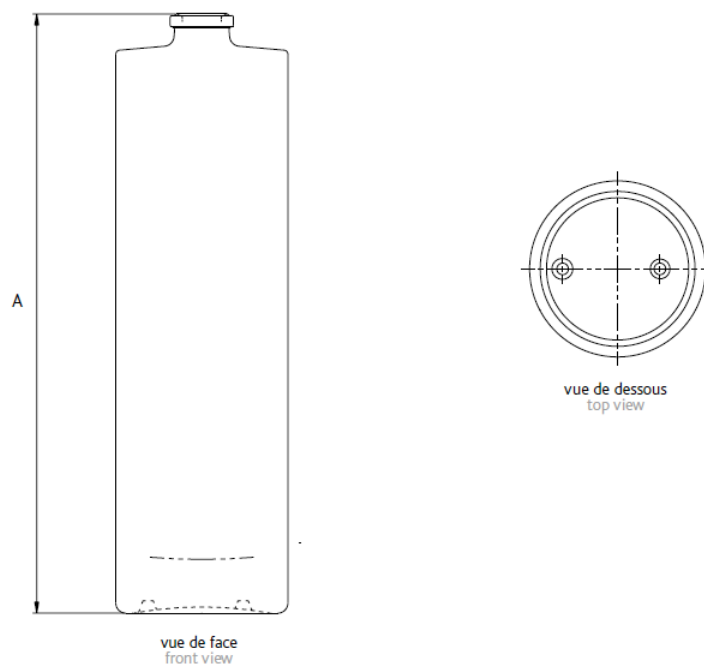


Bariow Drive, Woodford Park Industrial Estate, Winsford, Cheshire, England, CW7 2JZ.
Tel: +44 (0) 1606 86 25 25 Fax: +44 (0) 1606 86 25 26 [Email: enquiries@continentalbottle.co.uk](mailto:enquiries@continentalbottle.co.uk)

Directors: G.Emsden, L.J.Emsden B.Sc (Hons), W.Emsden, B.R. Tchertoff, R.D. Cross

Registered in England Registration No. 02606480

www.continentalbottle.co.uk



CARACTÉRISTIQUES TECHNIQUES / TECHNICAL FEATURES			
REFERENCE	5333	5332	5330
CONTENANCE / CAPACITY	50 ml Forme Haute	50 ml Forme Basse	100 ml
VERRE EXTRA BLANC / EXTRA WHITE FLINT GLASS	●	●	●
BAGUE / FINISH	FEA 15	FEA 15	FEA 15
POIDS / WEIGHT	118 g	123 g	184 g
CONTENANCE R.B. / BRIMFUL CAPACITY	56 ml	56 ml	109 ml
MINI INTERIEUR COL / MINIMUM ENTRANCE BORE	8.4 mm	8.4 mm	8.4 mm
HAUTEUR TOTALE / TOTAL HEIGHT	A	86 mm	144 mm
SECTION CORPS / BODY SECTION	34.4 mm	41.6 mm	41.6 mm
SEMELLE DE VERRE NOMINAL / GLASS BASE THICKNESS	13 mm	13 mm	13 mm
CHOIX QUALITATIF / QUALITY	Parfumerie / Perfumery	Parfumerie / Perfumery	Parfumerie / Perfumery
BAGUE COMPATIBLE SUR FABRICATION SPECIALE / INTERCHANGEABLE NECK FINISH AVAILABLE ONLY ON SPECIAL PRODUCTION REQUEST	GPI 415/15	GPI 415/15	GPI 415/15

EMBALLAGE / PACKING	50 ml	50 ml	100 ml
NOMBRE D'ARTICLES PAR COUCHE / NUMBER OF BOTTLES PER LAYER	880	630	630
NOMBRE DE COUCHES / NUMBER OF LAYERS	8	12	7
NOMBRE D'ARTICLES PAR PALETTE / NUMBER OF BOTTLES PER PALLET	7040	7560	4410
POIDS TOTAL PALETTE / PALLET GROSS WEIGHT	914 kg	1021 kg	890 kg
HAUTEUR TOTALE / OVERALL HEIGHT	1.16 m	1.24 m	1.21 m
PALETTE / PALLET	Non gerbable Non stackable	Non gerbable Non stackable	Non gerbable Non stackable

Barlow Drive, Woodford Park Industrial Estate, Winsford, Cheshire, England, CW7 2JZ.
Tel: +44 (0) 1606 86 25 25 Fax: +44 (0) 1606 86 25 26 [Email: enquiries@continentalbottle.co.uk](mailto:enquiries@continentalbottle.co.uk)

Directors: G.Emsden, L.J.Emsden B.Sc (Hons), W.Emsden, B.R. Tchertoff, R.D. Cross
Registered in England Registration No. 02606480
www.continentalbottle.co.uk