

**CDM :HAZARD IDENTIFICATION - HANDLING MATERIALS**

BE AWARE OF SHARP EDGES AND CORNERS WHEN HANDLING MATERIALS. MOST EDGES AND CORNERS WILL BE DEBURRED BUT THERE IS STILL A SMALL RISK. WEAR APPROPRIATE PPE REQUIRED FOR THE TASK. THE MHOR 1992 SET OUT A CLEAR RANKING OF MEASURES FOR DEALING WITH RISKS FROM MANUAL HANDLING, THESE ARE:

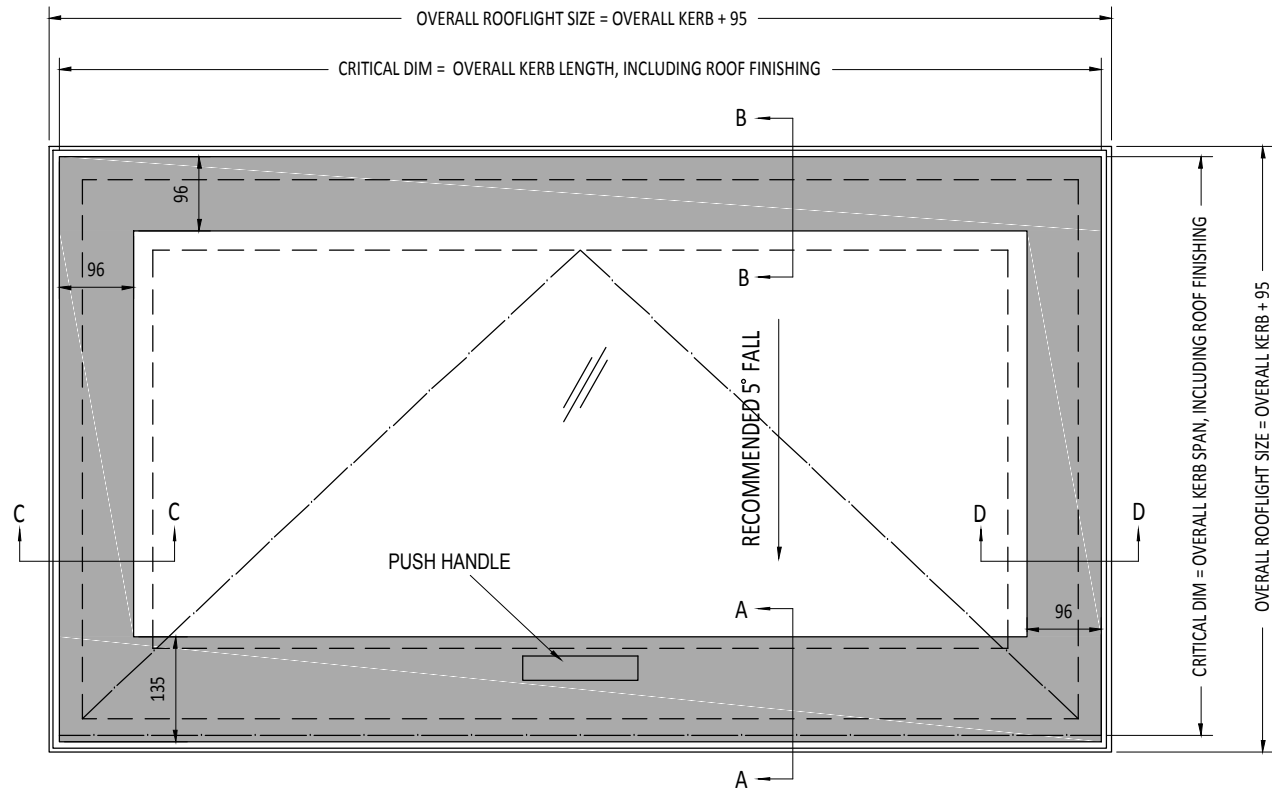
- FIRST - AVOID HAZARDOUS MANUAL HANDLING OPERATIONS SO FAR AS IS REASONABLY PRACTICABLE;
- SECOND - ASSESS ANY HAZARDOUS MANUAL HANDLING OPERATIONS THAT CANNOT BE AVOIDED; AND
- THIRD - REDUCE THE RISK OF INJURY SO FAR AS IS REASONABLY PRACTICABLE.

HAND PROTECTION (MANDATORY) TO: BS EN 388:1994.

ROOFLIGHTS MUST ONLY BE INSTALLED BY COMPETENT CONTRACTORS.

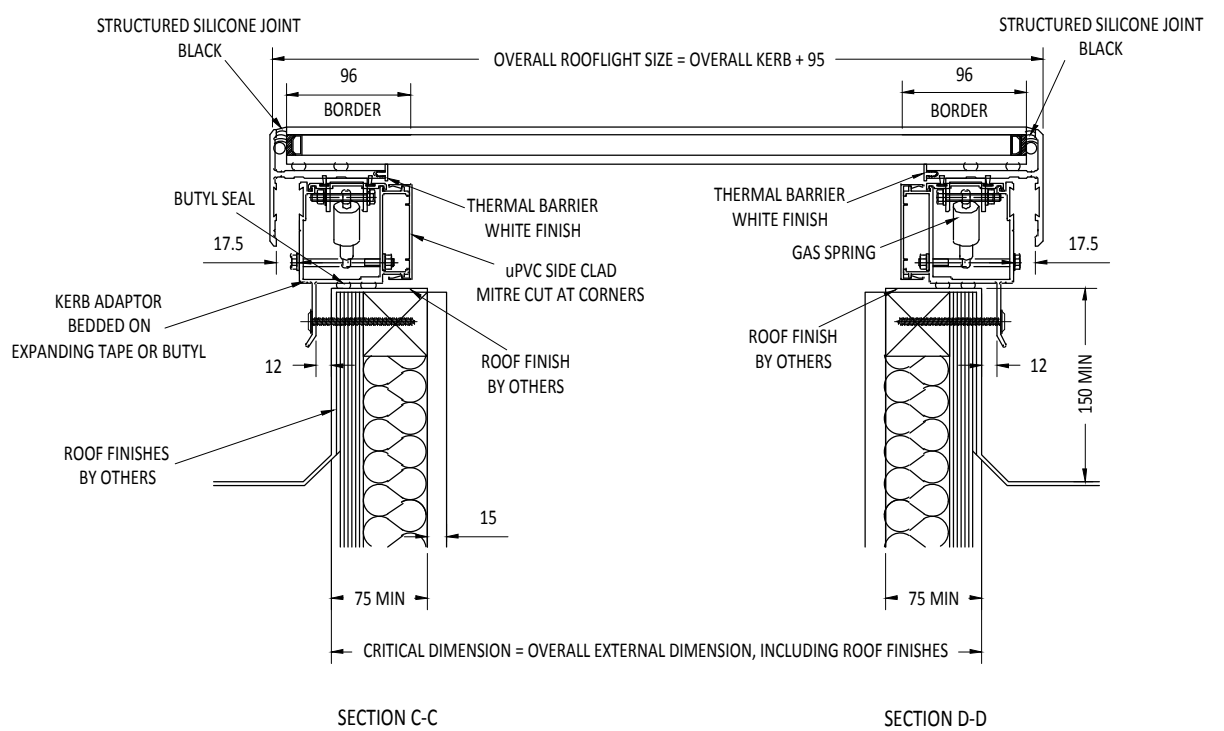
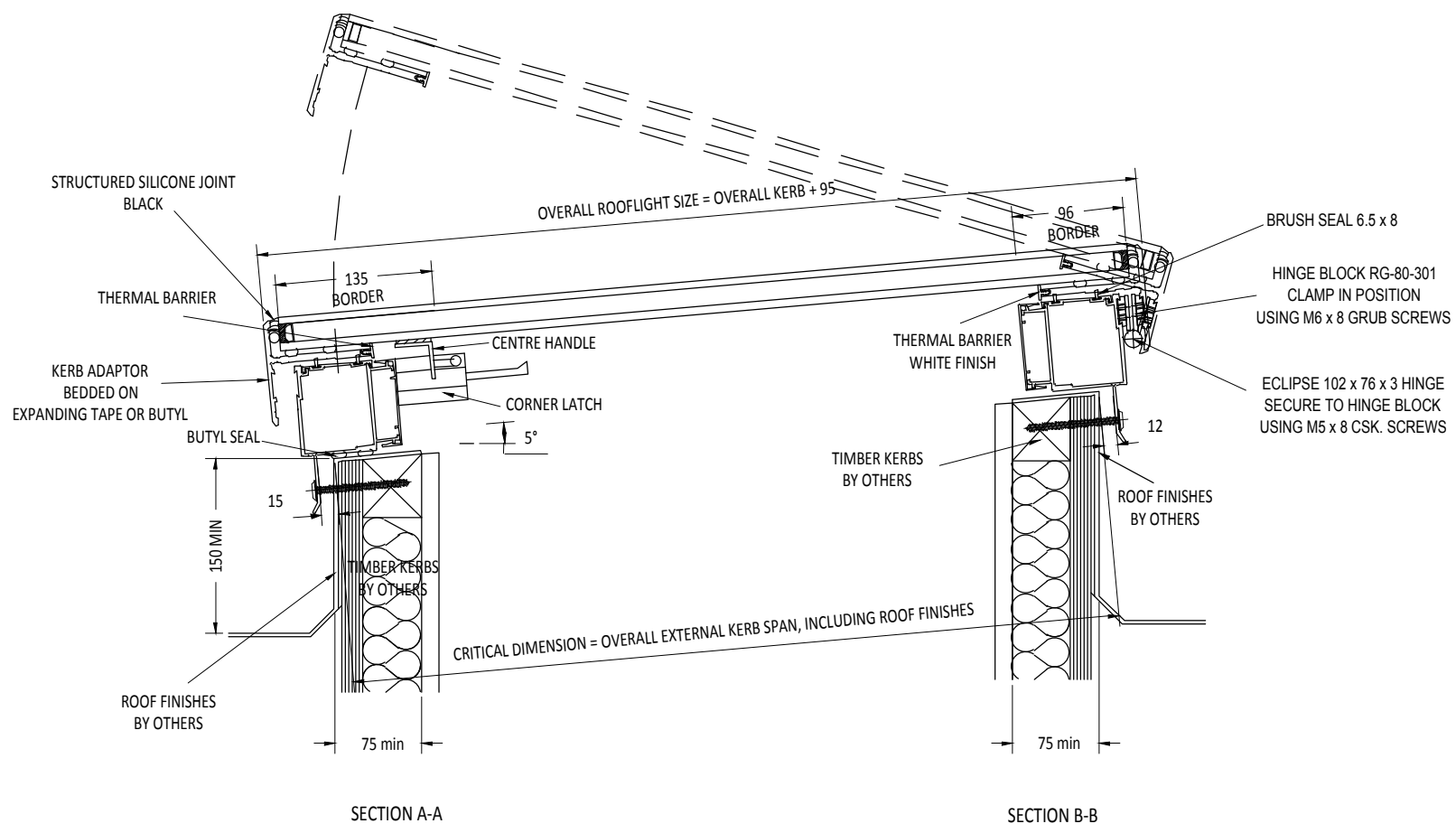
DANGER OF DAMAGING GLASS IF IT IS WALKED UPON. GLASS IS CLASSED AS NON-FRAGILE BUT SHOULD NOT BE WALKED ON. USE SPREADER BOARDS.

REFER TO RISK ASSESSMENT FOR FURTHER DETAILS.



PLAN VIEW  
True view on slope

- NOTES**
- X No. REQUIRED
- GLAZING SPECIFICATION:**
- OUTER SKIN: 6mm CLEAR TOUGHENED GLASS WITH SANDBLAST BORDER TO FACE 2
  - CAVITY: 16mm ARGON FILLED + WARM EDGE SPACER
  - INNER SKIN: 6.8mm CLEAR LAMINATED OR 6mm HST TOUGHENED GLASS WITH LOW-E COATING TO CAVITY FACE
- SILICONE BONDED
- ROOFLIGHT WEIGHT = 60kg/m<sup>2</sup>
- STANDARD DESIGN LOAD = 750 N/m<sup>2</sup>. (Please inform us if you require a higher load for wind etc.)
- SANDBLAST BORDER SHOWN AS STANDARD TO COVER GLAZING FRAME. OTHER DIMS AVAILABLE UPON REQUEST. PAINT OPTION AVAILABLE ON TOUGHENED/ TOUGHENED DGU'S ONLY.
- LIGHT TRANSMISSION = 78%
- SOLAR G VALUE = 0.63
- ACOUSTIC = 37 Rw dB Laminated or 35 Rw dB Toughened
- CENTRE PANE U VALUE = 1.1W/m<sup>2</sup>.K
- PRODUCT U VALUE = AS LOW AS 1.3 W/m<sup>2</sup>.K
- DIMENSIONS SHOWN DOWN THE SLOPE.
- MANUAL OPENING VENT ASSISTED OPENING BY 2 No. GAS SPRINGS AND 2 SHOOT BOLT INTERNAL ONLY LOCKING SYSTEM.



IF IN DOUBT ASK DO NOT SCALE	IT IS THE RESPONSIBILITY OF THE KERB DESIGNER TO ENSURE THE KERB WILL BE STRUCTURALLY ADEQUATE TO HOLD THE ROOFLIGHT. KERBS SHOWN ON R&G DRAWINGS ARE FOR ILLUSTRATION PURPOSES ONLY.	R&G would advise an installation with a minimum pitch of 5° for rooflight units to minimize water pooling. Whilst the product can be installed flat without detriment to the warranty, R&G cannot be held responsible for any excessive pooling of water to the surface of the rooflight post installation, if installed without an adequate fall.	THIS DRAWING MUST NOT BE COPIED OR PASSED TO A THIRD PARTY WITHOUT WRITTEN CONSENT FROM R&G LIMITED.	CHECKED DATE D. PUGH 11-01-2016	TOLERANCE UNLESS OTHERWISE STATED ±5 DIMENSIONS IN MM SCALE 1:3 & 1:5 @ A1	MATERIAL ALUMINIUM + GLASS FINISH POLYESTER POWDER COATING COLOUR T.B.C.	Rooflights and Glazing (R&G) Limited, LIFE'S BRIDGE INDUSTRIAL SITE, 287 NEWTON ROAD, SHIFFIELD S15 3WA, Telephone: 01424 408700, Fax: 01424 255555 E-mail: sales@rooflightsandglazing.co.uk	<b>ROOFLIGHTS &amp; GLAZING</b> TITLE: <b>DOUBLE GLAZED HINGED FLATGLASS MANUAL ACCESS HATCH</b>		DRAWING N°: <b>RG-80-303</b> SHEET 1 OF 1	REV A 1
				DATE 11-01-2016	SCALE 1:3 & 1:5 @ A1	MATERIAL ALUMINIUM + GLASS FINISH POLYESTER POWDER COATING COLOUR T.B.C.	TITLE: <b>DOUBLE GLAZED HINGED FLATGLASS MANUAL ACCESS HATCH</b>				