

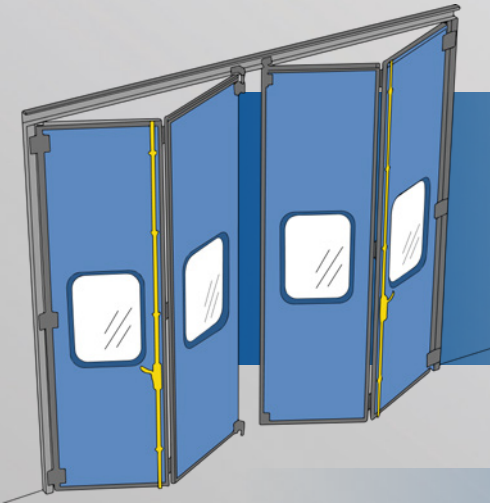


FOLDING DOORS WITH SIDEFOLDING SYSTEMS WITHOUT LATERAL DOOR FLOOR GUIDE ARE A VALID SOLUTION TO CLOSE OPENINGS UP TO 9250 MM WIDE. TOTALLY DESIGNED BY GIESSE UK, THESE DOORS CAN OPEN AT 90° OR 180°. MANUALLY OR AUTOMATED. ON REQUEST, THEY CAN BE EQUIPPED WITH DIFFERENT SIZE PORTHOLES, THE PEDESTRIAN DOOR CAN BE INSERTED IN THE PANEL OR USED AS EMERGENCY EXIT CUT LEAF. THE 52 MM THICK INSULATED DOORS ARE PRODUCED IN-HOUSE USING CUTTING-EDGE TECHNOLOGY, IN PARTICULAR, THE PRE-PAINTED STEEL SHEET, IS INITIALLY SUBJECT TO A SPECIAL THERMOMAGNETIC TREATMENT NAMED "CORONA EFFECT", WITH THE PURPOSE OF REACTIVATING THE PRIMER MOLECULES OF THE SHEET ITSELF, FAVORING THE OPENING OF PORES AND DETERMINING PERFECT ADHERENCE OF THE POLYURETHANE FOAM TO THE INNER SIDE OF THE SHEET. SMOOTH PRE-PAINTED GALVANIZED SHEET 7/10 THICK, WITH A SCRATCH-RESISTANT FILM AVAILABLE IN STANDARD COLOURS: RAL 9002 WHITE/GREY, RAL 6005 GREEN, RAL 3000 RED, RAL 5010 BLUE, RAL 9006 GREY, RAL 7016 GREY, LIGHT OAK WOOD EFFECT. THE SAME MATERIALS AND TECHNOLOGY ARE USED FOR FOLDING DOORS WITH LOWER FLOOR GUIDE, WHICH IS NECESSARY BECAUSE OF THE SIZE OF THE DOORS, EVEN WIDER THAN 20 METERS; SLIDING DOORS WITHOUT FLOOR GUIDE ARE THE RESULT OF A SPECIFIC GIESSE STUDY, FOR MAKING THE ASSEMBLY AS EASY AS POSSIBLE; AVAILABLE WITH SINGLE OR DOUBLE LEAVES, THEY CAN COVER UP TO 20 METERS IN WIDTH.



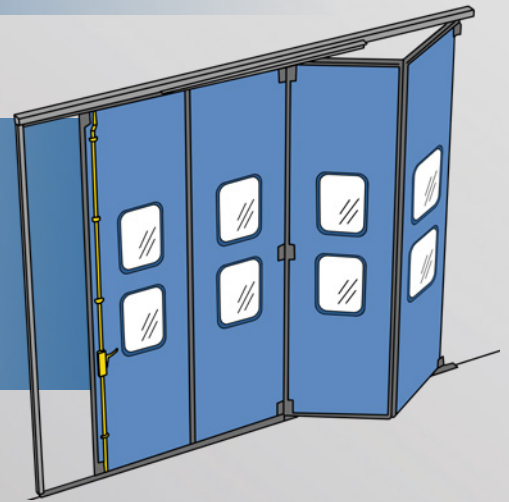


FOLDING DOORS CAN BE MADE WITH 90° OR 180° DOOR OPENING SYSTEMS, THEY CAN BE MANUAL OR AUTOMATED.



FOLDING DOORS, WITHOUT FLOOR GUIDE, WITH EXTENSIVE FUNCTIONALITY AND EASY HANDLING

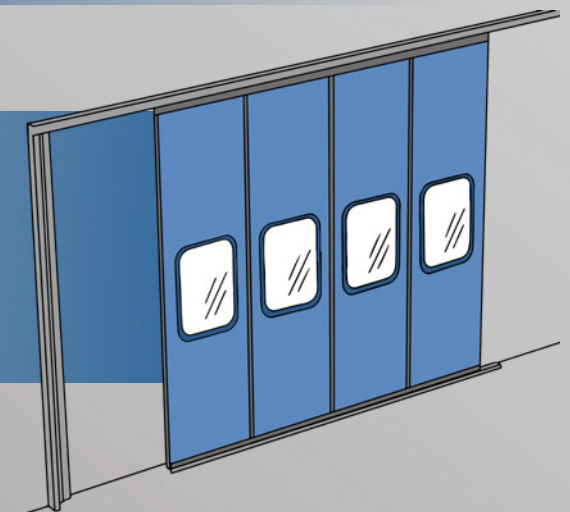
FOLDING DOORS WITH FLOOR GUIDE



DOUBLE LEAF FOLDING DOORS, WITHOUT FLOOR GUIDE.



SLIDING DOORS, WITH OR WITHOUT FLOOR GUIDE, WITH ONE OR TWO DOOR LEAVES

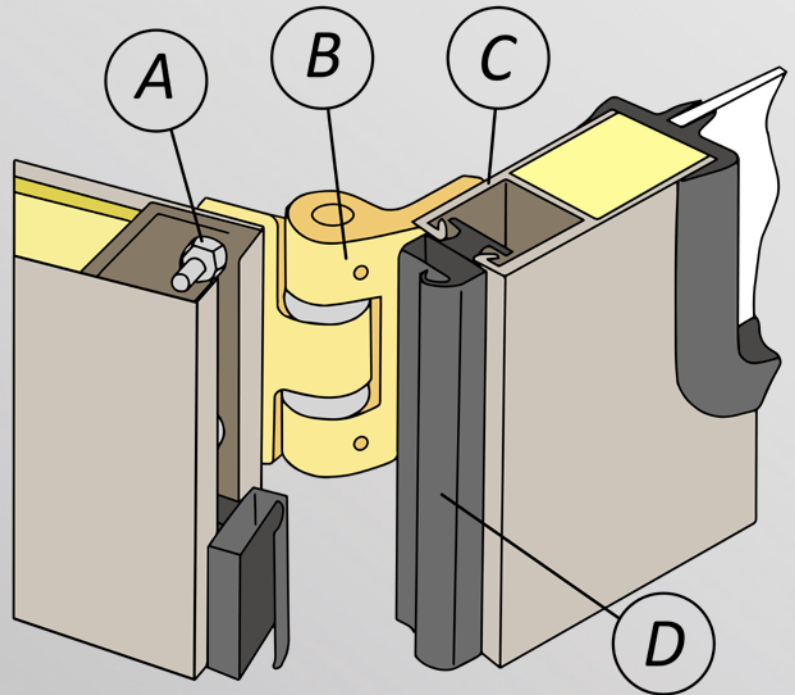




THE INSULATED PANELS, THANKS TO THE PARTICULAR DOVETAIL-SHAPED PROFILE. USED FOR THE PERIMETER FRAME, ENABLING THE INJECTION OF POLYURETHANE FOAM ALSO WITHIN THE PROFILE ITSELF, ENSURE THE TOTAL INSULATION OF THE DOOR LEAF, THUS PROVIDING HEAT BENEFITS.

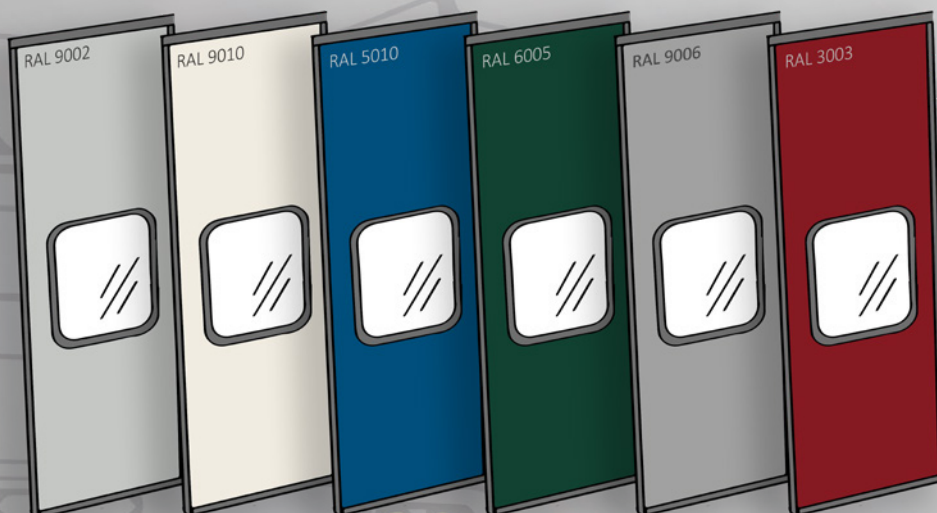
TECHNICAL SPECIFICATIONS

- A SELF-LOCKING HINGES FIXING
- B ALUMINUM HINGES
- C GALVANIZED INTERNAL FRAME
- D SEAL



STANDARD COLOURS

A WIDE RANGE OF POSSIBLE COLOURS AND RAL PAINTS, MAKE THE DOOR FIT INTO ANY ARCHITECTURAL CONTEXT.



IND DOORS
GIESSE
INGEGNERIA INDUSTRIALE
WWW.GIESEINDUSTRIA.COM

CUT DOOR LEAF

NET OPENING DIMENSIONS 1200 MM X 2100 MM (WIDTH OF 1200 IS TO BE ASSERTED BY OUR TECHNICAL DEPARTMENT). PANIC HANDLE OR HANDLE WITH INT/EXT LOCK

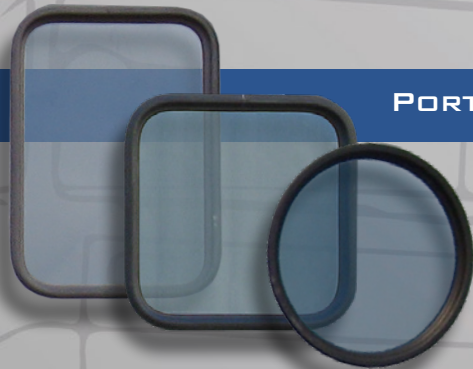


PEDESTRIAN ACCESS

WITH OR WITHOUT BOTTOM RAIL. NET OPENING DIMENSION BASED ON THE DIMENSIONAL DEVELOPMENT OF THE DOOR LEAVES. (CONTACT OUR TECHNICAL DEPARTMENT) PANIC HANDLE OR HANDLE WITH INT/EXT LOCK



PORTHOLE



VENTILATION GRIDS



ON REQUEST, IT IS POSSIBLE TO HAVE NON-STANDARD SIZE VENTILATION GRIDS, IN PAINTED METAL (RAL COLOURS). ON REQUEST, PARTIALLY OR TOTALLY GLAZED DOORS ARE SUPPLIED, BY MEANS OF INSERTION OF ALUMINUM WINDOWS (RAL COLOURS), TAILOR-DESIGNED AND TAILOR-MADE.









GIESSE UK LIMITED, HIGH SPEED DOORS - TRADE ONLY - TEL: 01795 385 249 - INFO@GIESSEUK.CO.UK

WWW.GIESSEUK.CO.UK