



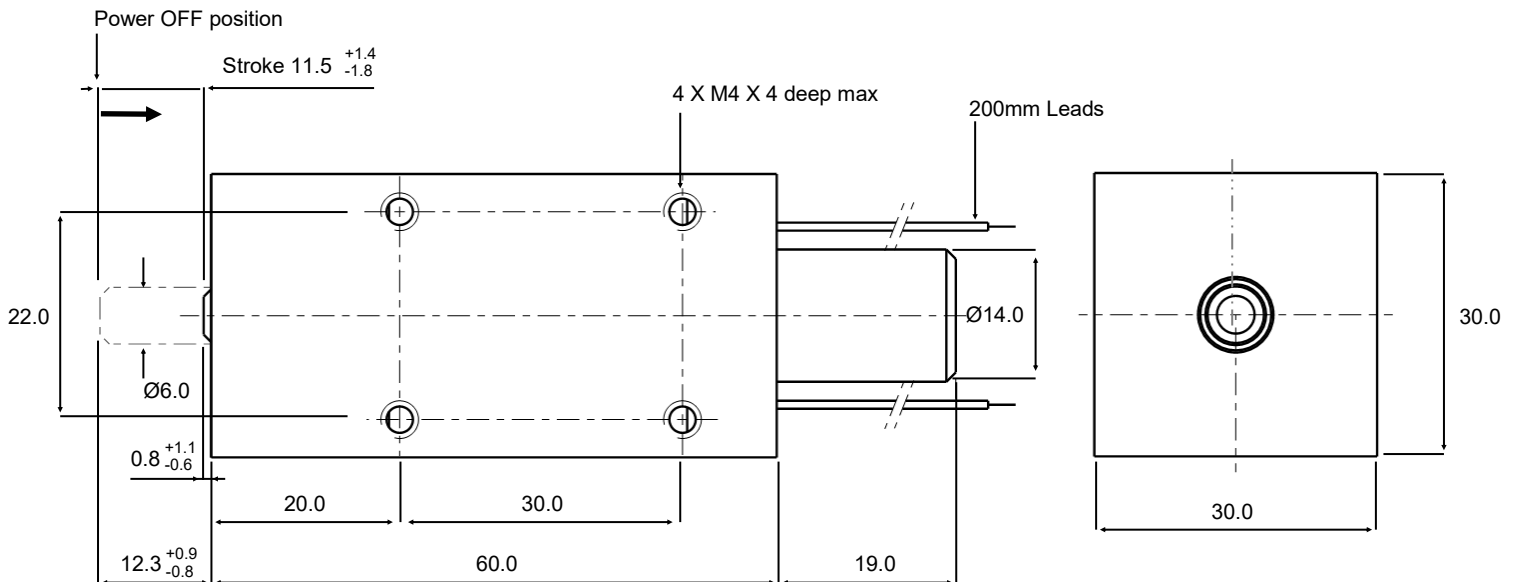
**B.20**  
**SHOTBOLT SOLENOID**  
**LOCKING POWER OFF**  
**IP40**

**BDC.20**

- Stroke: **11mm**
- Maximum radial force: **60kg**
- Input and output force: **100g**
- Standard voltage: **24V DC**
- Possible voltages: **12V DC - 200V DC**
- Power: **9W - 20°C**
- Maximum duty cycle: **100% (Permanent service)**
- Return spring: **Internal**
- Protection: **IP40**
- Service operating temperature: **-5°C, +40°C**
- Temperature rating: **B**
- Total weight: **350g**
- According to standards: **NF C 79-300**

**Example of use:**

- Cover locking
- Door locking
- Master controller locking
- Protector locking



Dimensions in mm

We reserve the right to alter or amend designs without prior notice.

B20 Rev 2 - 2017

**HE & BS Benson Ltd**

1 Laureate Industrial Estate, Exning Road, Newmarket, Suffolk UK CB8 0AR

T. +44(0)1638 663535 — 663130 F. +44(0)1638 667434 E. sales@hebsbenson.co.uk www.hebsbenson.co.uk