

M3P SLIDING DOOR

**INDUSTRIAL COLD STORAGE DOOR FOR INDUSTRIAL USE.
CHILLER, FREEZER ROOMS OR DRYING ROOM APPLICATION.**

TECHNICAL DESCRIPTION

INSULATION Door blade mm.	MINIMUM INT. TEMP.	MAXIMUM INT./EXT TEMPERATUR E.	A (mm.) Manual Operation	A (mm.) Electric Operation	B (mm.)	C (mm.)
60	+ 5° C	+/- 35° C	350	500	240	Clear Opening + 350
90	0° C	+/- 35° C	350	500	270	Clear Opening + 350
120	- 30° C	+/- 50° C	350	500	300	Clear Opening + 350
160	- 40° C	+/- 65° C	350	500	340	Clear Opening + 350

◆Frame

Description: Extruded aluminium profiles thermal bridge free (equipped with double Polyamide profiles inserts), in two points of the frame.

Aluminium or ABS cap (depending on the application) to make sure contact between the frame and the gasket of the door, and in freezer doors to cover the gap where the heating tape is place on the whole frame perimeter.

For special applications, it is possible to place a frame profile to improve the adjustment of the door blade. Aluminium caps to cover frame's screws.

White lacquered RAL 9010 or brushed aluminium (stainless steel colour), depending on the finish of the door blade and panel.

Fitting: Onto insulating panels by means of self drilling screws and 2 components PU foam injection. Also available to be fitted onto brickwork or steelwork.

Can be adapted to different panel or brickwork by means of adjustable modular couplings.

Heating: Freezer doors: heating tape of 40 W/m to be connected to 220 VAC.

Blast freezer doors: heating tape of 65W/m to be connected to 220 VAC.

Bottom crossbeam: Cold storage doors: Galvanized Iron U60 profile (cold rolled laminated), equipped with guiding cams.

Freezer doors: Galvanized Iron U60 double profile (cold rolled laminated), with heating register and guiding cams.

◆Door blade

Construction: manufactured with interchangeable panels.

Insulation: High pressure injected polyurethane foam 50Kg/m³ (Bayer)-free of CFC and HCFC.

Thickness: 60 up to 160 mm.

Internal and external finishing: 0'8mm. steel sheet, white lacquered (not RAL), PVC coated or stainless steel AISI 304.

Edge profiles: 2mm AISI 304 stainless steel lateral bumpers.

Sealing: Compact EPDM joint profile, pressure-inserted into rigid PVC support.

(Note: double profile in freezer doors).

Bottom guide: Extruded aluminium profile natural lacquered finishing.

Hardware: External lever type opener, internal articulated opener (stainless steel option for each one).

Screws: Stainless steel.

◆Track:

Construction: 3 mm stainless steel track support.

Guiding bar: Extruded aluminium profile of 40x15 mm.

Ball bearings: made of polyamide 60 mm diameter with bearings.

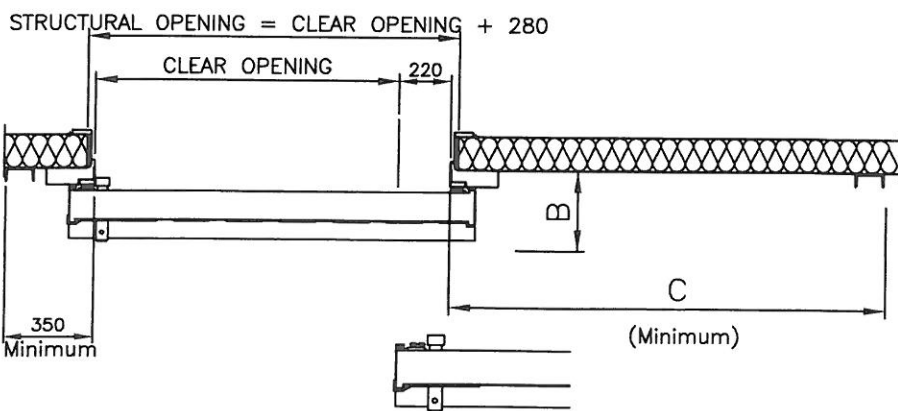
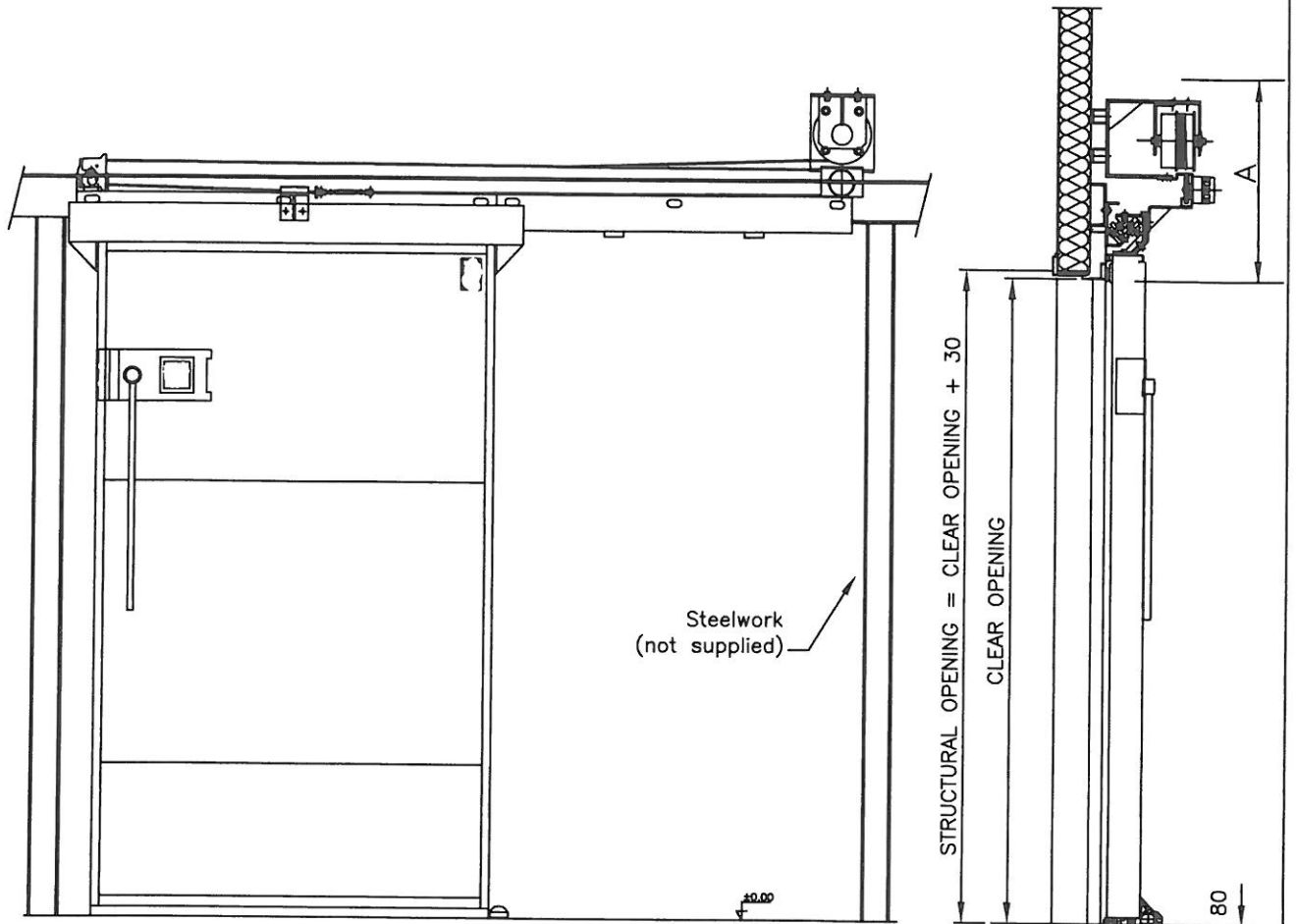
Bearing's heads and support: extruded aluminium profile.

◆Options: Lock and key

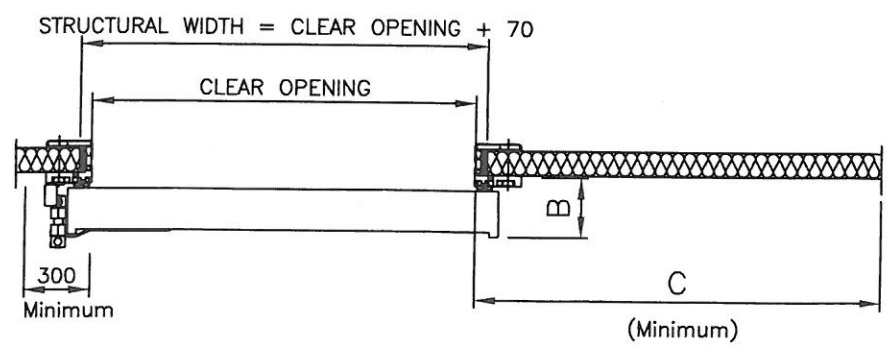
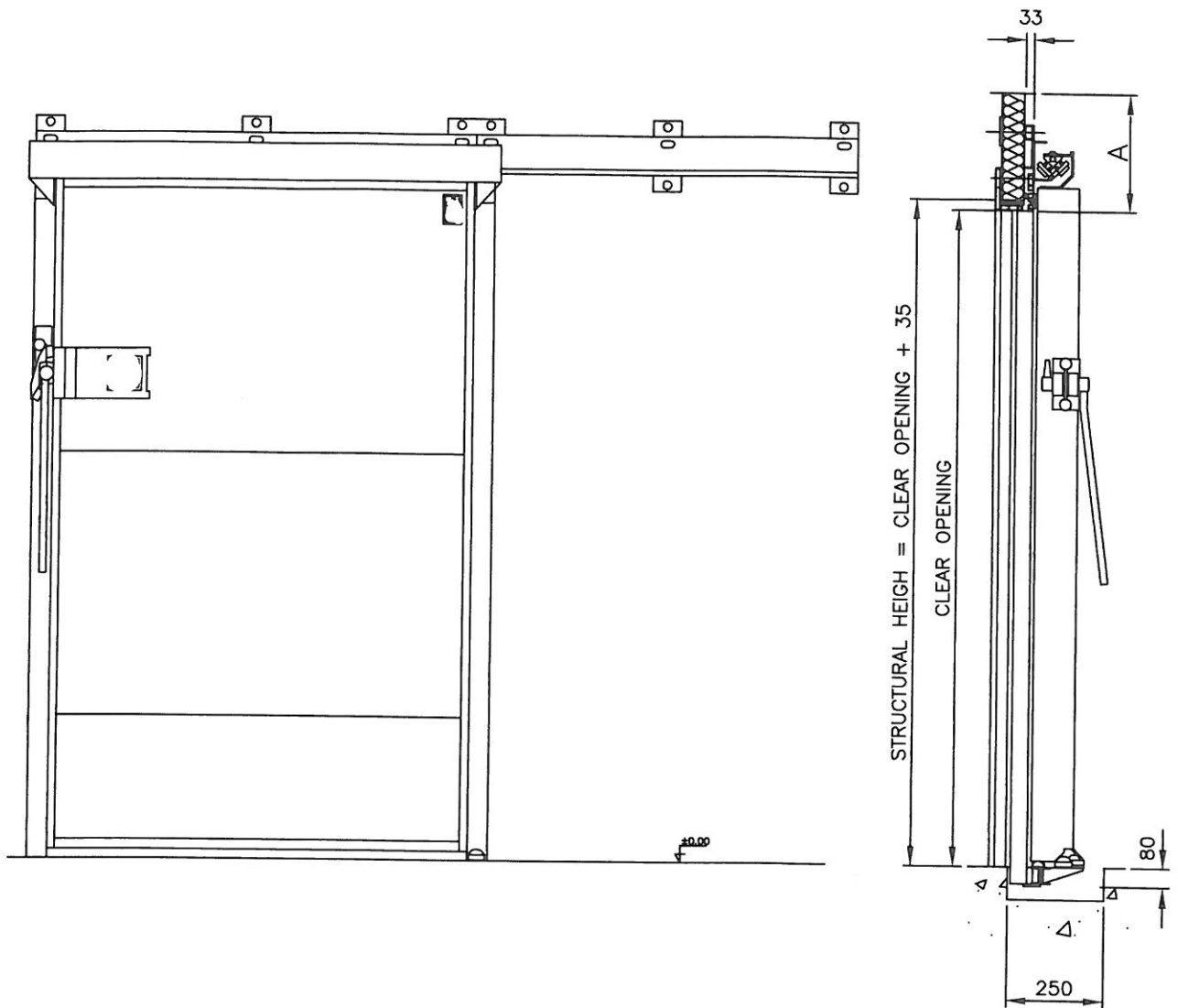
Crash bar

Meat rail slide-way

Electric drive unit.



	Sliding Door	
	M3P EI-60	
	Industrial Door	
	Normal	



	Sliding Door	
	M3P THAL-01 Frame	
	Industrial Door	
	Intensive	