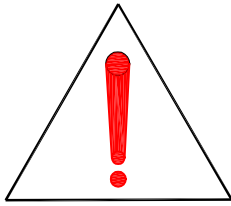
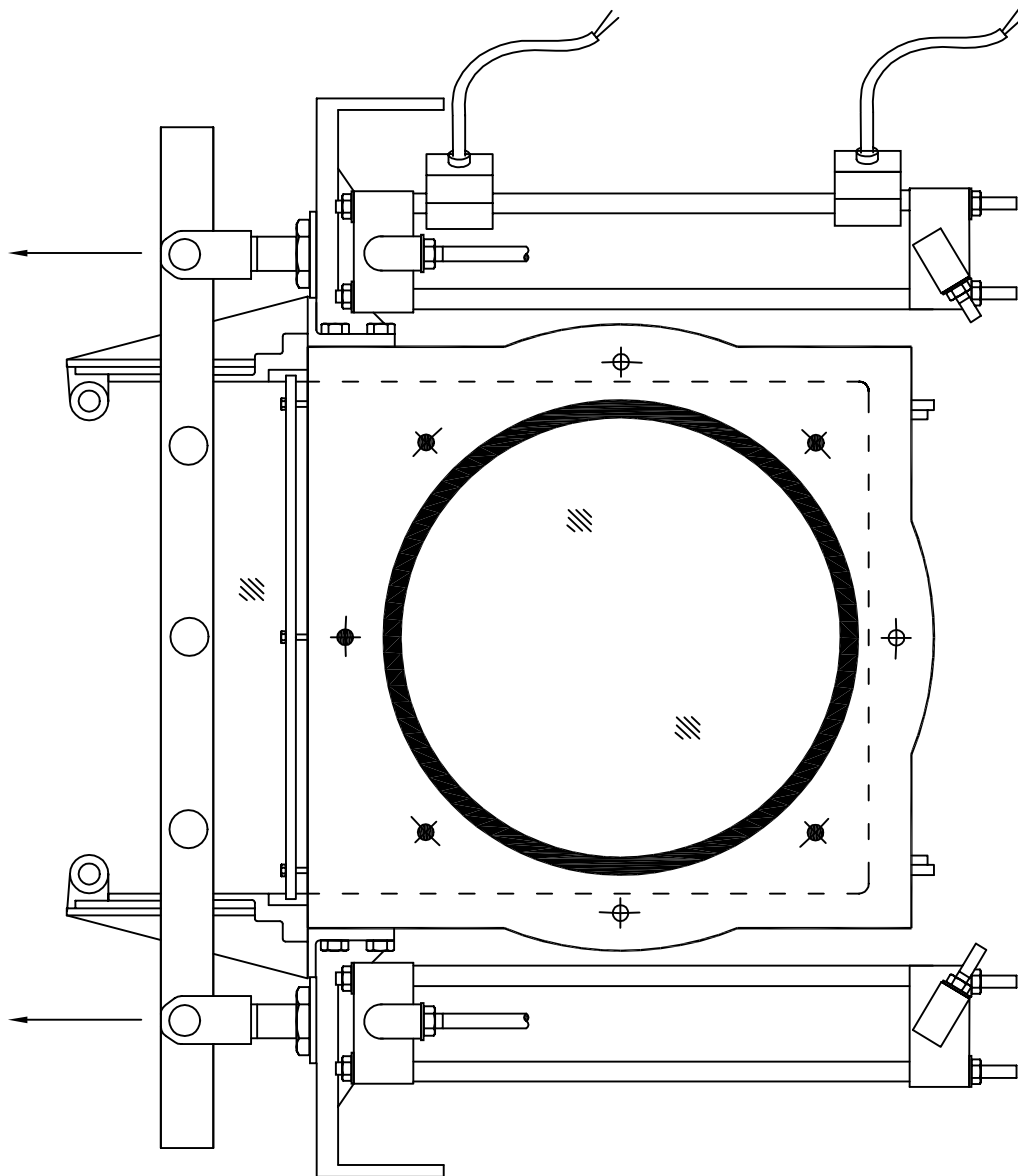


# CAUTION! - Installation note for all "SB" Series SLIDE GATE VALVES



*Bolt length through the top flange of the valve must not exceed 12mm (0.472").  
Bolts exceeding 12mm will strike the slide plate, preventing movement and damaging the sliding surface.*

Interfering Hole = ●  
Non-Interfering Hole = ○



Copyright 1999 Bush & Wilton, Inc. - All Rights Reserved

**BUSH & WILTON, INC.**

P.O. Box 691385 | Charlotte, NC 28227- 7024

Tel: 704.573.6858 | Fax: 704.573.6802

mail@bushandwilton.com

<http://www.bushandwilton.com>