

# heatmiser®



POWER BOILER VALVE 1 2 3 4 5 6 7 8

CE Manufactured in UK by: Heatmiser UK Ltd  
www.heatmiser.com

UH8

WARNING: 230v-50Hz  
DISCONNECT FROM ELECTRICAL SUPPLY  
BEFORE REMOVING THIS COVER

Model: UH8



## UH8 – Installation Manual

### Description

The UH8 is an 8 Zone wiring centre for use with Heatmiser 230v thermostats.

The UH8 can be used to control any actuator or valve which requires a 230v AC signal. At the same time the UH8 offers the ability to operate a boiler or other heat source through a volt free output.

Additional outputs designed for use with underfloor heating systems are also included as standard. These are the pump and valve outputs which would normally operate a manifold pump or a manifold valve.

Zone 8 can be used as an isolated radiator zone by using the UFH/RAD switch.

If the switch is set to **RAD**;

When zone 8 calls for heat this will provide an output to a radiator zone valve and the boiler, but **WILL NOT** enable the underfloor heating pump/valve output.

If the switch is set to **UFH**;

When Zone 8 calls for heat, this will act as an underfloor heating zone, by enabling the actuator, boiler and pump/valve outputs.

Any output which is not needed can be ignored.



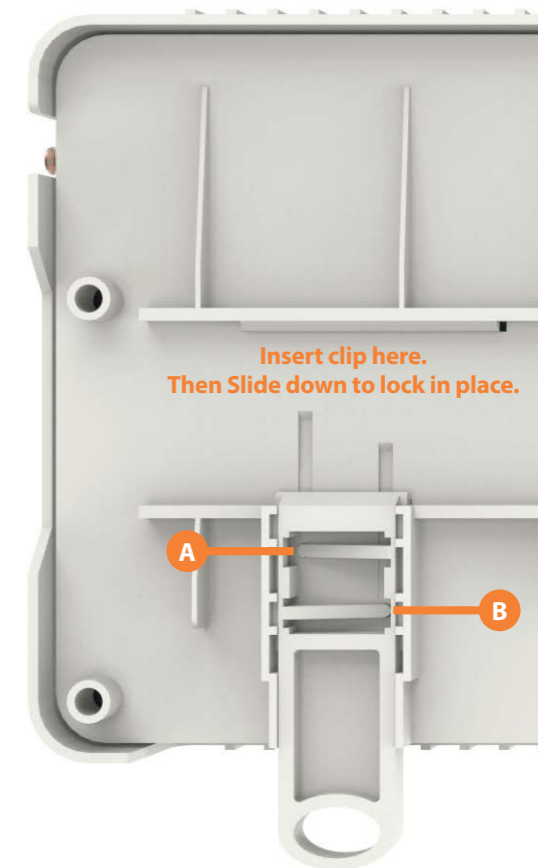
## Installation

The UH8 can be mounted directly to a wall using four screws or alternatively, the unit can be DIN rail mounted.

When DIN Rail mounting, you first need to insert the two clips provided on the back of the UH8, as shown in the image;

- On the back of the UH8, position the clip in the middle and slide down.
- Points A and B locate in the corresponding holes and lock into place.
- Locate the UH8 onto the DIN rail from the top.
- Pull the clip down and push the bottom of the UH8 onto the DIN rail.
- Releasing the clip will lock the UH8 in place on the DIN rail.

To remove the UH8, pull both clips down and remove from the DIN rail.





## UH8 Wiring

### Connections

#### Mains Supply

Power supply into the UH8 which should be fused at 5 amps these connections are marked

L = live or phase 230v AC 50/60Hz

N = Neutral

E = Earth

#### Heat Enable

This is the main call for heat for the system, there are 3 connections;

LS = Live Supply

E = Earth

LR = Live Return

Electrically this is a volt free switch, whatever supply is placed on the LS connection, is fed to the LR connection when there is a call for heat.

#### Time Clock

L = Live supply

E = Earth

N = Neutral supply

1 = Switch live input from time clock, this triggers the time clock 1 terminal on the thermostat connections.

2 = Switch live input from time clock, this triggers the time clock 2 terminal on the thermostat connections.

### Zones 1...8 (Inputs)

Zone inputs are clearly marked at the top of the circuit board;

L = Live supply to thermostat.

1 = Timed switch live to thermostat, triggered by time clock 1 input.

2 = Timed switch live to thermostat, triggered by time clock 2 input.

E = Earth

N = Neutral supply to thermostat.

S/L = 230v switch live from thermostat, this activates the corresponding zone output.

### Zones 1...8 (Outputs)

Zones outputs are clearly marked

L = live out to actuator or valve

N = neutral to actuator or valve

There are two connections live (L) and neutral (N), both terminals marked L are the same and both terminals marked N are the same.

Each zone output corresponds to the thermostat wired in at the top of the pcb.

### UFH Pump

Used for an underfloor heating manifold pump.

Connections are clearly marked

L = Live

E = Earth

N = Neutral

When an under-floor heating zone sends a call for heat to the UH8, the live & neutral output will supply 230v to the manifold pump.

It is recommended that this is fed through a high limit switch placed on the heating manifold, to protect against mechanical failure of the manifolds temperature control.

### UFH Valve

Used for an underfloor heating manifold valve.

Connections are clearly marked;

Or = Orange

Gr = Grey

L = Live

E = Earth

N = Neutral

When an under-floor heating zone sends a call for heat to the UH8, the live & neutral output will supply 230v to the manifold valve.

The auxiliary wires of the valve, usually grey & orange, are wired to the Gr & Or terminals.

### Fuses

**Fuse 1.** 5amp, 20mm anti-surge fuse, this fuse supplies power to all 230v outputs from the board it protects the zone, pump/valve outputs.

### Ratings

Number of Heating Zones	8
Neon Indication	Y
DIN Rail Mounting	Y
<b>Supply</b>	230v AC 50Hz 1 Phase
<b>Relay Load Max</b>	3 Amp Resistive
<b>Total Load Max</b>	5 Amp Resistive
<b>IP Protection</b>	IP20
<b>Installed Dimensions (L,H,D)</b>	384 x 148 x 60mm
<b>Weight</b>	800g



# UH8 – DS-SB & TM4 (4 Under-floor & 1 Radiator zone)

UFM UNDER FLOOR MANIFOLD

LIVE

TIMER LIVE

SWITCH LIVE

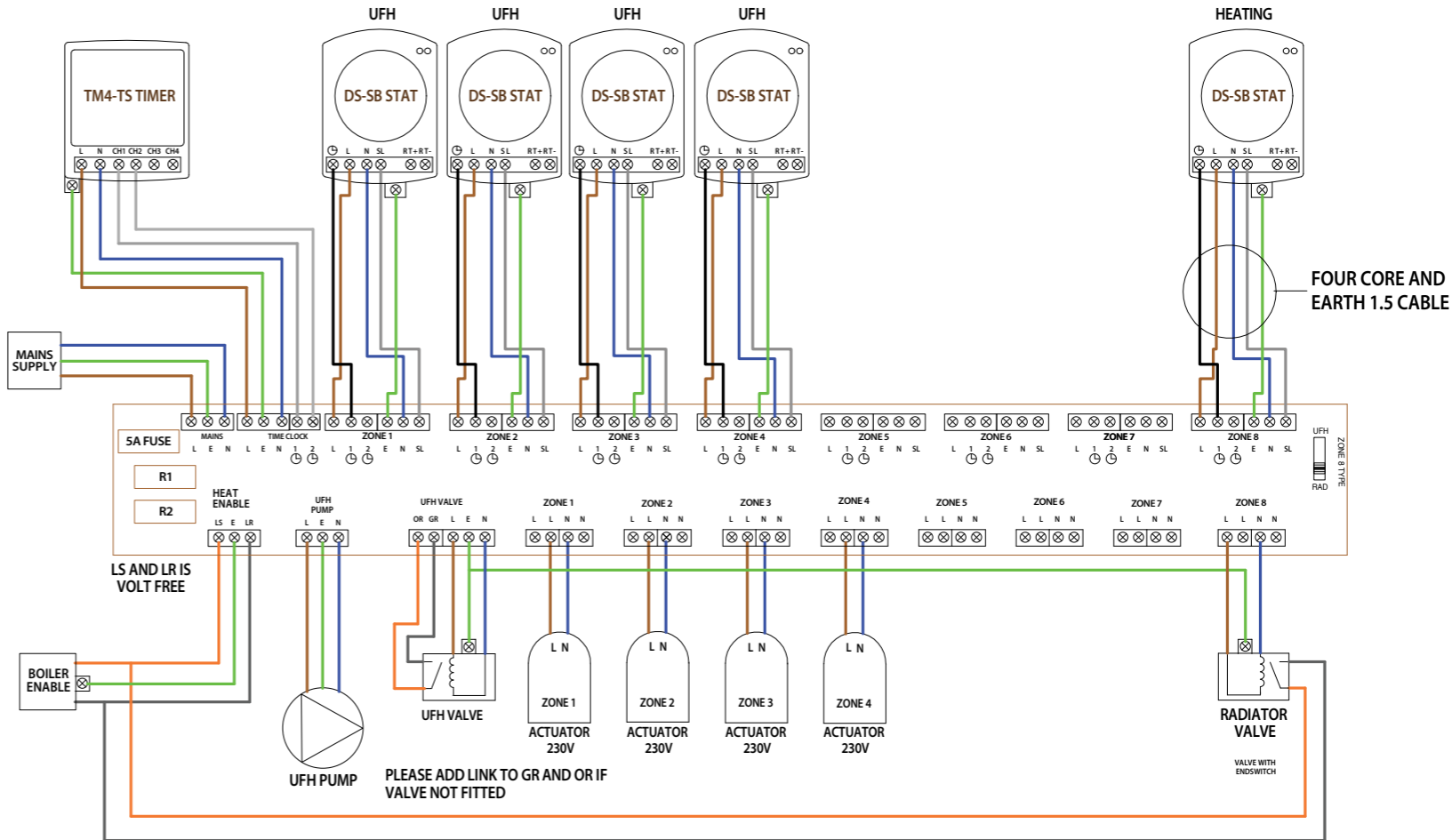
NEUTRAL

EARTH

END SWITCH AND BOILER ENABLE

BOILER ENABLE

This equipment should be installed by an appropriately qualified/registered electrician. Fully read the instructions for proper wiring before applying power. The warranty does not cover damage from improper wiring or installation.





# UH8 – neoStat (7 Under-floor & 1 Radiator zone)

UFM UNDER FLOOR MANIFOLD

LIVE 

SWITCH LIVE 

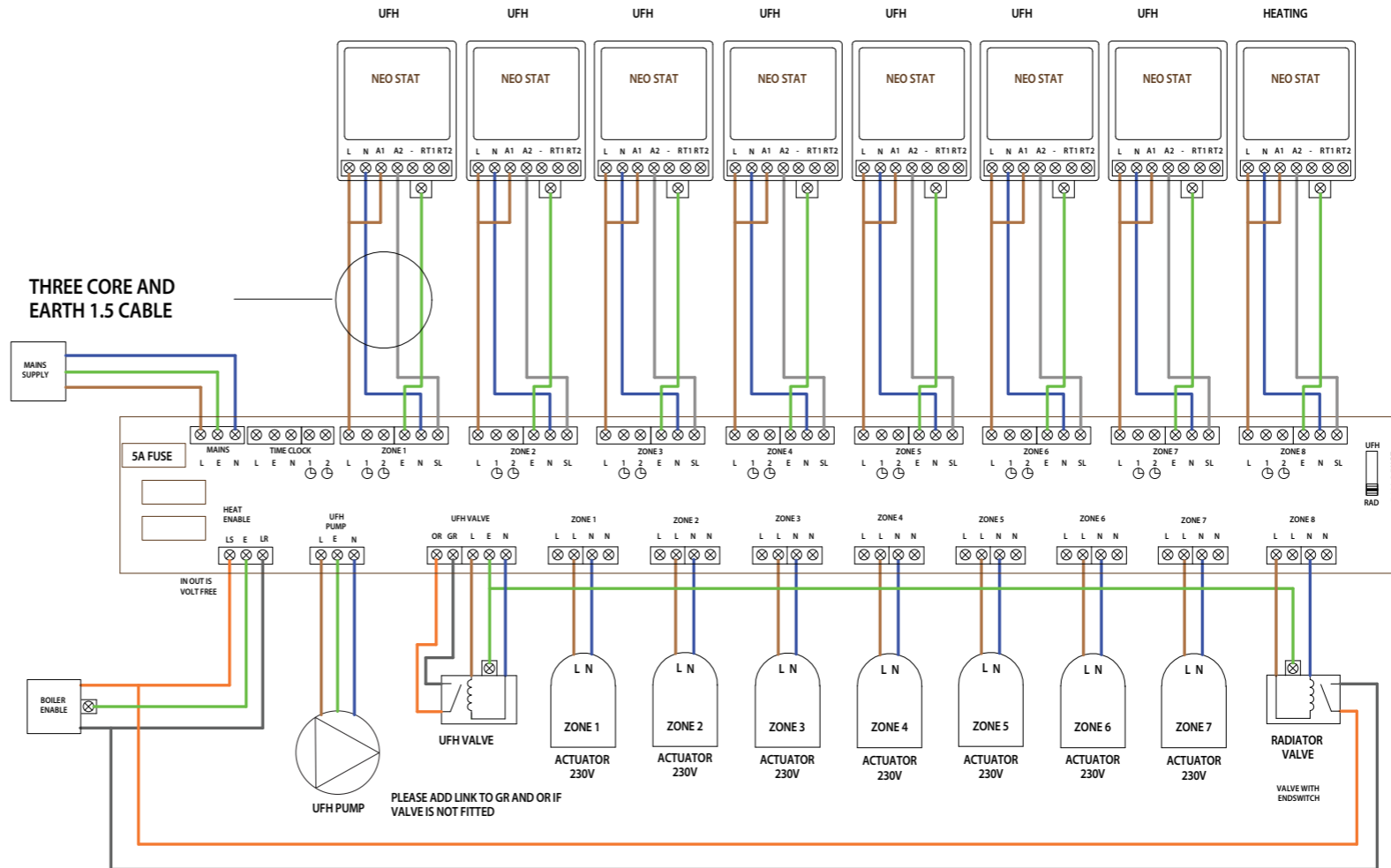
NEUTRAL 

EARTH 

END SWITCH AND BOILER ENABLE 



This equipment should be installed by an appropriately qualified/registered electrician.  
Fully read the instructions for proper wiring before applying power.  
The warranty does not cover damage from improper wiring or installation.





# UH8 – Heatmiser 230v Thermostat Wiring

UFM UNDER FLOOR MANIFOLD

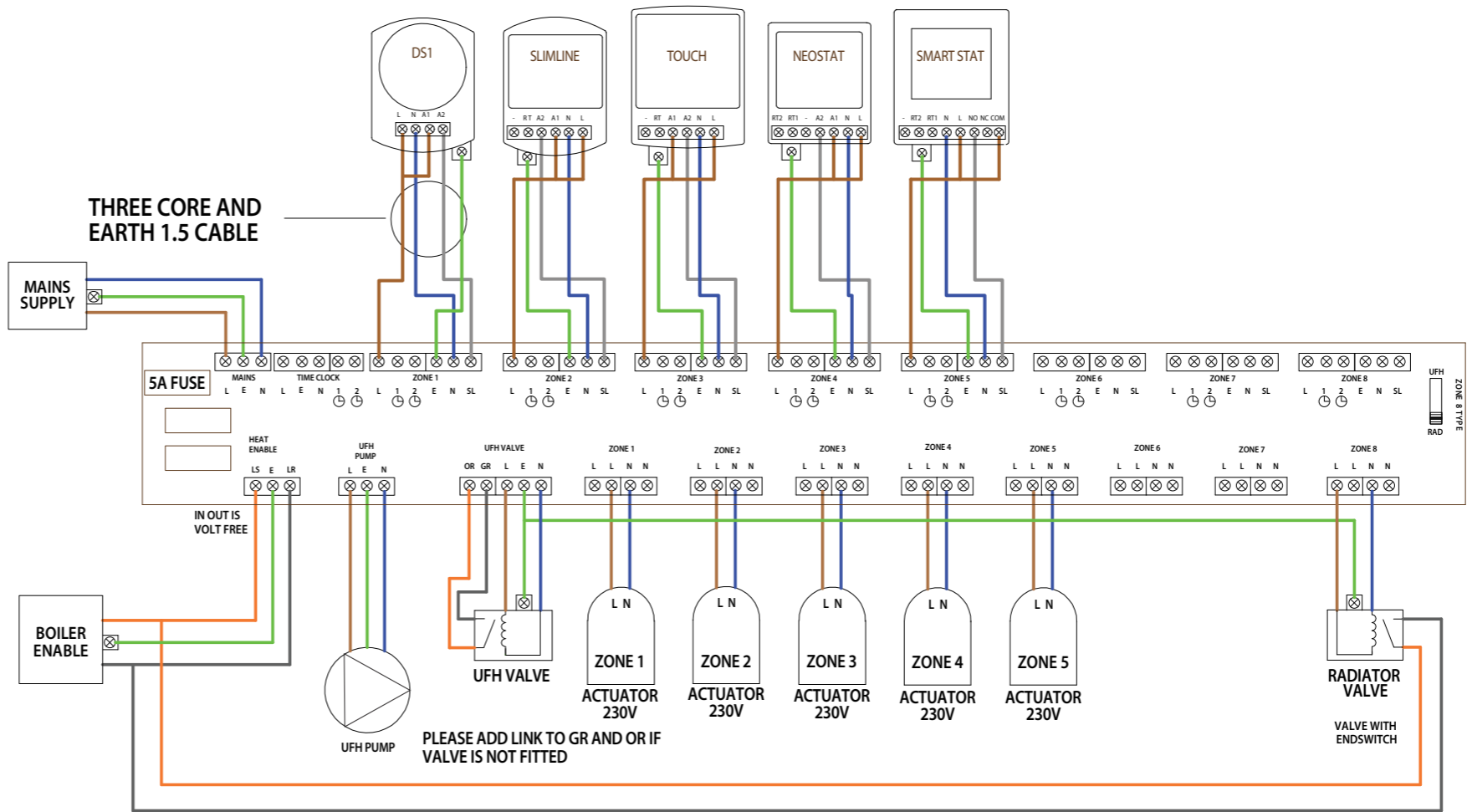
LIVE

SWITCH LIVE

NEUTRAL

EARTH

END SWITCH AND BOILER ENABLE



This equipment should be installed by an appropriately qualified/registered electrician.  
 Fully read the instructions for proper wiring before applying power.  
 The warranty does not cover damage from improper wiring or installation.



# System Configuration

PLEASE COMPLETE DURING INSTALLATION



# Notes

UH8 Title: .....

	In Use	Zone Type		Zone Title
		Under-Floor	Radiator	
Zone 1	<input type="checkbox"/>	<input type="checkbox"/>	<input type="checkbox"/>	
Zone 2	<input type="checkbox"/>	<input type="checkbox"/>	<input type="checkbox"/>	
Zone 3	<input type="checkbox"/>	<input type="checkbox"/>	<input type="checkbox"/>	
Zone 4	<input type="checkbox"/>	<input type="checkbox"/>	<input type="checkbox"/>	
Zone 5	<input type="checkbox"/>	<input type="checkbox"/>	<input type="checkbox"/>	
Zone 6	<input type="checkbox"/>	<input type="checkbox"/>	<input type="checkbox"/>	
Zone 7	<input type="checkbox"/>	<input type="checkbox"/>	<input type="checkbox"/>	
Zone 8	<input type="checkbox"/>	<input type="checkbox"/>	<input type="checkbox"/>	

.....

.....

.....

.....

.....

.....

.....

.....

.....

.....

.....

.....

.....

.....

.....

.....

.....

.....

.....

.....

.....

.....

.....



## Notes

A series of horizontal dotted lines for writing notes, spanning the width of the page.



## Notes

A series of horizontal dotted lines for writing notes, spanning the width of the page.





## Want More Information?

Call our support team on: +44 (0)1254 669090

Or view technical specifications directly on our website:

[www.heatmiser.com](http://www.heatmiser.com)



PDF



FAQ



VIDEO



Follow us on:  
**twitter**

Twitter: @heatmiseruk



Find us on:  
**facebook**

Facebook: facebook.com/thermostats

## Products Commonly used with the UH8 wiring centre.



DS-SB



TM4



SmartStat



NeoStat