

Safe. Efficient. Strong.



Self Dumping Bins

Increase your safety and profitability with the A-D Series Self Dumping Bins from Boscaro.

Engineered for optimal safety and efficiency, the A-D Series' hands-free function saves time and increases safety. These bins can be operated and unloaded independently by your crane operator.

All Boscaro below-the-hook accessories are certified for use across North America and meet or exceed **ASME B-TH1/ B30.20** standards.

Each unit comes with a dedicated serial number and conformity statement which ensures compliance with ASME.



FEATURES

- Designed for hands-free unloading
- Proven safety, strength and longevity
- Durable powder coated finish
- 100% Welded steel construction
- Meets or exceeds all ASME Standards
- 16 Sizes to choose from

“Boscaro products have proven time and time again their quality, safety, and durability. Boscaro products continue to offer significant value on our projects.”

ED HAWTHORNE, SAFETY MANAGER
Walsh/PCL- JV II



Supply & Service
Across North America

www.bigfootcrane.com
1-855-598-3915

Safe. Efficient. Strong.

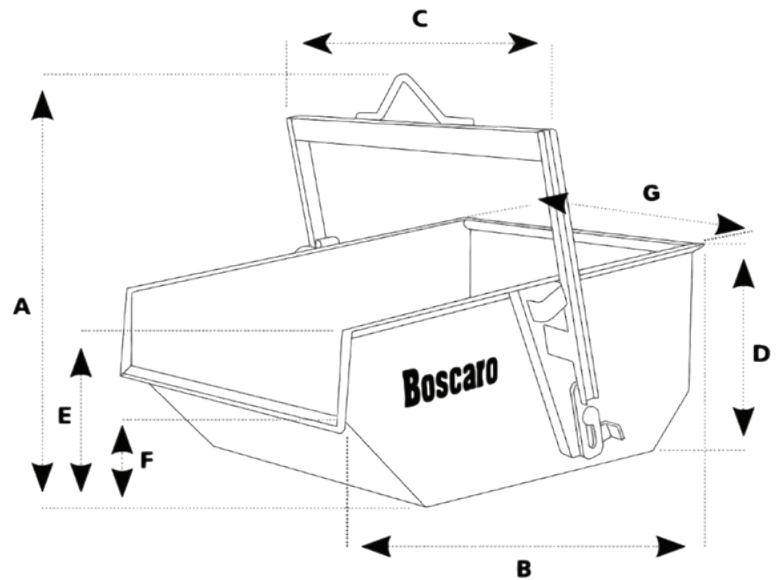
Self Dumping Bins

Model A-D Series



"The best money we've ever spent on crane accessories."

MIKE DAWSON, PRESIDENT
Big Red Crane Company, Inc.



SPECIFICATIONS

MODEL	CAPACITY	A	B	C	D	E	F	G	PAYLOAD	WEIGHT
A-20D	0.26 cu yd	2'6"	3'3"	2'8"	1'6"	1'2"	0'9"	2'6"	882 lb.	155 lb.
A-25D*	0.33 cu yd	2'8"	3'4"	2'9"	1'6"	1'2"	0'8"	2'4"	1,102 lb.	165 lb.
A-30D*	0.39 cu yd	3'3"	3'9"	2'8"	1'8"	1'5"	1'2"	2'6"	1,323 lb.	176 lb.
A-35D	0.46 cu yd	3'3"	3'9"	3'1"	1'8"	1'5"	1'2"	2'9"	1,543 lb.	187 lb.
A-40D*	0.52 cu yd	3'3"	3'9"	3'5"	1'8"	1'7"	1'2"	3'2"	1,764 lb.	198 lb.
A-50D*	0.65 cu yd	3'6"	4'2"	3'5"	2'0"	1'7"	1'3"	3'2"	2,205 lb.	220 lb.
A-60D	0.78 cu yd	3'6"	4'2"	3'8"	2'0"	2'0"	1'3"	3'6"	2,646 lb.	243 lb.
A-70D*	0.92 cu yd	4'5"	5'0"	3'4"	2'5"	2'0"	1'10"	2'10"	2,469 lb.	254 lb.
A-80D*	1.05 cu yd	4'1"	5'0"	3'9"	2'5"	2'0"	1'2"	3'6"	3,527 lb.	330 lb.
A-99D	1.30 cu yd	4'5"	5'6"	4'6"	2'9"	2'2"	1'3"	4'2"	4,409 lb.	507 lb.
A-150D	1.96 cu yd	4'5"	5'6"	4'7"	2'9"	2'9"	2'1"	4'4"	6,614 lb.	650 lb.
A-200D	2.62 cu yd	5'0"	6'5"	5'3"	3'1"	2'8"	1'8"	4'6"	8,818 lb.	1,202 lb.
A-300D	3.92 cu yd	5'3"	7'1"	6'4"	3'3"	3'0"	1'10"	5'8"	13,228 lb.	1,477 lb.
A-400D	5.23 cu yd	6'7"	8'4"	7'4"	3'7"	3'3"	2'3"	6'7"	17,637 lb.	2,535 lb.
A-600D	7.85 cu yd	7'9"	9'2"	7'4"	4'7"	4'3"	2'9"	6'7"	26,455 lb.	3,527 lb.
A-800D	10.46 cu yd	9'0"	11'2"	7'4"	5'6"	5'2"	3'5"	6'7"	35,274 lb.	5,952 lb.

* SPECIAL ORDER MODELS



Bigfoot Crane Company Inc. supplies and services Boscaro equipment across North America.

www.bigfootcrane.com

Call Toll Free
1-855-598-3915

Talk To An Expert