

# COOLSTRIP classic

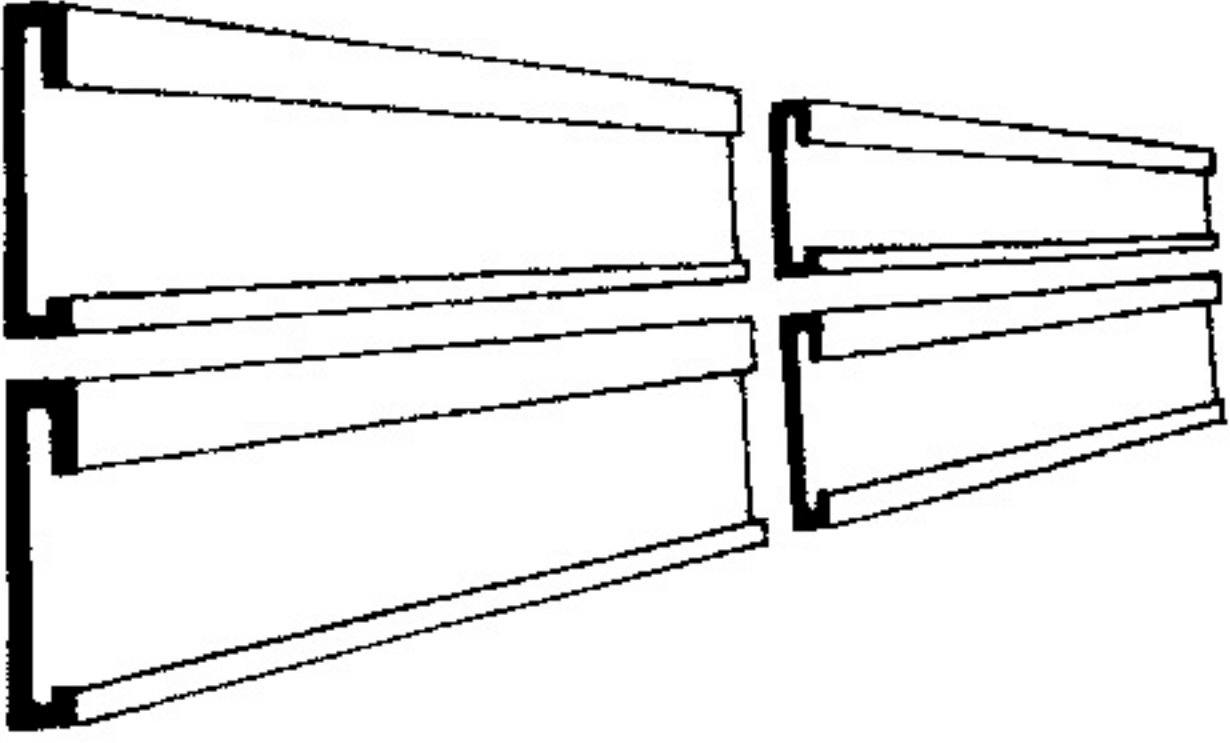
## FITTING INSTRUCTIONS for Deli-counters

Please follow these instructions carefully to ensure your COOLSTRIP classic curtains hang correctly for maximum energy saving.

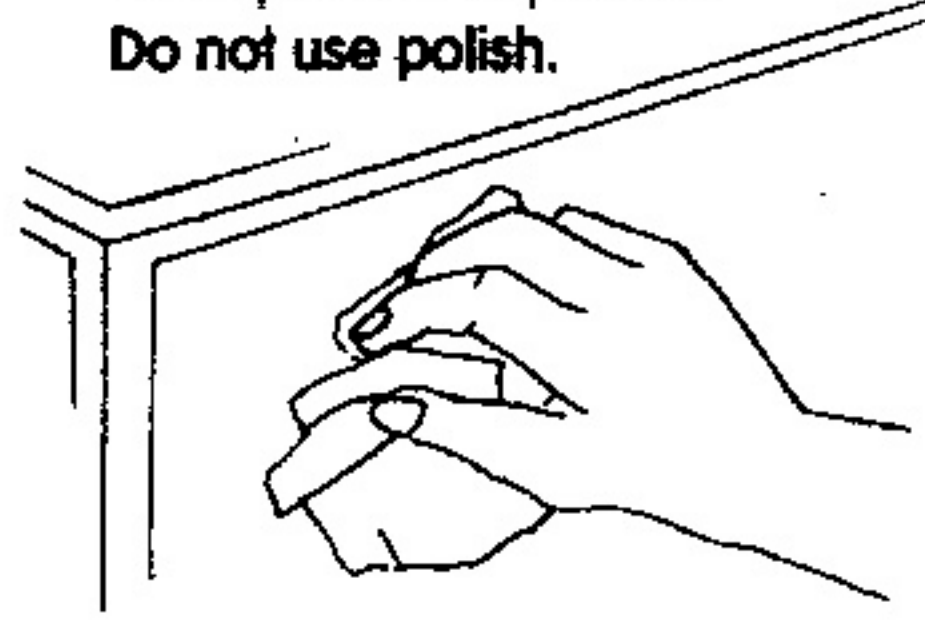
**This pack contains the following components:**

Your COOLSTRIP classic curtain(s); C-sections, including a short length for storage purposes; surface cleaner.

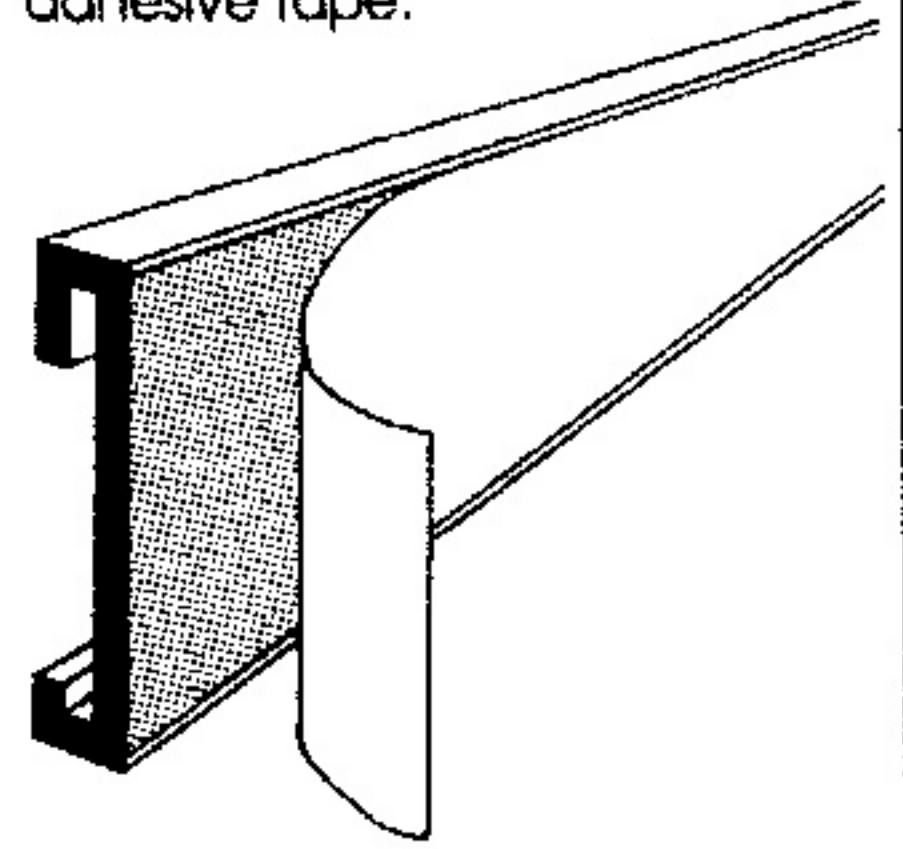
- 1** Sort the C-sections into identical pairs and make sure they fit the deli-counter widths.



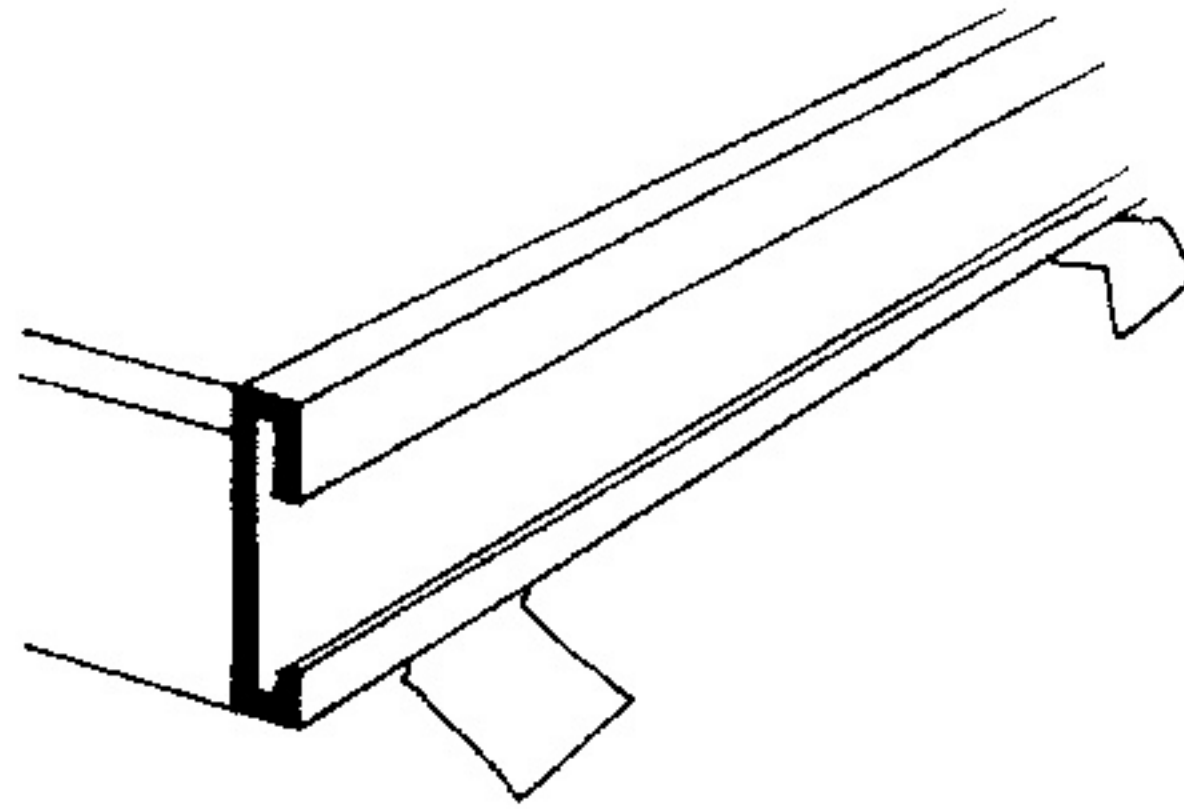
- 2** The surface to which the C-sections are to be fitted must be clean and dry. Please use the surface cleaner provided, wiping it in one direction only and then allow five minutes for the liquid to evaporate. **Do not use polish.**



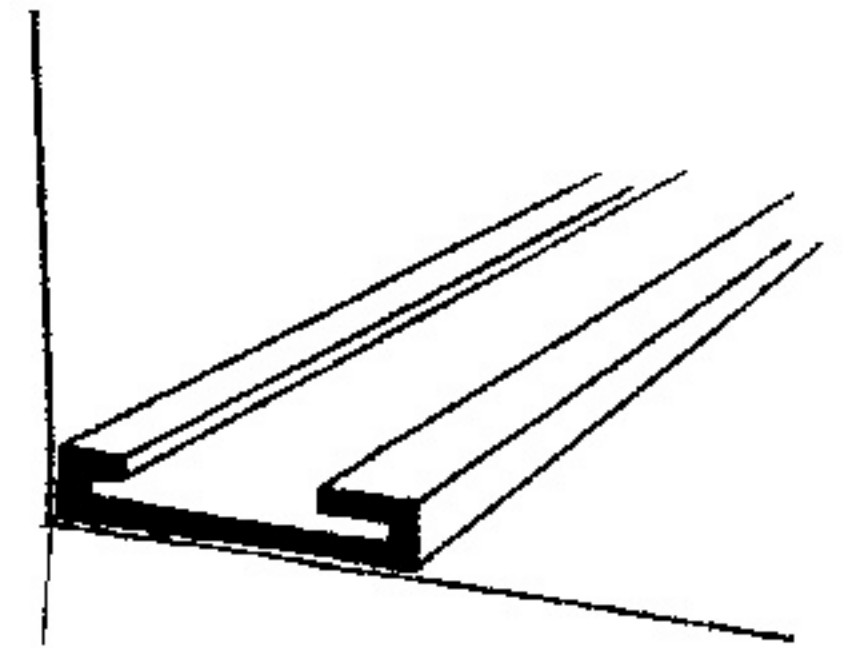
- 3** Take a C-section and peel off about 2" (5cms) of the release strip from each end of the self-adhesive tape.



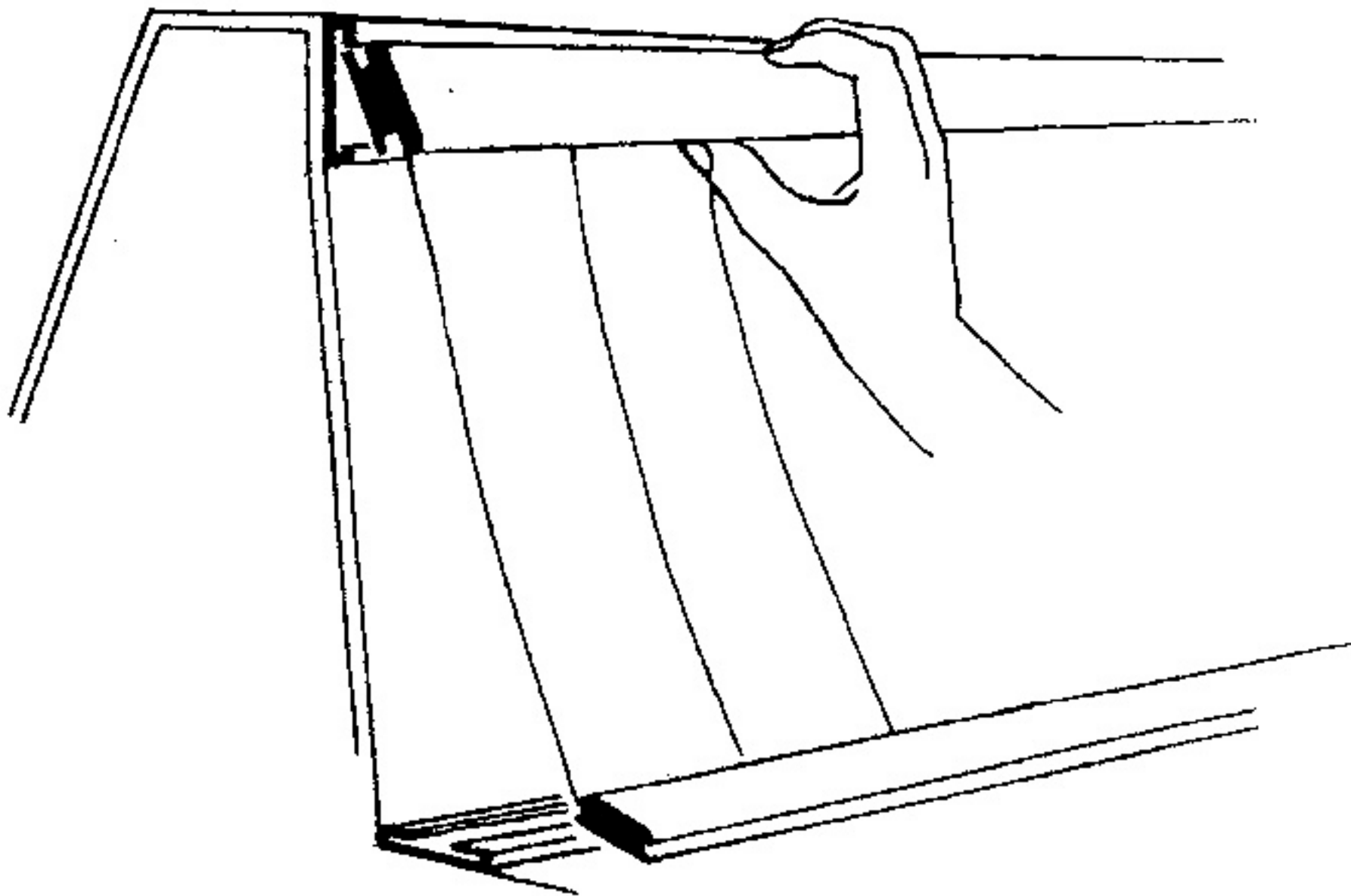
- 4** Make sure the longer lip of the C-section is uppermost and line up its top edge with the top of the glass shelf, lightly pressing down the ends to secure it. Then pull the release strip away completely and press the C-section **firmly** into place. Fit other C-sections in the same way, making sure they butt tightly. **Leave for 10 minutes to ensure strong adhesion before moving on to instruction 5.**



- 5** Repeat this procedure with the bottom C-sections, fitting them to the counter as close to the cabinet as possible and with the longer lip outermost.



- 6** Slot the curtains into the C-sections.



Your COOLSTRIP classic curtain system is now working for you.



**Redwood Strip Curtains Limited**

Unit 21, Southfield Road Trading Estate, Nailsea, Bristol BS19 1JE

Telephone (0275) 810289 Fax (0275) 810290