



Technical Data

Spider 22.10

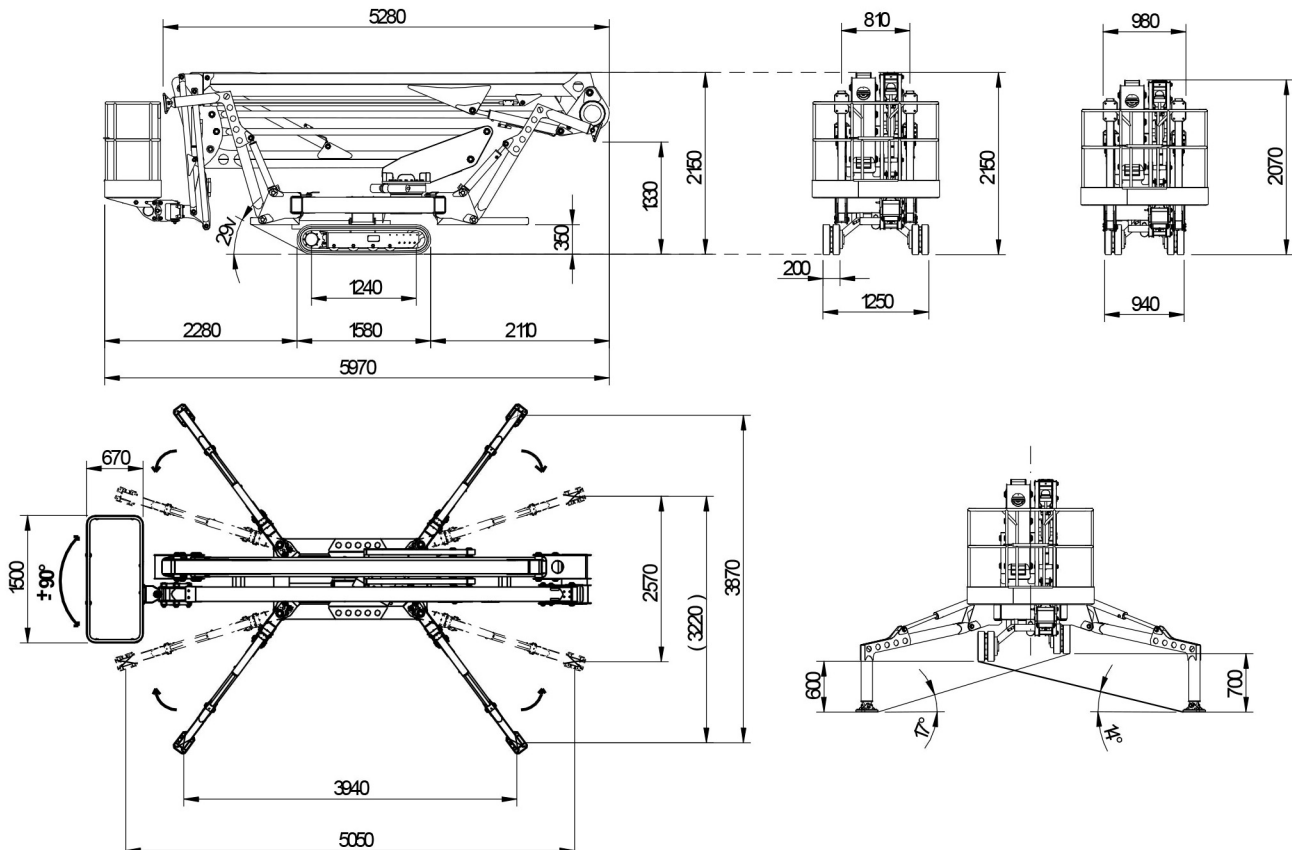
Tracked Access Platform

Tel: 01274 666 676 Fax: 01274 669 000 Email:sales@trackedaccessplatforms.com Web:www.trackedaccessplatforms.com

Working Height	21.70m
Basket floor Height	19.70m
Max outreach	10.30m
Turret Rotation	365°
Basket dimensions	1500mm x 700mm x 1100mm
Max working load	200kg
Length in stowed position	5280mm without cage, 5975mm with cage
Min. Stowed width	1000mm
Min. stowed height	2065mm
Outriggers footprint	See dimensions section
Driving speed	2,5 KMH
Petrol Engine (Honda)	13hp
Diesel Engine (Kubota)	15hp
Max gradeability	16° (29%)
Max lateral gradeability	17° (31%)
Total weight	3000kg
Ground tracks load	2.52 N/cm2
Surface load in wide stabiliser set up	1.90 KN/m2

OPTIONS

Electric power pack	240v AC, 110v AC, 415v 3phase
---------------------	-------------------------------





Spider 22.10 Working Envelope

