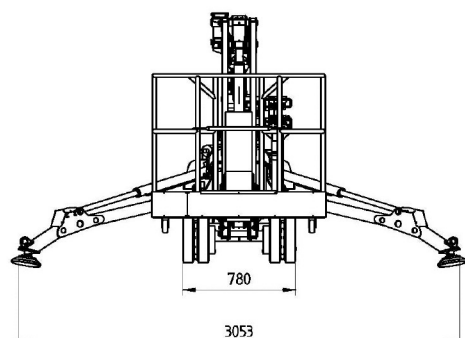
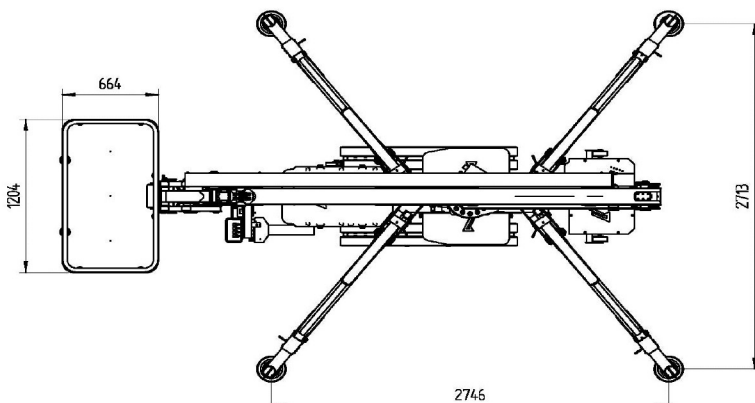
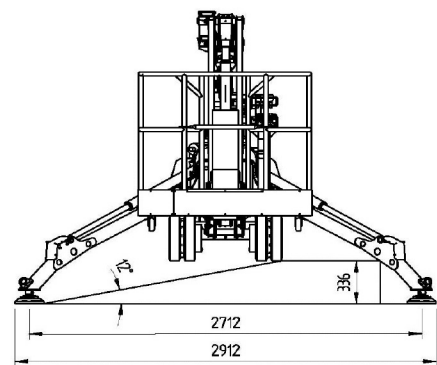
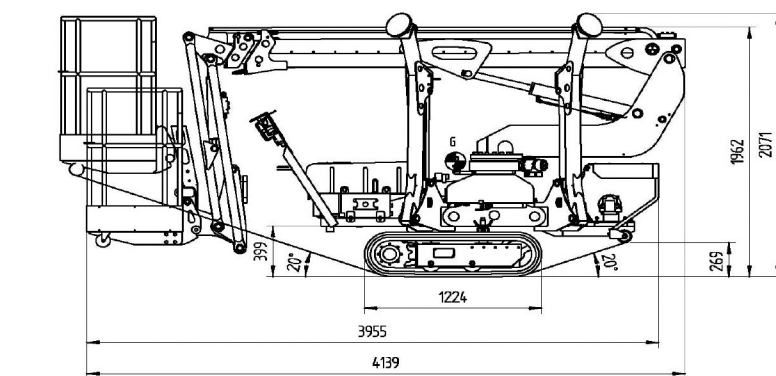




Technical Data Spider 13.80 Tracked Access Platform

Tel: 01274 666 676 Fax: 01274 669 000 Email:sales@trackedaccessplatforms.com Web:www.trackedaccessplatforms.com

Working Height	13.40m
Basket floor Height	11.40m
Outreach	8.0m
Turret Rotation	360°
Basket dimensions	1200mm x 660mm x 1100mm
Max working load	200kg
Length in stowed position	3550mm(cage removed) or 4140 mm
Min. Stowed width	780mm
Min. stowed height	1990mm
Outriggers footprint	2750mm x 2710mm
Driving speed	2,0 KMH
Petrol Engine (Honda GX270) Electric power pack	8.5hp 240v AC.
Max gradeability	20°
Max lateral gradeability	10°
Total weight	1550kg
Ground tracks load	2.3 N/cm2
Max pressure on ground (Working condition)	1250daN
OPTIONS	
Extending Tracks	780mm—980mm





Spider 13.80 Working Envelope

