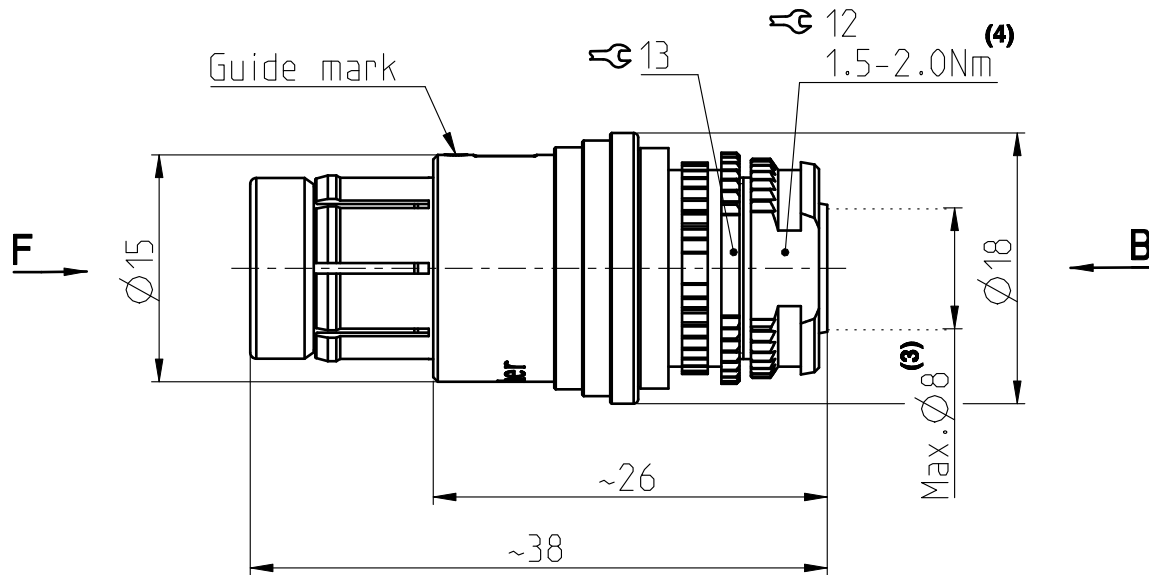
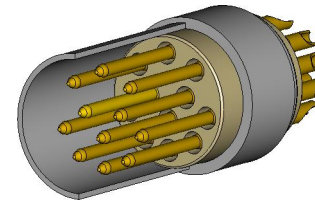


SS/SSC 104 Multipole Plugs

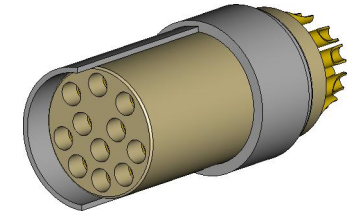
All dimensions see note 1)



Contact polarity A

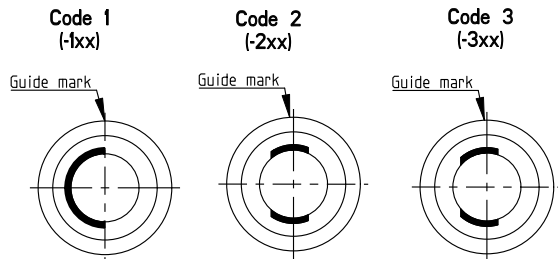


Contact polarity Z

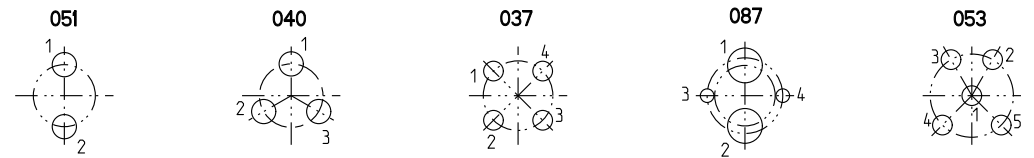


CONTACT CONFIGURATION	Contacts	Solder cup \varnothing	Crimp cup ⁽²⁾ \varnothing
104 A Z 051	2	1.86	-
104 A Z 040	3	1.86	1.78
104 A Z 037	4	1.18	1.18
104 A Z 087	4	0.79/2.48	-
104 A Z 053	5	1.18	-

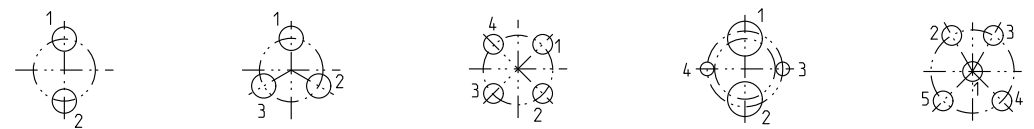
Keying codes (View from F)



Contact configuration for polarity A (View from B)



Contact configuration for polarity Z (View from B)



All dimensions in mm

600478

Rev.

2

Pages

1/3

Notes:

- 1) All tolerances resulting from connector assembly are typically $\pm 0.3\text{mm}$
 - 2) For optimum crimping refer to available crimping manual.
 - 3) Max cable diameter below shield
- Part number example : SS 104 A056-130

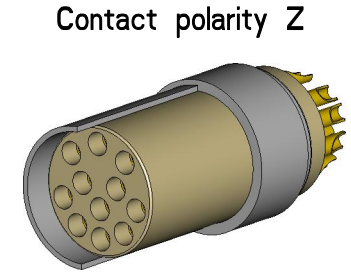
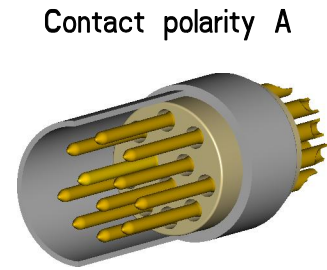
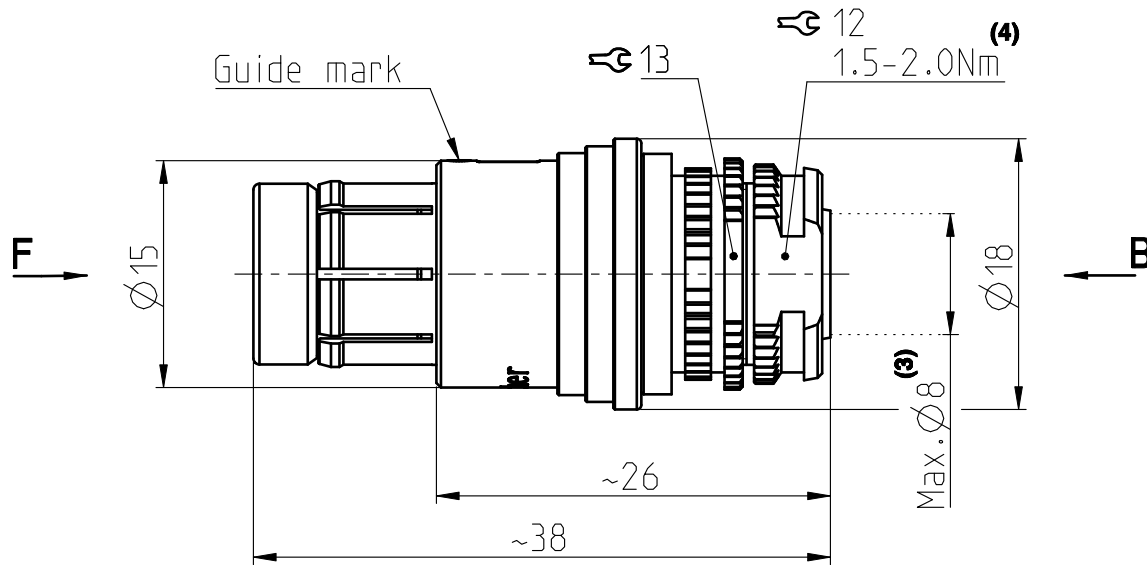
4) This torque is a recommended value that may be influenced by the characteristics of the cable. Tests have to be made to evaluate the exact value. To secure the back nut, we recommend the use of thread locking adhesive.



www.fischerconnectors.com

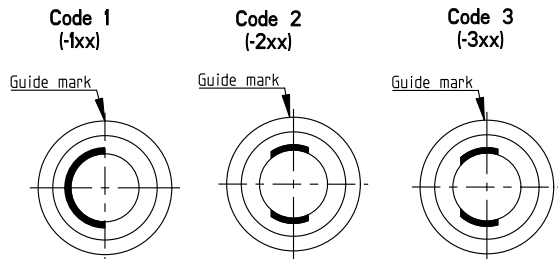
SS/SSC 104 Multipole Plugs

All dimensions see note 1)

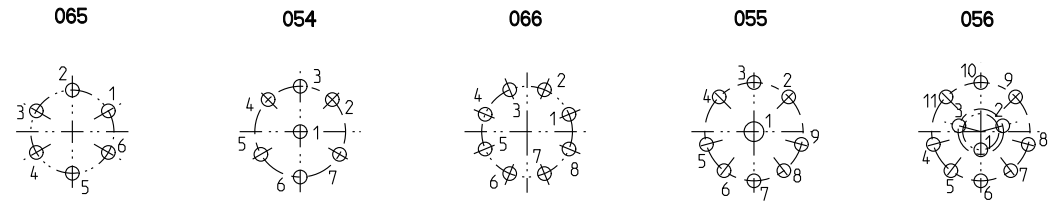


CONTACT CONFIGURATION	Contacts	Solder cup \varnothing	Crimp cup \varnothing ⁽²⁾
104 A Z 065	6	0.79	0.80
104 A Z 054	7	0.79	-
104 A Z 066	8	0.79	0.80
104 A Z 055	9	0.79/1.18	-
104 A Z 056	11	0.79	0.80

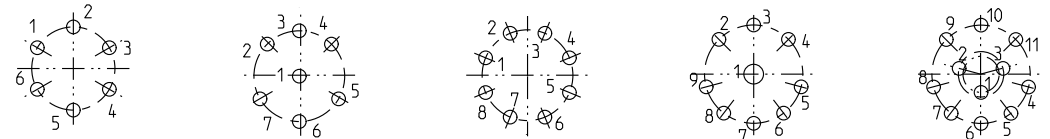
Keying codes (View from F)



Contact configuration for polarity A (View from B)



Contact configuration for polarity Z (View from B)



All dimensions in mm

600478

Rev.

2

Pages

2/3

Notes :

- 1) All tolerances resulting from connector assembly are typically $\pm 0.3\text{mm}$
 - 2) For optimum crimping refer to available crimping manual.
 - 3) Max cable diameter below shield
- Part number example : SS 104 A056-130

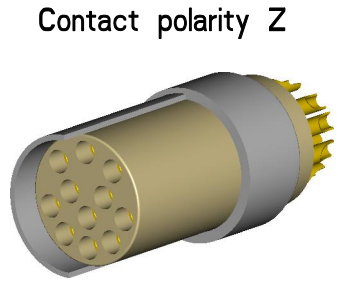
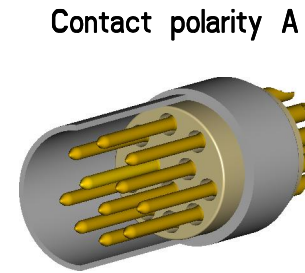
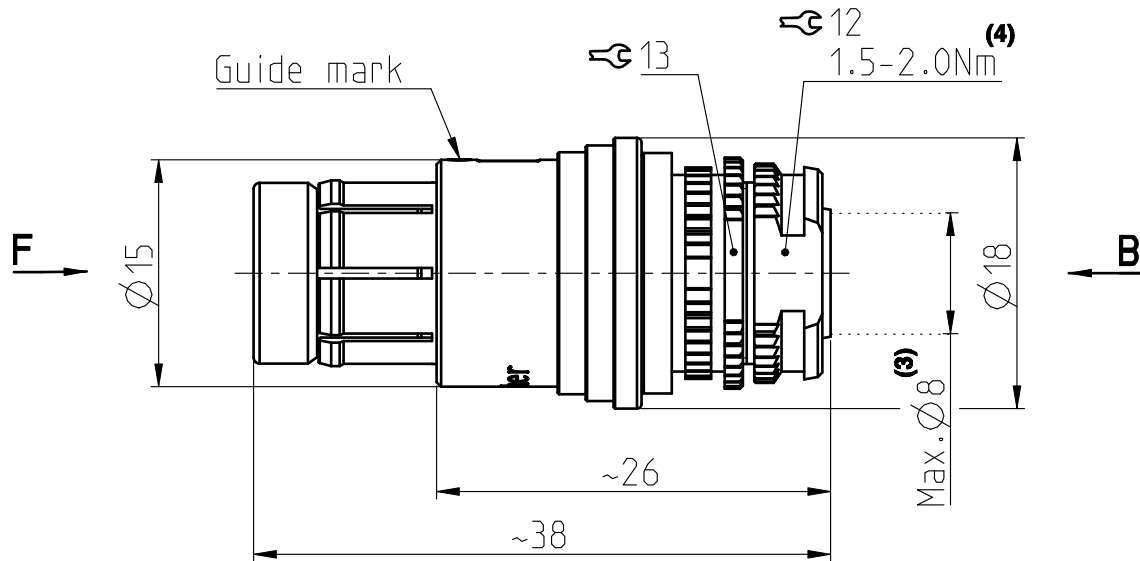
4) This torque is a recommended value that may be influenced by the characteristics of the cable. Tests have to be made to evaluate the exact value. To secure the back nut, we recommend the use of thread locking adhesive.

fischer
CONNECTORS

www.fischerconnectors.com

SS/SSC 104 Multipole Plugs

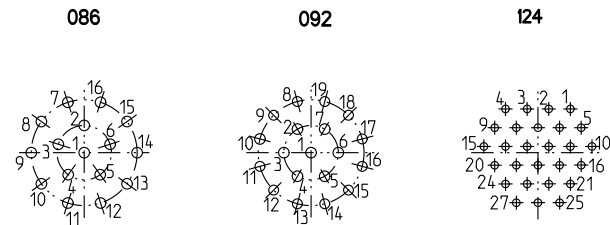
All dimensions see note 1)



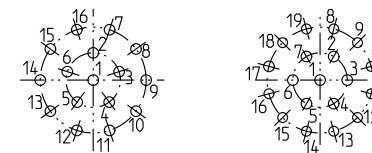
CONTACT CONFIGURATION	Contacts	Solder cup \varnothing	Crimp cup \varnothing (2)
104 A Z 086	16	0.79	0.60
104 A Z 092	19	0.79	0.60
*104 A 124	27	-	0.43

*Please contact us for additional information

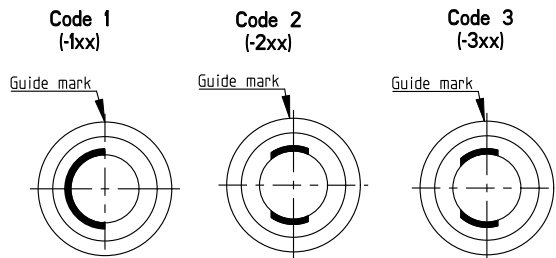
Contact configuration for polarity A (View from B)



Contact configuration for polarity Z (View from B)



Keying codes (View from F)



All dimensions in mm

600478

Rev.

2

Pages

3/3

Notes :

- 1) All tolerances resulting from connector assembly are typically $\pm 0.3\text{mm}$
 - 2) For optimum crimping refer to available crimping manual.
 - 3) Max cable diameter below shield
- Part number example : SS 104 A056-130

4) This torque is a recommended value that may be influenced by the characteristics of the cable. Tests have to be made to evaluate the exact value. To secure the back nut, we recommend the use of thread locking adhesive.

fischer
CONNECTORS

www.fischerconnectors.com