

Weber UK Hydraulic Floor Presses

EURORANGE Presses

WEBER UK LIMITED

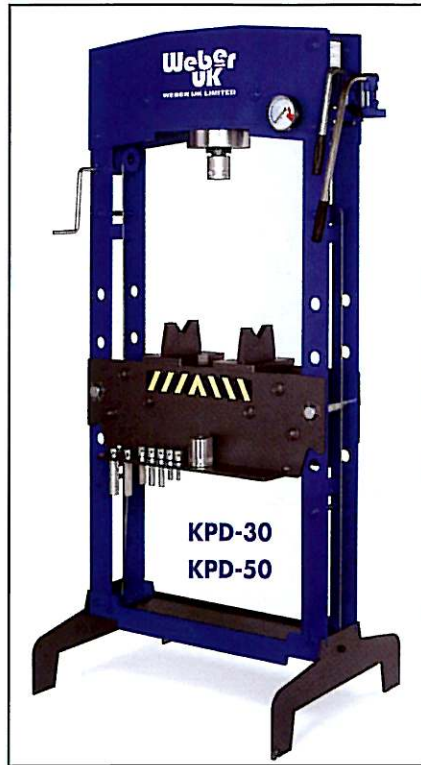
A range of general purpose Presses offering quality and reliability at competitive prices



PCP20

20 Tonne capacity

- All welded frame - robust construction
- Single speed / single acting pump unit
- Excellent daylight to accommodate larger items
- Pressure gauge / safety overload valve

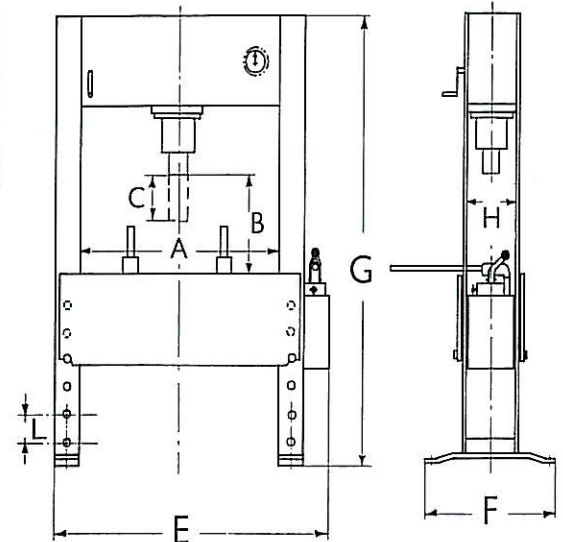


KPD-30 / KPD-50

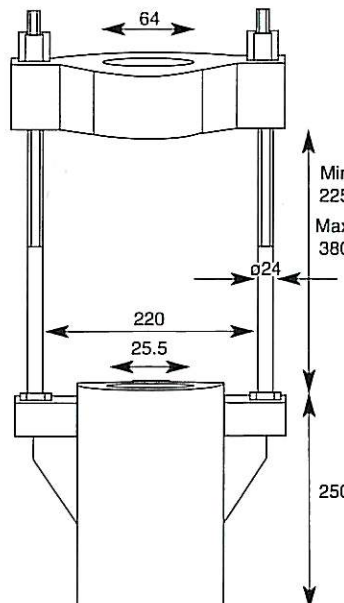
30 Tonne and 50 Tonne capacity

- Single acting - dual pump unit
- Traversing ram fitted as standard
- Table winch for easy height adjustment
- A-5552/30 pressure plate and mandrel set available as optional extras (as shown on photograph)

Model No.	PCP20	KPD-30	KPD-50
Tonnes	20	30	50
A mm	505	710	710
B mm	145 - 855	150 - 700	155 - 720
C mm	100	120	120
E mm	800	886	880
F mm	500	650	650
G mm	1725	1890	1920
H mm	155	145	145
L mm	5x195	-	-
M mm	2.3	2.0 - 6.5	0.9 - 4.6
N mm	-	250	250
Net Weight	134	195	229



King Pin Presses Versatile 40 Tonne capacity King Pin Press

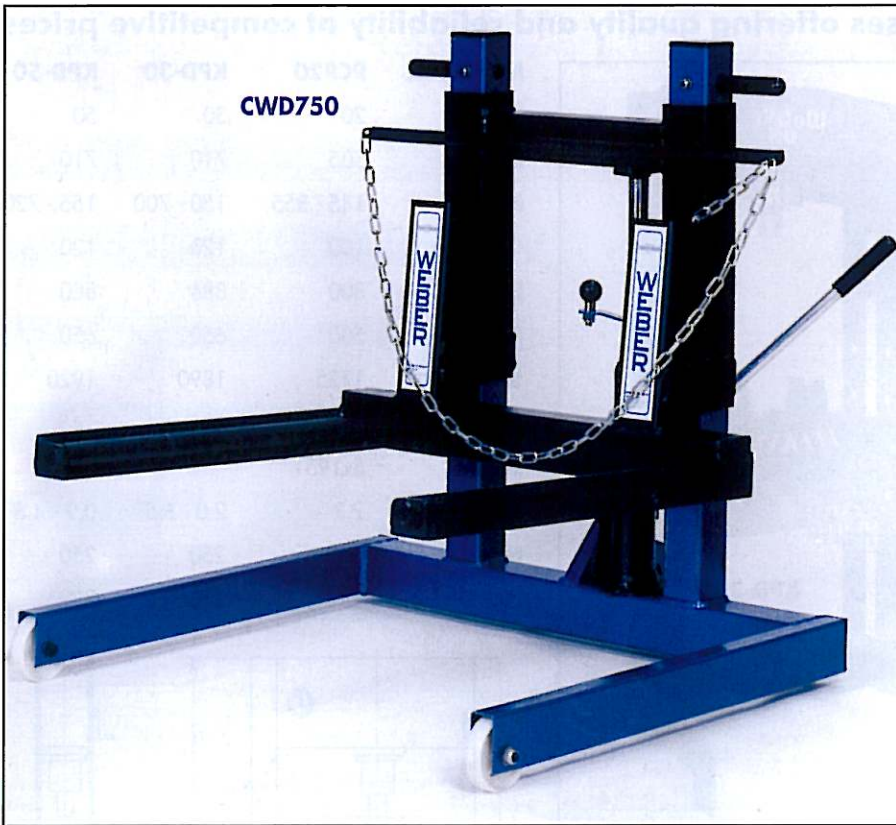


- High working pressure ensures the removal of most King Pin assemblies
- This versatile press can be adapted for alternative uses – Extension Shafts, Anvils etc.
- Mandrel set available as optional extra

Webber UK Wheel Dollies

WEBER UK LIMITED

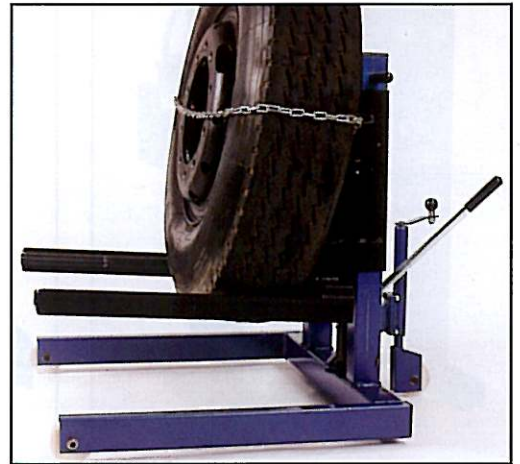
Top quality commercial Wheel Dollies designed for the efficient and safe removal of single and twin wheel assemblies



CWD750



DR750



CWD750

750kg capacity

A Wheel Dolly for general commercial vehicle use and optional brake drum removal cable.

WT500UNI

500kg capacity

An extremely versatile commercial Wheel Dolly with adjustable arms to accommodate the complete range of commercial vehicles.

- Both models feature hand-operated tilt mechanism for easy wheel alignment
- Controlled lowering via hydraulic system
- Safety overload valve fitted as standard



WT500UNI

Model No.	CWD750	WT500UNI
Lifting Capacity mm	750	500
Ground to Rollers Min' mm	100	100
Ground to Rollers Max' mm	375	550
Max' Overall Length mm	1080	1100
Max' Overall Width mm	895	1240
Max' Overall Height mm	925	1155
Between Roller Centres mm	660	360 to 900
Effective Length of Rollers mm	650	600
Net Weight kg	83	140

Webber UK

WEBER UK LIMITED

Unit 10, First Avenue, Bluebridge Ind Est, Halstead, Essex CO9 2EX

Tel: 01787 476319 Fax: 01787 274926

E-mail: sales@weberuk.com Web Site: www.weberuk.com

ALL HYDRAULIC EQUIPMENT CONFORMS TO E.C.D.
MACHINERY DIRECTIVE AND CARRIES THE CE LABEL



BS EN ISO 9001 Certificate No. 4226/1

It is our policy of continued improvement and therefore reserve the right to change design and specification without prior notice.