



HSS340 Prep

Proudly made in the UK, Precision's Space Saver Prep Counter is perfect for smaller operations or where space is at a premium. This compact all stainless steel prep counter offers high performance cold prep and storage solutions in even the smallest of kitchens.

An insulated hinged lid is supplied as standard to reduce energy consumption and maintain safe food temperatures for longer periods

**Key Features:**

Stainless Steel Interior & Exterior

Front Breathing & Venting 32°C Ambient Rated Refrigeration System

Pan Well Holds 6 X GN1/3 - 180mm Deep Pans

Insulated Lid

R134a Refrigerant

Zero ODP Injected Polyurethane Insulation - 60mm

1 / 4°C Refrigerator Temperature Range

Electronic Controller With Easy Read LCD Screen

Hot Gas Defrost

Door / Drawer Locks Fitted As Standard

Rifle Bore Coated Evaporators

Integrated Flush Door Handle

Stainless Steel Perforated Shelves - Anti Tilt Slides

Hi / Lo Audio Visual Temperature Alarms

Condensing Unit Safety System To Protect Compressor From Blocked Condensers

Self Closing Doors

Adjustable Levelling Feet At Front

Rollers At Rear For Easy Positioning

Waste Heat Recovery Condensate Vaporiser System



**Options:**

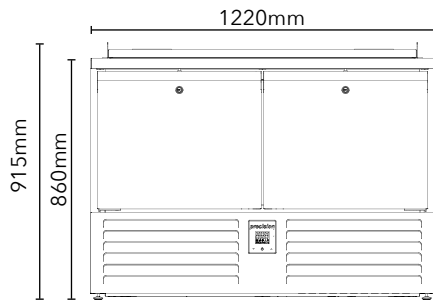
Bank of 2 Drawers (150/150mm Depth)

Castors - Increases Height by 72mm

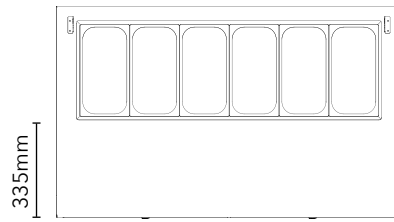
Stainless Steel Back

Extra Std Stainless Steel Perforated Shelves / Slides

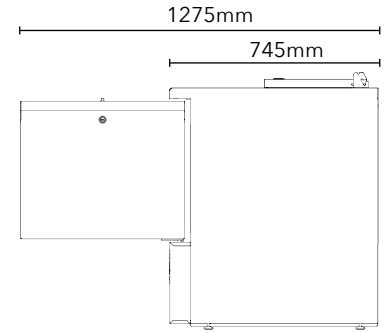
GN 1/3 Pan Set



340 PREP



GN1/3 Pan Layout



Model	HSS340 PREP
Type	Refrigerator
Material	ST/ST Int/Ext
Shelf Size	507 x 482
Number of GN1/3 Pans Accepted (150mm Deep)	6
Number of Shelves	4
Max Number of Shelves (100mm Spacing)	8
Temperature Range	1 / 4°C
Exterior WxDxH (mm)	1220x745x915
Weight (KG)	100
Refrigerant / GWP	R134a /1430
Refrigeration Watts (+45°C Condensing)	452
Evaporating Temp	-10°C
Heat Rejection Watts	678
Noise Output (dBa)	62
Power	230 / 50 / 1
Running Amps	1.9
Energy Consumption / 24hrs - kWh*	N/A
Energy Consumption / Year (AEC) - kWh*	N/A
Energy Efficiency Class*	N/A

\*Tested to EN16825 Climate Test Class 4 - M1 Classification Test for Refrigerators / L1 Classification Test for Freezers

We are constantly innovating and improving our products. Please always check our website for the most up-to-date version of this spec sheet