

# MATERIAL HANDLING

## Easy Sliders



**P/N**  
99-EASY

**DESC**  
Easy Sliders (pair) 8" x 58"

## Twisted Polypro Rope



**P/N**  
98-3729  
98-3730

**DESC**  
1/4" x 600 ft  
3/8" x 600 ft

## Forearm Forklift



**P/N**  
98-NH536-OR  
98-EXTSTRAP

**DESC**  
Lifting Straps (pair)  
Extension Straps (pair)

## Scuff Shield



**P/N**  
99-SCUFF

**DESC**  
30" x 48" Scuff Shield

## Forearm Forklift



**P/N**  
98-NH536-MH

**DESC**  
Shoulder Moving Harness  
(Includes 2 Harnesses & 2 Adjustable Center Straps)

## Pans



**P/N**  
99-70486

**DESC**  
Dishwasher Pan  
24" x 20.5"



99-52525

**DESC**  
Washing Machine Pan  
32" x 30"

## Tie Strap



**P/N**  
98-3700  
98-3710

**DESC**  
Cotton: 2" x 100 ft  
Nylon: 1" x 150 ft



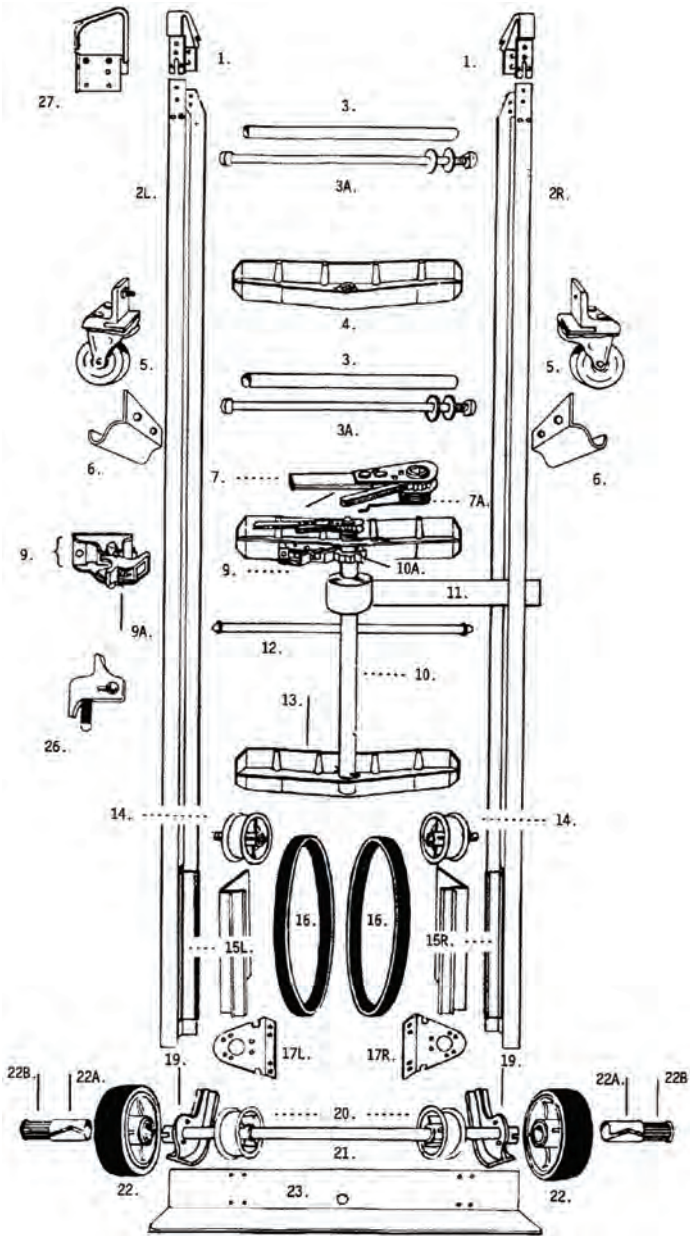
99-60080  
99-60086

**DESC**  
Water Heater Pan  
20" ID x 22" OD  
Water Heater Pan  
22" ID x 24" OD

# MATERIAL HANDLING

## YEATS Repair Parts

## YEATS Parts Specifications



P/N	DESC
98-0101	(1) TOP HANDLE
98-0131	(2L) SIDE RAIL - LEFT
98-0132	(2R) SIDE RAIL - RIGHT
98-0103	(3) SPACER
98-0103PAD	(3) SPACER WITH PADDED GRIPS
98-0135	(3A) SPACER BOLT
98-0104	(4) CROSS MEMBER w/o thumb latch
98-0106	(6) SIDE HANDLE
98-0107	(7) RATCHET HANDLE w/ spring
98-0137	(7A) RATCHET RETURN SPRING
98-0108	(8) CROSS MEMBER w/ thumb latch
98-0109	(9) THUMB LATCH w/ bracket & spring
98-0138	(9A) THUMB LATCH SPRING
98-0110	(10) VERTICAL SHAFT & HOLDING GEAR
98-0139	(10A) HOLDING GEAR w/ pin
98-0111	(11) DOLLY STRAP 15 foot
98-0111-21	(11) DOLLY STRAP 21 foot
98-0112	(12) DOLLY STRAP SUPPORT ROD
98-0114	(14) TOP PULLEY
98-0140	(15L) GLIDE SLIDE - LEFT
98-0141	(15R) GLIDE SLIDE - RIGHT
98-0116	(16) GLIDE BELT
98-0117L	(17L) AXLE BRACKET - LEFT
98-0117R	(17R) AXLE BRACKET - RIGHT
98-0145	(19L) SLIDE RAIL BASE - LEFT
98-0146	(19R) SLIDE RAIL BASE - RIGHT
98-0120	(20) LOWER PULLEY
98-0121	(21) AXLE
98-0150	(22) WHEEL w/ bearing
98-0152	(22A) WHEEL BEARING and Sleeve
98-0123	(23) RIVETLESS PLATE (specify model)
98-0160	(24A) FELT PAD SET w/ cement
98-0161	(24B) FELT PAD for Nose Plate
98-0162	(24C) FELT PAD for Side Rail
98-0163	(24D) FELT PAD for Cross Member
98-0164	(24E) RUBBER CEMENT
98-0170	(25) PLASTIC PAD SET w/ cement
98-0126	(26) THUMB LATCH w/ spring
98-0127	(27) REPLACEMENT TOP HANDLE
98-0128	HANDLE GUARD
98-0129	NOSE PLATE STUD SET
98-0130	NOSE PLATE WIDTH EXPANDER (26" W)
98-0130SET	WASHER/COTTER PIN SET
98-0000-xx	RIVET (specify by part)
98-133C	AXLE FOR BIG WHEEL ATTACHMENT

**NEED HELP WITH AN ORDER?**  
 Contact Your Salesman  
 or Call Customer Service at 1-800-242-7769

# MATERIAL HANDLING

## YEATS Dollies



98-105



98-107



98-109



98-114



98-116



98-118

P/N	DESC
98-105	"Shorty" 47" high
98-107	"Standard" 59" high
98-109	"Maxi" 71" high (2 ratchets)
98-114	"Dualie" 59" high (2 ratchets)
98-116	"Superman" 65" high (2 ratchets, 5 positions, & more)
98-118	79" high shown with Big Wheel Attachment & Two Man Handle Attachment (sold separately)

## Big Wheel Attachment



P/N	DESC
98-120	Big Wheel Attachment - 10" air tires
98-133C	Axle for Big Wheel Attachment

## Two Man Handle Attachment



P/N	DESC
98-144	Two Man Handle Attachment

## Nose Plate Width Expander (26" Wide)



P/N	DESC
98-0130	Nose Plate Width Expander

## Handle Guard



P/N	DESC
98-0128	Handle Guard (set of 2)

## Padded Spacer Grips & Rivetless Nose Plate



P/N	DESC
98-0103PAD	Spacer with Padded Grips
98-0123	Rivetless Nose Plate

# MATERIAL HANDLING

## Gloves



**P/N**  
99-GLOVE

**DESC**  
Heavy Duty Canvas

## Furniture Pads



**P/N**  
97-FP2000

**DESC**  
72" x 80", 80 lbs per dozen



**P/N**  
97-FP2001

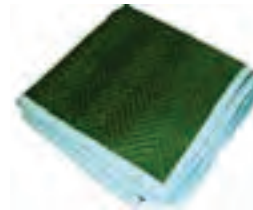
**DESC**  
72" x 80", 75 lbs per dozen

## Shoe Protectors



**P/N**  
98-SB-ASST  
98-SB-WP-B  
98-SB-WP-50  
98-SB-B  
98-SB-DB  
98-SB-B-50  
98-SB-DB-50

**DESC**  
Assorted Colors  
Waterproof - Blue, 150 Pair  
Waterproof - Blue, 40 Pair  
Blue - 150 Pair  
Dark Blue, 150 Pair  
Blue - 50 Pair  
Dark Bue, 50 Pair



**P/N**  
97-FP2021

**DESC**  
72" x 80", 64 lbs per dozen



**P/N**  
97-FP2045

**DESC**  
72" x 80", 55 lbs per dozen

# ACCESSORIES

## Tape

### Masking



P/N	DESC
92-0012	3/4" x 60 yds
92-0016	1" x 60 yds
92-0024	1 1/2" x 60 yds
92-0032	2" x 60 yds

### Clear Carton Sealing



P/N	DESC
92-0600	2" x 55 yds
92-0500	Tape Dispenser

### Filament



P/N	DESC
92-0812	3/4" x 60 yds
92-0816	1" x 60 yds
92-0832	2" x 60 yds

### Duct



P/N	DESC
92-1032	2" x 60 yds Med Grade
92-2032	2" x 60 yds Prem Grade

## Tape

### Electrical



P/N	DESC
92-3000	3/4" x 60'

### Metalized



P/N	DESC
92-AF973	2" x 50 yds - Alum. Foil
92-SF683	2" x 60 yds - Hvy Duty
92-AF100	2 1/2" x 60 yds UL181

### Pipe Wrapping



P/N	DESC
49-5252	2" x 100' x 10mil
49-5362	2" x 100' x 20mil

### Rubber Installation



P/N	DESC
92-461102	3/4" x 22'

## Bracket



P/N	DESC
99-BRACKET	Dishwasher Bracket w/ mounting screws, 26 1/2"

## Lubricant



86-1000 (4 oz)	86-2000 (4 oz)
P/N	DESC
86-1000	Zoom Spout Oiler
86-2000	Rust Buster Penetrant

### Dow Corning Silicone



P/N	DESC
86-1111	5.3 oz

## Water Gauge



P/N	DESC
80-1423	Lazy Hand 2 1/2" x 160lb.

## Earthquake Straps



P/N	DESC
99-STRAP	Earthquake Strap

# ACCESSORIES

## Plumber's Goop



**P/N**      **DESC**  
80-1711      3.7 oz Tube

## Touch-up Paints

**Bottle with Dauber**



**P/N**      **DESC**  
88-72017      White, 0.6 oz  
88-92899      Bisque, 0.6 oz  
88-72032      Black, 0.6 oz  
88-80051      Graphite, 0.6 oz  
88-72107      Almond, 0.6 oz  
88-8171652      Empire Red, 0.6 oz  
88-4396174      Pewter, 0.6 oz

**Spray Can**



**P/N**      **DESC**  
88-350930      White, 12 oz  
88-285006      Black, 12 oz  
88-350956      Almond, 12 oz

## Handy Box Cutters



**P/N**      **DESC**  
80-4327      Cutter, 12 pk  
80-4329      Cutter Blades, 5 pk  
80-4328      Cutter Blades, 100 pk



## Utility Knives



**P/N**      **DESC**  
80-4323      Knife w/ 1 blade  
80-4325C      Blades, 5 pack  
80-4326      Blades, 100 pack



## Mini Tubing Cutter



**P/N**      **DESC**  
80-4351      Cutter

## Cable Ties

**Nylon**



**P/N**      **DESC**  
65-1180      4" 100 lot  
65-1182      6" 100 lot  
65-1178      8" 100 lot  
65-1183      11" 100 lot  
65-1184      14" 100 lot

**Nylon with Screw Mount Head**



**P/N**      **DESC**  
65-1189      7" 100 lot  
65-1188      11" 100 lot

## Pallet Wrap



**P/N**      **DESC**      **GA**  
99-MA0104      12" x 1500 ft.      42  
99-MA0105      17" x 1500 ft.      80  
99-Z9999090      16" x 1500 ft.      39  
99-222      Dispensing Handle

## Appliance Cleaner Kit



**P/N**      **DESC**  
86-SSKIT      A micro-fiber cleaning cloth is included.