

BRITISH
MADE



Handmade in Britain
town & country fires

Stove Specifications

* = Suitable for a 12mm hearth

Model	Output	CO Emission (Wood)	CO Emission (Solid)	Height (mm)	Width (mm)	Depth (mm)	Flue Diam (mm)
Runswick MK 1, MK 2 & MK 3 (Inset)	4 kW	0.25%	0.13%	See Page 39	See Page 39	See Page 39	See Page 39
Rosedale (Inset)	5 kW	0.59%	0.24%	See Page 41	See Page 41	See Page 41	See Page 41
Farndale	5 kW	0.38%	0.20%	583	474	343	152
Ryedale	5 kW	0.38%	0.23%	586	400	354	125
Little Thurlow *	5 kW	0.26%	0.23%	516	472	325	152
Little Thurlow + Log Store *	5 kW	0.26%	0.23%	711	472	325	152
Whisperdale	5 kW	0.38%	0.23%	538	460	340	152
Dalby S/C *	5 kW	0.26%	0.23%	542	472	428	125
Dalby + Log Store S/C *	5 kW	0.26%	0.23%	711	472	428	125
Salburn S/C *	5 kW	0.28%	-	542	472	352	125
Salburn High S/C *	5 kW	0.28%	-	711	472	352	125
Thornton Dale	7.5 kW	0.37%	0.28%	515	540	405	152
Thornton Dale + Log Store	7.5 kW	0.37%	0.28%	768	540	405	152
Langdale S/C *	7.5 kW	0.17%	0.29%	755	512	370	152
Langdale High S/C *	7.5 kW	0.17%	0.29%	880	512	370	152
Bransdale	8 kW	0.16%	0.19%	580	557	380	152
Rosedale	7.5 kW	0.29%	0.25%	635	495	400	152
Rosedale + Log Store	7.5 kW	0.29%	0.25%	800	495	400	152
Caedmon *	7.5 kW	0.13%	0.12%	686	495	473	152
Caedmon Option *	7.5 kW	0.13%	0.12%	686	554	473	152
Welburn Low	8 - 14 kW	0.31%	0.25%	773	585	412	152
Weburn Tall	8 - 14 kW	0.31%	0.25%	975	585	412	152
Byland	8 - 14 kW	0.31%	0.25%	808	585	436	152
Glaisdale	10 kW	0.12%	0.40%	610	645	420	152
Bransdale Double Sided *	8 kW	0.23%	-	580	557	385	152
Welburn Double Sided	10 kW	0.50%	0.16%	808	585	554	177

Minimum Clearances Required from combustible material (With the heat shield fitted where applicable)

Side of Stove (mm)	Behind Stove (mm)	Above Stove (mm)
150	N/A	300
200	N/A	350
450	350	300
450	350	300
450	350	300
-	-	-
450	350	300
650	500	300
-	-	-
650	500	300
-	-	-
650	350	400
-	-	-
400	200	400
-	-	-
650	350	400
550	350	400
-	-	-
550	850	400
300	410	400
600	900	450
600	900	450
600	900	450
600	450	450
450	350 in front of both doors	400
750	900 in front of both doors	450



Contents

5kW



Whisperdale
Page 7



Dalby SC
Page 9



Ryedale
Page 11



Farndale
Page 13



Little Thurlow
Page 15



Saltburn
Page 17

7.5kW



Caedmon
Page 19



Thornton Dale
Page 21



Rosedale
Page 23



Langdale
Page 25

8kW



Bransdale
Page 27



Bransdale Double-Sided
Page 29

10-14kW



Glaisdale
Page 31



Welburn
Page 33



Welburn Double-Sided
Page 35



Byland
Page 37

Inset



Runswick
Page 39



Rosedale Inset
Page 41



Gas Stoves
See Page 44

- Whitby
- Kirkdale

Symbol Key



Smoke
Control



Outside
Air Kit



A warm family welcome...

Town and Country Fires was founded back in 1977 by Alan and Ruth Thurlow as a way to diversify from farming. The original premises was an old Cow shed on their farm in a valley called Great Fryup Dale in the heart of the beautiful North Yorkshire Moors. When the business grew they decided to relocate to Pickering so that they would be in a central location for their customers. A few years later the neighbouring villages started to get a mains gas line installed which meant the Wood Burning sales started to drop. Alan was frustrated that the Gas fires didn't look realistic enough, so a plan was hatched! Everything was very low tech back in the 1980's, with his thoughts drawn out on cornflake packets and stuck together. Once he was confident they were what he wanted, they were then made out of steel. The Gas fires and Stoves made a big impact within the industry and several of Alan's designs were sold onto other Gas fire companies.

The business has grown throughout the years and now employs over 20 local men and women. Alan and Ruth's children Nina and Philip, are heavily involved in the

business. Nina is the Quality Manager and runs the accounts. Philip has taken over from his Dad and now runs the factory and designs/develops new stoves. Town and Country Fires manufacture and develop all their stoves in their factory in Pickering. The manufacturing process has changed over the years.

The factory now boasts four robotic welders, a state of the art laser cutter, and a 85 ton precision Press brake, all of which need our highly trained members of staff. We have a computer system that can generate prototype models, control the laser and press brake with lights out capability. The process of making a stove starts with a flat piece of steel and from the moment the steel enters the factory, the journey begins. From laser cutting, to precision bending, to welding the list is endless but the stove goes through a number of stages to get it to its final destination. We take a huge amount of time, effort and pride to make, assemble and pack the stoves so they arrive in the same condition that they left us. We only use the best British steel and best quality components to create beautifully manufactured stoves. We have a highly

skilled work force, some of them have been with us for over 25 years. We are so lucky to have very dedicated members of staff both in the factory and the showroom who turn their hands to all sorts to help the business. There are some exciting times ahead with great innovative designs coming in the future. Thank you to all our past and present customers for all your continued support, we really do appreciate it x



Alan Thurlow on his 'Scrambler' in 1958

Quality products...

The full range of solid fuel and wood burning stoves all carry certified efficiency ratings and comply with BS EN 13240 : 2001+ A2 : 2004 and BS EN 13229 : 2001 + A1: 2003 + A2 : 2004. They are also Hetas approved and C.E. marked.

All our stoves have an air wash to the glass, which works extremely well. Most have tertiary air at the rear of the fire box too, which burns off gases at the back of the fire that do not normally ignite, thus giving a very clean



burn, causing less pollution in the atmosphere. Town and Country Fires are one of the very few stove people who actually make the stoves from start to finish.

We design and perfect the combustion in the stoves, so that they out-perform some of the very best stoves across the world. We buy best British steel, cut it accurately with a laser cutter, then bend it with a C.N.C. press. The metal formed shapes are then passed to our robot welder which produces high penetration and extremely accurate joints. Once the bodies have been produced in this way, they are finished by hand, which includes shot blasting to enable a good penetration of paint. Some of the stoves

are completely hand made, by staff who have worked for us for many years. The smoke control Little Thurlow for burning wood in smokeless areas, has been put through stringent testing and has been approved with slight modifications, which shows how clean burning all of the Town and Country stoves are.





Our stoves...

Cast Iron Or Steel Stoves? Steel is stronger and more durable as the seams are welded together, whereas cast iron stoves are bolted and sealed together with fire cement or rope. In time the bolts corrode and the stove is not airtight and not usable. Also cast iron is very brittle and may crack if heated up too quickly. The Town and Country stoves will expand and contract through operation and should last for 50 years or more. In the past bridges were all built of cast iron, but for the same reasons, they are not any more.

A Town and Country stove is one of the most efficient stoves on the market, up to 85% efficient as you can see by reading our brochure, so you can be assured you are buying a top quality stove at a reasonable price, which will keep your family and home warm for many years to come.

Burning Wood Wood ought not to be burnt on a stove if it is not seasoned and dry, you pollute the atmosphere, tar up your chimney, and chimney fires are caused. Wood needs to be no more than 20% moisture content,

and when buying wood straight from a local log supplier, they will not usually be dried and seasoned. Logs don't dry in a garage, they need to be out in the open, preferably with just a roof or cover over them. When seasoned wood is burnt on a very efficient stove, you can produce over 5kW of heat per hour using only 1.5kg of wood - which is the equivalent of two hard wood logs, roughly 6" long x 3" diameter.

A Carbon Neutral Fuel When trees grow they absorb carbon dioxide and generate oxygen. When wood is burnt in a stove or left to rot, it will release the same amount of carbon dioxide.

Internet Policy Town and Country Fires recommend that customers buy Town and Country Stoves only from a local, recognised stockist. If products are purchased from a non-approved source, we cannot guarantee that the product purchased is an up-to-date model with the latest features, nor can we be sure that the potential customer will have been given the best advice regarding suitability and installation. We point out that there is no contract between Town and Country Fires and the customer, their contract is

with the supplier and our contract is with the dealer only. A customer buying through the internet or out of serviceable area can have no redress via us and will be passed back through the chain if necessary.





5kW

Whisperdale

town & country fires

- 5kW output
- Multifuel
- British Made
- 78.9% Efficient on Wood
- 79.6% Efficient on Solid Fuel
- 6" Diameter Flue
- Max. Log Length 350mm
- Tertiary Air
- Riddling Grate
- Brass or St/Steel Fittings
- Weight 61kg

The Whisperdale is suitable for a small to medium room, with an attractive curved top. There is a good air wash facility and an additional turbo burner, burning off gases towards the rear of the stove which normally do not ignite. This means more efficiency, excellent combustion and a very clean burning stove.

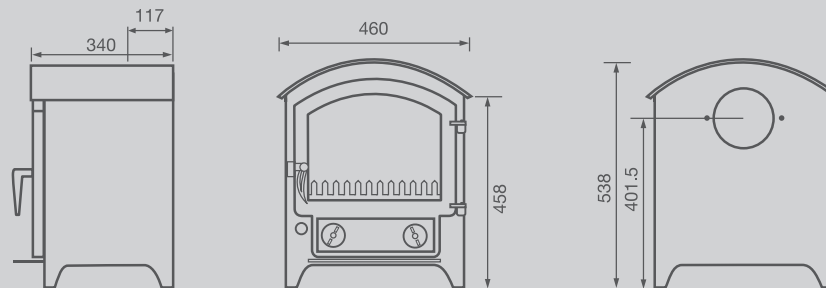
BRITISH MADE



UP TO 79.6% EFFICIENT

There is a heat shield supplied with this free standing stove, which fits on the back panel.

If this is fitted, allow an additional 30mm to the depth shown on this diagram.



Whisperdale Whisperdale is a beautiful valley near Scarborough, but a world away from the hustle and bustle of the town. A picturesque valley with wonderful views and fantastic walks.





5kW

Dalby SC With or without Log Store

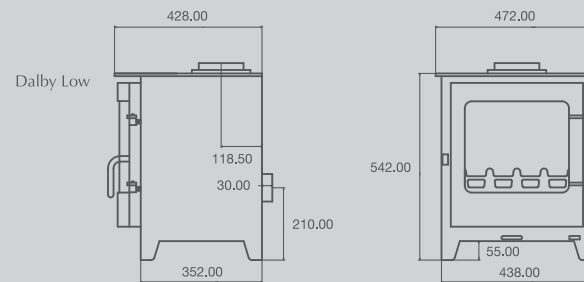
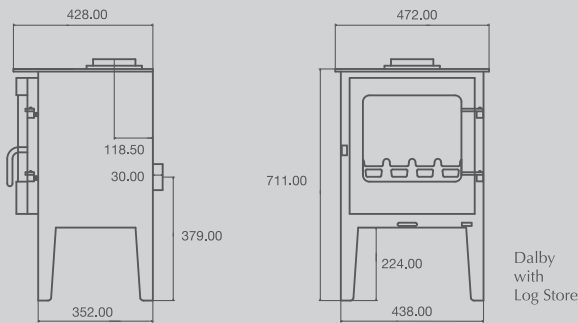
town & country fires

- 5kW output
- Multifuel
- British Made
- Optional Outside Air Kit
- Built in Tertiary Air
- Suitable for 12mm hearth
- 78.9% Efficient on Wood
- 79.6% Efficient on Solid Fuel
- Maximum log length 350mm
- 5" diameter flue (top flue only)
- Brass or St/Steel Fittings
- Weight 61 kg

The Dalby multi-fuel stove is the smallest of our new range of stoves at 5kW. The Dalby is controlled by two simple levers which are below the door, these levers take the place of the spin wheels. One lever controls the primary air and the second lever controls the secondary and tertiary air. Once the fire is established, there is no need to use the primary air lever except with smokeless fuel, even when re-fuelling.

Dalby Outside Air Kit The Dalby can be supplied with an outside air kit, which is now a requirement in a lot of new build properties.

Both versions of the Dalby are suitable for a 12mm hearth.



Dalby Forest The Dalby is named after the Great Yorkshire forest 'Dalby Forest'. The forest is situated on the edge of the North Yorkshire moors and a few miles from Pickering. The forest is full of wildlife and has a large variation of tree species. The forest is also used for leisure activities like mountain biking and walking.





5kW

Ryedale

town & country fires

- 5kW output
- Multifuel
- British Made
- 78.9% Efficient on Wood
- 79.6% Efficient on Solid Fuel
- 5" Diameter Flue
- Max. Log Length 290mm
- Riddling Grate
- Brass or St/Steel Fittings
- Weight 67kg
- Tertiary Air

The Ryedale is the smallest multi-fuel stove from Town and Country Fires, ideal for a small room. The flue outlet can be top or rear, and although the stove is compact, the output is still 5kW. The main air is controlled by two spin wheels near the bottom of the door and the two top spin wheels allow air into each side of the stove where it is warmed. Then the warm air comes out of a vent behind the glass, thus keeping the glass beautifully clean.

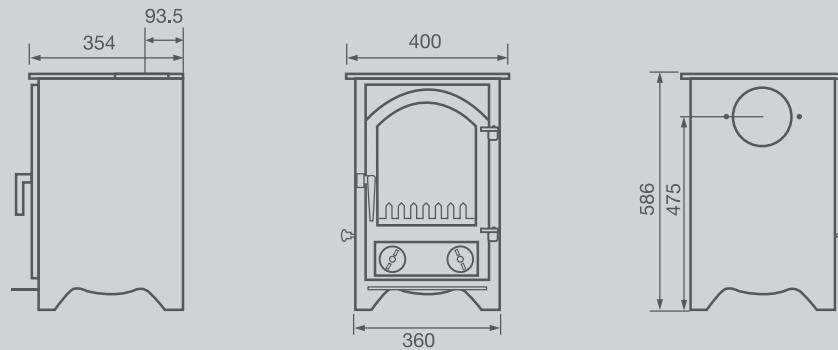
UP TO
79.6%
EFFICIENT

BRITISH
MADE



There is a heat shield supplied with this free standing stove, which fits on the back panel.

If this is fitted, allow an additional 30mm to the depth shown on this diagram.



Ryedale Ryedale is a beautiful green area in North Yorkshire. Towns within Ryedale include Helmsley, Malton, Pickering. The area is also a very popular holiday retreat for visitors far and wide.





5kW

Farndale

town & country fires

- 5kW output
- Multifuel
- British Made
- 81.1% Efficient on Wood
- 83.7% Efficient on Solid Fuel
- 6" Diameter Flue
- Max. Log Length 350mm
- Tertiary Air
- Riddling Grate
- Brass or St/Steel Fittings
- Weight 68kg

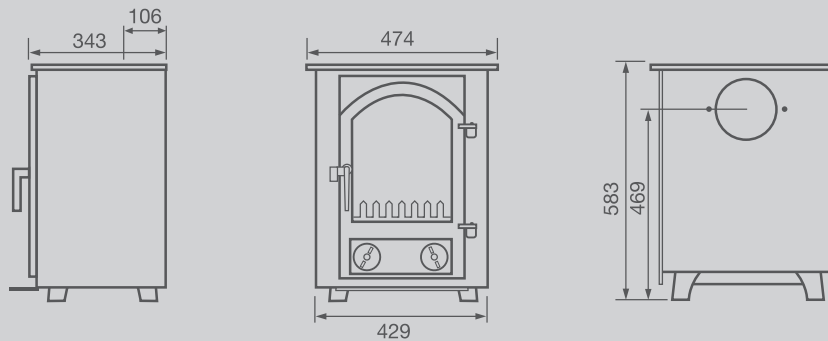
The Farndale is a robust stove, compact but with a deceptively roomy firebox, and an output of 5kW. There is a strong cast iron door, and the fire is kept safe behind a large glass area. There is a multi-fuel grate which riddles from the outside, and like all Town and Country clean burning stoves, there is a good sized ash pan to make ash removal easy.

UP TO
83.7%
EFFICIENT



There is a heat shield supplied with this free standing stove, which fits on the back panel.

If this is fitted, allow an additional 30mm to the depth shown on this diagram.



Farndale Farndale is a valley situated in the heart of the North Yorkshire Moors. Farndale is famous for their display of wild daffodils that can be seen around Easter time each year. Farndale is mainly made up of an agricultural community and miles of beautiful Yorkshire dry stone walls.





Little Thurlow Standard

Little Thurlow

- * Standard or Smoke Control
- * With or without Log Store
- * With or without Curved Door



5kW

BRITISH MADE

- 5kW output
- Multifuel
- British Made
- 78.9% Efficient on Wood
- 79.6% Efficient on Solid Fuel
- 6" Diameter Flue
- Suitable for 12mm hearth
- Max. Log Length 350mm
- Tertiary Air
- Riddling Grate
- Brass or St/Steel Fittings
- Weight 61kg

This stove is designed specially for the lower fire opening, being only 516mm high but with a good sized glass giving a wonderful view of the fire. The turbo burner (tertiary air) brings air into the stove towards the back of the fire, allowing plenty of oxygen into the rear and top of the stove, thus burning off gases which normally do not ignite. This give the Little Thurlow more efficiency, better combustion and less pollution. There is also a heat shield supplied with this free standing stove, which fits on the back panel. If this is fitted, allow an additional 30mm to the depth shown on this diagram.

Smoke Control Little Thurlow This efficient stove has been developed as an exceptionally clean burning stove so that it is approved by DEFRA to burn wood in a smoke control area.



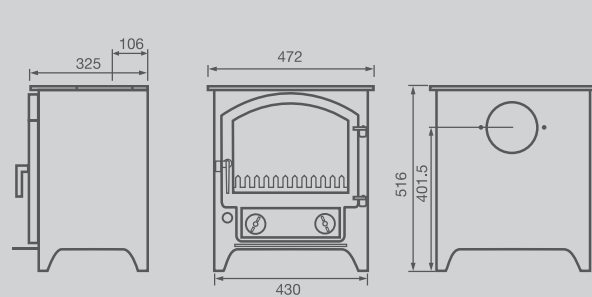
UP TO 79.6% EFFICIENT



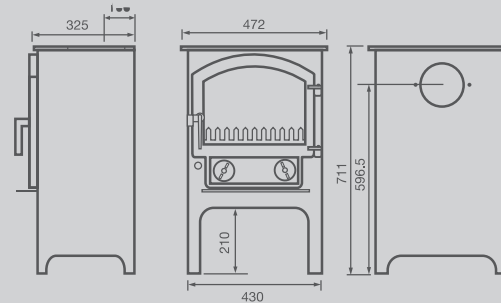
Tall Standard

Curved Door Low

Little Thurlow Low



Little Thurlow with Log Store



Please note: The extra depth with curved door is 63mm



Little Thurlow Little Thurlow is a small village located in Suffolk with a population of around 200. A prominent feature of the village is the River Stour and St Peter's 14th Century Church.





5kW

Saltburn With or without Log Store

town & country fires

- Smoke Control
- Multifuel
- 5" flue
- 5kW
- 85.6 % Efficient
- Tertiary Air
- Optional Remote Control
- Suitable for a 12mm Hearth
- Suitable for both inside and outside air
- Brass or Stainless Steel Handle
- Stainless Steel Ashpan
- Distance from combustible material:
Back 500mm // Side 650mm
- Max log length - 350mm
- Weight 70kg

The Saltburn is a great new addition to our range, it boasts modern looks and has a beautiful retro feel whilst using highly advanced technology. The stove comes with the option of using the air from within your room or you can connect to the outside of your house with the "outside air kit". The Saltburn is designed and engineered by our highly skilled work force in our factory in Pickering like the whole range from Town and Country Fires. The Saltburn has very discreet air controls located under the door which are very responsive and highly effective. We have worked long and hard to make the glass viewing area as large as possible on this stove without compromise. The low version of the stove will fit into most fireplaces, traditional or contemporary. The taller version lends itself to a more contemporary room setting. Both are available as a Defra Approved Smoke Control stove.

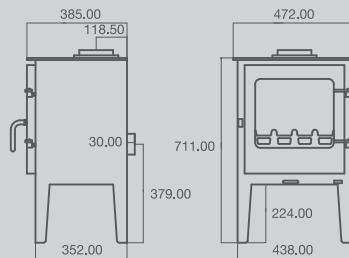
Smoke Control Saltburn This efficient stove has been developed as an exceptionally clean burning stove so that it is approved by DEFRA to burn wood in a smoke control area.

BRITISH
MADE

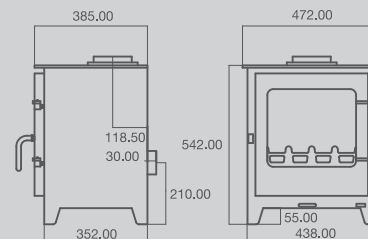
High
Efficiency
Stove
85.6%



Saltburn with Log Store



Saltburn Low



Saltburn. Saltburn is a seaside resort in the region of Redcar and Cleveland, but is still a part of North Yorkshire. Saltburn is known for having one of the world's oldest water-powered cliff lifts and of course the Saltburn pier that opened in 1869.





7.5kW

Caedmon

town & country fires

- 7.5kW output
- Multifuel
- British Made
- Optional Remote Control
- Optional Outside Air Kit
- Built in Tertiary Air
- Suitable for 12mm Hearth
- 76.2% Efficient on Wood
- 78.3% Efficient on Solid Fuel
- Maximum log length 380mm
- Riddling Grate
- 6" diameter flue (top flue only)
- Brass or St/Steel Fittings
- Weight 92 kg

The Caedmon multi-fuel stove is an award-winning design, with up to the minute technology. The controls have been simplified, there are two levers below the door, one controls the primary air and the other controls the secondary and tertiary air. These take the place of spin wheels, once the fire is established, there is no need to use the primary air except with smokeless fuel, even on re-fuelling. The **Caedmon Option** has all of the same features, it also has a wider top plate with air vents at the sides and convection panels, therefore reducing the distance to combustibles at the sides to 300mm.

Caedmon Outside Air Kit The Caedmon can be supplied with an outside air kit, which is now a requirement in a lot of new build properties and this version is also available with remote control if required. Both versions of the Caedmon are suitable for a 12mm hearth.



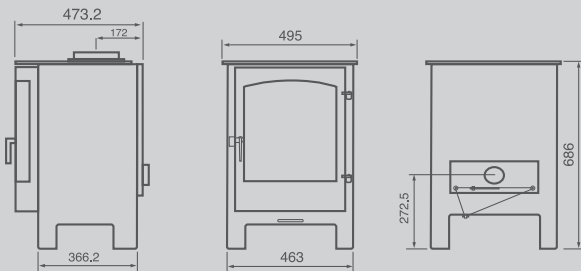
UP TO
78.3%
EFFICIENT

BRITISH
MADE

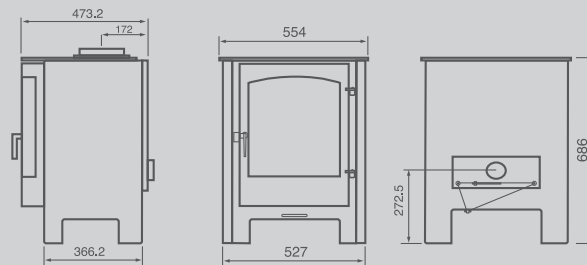


Caedmon
Option

Caedmon Standard



Caedmon Option



Caedmon Caedmon is one of the earliest English poets who resided at Whitby Abbey in the Anglo-Saxon times. His only known surviving work is Caedmon's hymn and is one of the earliest examples of the Old English Language.





7.5kW

Thornton Dale With or without Log Store

town & country fires

BRITISH
MADE



- 7.5kW output
- Multifuel
- British Made
- 74.1% Efficient on Wood
- 81.4% Efficient on Solid Fuel
- 6" Diameter Flue
- Max. Log Length 400mm
- Tertiary Air
- Brass or St/Steel Fittings
- Weight 90kg

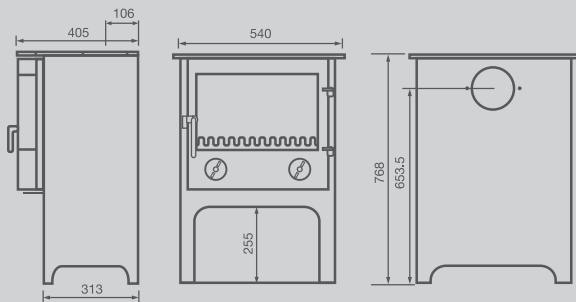
A contemporary design from Town and Country Fires, a multi-fuel stove with a good sized uncluttered curved glass door, giving an even better view of the fire. It means that you can see the fire when sitting at an angle, not just in front.

There is an excellent combustion and the stove does not require a riddling grate due to a good supply of air, burning the fuel to a fine ash. The Thornton Dale is suitable for a medium sized room, having an output of 7.5kW.

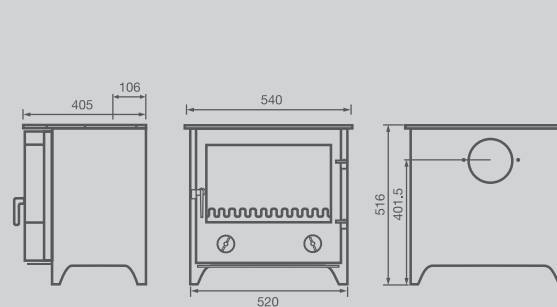
There is a heat shield supplied with this free standing stove, which fits on the back panel. If this is fitted, allow an additional 30mm to the depth shown on this diagram.

UP TO
81.4%
EFFICIENT

Thornton Dale with Log Store



Thornton Dale Low



Thornton Dale Thornton-le-Dale is a village near Pickering and within the district of Ryedale. Famous for its thatched roof cottage that appears on lots of calendars and chocolate boxes. The community also host events that attract a large crowd every year.





7.5kW

Rosedale

* Standard or Smoke Control
* With or without Log Store

town & country fires

- 7.5 kW output
- Multifuel
- British made
- 77.4 % efficient on wood
- 75.7 % efficient on solid fuel
- 6" diameter flue
- Maximum log length 380mm
- Tertiary air
- Riddling grate
- Stainless steel ashpan
- Stainless steel or brass fittings
- Weight 90 kg
- Discreet air control

The Rosedale, modelled on the Welburn but smaller proportions. The stove is manufactured in Pickering, using high quality British materials. The precision made door has a large curved glass to give an excellent view of the flames, a wonderful feature in any room. The Rosedale is multifuel, 7.5 kW output and is fitted with our air wash system which keeps the glass beautifully clean. There is also a heat shield supplied with this free standing stove, which fits on the back panel. If this is fitted, allow an additional 30mm to the depth shown on this diagram.

Smoke Control Rosedale This efficient stove has been developed as an exceptionally clean burning stove so that it is approved by DEFRA to burn wood in a smoke control area. Outer appearances are the same as the standard Rosedale.

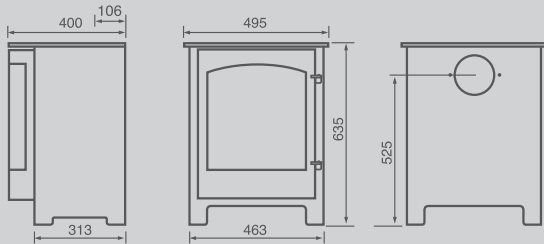


UP TO
77.4%
EFFICIENT

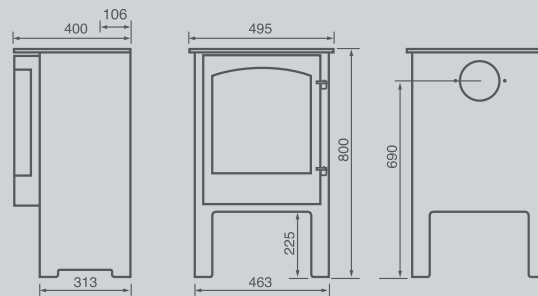
BRITISH
MADE



Rosedale
Low



Rosedale
with
Log Store



Rosedale Rosedale is a beautiful valley full of history, situated within the North York Moors. Famous for its bustling industry from 1850s to 1920 which brought 5000 miners into the valley. Nowadays the valley is farmed and is great for walking, cycling and enjoying the spectacular views of the valley.





Langdale

With or without Log Store



7.5kW

- 7.5kW output
- Multifuel
- 6" flue
- Bespoke Engineered Handle
- View from 3 sides
- Tertiary Air
- Discreet Convection Chambers
- Stainless Steel Ashpan
- Suitable for both inside and outside air
- Optional Remote Control
- Low and High model available
- Max log length - 400mm
- Weight - 100kg

The Langdale is a new innovative stove that really brings something new to the Town and Country Fires range. Designed in house by our own designer and built and engineered in our factory in Pickering. This is a fantastic quality stove and as usual up to our high standards. We have designed two different heights of the Langdale to enable the stove to fit into either an open plan room or a smaller fireplace. The overall look of the stove lends itself to either a modern contemporary room setting or a traditional Inglenook. The stove is very controllable with a great clean burn system and as an added bonus, the flames can be viewed from three sides. Unlike most stoves in this sector, Town and Country Fires have developed the Langdale to burn as a Multi fuel Stove, which offers you more flexibility if your dry log supply runs out. The stove works great as a log burner and offers you the chance to put solid fuel on to increase the burn times. The Langdale is available as a Defra Approved Smoke Control stove.

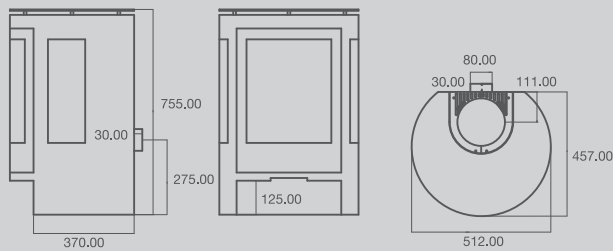
Langdale Outside Air Kit The Langdale can be supplied with an outside air kit, which is now a requirement in a lot of new build properties and this version is also available with remote control if required.

Smoke Control Langdale This efficient stove has been developed as an exceptionally clean burning stove so that it is approved by DEFRA to burn wood in a smoke control area.

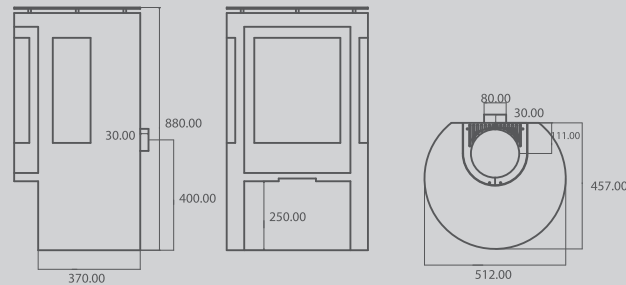
BRITISH MADE



Langdale Low



Langdale with Log Store



Langdale Langdale is named after a valley called Langdale End. It is set within the North York Moors National Park and is on the edge of Dalby Forest. Langdale End has a small cluster of buildings, one being The Moorcock Inn, which has been owned by the same family for over 100 years.





8kW

Bransdale

town & country fires

- 8kW output
- Multifuel
- British Made
- 74.4% Efficient on Wood
- 79.3% Efficient on Solid Fuel
- 6" Diameter Flue
- Max. Log Length 440mm
- Brass or St/Steel Fittings
- Weight 100kg

The Bransdale has exceptionally good combustion and is instantly controllable. Once a good fire is established, the stove can be controlled by the two air vents near the top of the stove, making it easy to operate. The Bransdale is beautifully proportioned and the only way to appreciate this remarkable stove is to see it working. The multi-fuel grate will burn wood or solid fuel without any alterations to the grate. As well as the flat top version, there are two optional slide on canopies available for the Bransdale, both available as either a top or rear flue outlet. With a high canopy on a Bransdale, the overall height including stove measures 940mm, and with a low canopy 805mm.

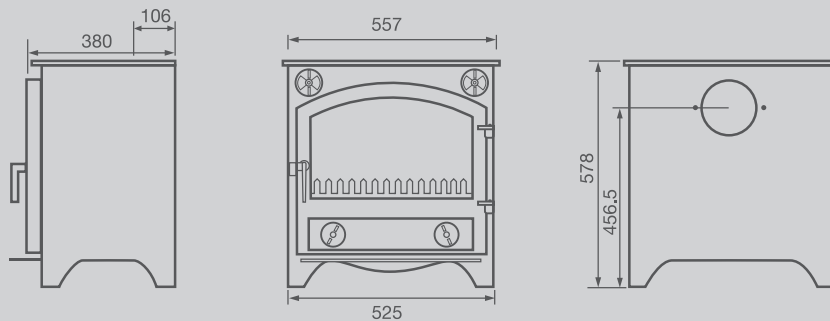
UP TO 79.3% EFFICIENT

BRITISH MADE



There is a heat shield supplied with this free standing stove, which fits on the back panel.

If this is fitted, allow an additional 30mm to the depth shown on this diagram.



Bransdale Bransdale is a beautiful valley set within the North Yorkshire Moors, North of Helmsley. Much of the dale is owned by the National Trust and is said to be one of the most isolated dales in the moors.





8kW

Bransdale Double-Sided

- 8kW output
- British Made
- View from two sides
- 75.6% Efficient on Wood
- 6" Diameter Flue
- Max. Log Length 440mm
- Brass or St/Steel Fittings
- Weight 100kg
- Suitable for a 12mm hearth

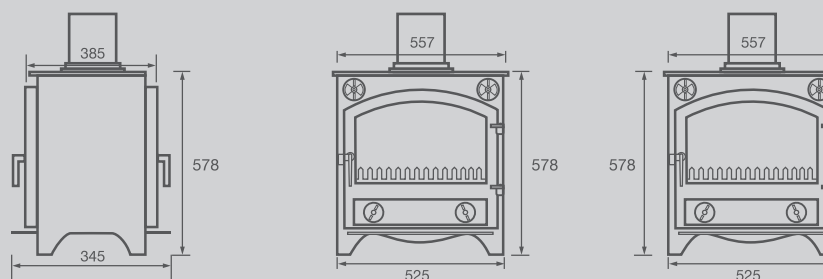
A good looking stove with great views of the fire at both sides. Can be loaded and controlled from either side. The Bransdale double-sided stove has been designed to be fitted between two rooms or in an open plan situation. The Bransdale has exceptionally good combustion and is instantly controllable. Once a good fire is established, the stove can be controlled by the two air vents near the top of the stove, making it easy to operate. The Bransdale is beautifully proportioned and the only way to appreciate this remarkable stove is to see it working.

UP TO
75.6%
EFFICIENT

BRITISH
MADE



town & country fires



Bransdale Bransdale is a beautiful valley set within the North Yorkshire Moors, North of Helmsley. Much of the dale is owned by the National Trust and is said to be one of the most isolated dales in the moors.





10-14kW

Glaisdale



- 10kW output
- Multifuel
- British Made
- 77.2% Efficient on Wood
- 78.9% Efficient on Solid Fuel
- 6" Diameter Flue
- Max. Log Length 500mm
- Brass or St/Steel Fittings
- Weight 116kg

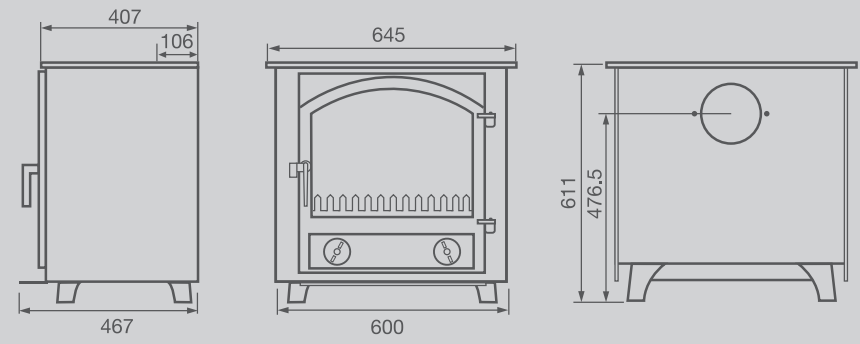
The Glaisdale is a large Town and Country multi-fuel stove, with a 10kW output. As with all the Town and Country stoves, the Glaisdale is solidly constructed, with a cast iron single door and a good sized glass area ensuring there is no interruption to the wonderful view of the fire, the flame picture is mesmerising. The design is simple, without a lot of unnecessary tubes welded into the stoves, and the combustion and fuel efficiency are excellent. The flat top makes an ideal spot for a kettle or casserole.

UP TO
79.6%
EFFICIENT



There is a heat shield supplied with this free standing stove, which fits on the back panel.

If this is fitted, allow an additional 30mm to the depth shown on this diagram.



Glaisdale Glaisdale is a vibrant village within the North York Moors, the local community help to support a school, butchers, post office and pub. At the edge of the village is a bridge named 'beggars bridge'. There are also lovely walks around the valley.





10-14kW

Welburn With or without Log Store

town & country fires

BRITISH MADE



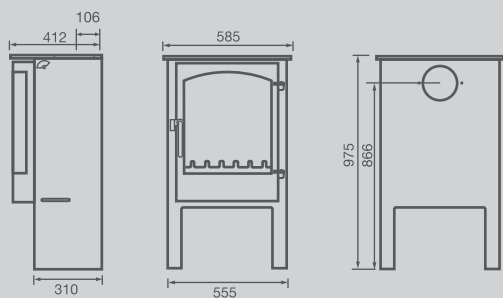
- Up to 14kW output
- Multifuel
- British Made
- 77.2% Efficient on Wood
- 70.7% Efficient on Solid Fuel
- 6" Diameter Flue
- Max. Log Length 400mm
- Tertiary Air
- Riddling Grate
- Brass or St/Steel Fittings
- Weight 116kg

The Welburn is one of the new and exciting range of contemporary wood and solid fuel burning stoves from Town and Country Fires. It is available in two styles, one low version and one higher design with a built-in log store. The door has a magnificent curved glass giving an amazing view of the fire, this is certainly a focal point for any room.

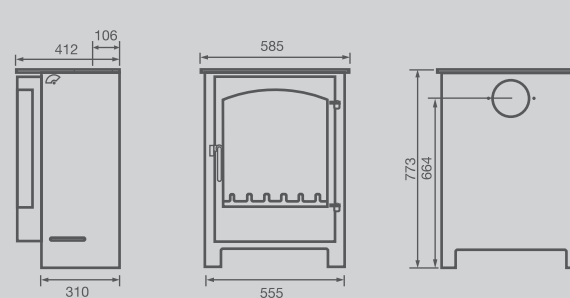
There is a heat shield supplied with this free standing stove, which fits on the back panel. If this is fitted, allow an additional 30mm to the depth shown on this diagram.

UP TO 77.2% EFFICIENT

Welburn with Log Store



Welburn Low



Welburn Welburn is a village within North Yorkshire and is close to Castle Howard. The village has a Primary School, pub, bakery and cafe, ensuring this community continues to thrive.





10-14kW

Welburn Double-Sided

town & country fires

- Up to 14kW output
- Multifuel
- View from two sides
- British Made
- 77.2% Efficient on Wood
- 70.7% Efficient on Solid Fuel
- 7" Diameter Flue
- Max. Log Length 400mm
- Tertiary Air
- Riddling Grate
- Brass or St/Steel Fittings
- Weight 116kg

The Welburn Double-Sided is one of the new and exciting range of contemporary wood and solid fuel burning stoves from Town and Country Fires. It is available in two styles, one low version and one higher design with a built-in log store. The two doors have magnificent curved glass giving an amazing view of the fire, this is certainly a focal point for any room.

BRITISH MADE



UP TO 77.2% EFFICIENT



Welburn Welburn is a village within North Yorkshire and is close to Castle Howard. The village has a Primary School, pub, bakery and cafe, ensuring this community continues to thrive.





10-14kW

Byland

town & country fires

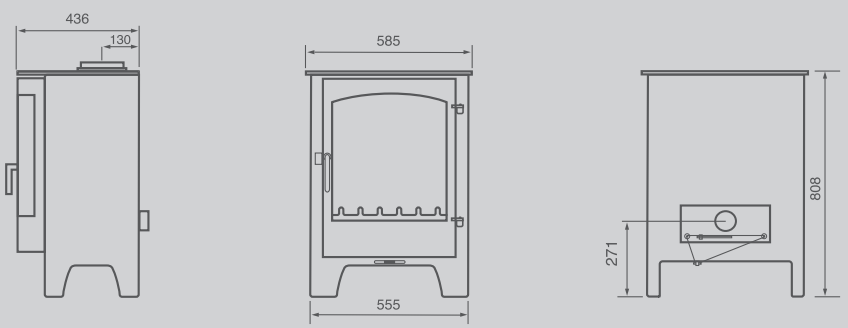
- Up to 14kW output
- Multifuel
- British Made
- Optional Remote Control
- Optional Outside Air Kit
- Built in Tertiary Air
- 77.2% Efficient on Wood
- 70.7% Efficient on Solid Fuel
- Maximum log length 400mm
- Riddling Grate
- 6" diameter flue (top flue only)
- Brass or St/Steel Fittings
- Weight 120 kg

A truly remarkable stove which will be a talking point for years to come. The large curved glass gives a wonderful view of the fire and with the air wash the glass will stay exceptionally clean. The Byland is capable of up to 14kW output, but is so controllable it will run happily at 5kW. As with all our new range of stoves, the Byland is controlled by two simple levers which are below the door, and these levers take the place of the spin wheels. One lever controls the primary air, and the second lever controls the secondary and tertiary air. Once the fire is established, there is no need to use the primary air lever except with smokeless fuel, even when re-fuelling.

Byland Outside Air Kit The Byland can be supplied with an outside air kit, which is now a requirement in a lot of new build properties and this version is also available with remote control if required.



UP TO
77.2%
EFFICIENT



Byland Byland Abbey is a small village in Ryedale. Within the village there is a ruined abbey and many of the remains of the abbey can still be seen. The abbey is now cared for by English Heritage.





Runswick Mk III

4kW Inset

Runswick Inset - Mk I, Mk II & Mk III

town & country fires

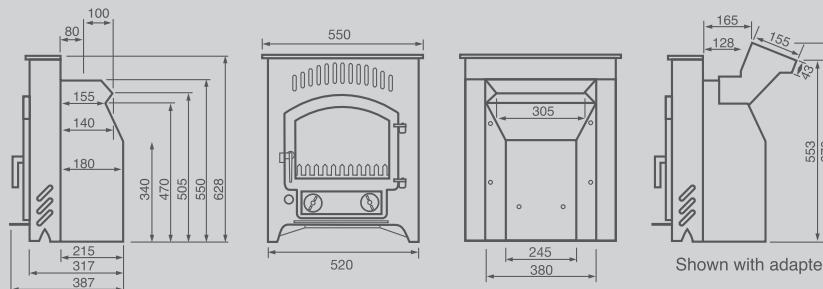
- 4kW output
- Multifuel
- British Made
- 79.9% Efficient on Wood
- 74.8% Efficient on Solid Fuel
- Suitable for a standard chimney, or with a 6" adaptor to flue liner
- Max. Log Length 300mm
- Riddling Grate
- Brass or St/Steel Fittings
- Weight 72kg

The Runswick is an inset stove, designed so that it is usually possible to install the stove without removing the existing fire back or boiler, without a lot of building work or alterations to the existing fireplace. The Runswick will transform a room by bringing the advantages of a stove, with the minimum upheaval. There will be a marked improvement in efficiency, together with the peace of mind and safety of a stove. As well as radiant heat from the front of the stove, the Runswick draws in cold air from the room at each side of the front frame, this air is then warmed and convected out through the vents above the door, total output being 4kW.

UP TO
79.9%
EFFICIENT



WILL FIT AN OPENING		
	Width	Height
Min:	390mm	x 555mm
Max:	470mm	x 600mm



Please note: The Mk III lid and door is 45mm deeper than other models (Not Shown)



Runswick Runswick Bay is a pretty coastal village sandwiched inbetween Whitby and Staithes. The picturesque village has a beautiful sweeping sandy beach and is overlooked by a mixture of cottages. The village is a haven for artists and holiday makers who spend their time fossil hunting, building sand castles and walking.





4kW Inset

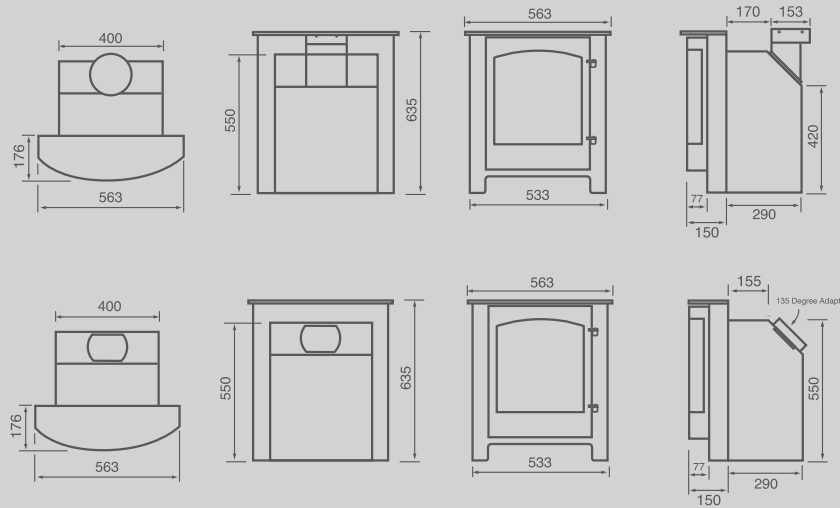
Rosedale Inset - Standard or Smoke Control

town & country fires

- 5kW output
- Multifuel
- British made
- 78.4% efficient on wood
- 77.2% efficient on solid fuel
- Suitable for a standard chimney, if a liner is necessary 150mm diameter
- Max. log length 300mm
- Brass or st./steel fittings
- Weight 80 kg

The Rosedale inset stove is a smart, contemporary inset stove with a big curved glass for a good view of the fire. It has been designed to fit into a standard fire opening with a chair brick removed. This provides a good sized firebox which is suitable for logs as well as solid fuel. In addition to the radiant heat, there is a convection system bringing warm air out through the vents above the door, giving a total heat output of 5kW.

Shown below with optional adaptor for flue liner.



WILL FIT AN OPENING	
	Height
Min:	400mm x 570mm
Max:	470mm x 600mm



BRITISH MADE

Rosedale Smoke Control Inset This efficient stove has been developed as an exceptionally clean burning stove so that it is approved by DEFRA to burn wood in a smoke control area. Outer appearances are the same as the standard Rosedale.



Rosedale Rosedale is a beautiful valley full of history situated within the North York Moors. Famous for its bustling industry from 1850s to 1920 which brought 5000 miners into the valley. Nowadays the valley is farmed and is great for walking, cycling and enjoying the spectacular views of the valley.





Stove Colour Options



Our Stoves come as standard in black but the whole range is available in the colours shown (left) at a small extra charge. The special paint we use is extremely resistant to high temperatures.

Please note that the colour chart is intended as a guide only

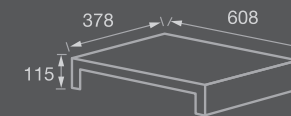


Free 10 Year Guarantee

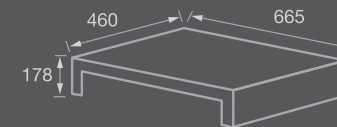
Town and Country Fires recommend that stoves are purchased only through a local, approved stockist, and installation must be undertaken by a qualified fitter. There is a Guarantee form with every stove, this covers the workmanship of the stove for 12 months, but as long as the guarantee form is completed and returned to us and the above conditions have been complied with, then the guarantee is upgraded to ten years. Your local approved stockist will be able to advise you on suitability and installation. They will also be able to supply you with any spares in the future.

Log Store Plinth

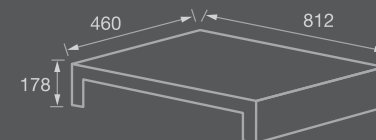
Small Plinth



Medium Plinth



Large Plinth



These log store plinths are designed for Town & Country stoves and are available in three sizes

Remote Control



Remote Control

The Remote Control is currently an option on three of our stoves and doesn't require mains power, as it is battery operated by a 9V and 4 x AA batteries (supplied).

The handset is the size of a small TV remote and controls the amount of air entering the stove, allowing you to easily adjust the flames and heat from the comfort of your sofa or favourite armchair.



Remote Control Air Intake Box

The air intake is positioned on the outside wall of your home where it is cool, away from the heat of the stove.

It is possible to adjust the air intake anywhere between closed and fully open. The remote sensor is a small, unobtrusive black box which can be positioned near the stove.

The remote control is available on the following stoves:

Caedmon Page 19

Byland Page 37

Langdale Page 25

Town and Country Fires continually strive to improve their products, and therefore reserve the right to alter any specification without prior notice. The photos in this brochure are for illustrative purposes only.

Whitby

UP TO
80%
EFFICIENT

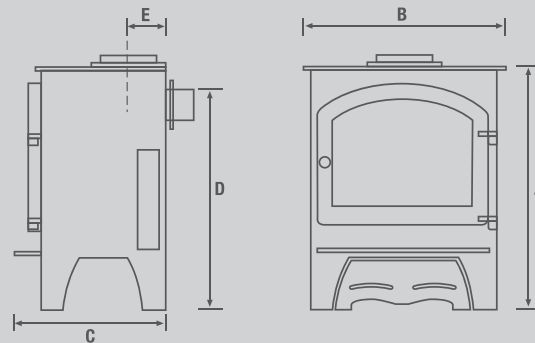
- Natural gas
- Driftwood or coal effect
- Manual or remote control option
- 80% efficiency
- British made
- Hidden front control
- Brushed steel or brass fittings
- Class1 or Class2 (5" diameter or pre-cast)
- Top flue outlet or rear closure plate version
- Variable heat output, up to 5.4kW
- Safety features fitted

The Whitby natural gas stove combines the appeal of a real fire with the control and convenience of gas, giving instant warmth from realistic coal or log effect fire. The large glass door gives a wonderful view of the new fuel beds, the coals are random, mixed coals. A very efficient stove with built in safety features, including an oxygen depletion sensor and a thermal cut-out. Although a larger stove, the input is 6.8kW, so there is normally no need for any extra air vent, but still a good output of 5.4kW, giving an amazing 80% efficiency.



45kg when packed

Flue Diameter (top only) 5"



A Height	B Width	C Total Depth	D Height to top of rear flue	E Depth to centre of top flue
558mm	560mm	353mm	520mm	95mm

Kirkdale

UP TO
80%
EFFICIENT

- Natural gas
- Driftwood or coal effect
- Manual or remote control option
- 80% efficiency
- British made
- Hidden front control
- Brushed steel or brass fittings
- Class1 or Class2 (5" diameter or pre-cast)
- Top flue outlet or rear closure plate version
- Variable heat output, up to 5.4kW
- Safety features fitted

The Kirkdale is a natural gas stove which will look at home in a traditional or contemporary room. Made to suit either Class1 or Class2 flues, the flue outlet can be from the top (5" diameter), or from the rectangular spigot from the rear, for use in pre-cast flue blocks with the closure plate supplied.

The Kirkdale is fitted with a thermal cut-out for your safety in down draft situations, along with an oxygen depletion sensor.



40kg when packed

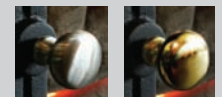
Flue Diameter (top only) 5"

Gas Stove Options



Remote Control Option - The remote control is an option on both our gas stoves. It doesn't require mains power as it is battery operated by a 9v and 4 x AA batteries (supplied).

Optional brushed steel or brass fittings on all our stoves.



A Height	B Width	C Total Depth	D Height to top of rear flue	E Depth to centre of top flue
558mm	553mm	353mm	520mm	95mm

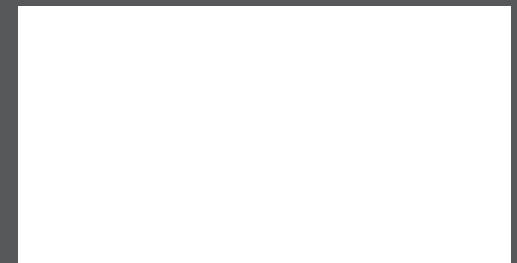
www.townandcountryfires.co.uk



town & country fires

UP TO
85.6%
EFFICIENT

Local Agent



Town and Country Fires is a Limited Company
Registered in the United Kingdom



Latest models approved by DEFRA for smoke control areas; please visit our website – www.townandcountryfires.co.uk for any additional approved models.