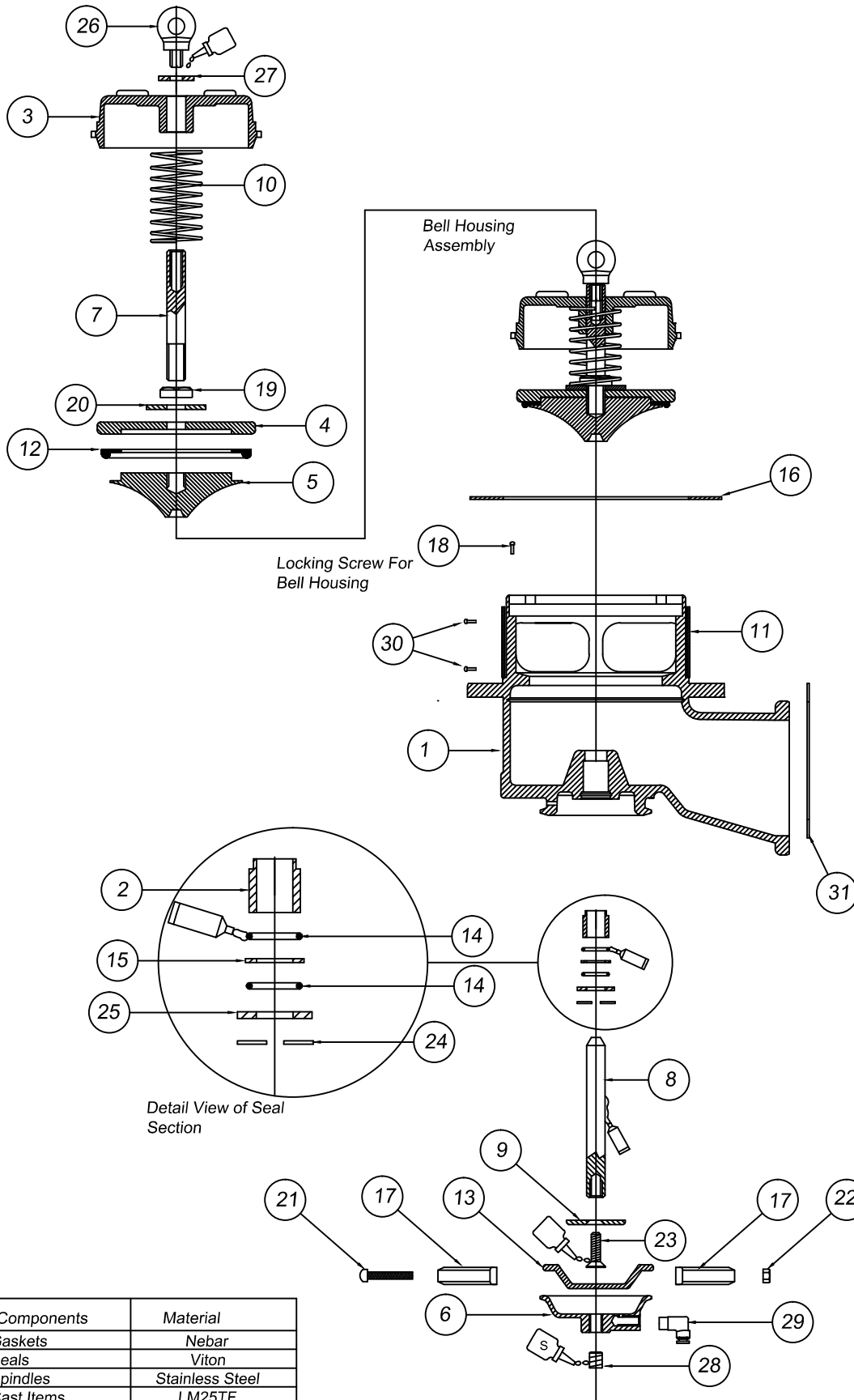


# FV400LP-1

## Assembly and Spares List

# ALPECO



N <sup>o</sup>	Part Number	Qty
1	FV400LP-1-AMC	1
2	BUS0010	1
3	FV400BHMC	1
4	FV400SHMC	1
5	FV400SRMC	1
6	DIA0005COVER	1
7	SPI0007	1
8	SPI0008	1
9	PIS0009	1
10	SPR0006	1
11	FV402GAUZE	1
12	SEA0011	1
13	DIA0012	1
14	SEA0013	2
15	WAS0014	1
16	GAS0018	1
17	VCL0016	2
18	SCR0606	1
19	NUT0021	1
20	WAS0022	1
21	SCR0026	2
22	NUT0027	2
23	SCR0023	1
24	CIR0025	1
25	WAS0024	1
26	BOL0028	1
27	WAS0030	1
28	PLU0031	1
29	AIR1783	1
30	PIN0137	2
31	GAS0019	1

### SPARES KIT FV400-SPK

N <sup>o</sup>	Part Number	Qty
12	SEA0011	1
13	DIA0012	1
14	SEA0013	2
15	WAS0014	1
24	CIR0025	1
25	WAS0024	1

Components	Material
Gaskets	Nebar
Seals	Viton
Spindles	Stainless Steel
Cast Items	LM25TF
Bushes	PTFE

KEY	
	THREAD LOCK (LOCTITE 242)
	GREASE (CENTURY LITMOL No2)
	THREAD SEALANT (LOCTITE 572)
	HAMMER

66 69 RABANS CLOSE AYLESBURY  
BUCK. HP19 8RS  
TEL: 01296 619510 FAX: 01296 619519

ISSUE	DATE		APP
C	20.08.2014	UPDATE	TOM
B	03.07.2008	NEW BODY	TOM
A	02.10.2007		