



THE FIREPLACE GALLERY



FDC

Carrying the flame

THE FIREPLACE GALLERY - CONTENTS

Aegean Limestone

ACANTHUS	Pages 2-3
ASCOT	Pages 4-5
BAVERSTOCK 54	Pages 6-7
BLENHEIM 54	Pages 8-9
BLENHEIM 60	Pages 10-11
BOLECTION	Pages 12-13
BOLECTION WITH SHELF	Pages 14-15
CHANTRY 56	Pages 16-17
CHANTRY 60	Pages 18-19
EDWARDIAN CORBEL	Pages 20-21
PEMBROKE	Pages 22-23
REGENCY	Pages 24-25
RUTLAND	Pages 26-27
SHELBY	Pages 28-29
VICTORIAN CLASSIC 54	Pages 30-31
VICTORIAN CLASSIC 56	Pages 32-33
VICTORIAN CORBEL	Pages 34-35
WILLIAM IV	Pages 36-37

Portuguese Limestone

ABINGDON	Pages 38-39
ANCONA	Pages 40-41
BALMORAL	Pages 42-43
BECKFORD	Pages 44-45
CAMBRIDGE	Pages 46-47

CHAMBERLAYNE	Pages 48-49
COMPTON	Pages 50-51
DORCHESTER	Pages 52-53
DURHAM	Pages 54-55
EXFORD	Pages 56-57
FLORENCE	Pages 58-59
LANGFORD	Pages 60-61
OXFORD	Pages 62-63
PRINCETON	Pages 64-65
PROVENCE	Pages 66-67
RIALTO	Pages 68-69
STONEHENGE	Pages 70-71
TRIPOLI	Pages 72-73
WOODFORD	Pages 74-75

Sandstone

BOSCOMBE	Pages 76-77
DERBYSHIRE	Pages 78-79
PEMBROKE	Pages 80-81
PEMBROKE WITH FRIEZE	Pages 82-83
SHELBY	Pages 84-85

Polished Carrara Marble

REGENCY	Pages 86-87
VICTORIAN CLASSIC	Pages 88-89
VICTORIAN CORBEL	Pages 90-91

Egyptian Crème Marble

BALMORAL	Pages 92-93
CAMBRIDGE	Pages 94-95
DULWICH	Pages 96-97
SINTRA	Pages 98-99

Black Granite

BOLECTION	Pages 100-101
FLAT VICTORIAN	Pages 102-103
PLAIN CORBEL	Pages 104-105

Natural Oak

BEDFORD 48	Pages 106-107
BEDFORD 54	Pages 108-109
BELFAST BROWN OAK	Pages 110-111
BELFAST NATURAL OAK	Pages 112-113
LINCOLN 48	Pages 114-115
LINCOLN 54	Pages 116-117

Technical

HOBS & FASCIAS	Pages 118-119
ARCHES & FASCIAS	Pages 120-121
GAS FIRES	Pages 122-123
FIREBASKETS	Page 124
CHAMBERS	Page 125
DIMENSIONS	Pages 126-132



MOULDINGS
& CAPITALS

Acanthus leaf
traditional modern
ancient greek
William Morris
Arts & Crafts movement

Bells Cathedral
Somerset
02-07-83

West rose &
tracery



Acanthus



ACANTHUS



Mantel:

Acanthus in Aegean Limestone.

Chamber:

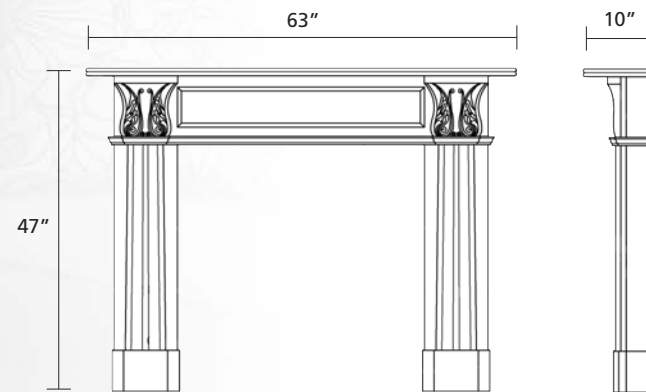
Old Red Stock brick.

Basket:

18" Swansnest with polished Regency dogs.

Hearth & Slips:

Honed & oiled Slate.



Aegean Limestone



ASCOT

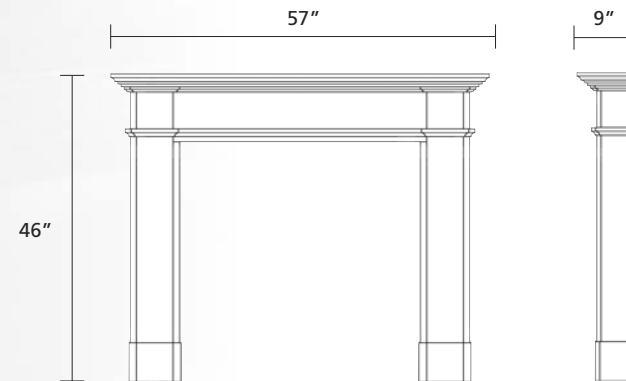


Mantel:
Ascot in Aegean Limestone.

Interior:
Milton cast iron fascia with plain canopy.

Fire:
Enigma II HE.

Hearth:
Polished Black Granite.



Aegean Limestone



BAVERSTOCK



Mantel:

54" Baverstock in Aegean Limestone.

Interior:

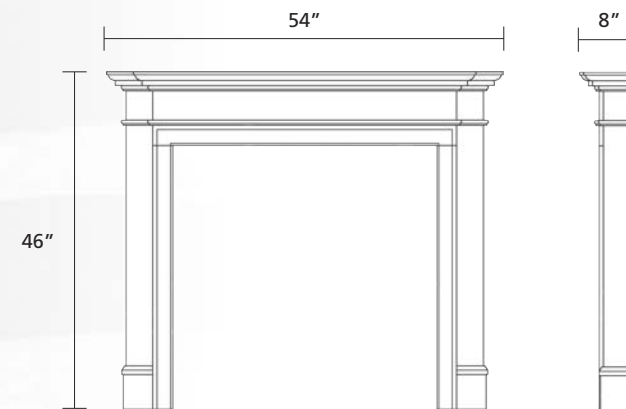
Milton cast iron fascia with plain canopy.

Fire:

Enigma II.

Hearth:

Polished Black Granite.



Aegean Limestone



54" BLENHEIM



Mantel:

54" Blenheim in Aegean Limestone.

Interior & Chamber:

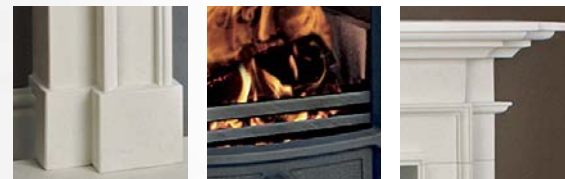
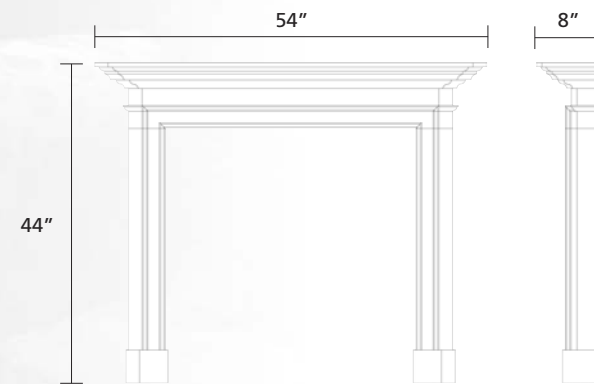
Brushed steel Amesbury fascia with Block fireboard.

Fire:

FDC 5 multifuel stove.

Hearth:

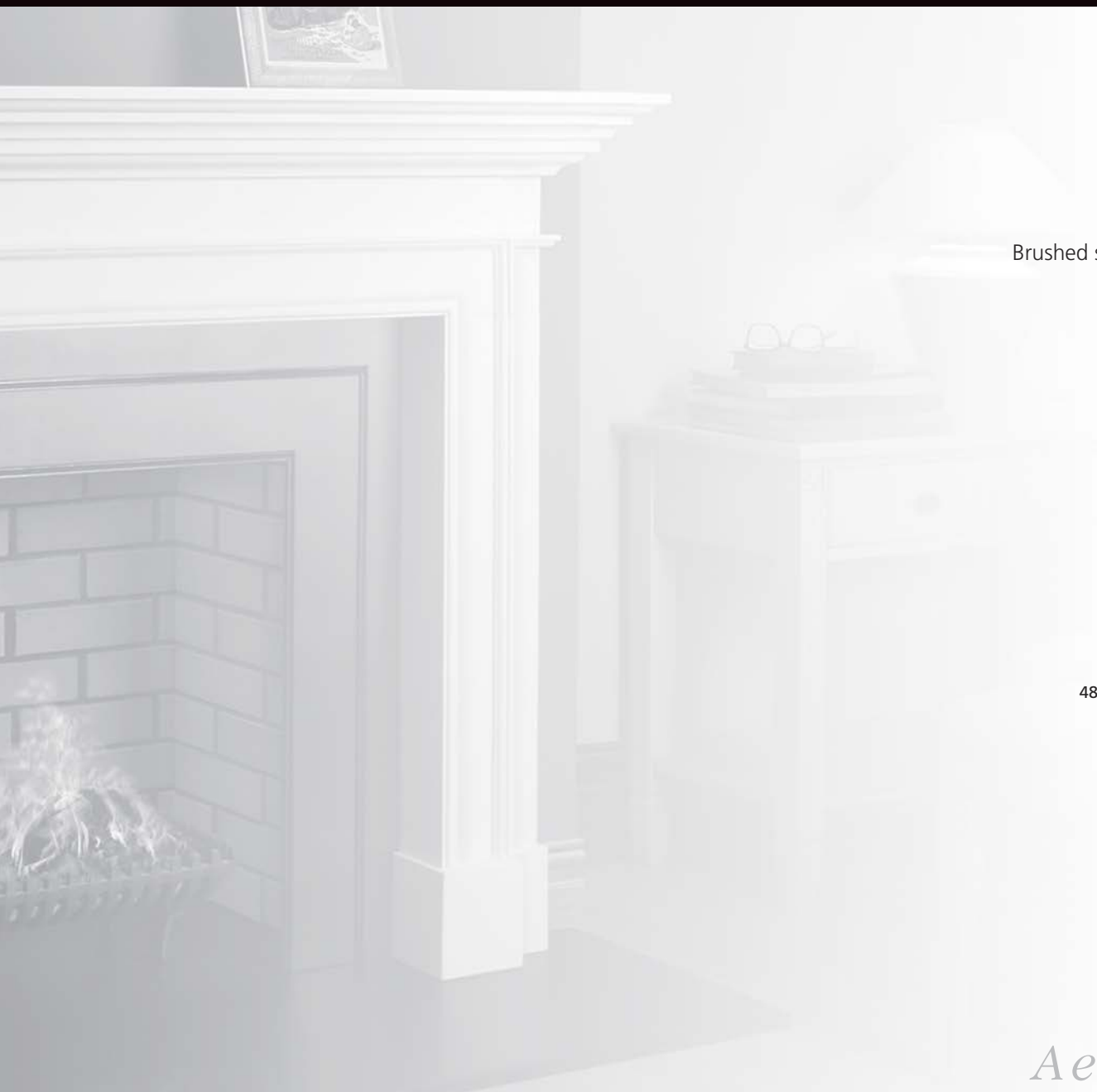
Aegean Limestone.



Aegean Limestone



60" BLENHEIM



Mantel:

60" Blenheim in Aegean Limestone.

Interior & Chamber:

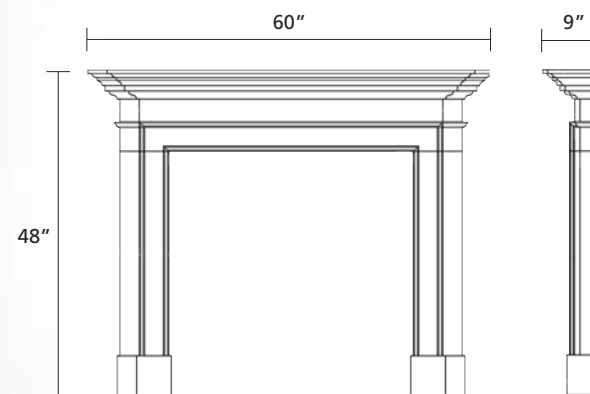
Brushed steel Shaftesbury fascia with Smooth Buff brick.

Basket:

18" Cromwell.

Hearth:

Honed & oiled Slate.



Aegean Limestone



BOLECTION

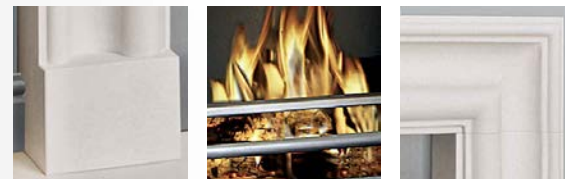
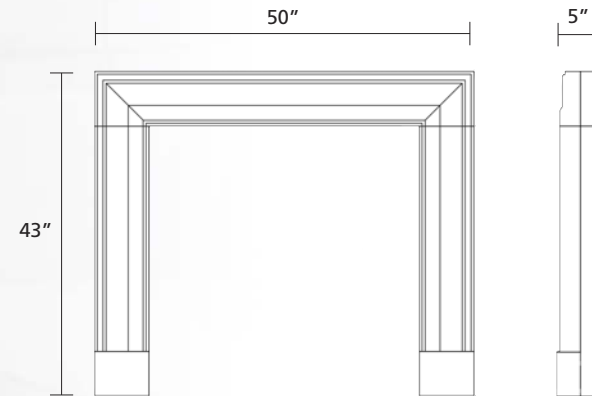


Mantel:
Bolection in Aegean Limestone.

Interior:
Salisbury hob grate.

Fire:
Open log fire.

Hearth:
Aegean Limestone.



Aegean Limestone



BOLECTION WITH SHELF



Mantel:

Bolection with shelf in Aegean Limestone.

Chamber:

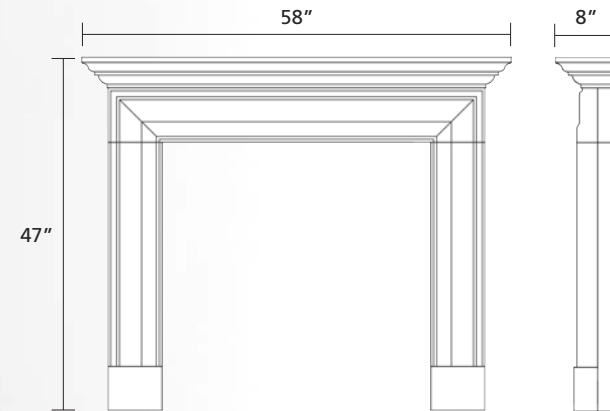
Charcoal Slate tile.

Basket:

Polished Queen Anne with brass legs.

Hearth & slips:

Aegean Limestone.



Aegean Limestone



56" CHANTRY



Mantel:

56" Chantry in Aegean Limestone.

Interior:

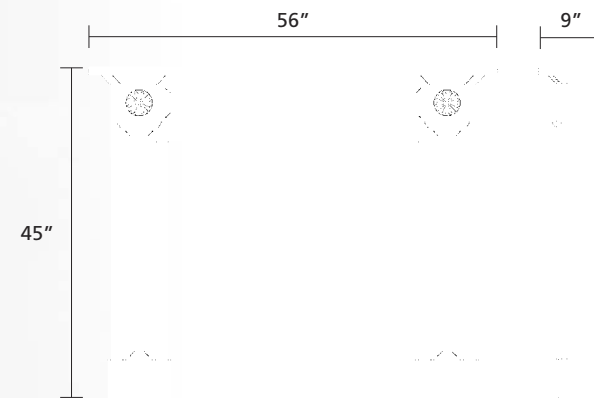
Byron cast iron plate.

Fire:

Enigma II HE with Baltimore fret.

Hearth:

Polished Black Granite.



Aegean Limestone



60" CHANTRY

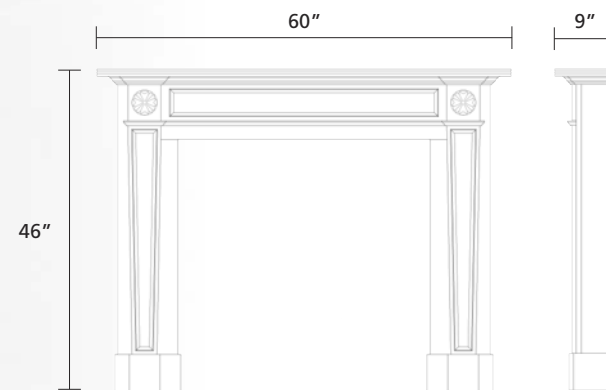


Mantel:
60" Chantry in Aegean Limestone.

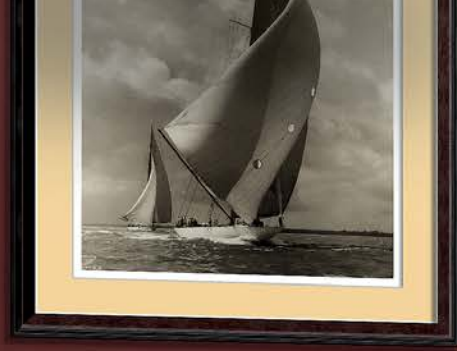
Interior:
Shaftesbury hob grate.

Fire:
Open log fire.

Hearth:
Honed & oiled Slate.



Aegean Limestone



EDWARDIAN CORBEL



Mantel:

Edwardian Corbel in Aegean Limestone.

Interior & Chamber:

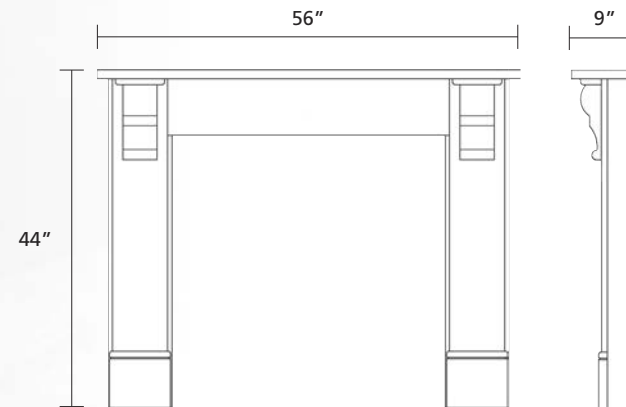
Black Granite Stove slips & Reeded fireboard.

Fire:

FDC 5 Wide multifuel stove.

Hearth:

Polished Black Granite.



Aegean Limestone



P E M B R O K E



Mantel:

Pembroke in Aegean Limestone.

Interior:

Aegean Limestone slips.

Fire:

Enigma II HE with Blenheim fret.

Hearth:

Aegean Limestone.



Aegean Limestone



REGENCY

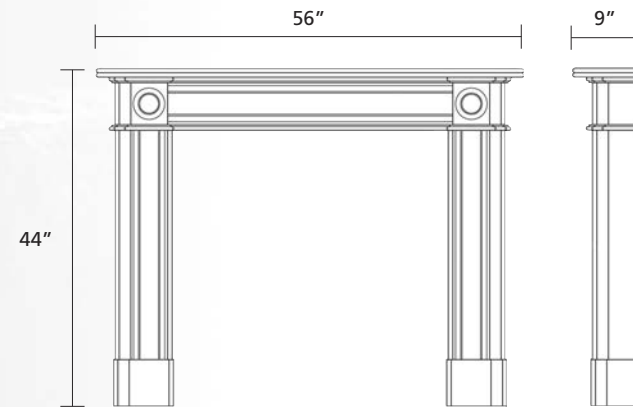


Mantel:
Regency in Aegean Limestone.

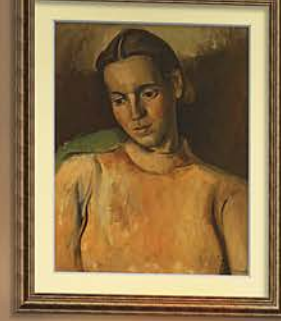
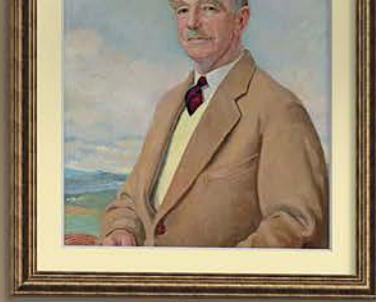
Interior:
Georgian hob grate.

Fire:
Open log fire.

Hearth:
Honed & oiled Slate.



Aegean Limestone



RUTLAND

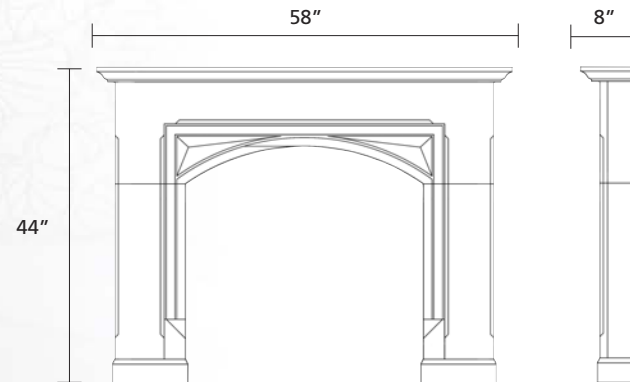


Mantel:
Rutland in Aegean Limestone.

Chamber:
Block fireboard.

Fire:
FDC 5 multifuel stove.
(Shown with optional black handle)

Hearth:
Angolan Black Granite.



Aegean Limestone



SHELBY

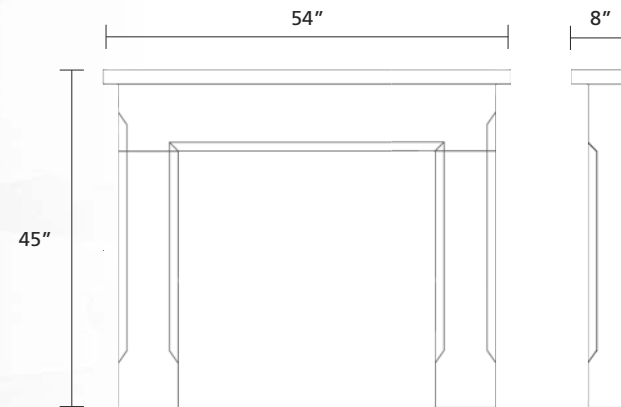


Mantel:
54" Shelby in Aegean Limestone.

Chamber:
Reeded fireboard.

Basket:
Polished Castle.

Hearth & Slips:
Honed & oiled Slate.



Aegean Limestone



54" VICTORIAN CLASSIC



Mantel:

54" Victorian Classic in Aegean Limestone.

Interior:

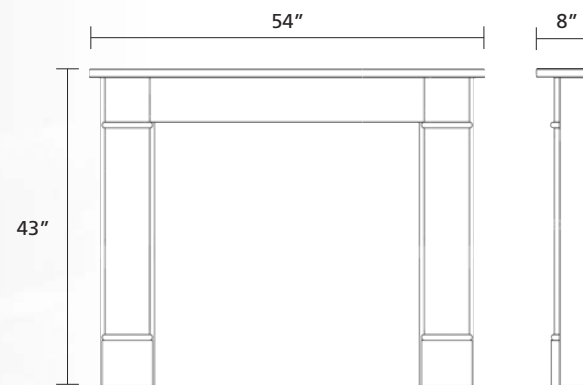
Highlight Victoria cast iron arch.

Fire:

Bespoke coal effect gas fire.

Hearth:

Polished Black Granite



Aegean Limestone



56" VICTORIAN CLASSIC



Mantel:

56" Victorian Classic in Aegean Limestone.

Interior:

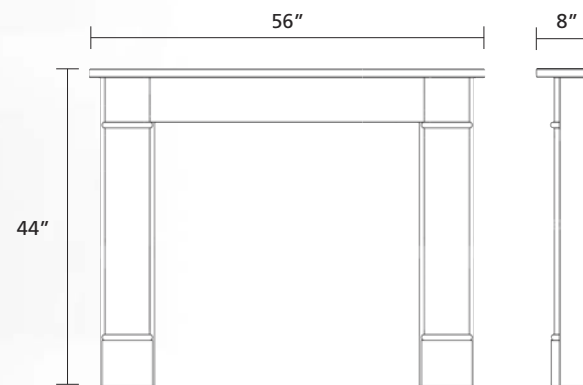
Highlight Braemar cast iron arch.

Fire:

Bespoke coal effect gas fire.

Hearth:

Honed & oiled Slate.



Aegean Limestone



VICTORIAN CORBEL



Mantel:

Victorian Corbel in Aegean Limestone.

Chamber:

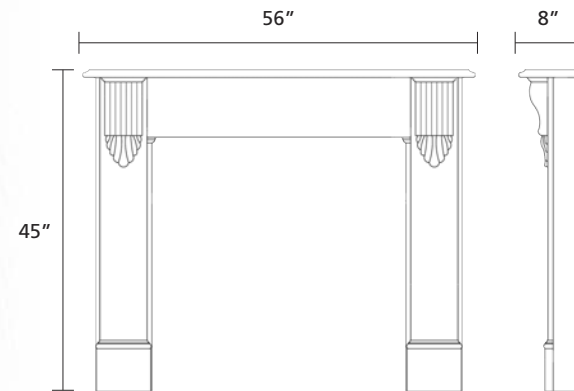
Reclaimed brick.

Basket:

18" Valencia with back & decorative gas fire.

Hearth & Slips:

Polished Black Granite.



Aegean Limestone



WILLIAM IV



Mantel:

William IV in Aegean Limestone.

Interior & Chamber:

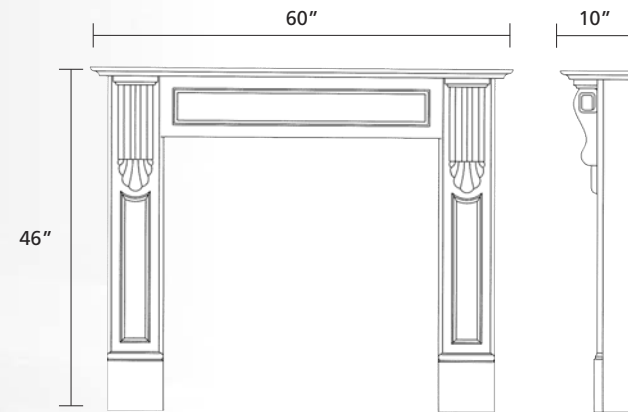
Brushed steel Amesbury fascia & Riven Limestone tile.

Basket:

18" Cromwell.

Hearth:

Aegean Limestone.



Aegean Limestone

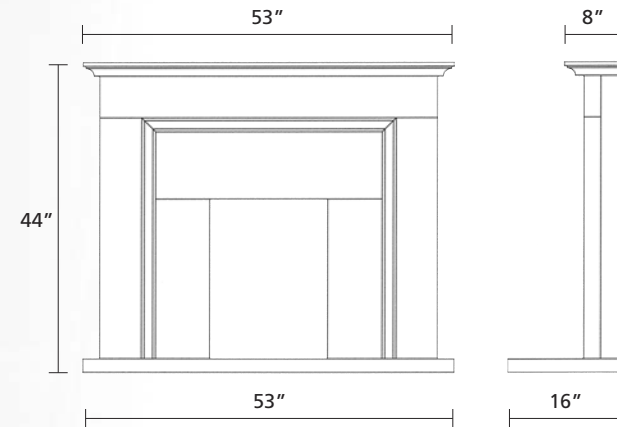


ABINGDON



Fireplace:
Abingdon in Veined Limestone.

Fire:
Enigma II HE with Baltimore fret.



Portuguese Limestone

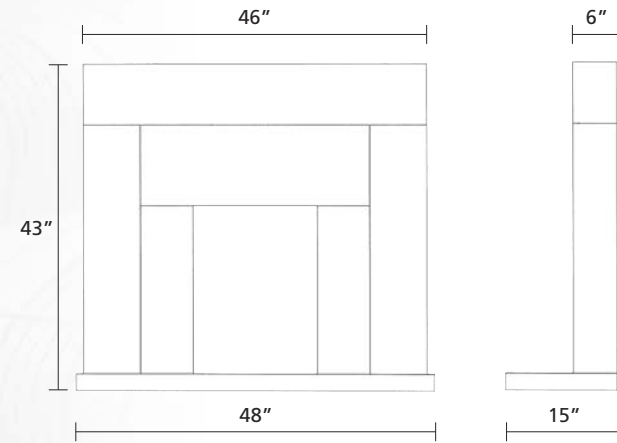


ANCONA



Fireplace:
Ancona in Veined Limestone.

Fire:
Enigma II with Baltimore fret.



Portuguese Limestone

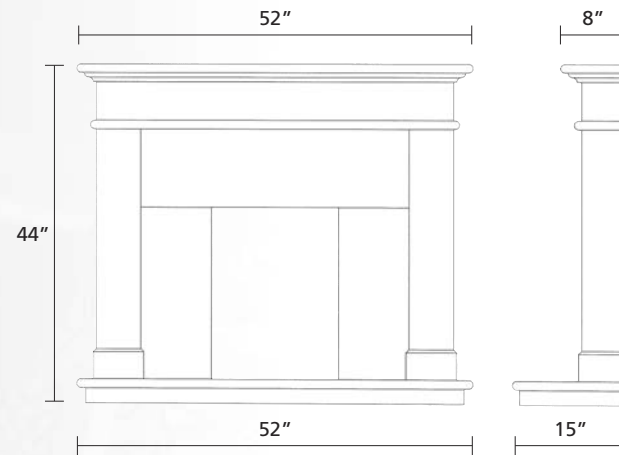


BALMORAL



Fireplace:
Balmoral in Veined Limestone.
(With optional downlights).

Fire:
Enigma II Slimline with Clevedon fret.



Portuguese Limestone



BECKFORD

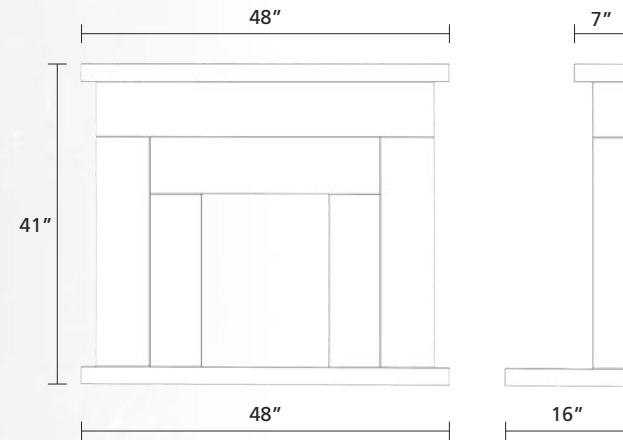


Mantel:
Beckford in Veined Limestone.

Chamber:
Lavender cobble brick.

Basket:
18" Valencia with decorative gas fire.

Hearth & Slips:
Veined Limestone.



Portuguese Limestone

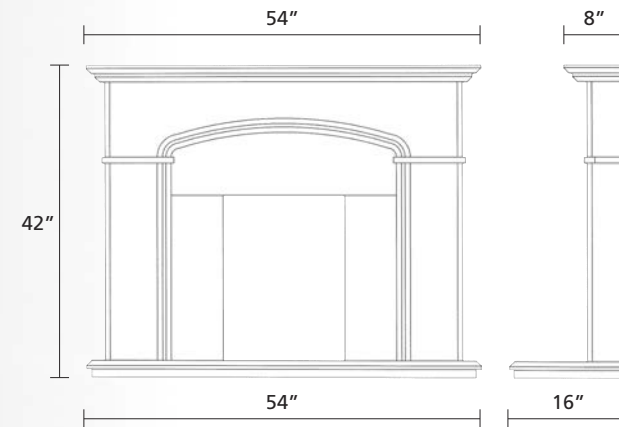


C A M B R I D G E



Fireplace:
54" Cambridge in Veined Limestone.

Fire:
Enigma II with Clevedon fret.



Portuguese Limestone

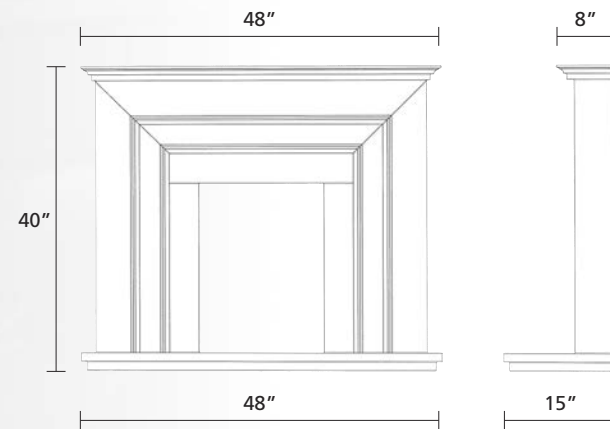


CHAMBERLAYNE



Fireplace:
Chamberlayne in Veined Limestone.

Fire:
Enigma II with Bauhaus fret.



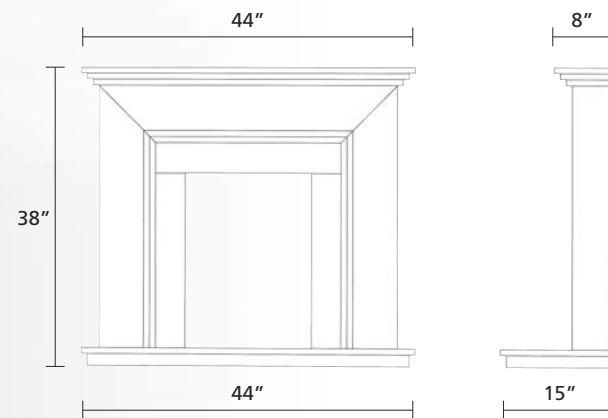
Portuguese Limestone



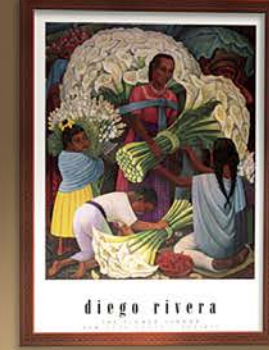
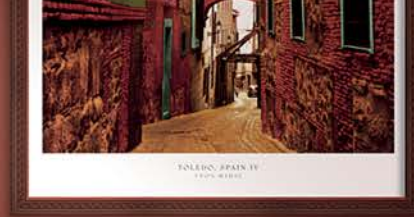


Fireplace:
Compton in Veined Limestone.

Fire:
Enigma II HE with Bauhaus fret.



Portuguese Limestone



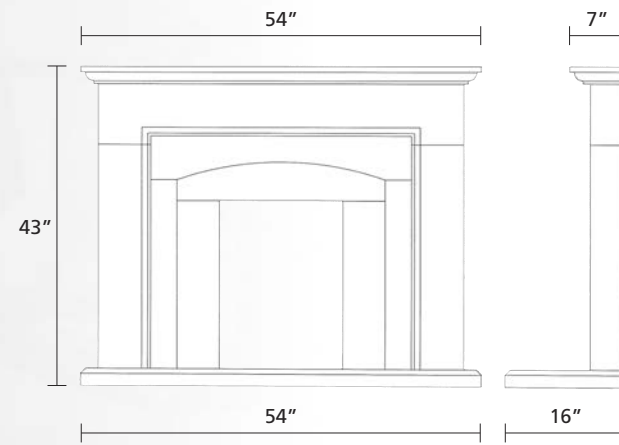
DORCHESTER



Fireplace:
Dorchester in Veined Limestone.

Chamber:
Reeded fireboard.

Fire:
FDC 5 multifuel stove.



Portuguese Limestone

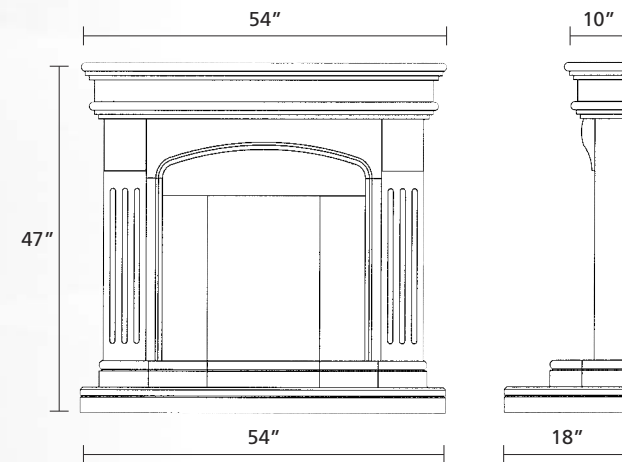


DURHAM



Fireplace:
Durham in Veined Limestone.

Fire:
Enigma II HE with Bauhaus fret.



Portuguese Limestone

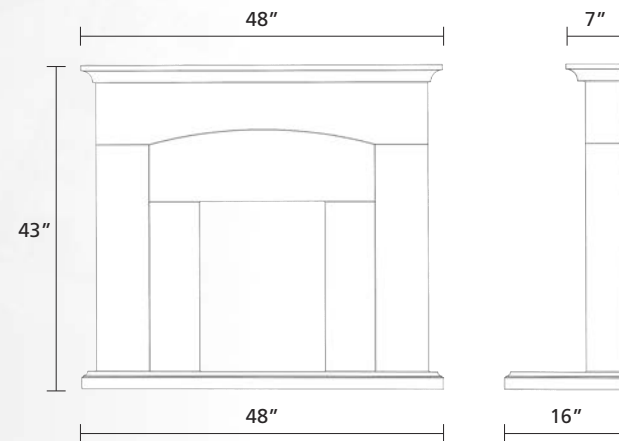


EXFORD



Fireplace:
Exford in Veined Limestone.

Fire:
Enigma II HE with Baltimore fret.



Portuguese Limestone

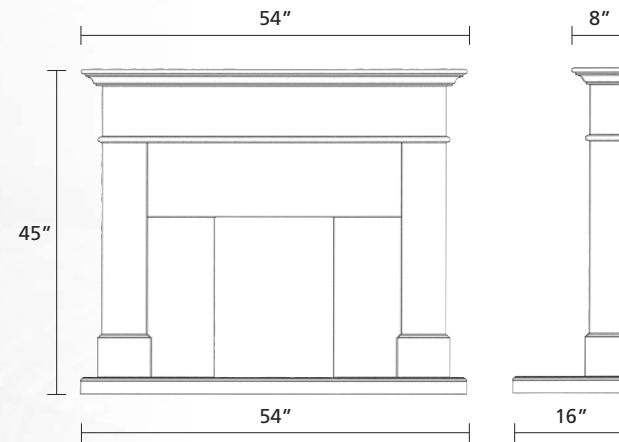


FLORENCE



Fireplace:
Florence in Textured Limestone.
(With optional split hearth).

Fire:
FDC 5 Wide inset stove.



Portuguese Limestone



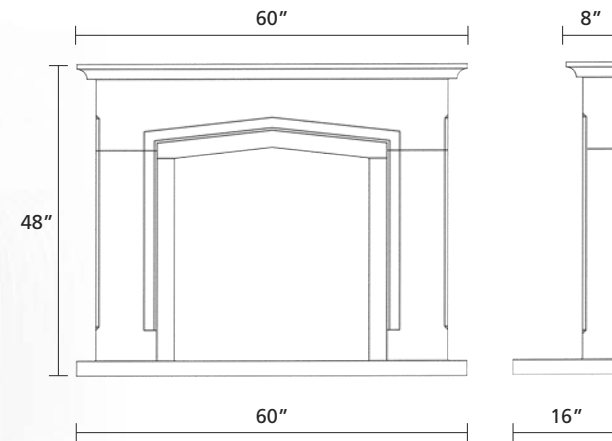
LANGFORD



Fireplace:
60" Langford in Veined Limestone.

Chamber:
Reeded fireboard.

Fire:
FDC 5 Wide multifuel stove.



Portuguese Limestone

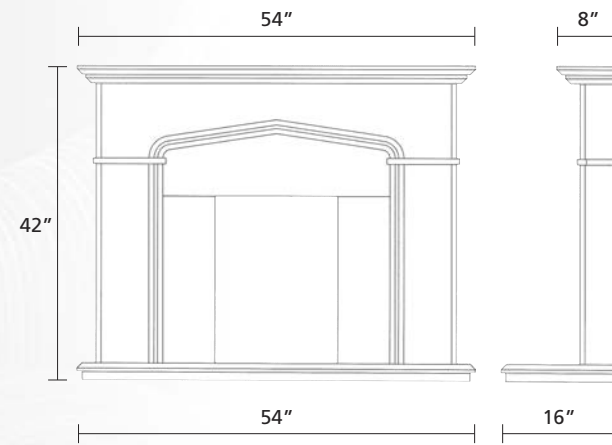


OXFORD



Fireplace:
54" Oxford in Veined Limestone.

Fire:
Enigma II with Bauhaus fret.



Portuguese Limestone

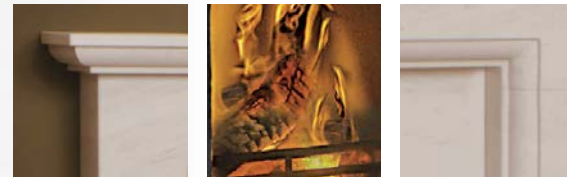
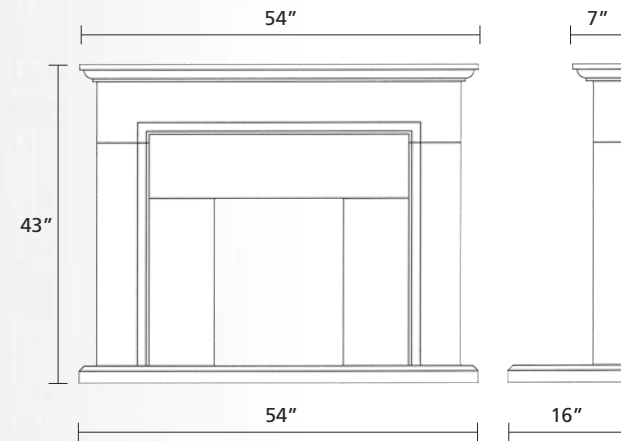


PRINCETON



Fireplace:
Princeton in Veined Limestone.
(With optional split hearth).

Fire:
FDC 5 inset stove.



Portuguese Limestone

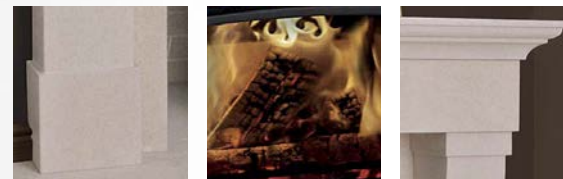
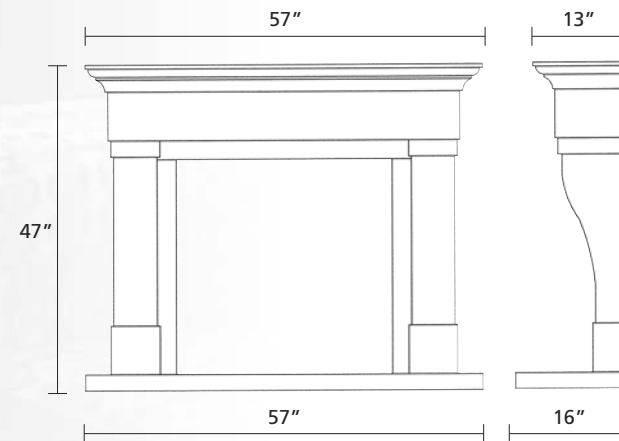


PROVENCE



Fireplace:
Provence in Textured Limestone.
(With matching brick chamber).

Fire:
FDC 8 multifuel stove.



Portuguese Limestone



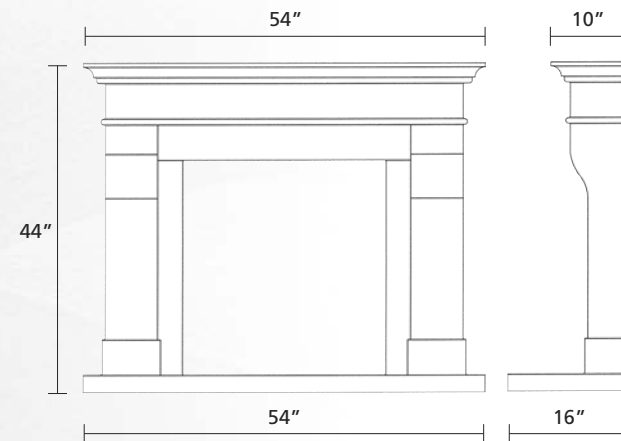
RIALTO



Fireplace:
Rialto in Textured Limestone.

Chamber:
Charcoal Slate tile.

Fire:
FDC 5 Wide multifuel stove.



Portuguese Limestone



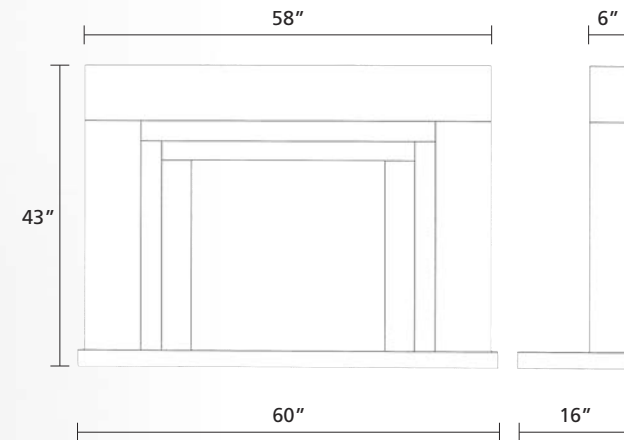
STONEHENGE



Fireplace:
Stonehenge in Veined Limestone.

Chamber:
Reeded fireboard.

Fire:
FDC 8 multifuel stove.



Portuguese Limestone

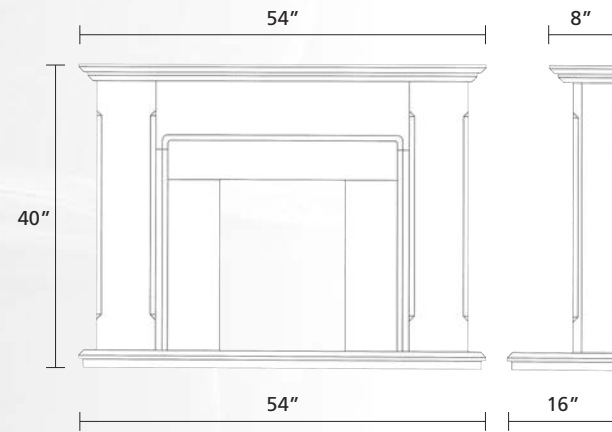


TRIPOLI



Fireplace:
Tripoli in Veined Limestone.

Fire:
Enigma II with Bauhaus fret.



Portuguese Limestone

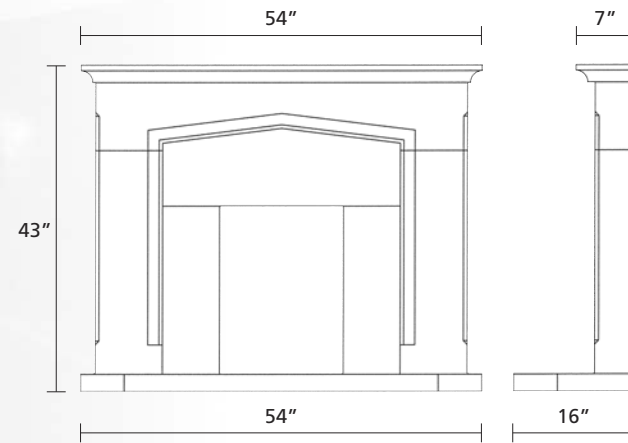


WOODFORD

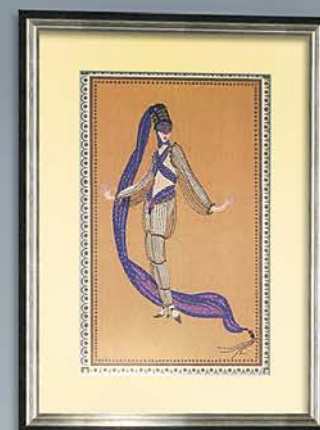


Fireplace:
54" Woodford in Veined Limestone.

Fire:
Enigma II HE with Clevedon fret.



Portuguese Limestone



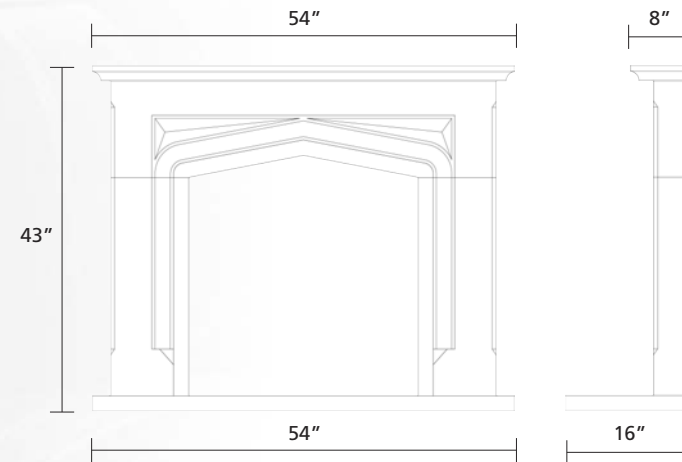
BOSCOMBE



Fireplace:
Boscombe in Sandstone.

Chamber:
Reclaimed brick.

Fire:
FDC 5 multi fuel stove.



Sandstone

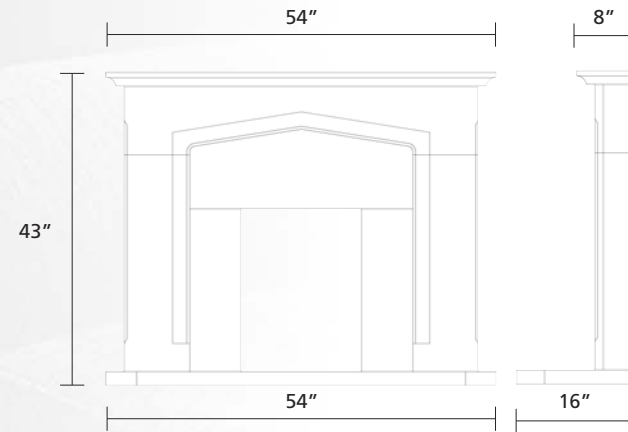


DERBYSHIRE



Fireplace:
Derbyshire in Sandstone.

Fire:
Enigma II HE with Baltimore fret.



Sandstone



P E M B R O K E



Mantel:

Pembroke in Sandstone.
(Shown without cushion frieze).

Chamber:

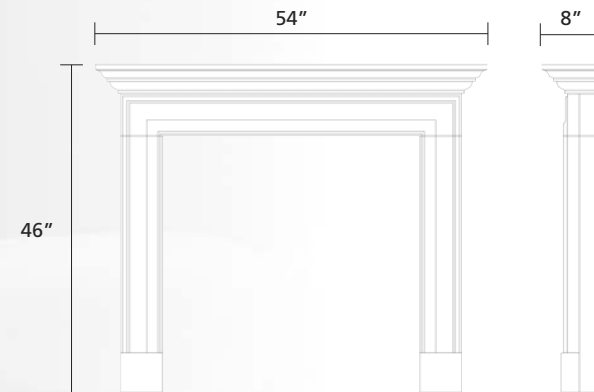
Smooth Buff brick.

Fire:

FDC 8 multifuel stove.

Hearth & Slips:

Honed & oiled Slate.



Sandstone



P E M B R O K E W I T H F R I E Z E



Mantel:

Pembroke in Sandstone.
(Shown with cushion frieze).

Interior:

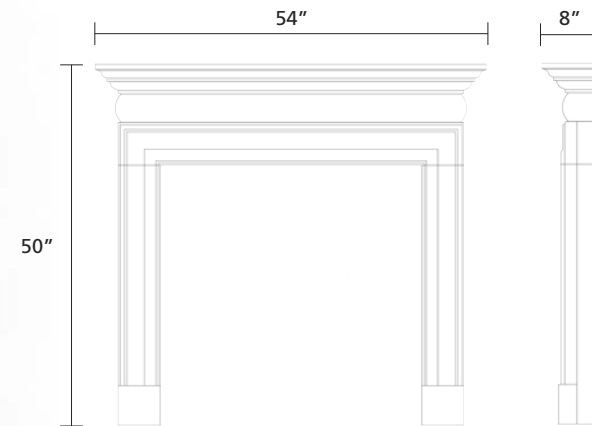
Highlight Victoria cast iron arch.

Fire:

Bespoke coal effect gas fire.

Hearth:

Honed Black Granite.



Sandstone



SHELBY

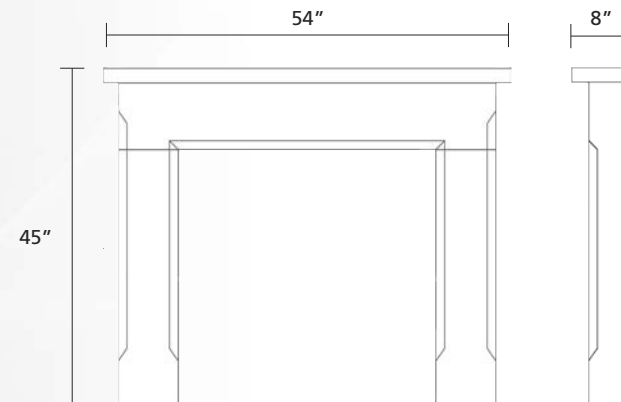


Mantel:
Shelby in Sandstone.

Interior:
Monarch cast iron arch.

Fire:
Bespoke coal effect gas fire.

Hearth:
Polished Black Granite.



Sandstone



REGENCY

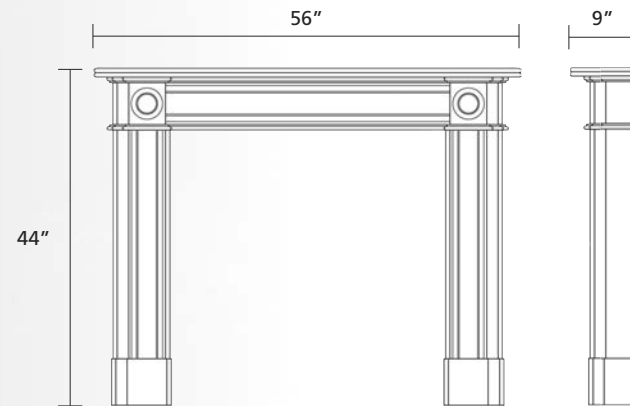


Mantel:
Regency in Carrara Marble.

Interior:
Milton cast iron fascia with plain canopy.

Fire:
Enigma II.

Hearth:
Polished Black Granite.



Polished Carrara marble



VICTORIAN CLASSIC

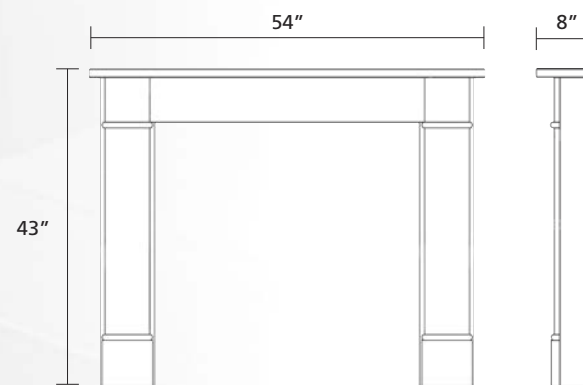


Mantel:
Victorian Classic in Carrara Marble.

Interior:
Byron cast iron plate.

Fire:
Enigma II with Baltimore fret.

Hearth:
Honed & oiled Slate.



Polished Carrara marble



VICTORIAN CORBEL

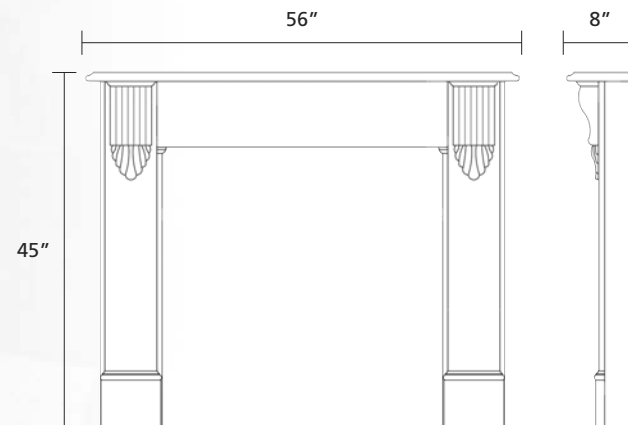


Mantel:
Victorian Corbel in Carrara Marble.

Chamber:
Charcoal Slate tile.

Fire:
FDC 5 multifuel stove.
(With optional black handle).

Hearth & Slips:
Honed & oiled Slate.



Polished Carrara marble

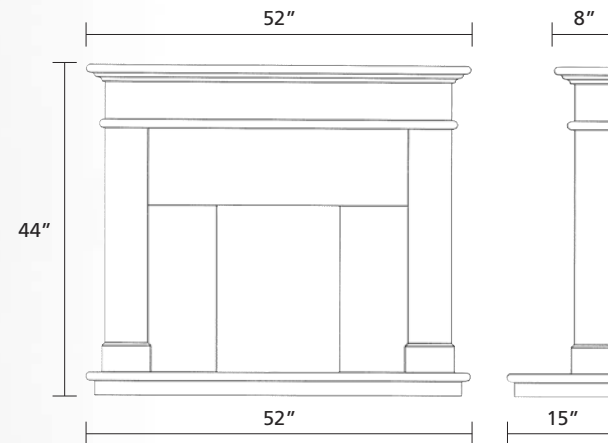


BALMORAL

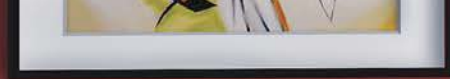


Fireplace:
Balmoral in Egyptian Crème Marble.

Fire:
Enigma II Slimline with Baltimore fret.



Egyptian Crème Marble

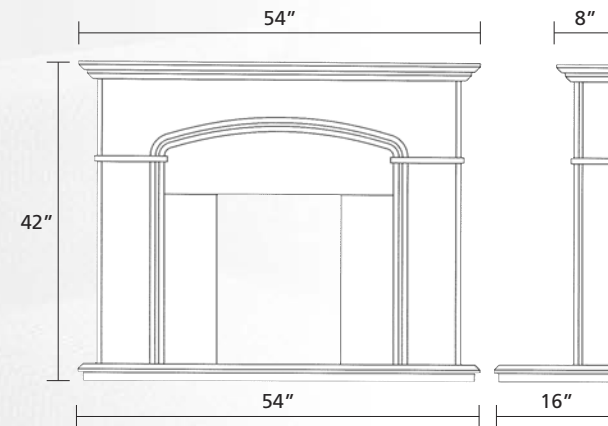


C A M B R I D G E



Fireplace:
Cambridge in Egyptian Crème Marble.

Fire:
Enigma II HE with Bauhaus fret.



Egyptian Crème Marble



DULWICH

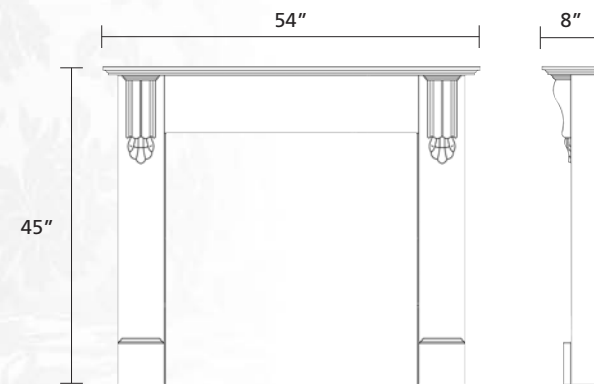


Mantel:
Dulwich in Egyptian Crème Marble.

Interior:
Black Victoria cast iron arch.

Fire:
Open log fire.

Hearth:
Polished Black Granite.



Egyptian Crème Marble

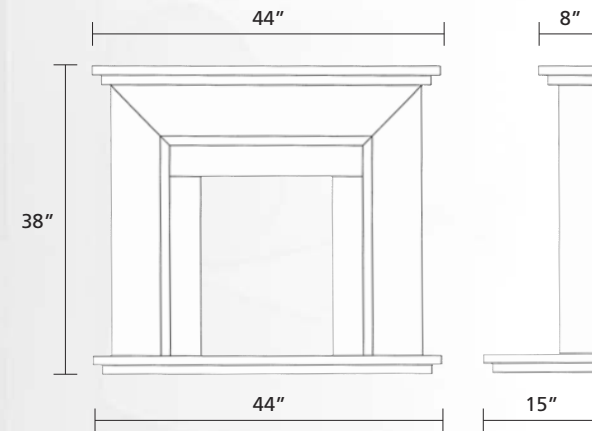


SINTRA



Fireplace:
Sintra in Egyptian Crème Marble.

Fire:
Enigma II with Clevedon fret.



Egyptian Crème Marble



BOLECTION

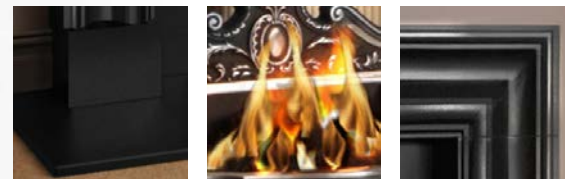
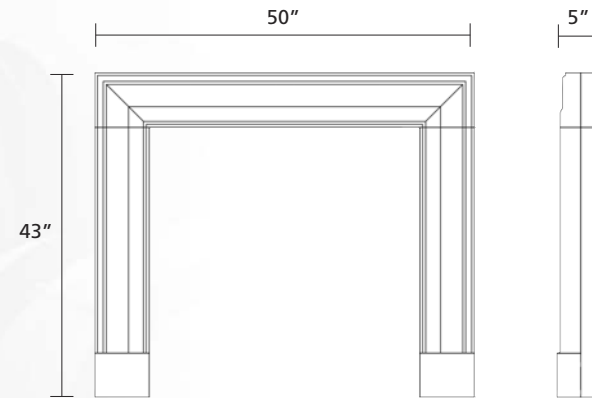


Mantel:
Bolection in Black Granite.

Chamber:
Reeded fireboard.

Basket:
Polished Queen Anne.

Hearth & slips:
Honed & oiled Slate.



Black Granite



FLAT VICTORIAN



Mantel:

Flat Victorian in Black Granite.

Interior:

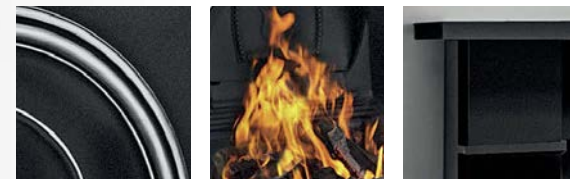
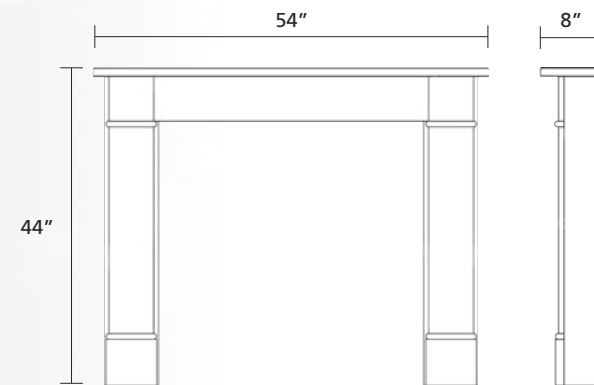
Highlight Victoria cast iron arch.

Fire:

Open log fire.

Hearth:

Polished Black Granite.



Black Granite



PLAIN CORBEL



Mantel:

Plain Corbel in Black Granite.

Chamber:

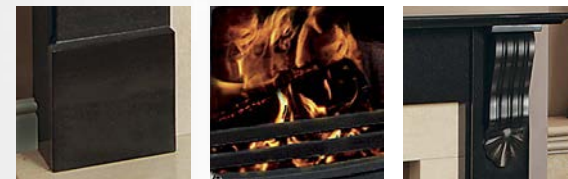
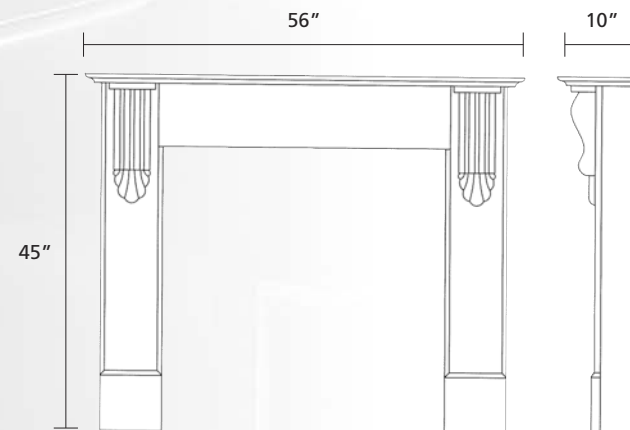
Antique Brick fireboard.

Fire:

FDC 5 multifuel stove.

Hearth & Slips:

Egyptian Crème.



Black Granite



48" BEDFORD

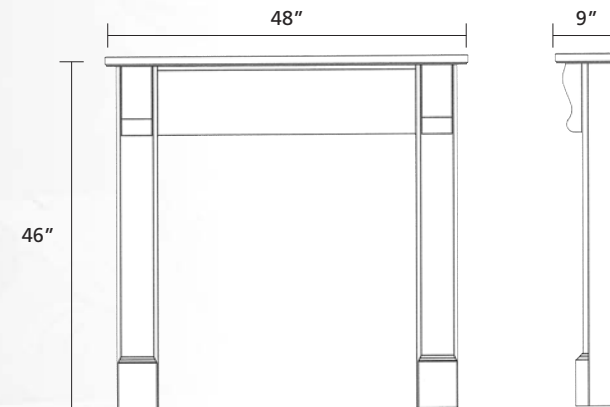


Mantel:
48" Bedford in Natural Oak.

Interior:
Milton cast iron fascia with patterned canopy.

Fire:
Enigma II.

Hearth:
Polished Black Granite.



Natural Oak



54" BEDFORD

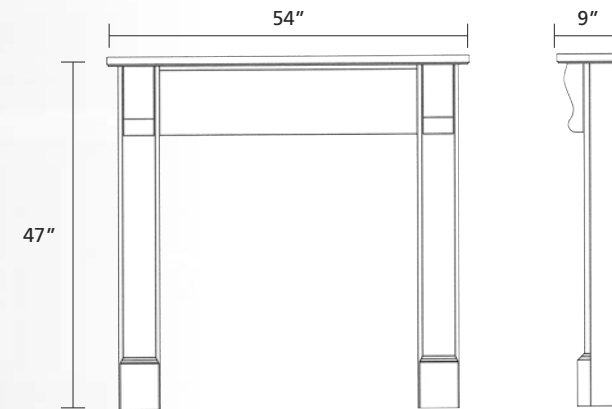


Mantel:
54" Bedford in Natural Oak.

Interior:
Black Victoria cast iron arch.

Fire:
Bespoke coal effect gas fire.

Hearth:
Honed & oiled Slate.



Natural Oak



BELFAST

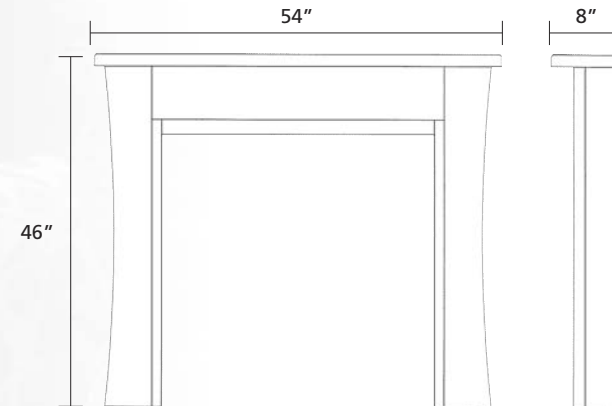


Mantel:
Belfast in Brown Oak.

Interior:
Milton cast iron fascia with patterned canopy.

Fire:
Enigma II.

Hearth:
Poished Black Granite.



Brown Oak



BELFAST

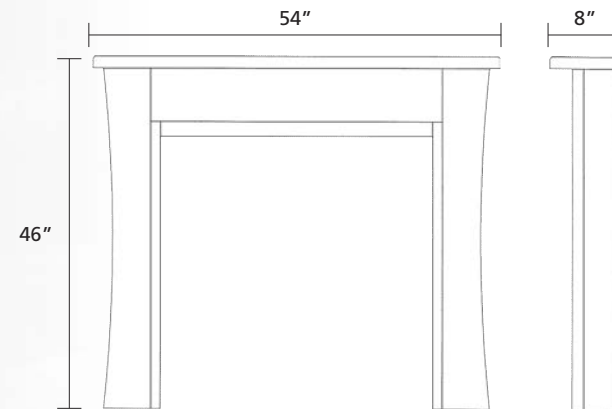


Mantel:
Belfast in Natural Oak.

Interior:
Milton cast iron fascia with plain canopy.

Fire:
Enigma II.

Hearth:
Honed & oiled Slate.



Natural Oak



48" LINCOLN

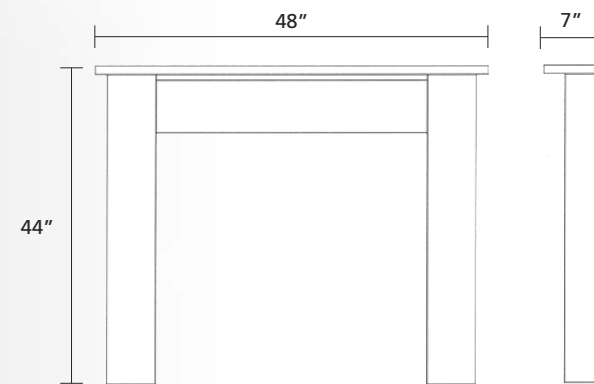


Mantel:
48" Lincoln in Natural Oak.

Interior:
Monarch cast iron arch.

Fire:
Bespoke coal effect gas fire.

Hearth:
Polished Black Granite.



Natural Oak



54" LINCOLN



Mantel:

54" Lincoln in Natural Oak.

Interior & Chamber:

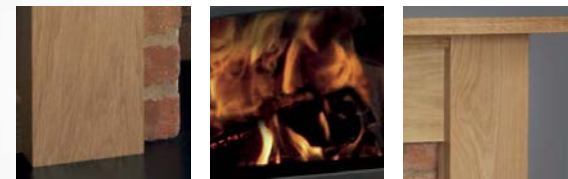
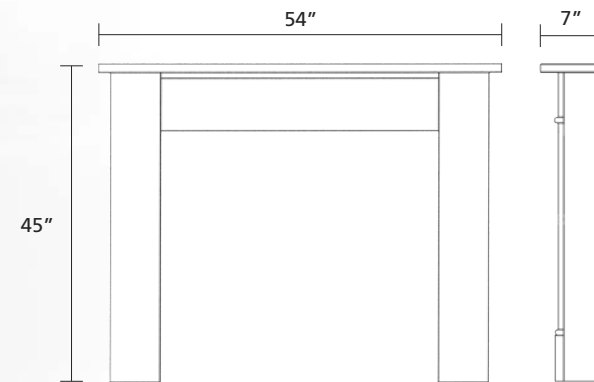
Rustic Brick with arch & returns.

Fire:

FDC 5 multifuel stove.

Hearth:

Honed & oiled Slate.



Natural Oak

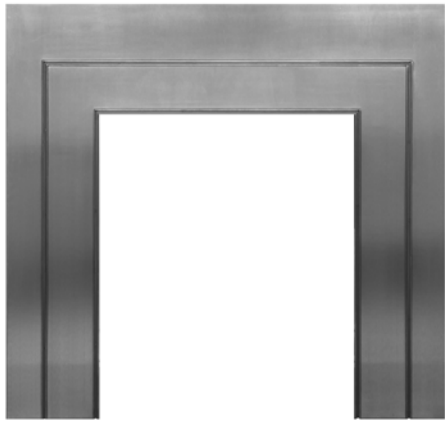


WIVES
The Flowers of May

CLARK
ARTISTS



STEEL HOBS AND FASCIAS



SHAFTESBURY FASCIA



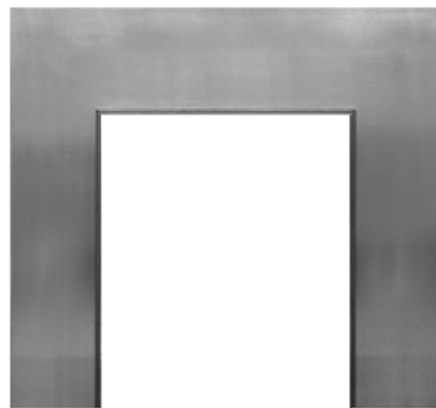
GEORGIAN FASCIA



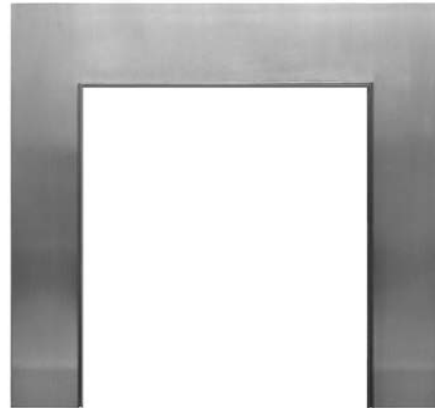
GEORGIAN HOB



SHAFTESBURY HOB



SALISBURY FASCIA



AMESBURY FASCIA

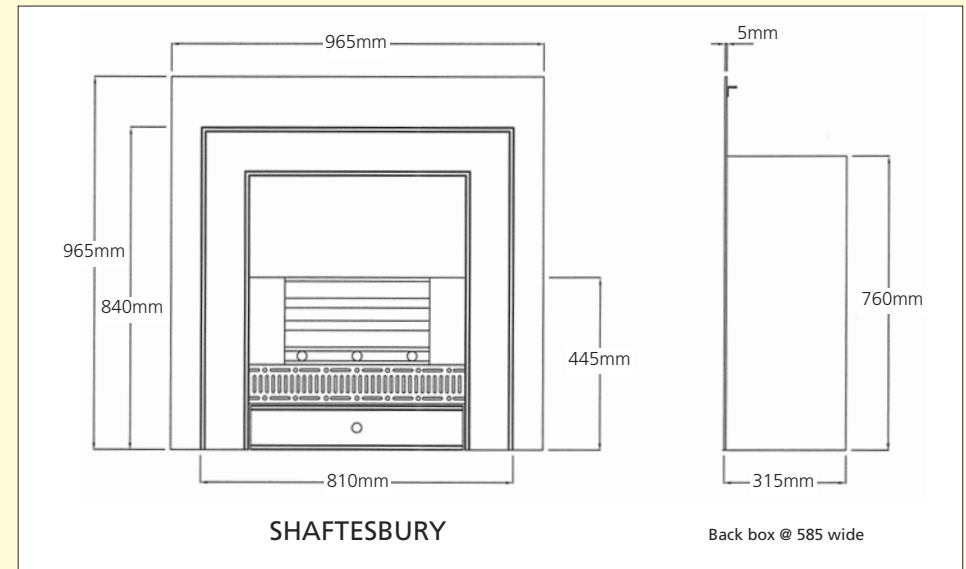
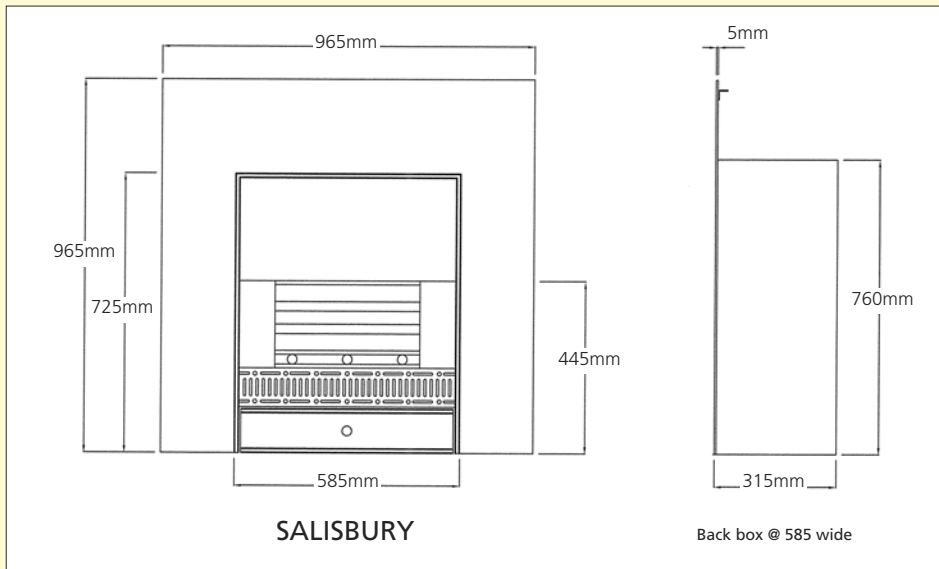
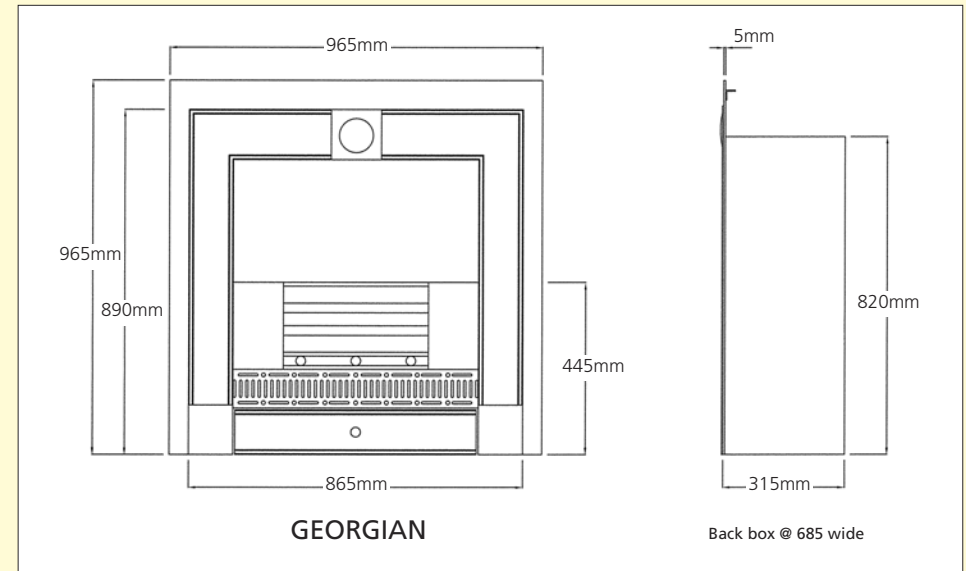
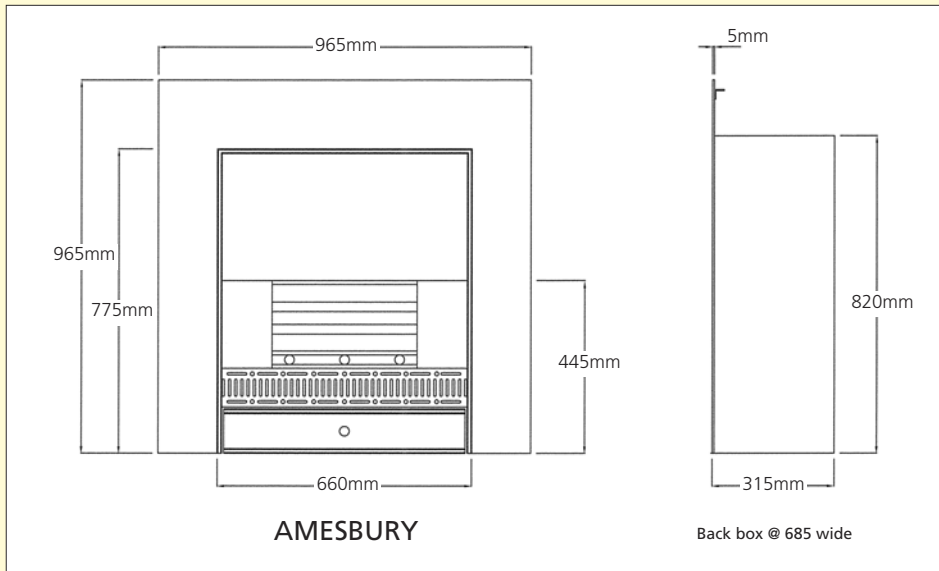


AMESBURY HOB



SALISBURY HOB

STEEL HOBS AND FASCIAS



CAST IRON ARCHES AND FASCIAS



VICTORIA WITH DEEP BACK



MONARCH WITH BACK



BRAEMAR WITH BACK



MILTON WITH PLAIN CANOPY

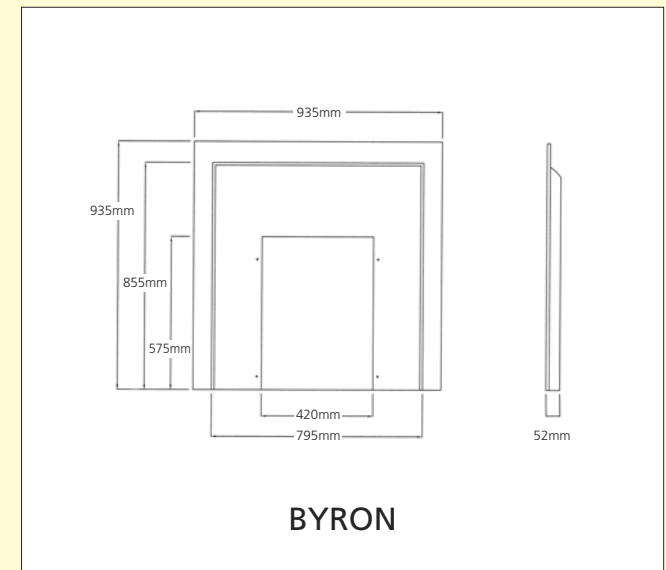
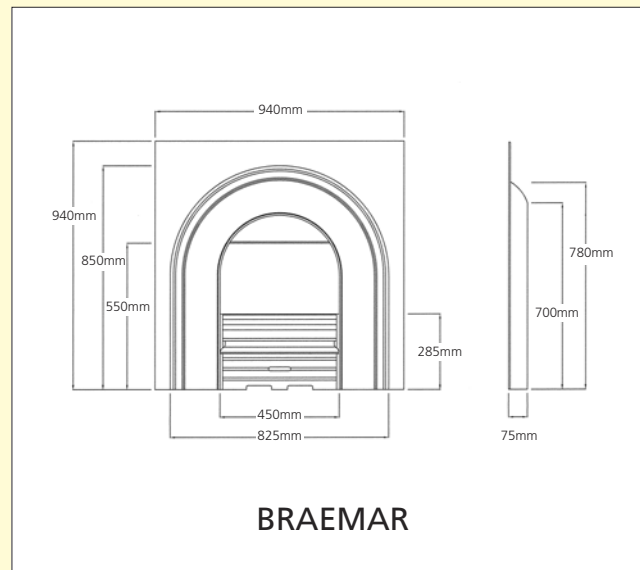
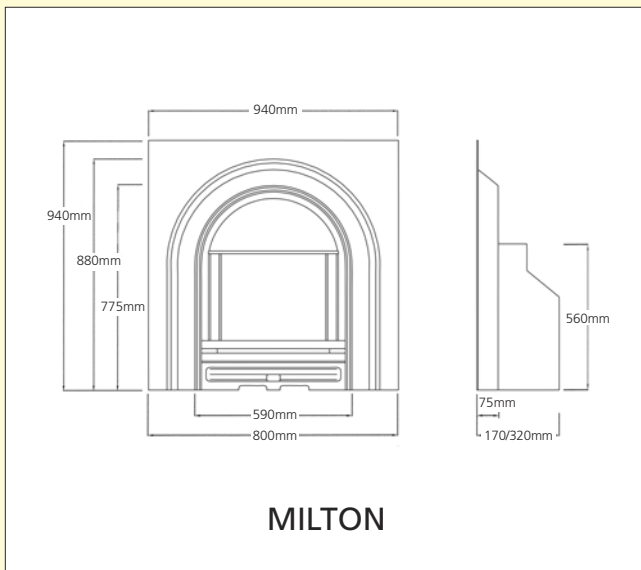
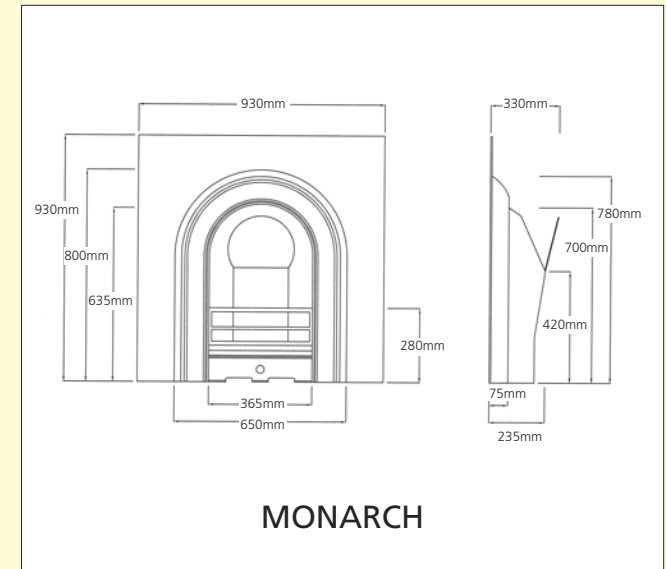
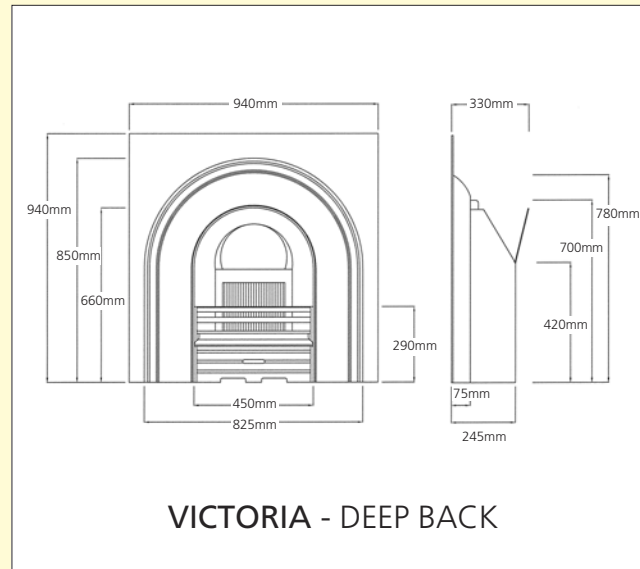
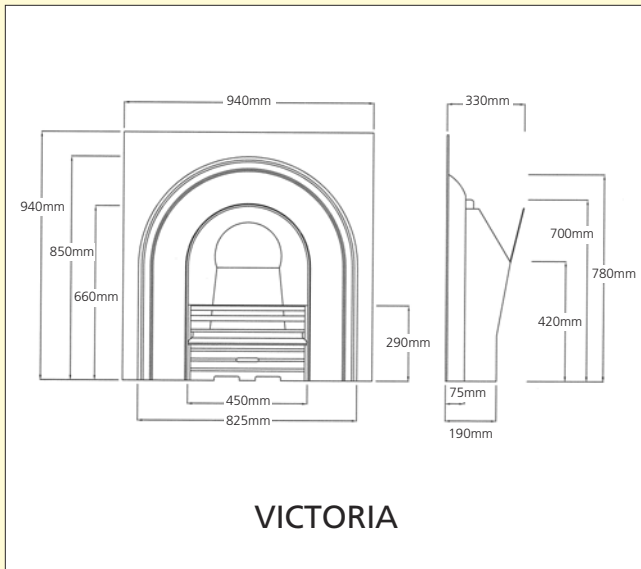


MILTON WITH PATTERNED CANOPY



BYRON

CAST IRON ARCHES AND FASCIAS



GAS FIRES



ENIGMA II

- Deep fuel bed for an ultra-realistic effect
- Built-in flue restrictor to maximise heat output
- Heat output of up to 4.0 kW at 57% efficiency
- Choice of coal or pebble fuel beds
- Suitable for class 1 and 5" lined flues
- Rear venting to reduce flue debris entering the fire
- Choice of manual or battery operated slide control
- Four trim options: black, brass, brushed stainless steel and polished stainless steel
- Compatible with a variety of decorative fire frets



ENIGMA II HE

- Heat output of up to 4.9 kW at 89% efficiency
- Excellent radiant heat output
- Ceramic glass front technology
- Suitable for class 1 and 5" lined flues
- Choice of manual, battery operated slide control and remote control

ENIGMA II SLIMLINE

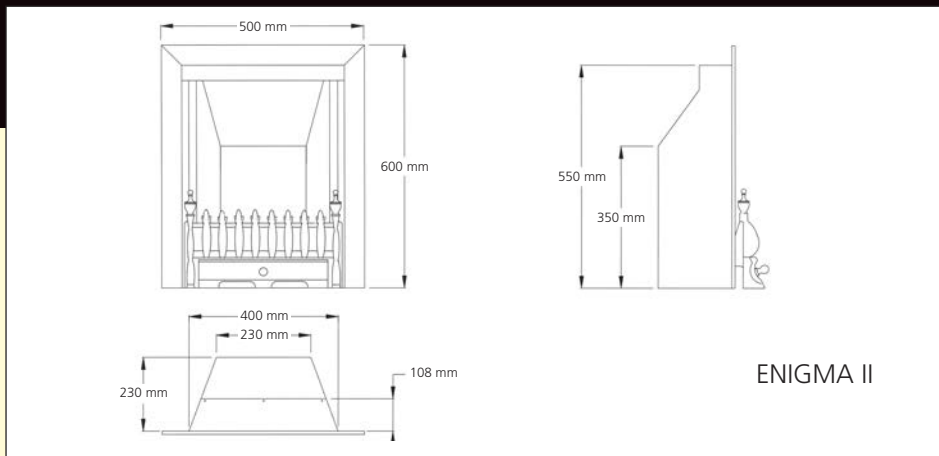
- A superb flame picture with a glowing fire bed
- At only 120 mm deep will fit almost any flue
- Heat output of up to 4.1 kW at 58% efficiency
- Choice of coal or pebble fuel beds
- Suitable for class 1, class 2 and precast flues
- Choice of manual or battery operated slide control
- Four trim options: black, brass, brushed stainless steel and polished stainless steel
- Compatible with a variety of decorative fire frets



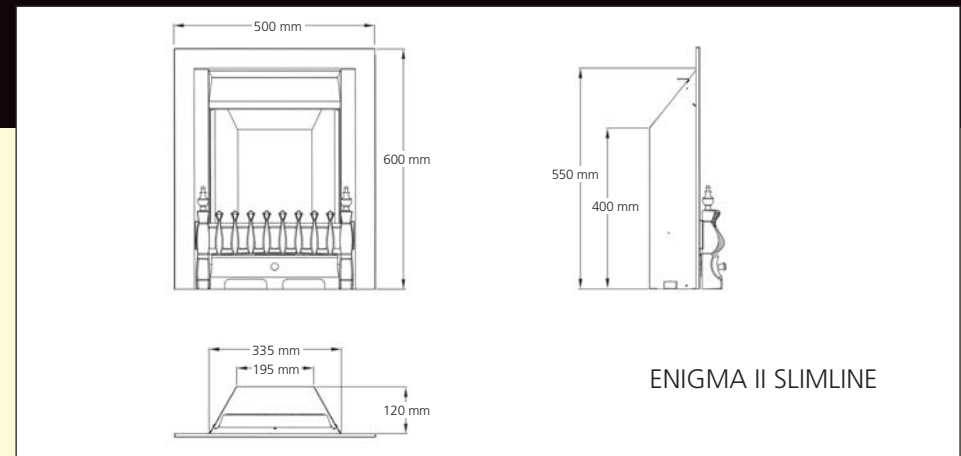
ENIGMA II HE SLIMLINE

- Heat output of up to 4.1 kW at 75% efficiency
- Excellent radiant heat output
- Ceramic glass front technology
- Suitable for class 1, class 2 and precast flues
- Choice of manual or battery operated slide control

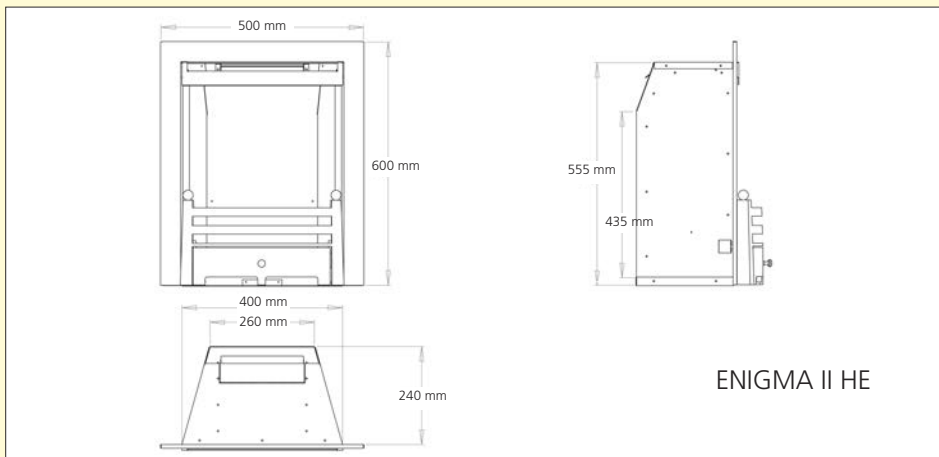




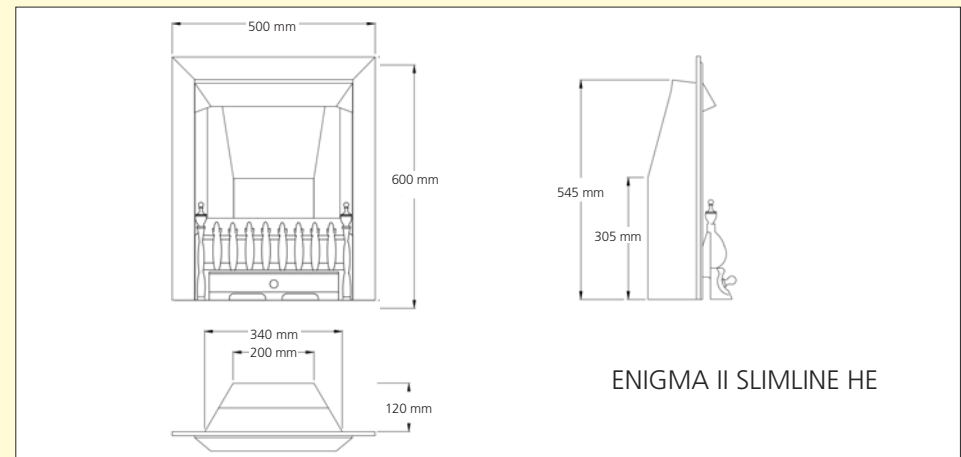
ENIGMA II



ENIGMA II SLIMLINE



ENIGMA II HE



ENIGMA II SLIMLINE HE

GAS FIRE EFFICIENCIES

	Setting	Input	Net Efficiency	Output
Enigma II (N.G. only)	High	7 kW	57%	4 kW
	Low	4.8 kW	50%	2.4 kW
Enigma II HE (N.G. only)	High	5.5 kW	89%	4.9 kW
	Low	2.4 kW	70%	1.9 kW
Enigma II Slimline (N.G. only)	High	7 kW	58%	4.1 kW
	Low	2.4 kW	50%	1.2 kW
Enigma II Slimline HE (N.G. only)	High	5.5kW	75%	4.1kW
	Low	2.4kW	65%	1.5kW

All FDC gas and electric fires are manufactured under a BS EN ISO 9001 quality system (registration number 5195), which covers all areas of product design, development, manufacture and service.

A gas fire is a technical piece of equipment and, just like a gas boiler, requires servicing. It is essential that you have your gas fire serviced annually by a GAS SAFE REGISTER installer.

All FDC (UK) Ltd gas fires carry a 12 month warranty from the date of installation. Please ensure you complete and return the warranty registration page in the back of the instruction manual. Please note that the ceramic fuel bed, firebox liners and glass are not covered by the warranty however spares are available from your retailer.

FIRE BASKETS



18" CROMWELL
455 W x 320 D x 180 H



16" CROMWELL
390 W x 280 D x 180 H



**16", 18" & 21"
VALENCIA**

16": 400 W x 335 D x 220 H
18": 470 W x 335 D x 220 H
21": 550 W x 335 D x 220 H



**18" & 21" VALENCIA
with back**

18": 470 W x 290 D x 475 H
21": 550 W x 290 D x 500 H



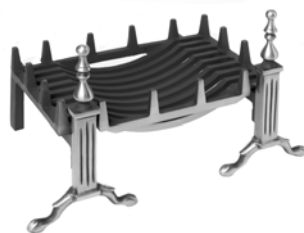
**18" & 21" VALENCIA
with back & brass legs**



QUEEN ANNE Polished
590 W x 285 D x 585 H



QUEEN ANNE Polished with Brass legs
590 W x 285 D x 585 H



18", 24" & 30" SWAN'S NEST

18": 460 W x 305 D
24": 630 W x 350 D
30": 750 W x 335 D



GOTHIC fire dogs
250 W x 360 D x 180 H



REGENCY fire dogs
200 W x 360 D x 405 / 180 H



CASTLE Highlight
570 W x 280 D x 440 H



CASTLE Black
570 W x 280 D x 440 H



**24" SWAN'S NEST with
ST. GEORGE fireback**
Back: 610 W x 660 H

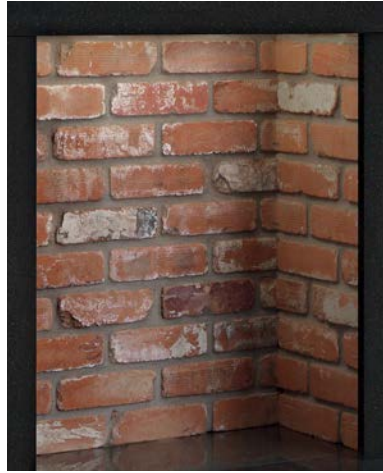


CELTIC fire dogs
140 W x 360 D x 515 / 180 H

CHAMBERS



OLD RED STOCK



RECLAIMED



SMOOTH BUFF



CHARCOAL SLATE



RIVEN LIMESTONE



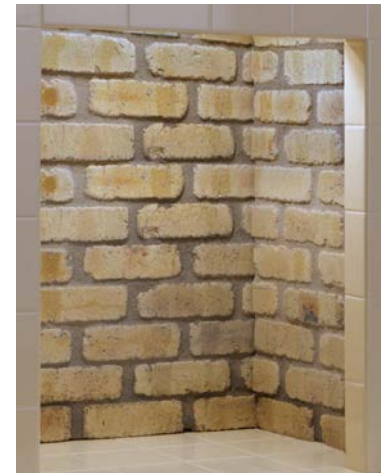
REEDED FIREBOARD



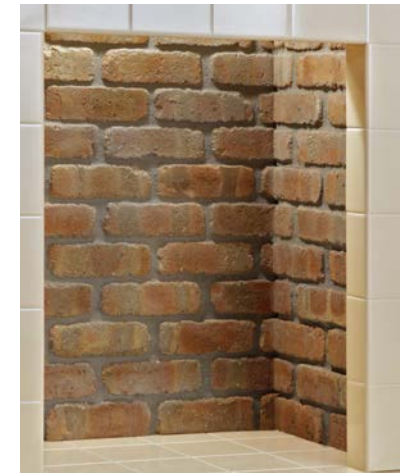
BLOCK FIREBOARD



RUSTIC WITH ARCH
& RETURNS



COBBLE CREAM



COBBLE LAVENDER

DIMENSIONS

ABINGDON	
Shelf:	1330 x 210 x 60
Hearth:	1330 x 410 x 50 SOLID SQUARE
Back Hearth:	900 x 380 x 30
Height (inc hearth):	1120
Mantel Opening:	810 wide x 810 high
Across Legs:	1210
Leg Depth:	140
Rebate:	80

ACANTHUS	
Shelf:	1600 x 250 x 30
Hearth:	N/A
Height:	1200
Mantel Opening:	895 wide x 915 high
Across Legs:	1405
Leg Depth:	140
Rebate:	25

ANCONA	
Shelf:	1170 x 150
Hearth:	1220 x 380 x 60 FLUSH BOXED SQUARE
Height (inc hearth):	1110
Mantel Opening:	780 wide x 840 high
Across Legs:	1170
Leg Depth:	150
Rebate:	75

ASCOT	
Shelf:	1445 x 225 x 70
Hearth:	N/A
Height:	1175
Mantel Opening:	905 wide x 915 high
Across Legs:	1305
Leg Depth:	155
Rebate:	75

BALMORAL	
Shelf:	1320 x 220 x 60
Hearth:	1320 x 380 x 80 B&L SQUARE WITH BULLNOSE
Height (inc hearth):	1130
Mantel Opening:	870 wide x 830 high
Across Legs:	1210
Leg Depth:	160
Rebate:	75 (35mm - with lights)

BAVERSTOCK 54	
Shelf:	1370 x 200 x 65
Hearth:	N/A
Height:	1165
Mantel Opening:	910 wide x 910 high
Across Legs:	1255
Leg Depth:	135
Rebate:	75

BAVERSTOCK 56	
Shelf:	1420 x 200 x 65
Hearth:	N/A
Height:	1170
Mantel Opening:	915 wide x 915 high
Across Legs:	1285
Leg Depth:	135
Rebate:	75

BECKFORD	
Shelf:	1220 x 180 x 60
Hearth:	1220 x 410 x 60 SOLID SQUARE
Height:	1060
Mantel Opening:	760 wide x 760 High
Across Legs:	1120
Leg Depth:	120
Rebate:	35 or 75 (please specify)

BEDFORD 48	
Shelf:	1220 x 215 x 32
Hearth:	N/A
Height:	1180
Mantel Opening:	865 Wide x 915 High
Across Legs:	1145
Leg Depth:	150
Rebate:	25 / 75

D I M E N S I O N S

BEDFORD 54	
Shelf:	1370 x 215 x 32
Hearth:	N/A
Height:	1195
Mantel Opening:	915 Wide x 915 High
Across Legs:	1260
Leg Depth:	150
Rebate:	25 / 75

BELFAST	
Shelf:	1370 x 205 x 32
Hearth:	N/A
Height:	1180
Mantel Opening:	915 Wide x 915 High
Across Legs:	1300
Leg Depth:	145
Rebate:	25 / 75

BLENHEIM 54	
Shelf:	1370 x 195 x 60
Hearth:	N/A
Height:	1125
Mantel Opening:	870 wide x 890 High
Across Legs:	1240
Leg Depth:	140
Rebate:	30

BLENHEIM 60	
Shelf:	1520 x 235 x 110
Hearth:	N/A
Height:	1220
Mantel Opening:	890 wide x 910 high
Across Legs:	1300
Leg Depth:	145
Rebate:	30

BOLECTION	
Shelf:	1280 x 115
Hearth:	N/A
Height:	1095
Mantel Opening:	910 wide x 910 high
Across Legs:	1280
Leg Depth:	145
Rebate:	30

BOLECTION WITH SHELF	
Shelf:	1460 x 205 x 105
Hearth:	N/A
Height:	1200
Mantel Opening:	910 wide x 910 high
Across Legs:	1280
Leg Depth:	145
Rebate:	30

BOSCOMBE	
Shelf:	1370 x 200 x 50
Hearth:	1370 x 410 x 50 SOLID SQUARE
Height (inc hearth):	1110
Mantel Opening:	840 wide x 700 / 770 high
Across Legs:	1250
Leg Depth:	125
Rebate:	35

CAMBRIDGE 48	
Shelf:	1220 x 220 x 60
Hearth:	1220 x 410 B&L SQUARE WITH ROUNDED CORNERS
Height:	1070
Mantel Opening:	705 wide x 700 / 785 high
Across Legs:	1090
Leg Depth:	140
Rebate:	75

CAMBRIDGE 54	
Shelf:	1370 x 220 x 60
Hearth:	1370 x 410 x 60 B&L SQUARE WITH ROUNDED CORNERS
Height (inc hearth):	1080
Mantel Opening:	760 wide x 700 / 785 high
Across Legs:	1240
Leg Depth:	140
Rebate:	75

DIMENSIONS

CHAMBERLAYNE	
Shelf:	1220 x 200 x 50
Hearth:	1220 x 380 x 60 B&L SQUARE
Height (inc hearth):	1030
Mantel Opening:	620 wide x 670 high
Across Legs:	1120
Leg Depth:	140
Rebate:	75

CHANTRY 56	
Shelf:	1420 x 225 x 30
Hearth:	N/A
Height:	1150
Mantel Opening:	845 wide x 890 high
Across Legs:	1285
Leg Depth:	170
Rebate:	75

CHANTRY 60	
Shelf:	1520 x 225 x 30
Hearth:	N/A
Height:	1180
Mantel Opening:	900 wide x 920 high
Across Legs:	1385
Leg Depth:	170
Rebate:	30

COMPTON	
Shelf:	1120 x 200 x 60
Hearth:	1120 x 380 x 60 B&L SQUARE
Height (inc hearth):	980
Mantel Opening:	620 wide x 670 high
Across Legs:	1000
Leg Depth:	140
Rebate:	75

DERBYSHIRE	
Shelf:	1370 x 200 x 50
Hearth:	1370 x 410 x 50 SOLID CHAMFERED
Height:	1100
Mantel Opening:	780 wide x 760 / 845 high
Across Legs:	1240
Leg Depth:	135
Rebate:	75

DORCHESTER	
Shelf:	1370 x 190 x 60
Hearth:	1370 x 410 x 60 SOLID SQUARE WITH BEVEL
Back Hearth:	800 x 380 x 30
Height (inc hearth):	1090
Mantel Opening:	890 wide x 790 high
Outer Slip Opening:	710 wide x 640 / 700 high
Across Legs:	1250
Leg Depth:	120
Rebate:	35

DULWICH	
Shelf:	1370 x 220 x 30
Hearth:	N/A
Height (inc hearth):	1155
Mantel Opening:	910 wide x 915 high
Across Legs:	1260
Leg Depth:	145
Rebate:	25

DURHAM	
Shelf:	1370 x 250 x 60
Hearth:	1370 x 470 x 90 FLUSH BOXED WITH BEVEL
Top Hearth:	1230 x 300 x 90 FLUSH BOXED WITH BULLNOSE
Height (inc hearth):	1210
Mantel Opening:	760 wide x 630 / 730 high
Across Legs:	1200
Leg Depth:	135
Rebate:	75

EDWARDIAN CORBEL	
Shelf:	1420 x 230 x 30
Hearth:	N/A
Height:	1135
Mantel Opening:	915 (adj) wide x 915 high
Across Legs:	1345 (adj)
Leg Depth:	140
Rebate:	75

DIMENSIONS

EXFORD	
Shelf:	1220 x 185 x 60
Hearth:	1220 x 410 x 60 BOXED SQUARE WITH PROFILE
Height (inc hearth):	1090
Mantel Opening:	760 wide x 760 / 810 high
Across Legs:	1120
Leg Depth:	120
Rebate:	75

FLAT VICTORIAN	
Shelf:	1370 x 200 x 30
Hearth:	N/A
Height:	1125
Mantel Opening:	915 (Adj) wide x 915 High
Across Legs:	1275 (Adj)
Leg Depth:	145
Rebate:	75

FLORENCE	
Shelf:	1370 x 205 x 60
Hearth:	1370 x 410 x 60 SOLID SQUARE WITH PROFILE
Back Hearth:	950 x 380 x 30
Height (inc hearth):	1150
Mantel Opening:	870 wide x 830 high
Stove Slip Opening	750 wide x 730 high
Across Legs:	1250
Leg Depth:	155
Rebate:	35

LANGFORD 54	
Shelf:	1370 x 185 x 60
Hearth:	1370 x 410 x 60 SOLID SQUARE
Back Hearth:	900 x 410 x 30
Height (inc hearth):	1110
Mantel Opening:	810 wide x 785 / 835 high
Stove Opening	670 wide x 725 / 765 high
Across Legs:	1270
Leg Depth:	120
Rebate:	35

LANGFORD 60	
Shelf:	1530 x 205 x 60
Hearth:	1530 x 410 x 60 SOLID SQUARE
Back Hearth:	1000 x 410 x 30
Height (inc hearth):	1220
Mantel Opening:	900 wide x 850 / 900 high
Stove Opening	760 wide x 790 / 830 high
Across Legs:	1380
Leg Depth:	140
Rebate:	35

LINCOLN 48	
Shelf:	1220 x 180 x 32
Hearth:	N/A
Height:	1130
Mantel Opening:	840 Wide x 890 High
Across Legs:	1145
Leg Depth:	115
Rebate:	25 / 75

LINCOLN 54	
Shelf:	1370 x 180 x 32
Hearth:	N/A
Height:	1155
Mantel Opening:	915 Wide x 915 High
Across Legs:	1245
Leg Depth:	115
Rebate:	25 / 75

OXFORD 48	
Shelf:	1220 x 220 x 60
Hearth:	1220 x 410 x 60 B&L CHAMFERED
Height (inc hearth):	1070
Mantel Opening:	705 wide x 700 / 785 high
Across Legs:	1090
Leg Depth:	140
Rebate:	75

OXFORD 54	
Shelf:	1370 x 220 x 60
Hearth:	1370 x 410 x 60 B&L CHAMFERED
Height (inc hearth):	1080
Mantel Opening:	760 Wide x 700 / 785 High
Across Legs:	1240
Leg Depth:	140
Rebate:	75

DIMENSIONS

PEMBROKE	
Shelf:	1370 x 205 x 50
Hearth:	N/A
Height:	1165 / 1265 (with cushion)
Mantel Opening:	910 wide x 910 high
Across Legs:	1210
Leg Depth:	140
Rebate:	30

PLAIN CORBEL	
Shelf:	1420 x 265 x 30
Hearth:	N/A
Height:	1140
Mantel Opening:	910 (Adj) Wide x 910 High
Across Legs:	1310 (Adj)
Leg Depth:	150
Rebate:	80

PRINCETON	
Shelf:	1370 x 190 x 60
Hearth:	1370 x 410 x 60 SOLID SQUARE WITH BEVEL
Height (inc hearth):	1090
Mantel Opening:	890 Wide x 790 High
Across Legs:	1250
Leg Depth:	120
Rebate:	35

PROVENCE	
Shelf:	1450 x 345 x 100
Hearth:	1450 x 410 x 60
Back Hearth:	950 x 450 x 30
Height (inc hearth):	1200
Mantel Opening:	905 wide x 860 high
Stove Opening	790 wide x 790 high
Across Legs:	1265
Leg Depth:	130
Rebate:	60

REGENCY	
Shelf:	1420 x 230 x 30
Hearth:	N/A
Height:	1120
Mantel Opening:	895 wide x 915 high
Across Legs:	1305
Leg Depth:	170
Rebate:	75

RIALTO	
Shelf:	1370 x 265 x 70
Hearth:	1370 x 410 x 60 SOLID SQUARE
Back Hearth:	900 x 380 x 30
Height (inc hearth):	1120
Mantel Opening:	840 wide x 850 high
Stove Slip Opening:	690 wide x 730 high
Across Legs:	1240
Leg Depth:	150
Rebate:	35

RUTLAND	
Shelf:	1475 x 210 x 55
Hearth:	N/A
Height:	1120
Mantel Opening:	820 wide x 705 / 840 high
Across Legs:	1360
Leg Depth:	150
Rebate:	30

SHELBY 51	
Shelf:	1295 x 200 x 50
Hearth:	N/A
Height:	1140
Mantel Opening:	835 wide x 865 high
Across Legs:	1195
Leg Depth:	145
Rebate:	75

SHELBY 54	
Shelf:	1370 x 200 x 50
Hearth:	N/A
Height:	1140
Mantel Opening:	865 wide x 865 High
Across Legs:	1270
Leg Depth:	145
Rebate:	75

D I M E N S I O N S

SINTRA	
Shelf:	1120 x 200 x 60
Hearth:	1120 x 380 x 60 B&L SQUARE
Height (inc hearth):	980
Mantel Opening:	620 wide x 670 high
Across Legs:	1000
Leg Depth:	135
Rebate:	75

STONEHENGE	
Shelf:	1475 x 150
Hearth:	1525 x 410 x 60 FLUSH BOXED SQUARE
Back Hearth:	800 x 380 x 30
Height (inc hearth):	1095
Mantel Opening:	1065 wide x 830 high
Outer Slip Opening:	915 wide x 755 high
Inner Slip Opening:	700 wide x 685 high
Leg Depth:	150
Rebate:	N/A

TRIPOLI	
Shelf:	1370 x 220 x 60
Hearth:	1370 x 410 x 60 B&L SQUARE WITH ROUNDED CORNERS
Height (inc hearth):	1020
Mantel Opening:	770 wide x 700 / 780 high
Across Legs:	1250
Leg Depth:	140
Rebate:	75

VICTORIAN CLASSIC 51	
Shelf:	1295 x 205 x 30
Hearth:	N/A
Height:	1075
Mantel Opening:	915 (adj) wide x 890 high
Across Legs:	1275 (adj)
Leg Depth:	150
Rebate:	75

VICTORIAN CLASSIC 54	
Shelf:	1370 x 205 x 30
Hearth:	N/A
Height:	1100
Mantel Opening:	915 (adj) wide x 915 high
Across Legs:	1295 (adj)
Leg Depth:	150
Rebate:	75

VICTORIAN CLASSIC 56	
Shelf:	1420 x 200 x 30
Hearth:	N/A
Height:	1135
Mantel Opening:	915 (adj) wide x 915 high
Across Legs:	1335 (adj)
Leg Depth:	150
Rebate:	75

VICTORIAN CLASSIC 60	
Shelf:	1520 x 200 x 30
Hearth:	N/A
Height:	1165
Mantel Opening:	915 (adj) wide x 915 high
Across Legs:	1385 (adj)
Leg Depth:	150
Rebate:	75

VICTORIAN CORBEL	
Shelf:	1420 x 220 x 30
Hearth:	N/A
Height:	1160
Mantel Opening:	915 (adj) wide x 915 high
Across Legs:	1325 (adj)
Leg Depth:	125
Rebate:	75

WILLIAM IV	
Shelf:	1520 x 250 x 30
Hearth:	N/A
Height:	1170
Mantel Opening:	920 wide x 920 high
Across Legs:	1400
Leg Depth:	150
Rebate:	30

D I M E N S I O N S

WOODFORD 54	
Shelf:	1370 x 185 x 60
Hearth:	1370 x 410 x 60 SOLID CHAMFERED
Height (inc hearth):	1110
Mantel Opening:	810 wide x 785 / 835 high
Across Legs:	1270
Leg Depth:	120
Rebate:	35

WOODFORD 60	
Shelf:	1530 x 205 x 60
Hearth:	1530 x 410 x 60 SOLID SQUARE
Height (inc hearth):	1220
Mantel Opening:	900 wide x 850 / 900 high
Across Legs:	1380
Leg Depth:	140
Rebate:	35

I M P O R T A N T I N F O R M A T I O N

INSTALLATION

Having a new fireplace installed is a major project and it is advisable to prepare yourself as well as possible. Please ensure your chosen fireplace will physically fit your chimney breast and that it is compatible with the intended heating appliance. The best way to confirm this will be to organise a home survey with the retailer or your installer prior to purchase.

All installations must be carried out in accordance with the requirements set out in the Building Regulation documents, paying particular attention to Approved Document J. There are independent bodies which have been approved to carry out installations in accordance with these regulations. For gas installations, the most recognised independent body is GAS SAFE REGISTER and for solid fuel installations it is HETAS. It is essential to confirm with your retailer that your new fireplace will be installed appropriately. If you have your new fireplace installed by a GAS SAFE REGISTER (gas) or HETAS (solid fuel) registered fitter you will be given a certificate stating that your installation has been carried out in accordance with Building Regulations. If you do not have one of these certificates you will have to arrange for your local Building Control Officer to inspect and approve your installation.

PRODUCT SPECIFICATION

FDC (UK) Ltd has a continuous research and development programme which may necessitate changes to sizes and specifications without prior notification. If any size is critical this should be made clear to your retailer at point of order.

THE FDC PLEDGE

You can purchase any of the products shown in this brochure with total confidence. In the unlikely event that there is a defect discovered on unpacking, a replacement part will be supplied without hesitation.

Of course, this requires the products to be fully inspected prior to installation as no responsibility for refitting or redecoration can be accepted if defective products have been installed or products have been damaged during installation. In these cases and in the case of accidental damage after installation, in-situ repairs might be possible. Please refer to your retailer for further information.

MATERIAL SPECIFICATION

All the fireplaces in this brochure are hand finished. As such, all measurements are approximate and may vary slightly from those published. If any size is critical this should be made clear to your retailer at point of order.

All the fireplaces are manufactured from natural materials and colour and veining variation can occur from photographs, printed material and any showroom displays that relate to these products. Any variation is outside our control and cannot be regarded as faulty or substandard. Due to the nature of the materials used in construction of these fireplaces it may be necessary to reinforce or use suitable filler to eliminate brecciation in the material.

LIMESTONE

Small fossils and calcified veins (very fine black lines which can be misinterpreted as cracks) are an inherent feature of natural limestone and whilst every care is taken to select the clearest material some are likely to be present.

Due to the high moisture content of limestone, fireplaces will dry over time and become lighter in appearance.

Care must be taken before and during installation, as all fireplaces are untreated and are susceptible to discolouration. It is recommended that the completed installation is allowed to dry thoroughly and then sealed with a proprietary sealer. We recommend the 'LTP' range of Stonecare products available from your retailer.

Cleaning and maintenance: Your fireplace can be cleaned with a sponge and warm soapy water. Stubborn stains can be removed with liquid domestic bleach (please test the bleach on an unseen part of the fireplace to check it does not mark the stone). Any small chips or scratches can be remedied using a fine grade 'wet and dry' sand paper.

VEINED LIMESTONE

Fused over millions of years, limestone contains skeletal fragments of marine organisms resulting in natural veining and fossils throughout. Cool to the touch and with a smooth matt finish, this material remains one of our most popular.

TEXTURED LIMESTONE

Taken from the top layer of the quarries in Portugal, this stone is composed of a mixture of hard and soft materials. Once extracted it is sawn and worked in the same way as our veined limestone but is then finished with diamond tipped brushes to create a unique smooth, yet textured surface finish.

AEGEAN LIMESTONE

Also known as Turkish limestone this off-white material is fine grained and infused with thousands of minute fossils. During the manufacturing process many of these become loosened resulting in 'pitting' across the material surface. This is a characteristic of the material and adds to the natural beauty of the product.

SANDSTONE

A sedimentary rock composed mainly of sand-sized minerals or rock grains. This material is of a softer density and requires a more considered approach when handling and during installation. A natural textured finish gives this material its solid, earthy appearance.

NATURAL MARBLE

Marble is a natural material formed from heat-fused limestone over millions of years. Although hard wearing, the polished finish can be susceptible to scratching and staining. It is recommended that the complete installation is allowed to dry thoroughly and then sealed with LTP's MPG sealer. To retain the lustre of your fireplace regularly apply LTP's Stonecare maintenance cleaner.

CARRARA MARBLE

Also known as Statuary marble, its dense composition has made it desirable for sculptures and statues for hundreds of years. The background colour ranges from white through to blue-grey and it is then characterised by a network of darker grey veins running throughout the material.

EGYPTIAN CRÈME

With warm colours and subtle patterns this material will compliment any interior style décor. A feature of this marble is its distinctive fossil content, making each fireplace truly individual. Any inclusions or brecciation in the material will be stopped, filled and polished prior to manufacture.

BLACK GRANITE

This is a very dense, hard wearing igneous rock with a high resistance to scratching and staining. Due to its crystalline structure granite can be highly polished to a consistent colour and deep lustre.

CAST IRON

All the cast iron products are delivered with a protective, oil-based coating on polished surfaces. This should be cleaned off immediately after installation and it is recommended that a spray-type oil is applied to these areas on a regular basis in order to avoid surface rust appearing. Under no circumstances should a water-based cleaner or polish be used to clean cast iron products. Polished surfaces will undergo thermal discolouration during normal use and this is to be expected. High temperature black paint is used inside the fire chamber and will burn off over a period of time. High temperature touch up paint is available from your retailer if required. Ash build up beneath the fire will cause the grate to burn off quickly. The grate and back brick (if present), are consumable parts of your fire and will need replacing from time to time. Due to the nature of cast iron it is vital that all fireplaces undergo a period of 'burning-in'. This involves lighting small fires initially, gradually increasing in size with each subsequent firing.

BRUSHED STEEL FASCIAS

These products are susceptible to rusting if they come into contact with moisture. This can be direct or carried in the atmosphere (such as a recently plastered room). They are supplied with a protective film that inhibits rust formation, however immediately after installation they should be wiped down with a lint free cloth and spray-type oil. We recommend this process is repeated on a weekly basis. Should small areas of surface rust appear they can be removed using extra fine wire wool and WD40.



