

benson

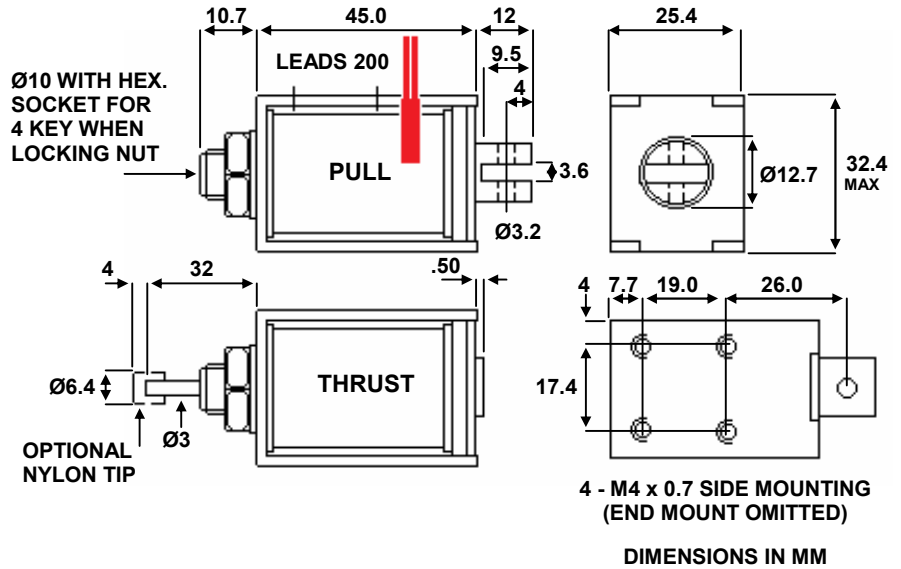
**BS3
DC LINEAR SOLENOID**

Availability

DC Standard Stroke
PULL - THRUST - PULL & THRUST
DC Long Stroke

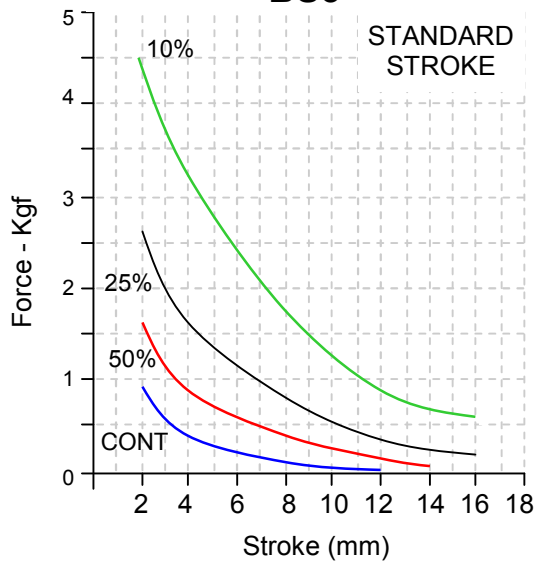
Solenoid shown in energised position

Weight complete 192g approx
Plunger weight 37g max



BS3

STANDARD STROKE



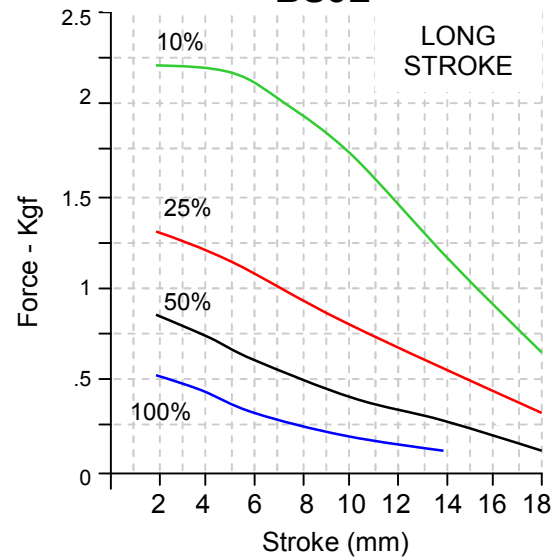
Forces shown are at working temperature
Cold forces are higher

DC Watts

100% Rtg = 8W
50% Rtg = 16W
25% Rtg = 32W
10% Rtg = 80W

BS3L

LONG STROKE



** Please note: Fixing, plunger coupling, thrust rods and lead length can all be customised **

We reserve the right to alter or amend designs without prior notice.

HE & BS Benson Ltd

1 Laureate Industrial Estate, Exning Road, Newmarket, Suffolk UK CB8 0AR

T. +44(0)1638 663535 – 663130 F. +44(0)1638 667434 E. sales@hebsbenson.co.uk www.hebsbenson.co.uk