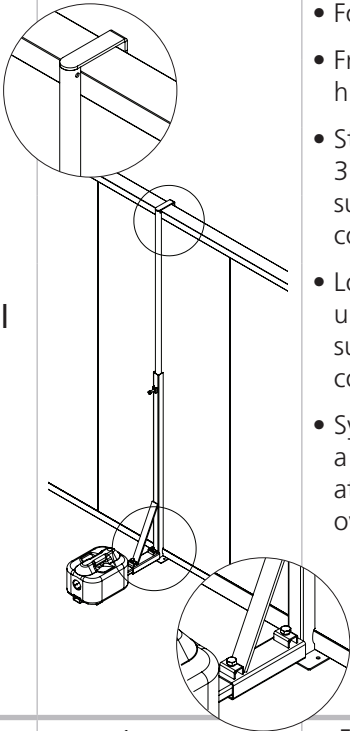
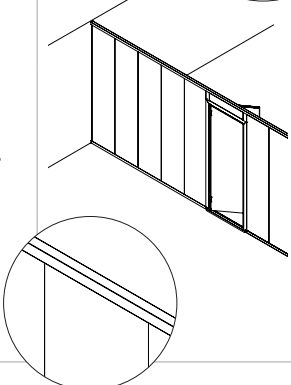


## SUPPORT OPTIONS

The Hoardfast Soundscreen system is available with free-standing universal support or can be fixed floor-to-ceiling up to 3.1m.

SUPPORT TYPE	SUPPORT SPECIFICATION	USED WITH: PANEL	USED WITH: PANEL HEIGHT
<b>Universal (free-standing)</b> 	<ul style="list-style-type: none"> <li>• For maximum stability</li> <li>• Free-standing up to 3.1m high</li> <li>• Standard: allows up to 3 x 16kg weights per support (Protrudes 645mm construction side)</li> <li>• Long: will accommodate up to 6 x 16kg weights per support (Protrudes 900mm construction side)</li> <li>• System secured at base using a hooked in u-channel and at the top using a hooked over pole</li> </ul>	Standard PVC	2.25m / 2.7m / 3m
		Soundscreen	2.25m / 2.7m / 3.1m
		Firescreen	2.25m / 2.7m / 3.1m
		Flamescreen	2.25m / 2.7m
<b>Floor-to-ceiling</b> 	<ul style="list-style-type: none"> <li>• Floor-to-ceiling fixed solution up to 3.1m high</li> <li>• Installed using supplied u-channels</li> </ul>	Budget PVC	2.7m / 3.5m / 4.8m
		Standard PVC	2.25m / 2.7m / 3m / 4m / 5m
		Soundscreen	2.25m / 2.7m / 3.1m
		Firescreen	2.25m / 2.7m / 3.1m / 3.5m / 4m / 4.5m
		Flamescreen	2.25m / 2.7m / 3.5m

This fact sheet is for illustrative purposes only and based on the latest information at the time of print. Installation methods may vary depending on specific project requirements. Westgate reserve the right to make changes at any time without notice.