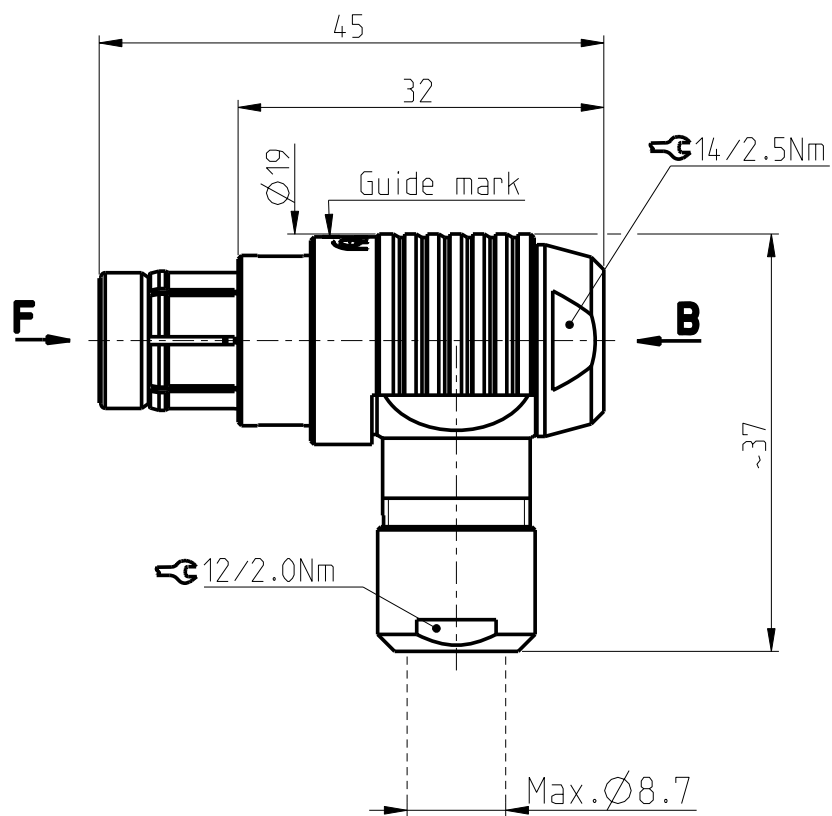


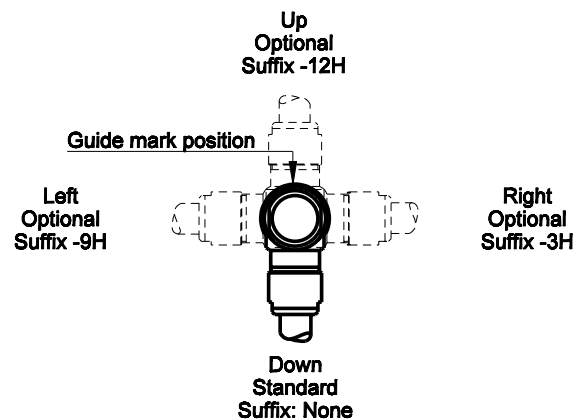
WSO 104 Multipole Plugs

All dimensions see note 1)



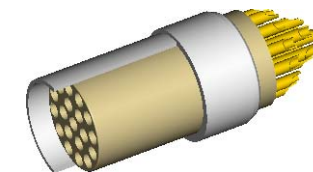
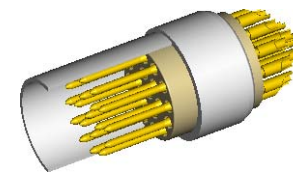
Cable Orientation

(View from B)



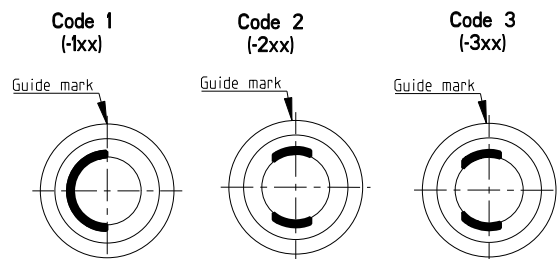
Contact polarity A

Contact polarity Z

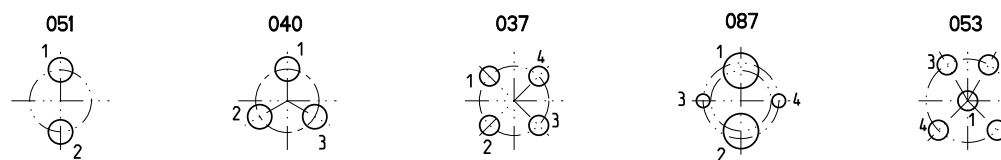


CONTACT CONFIGURATION	Contacts	Solder cup \varnothing		Crimp cup \varnothing ⁽²⁾
104 A Z 051	2	1.86		-
104 A Z 040	3	1.86		1.78
104 A Z 037	4	1.18		1.18
104 A Z 087	4	0.79/2.48		-
104 A Z 053	5	1.18		-

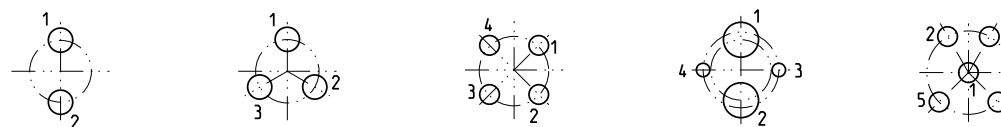
Keying codes (View from F)



Contact configuration for polarity A (View from B)



Contact configuration for polarity Z (View from B)



All dimensions in mm

Rev.

Pages

Notes :

1) All tolerances resulting from connector assembly are typically $\pm 0.3\text{mm}$

2) For optimum crimping refer to available crimping manual.

Part number example : WSO 104 A092-130+

600502

1a

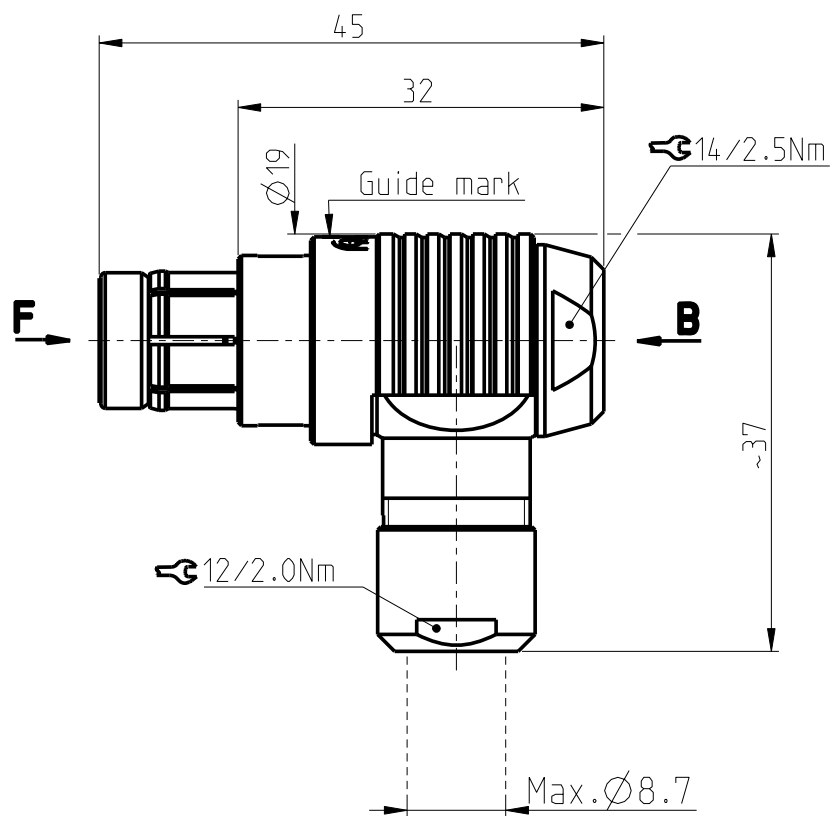
1/3

fischer
CONNECTORS

www.fischerconnectors.com

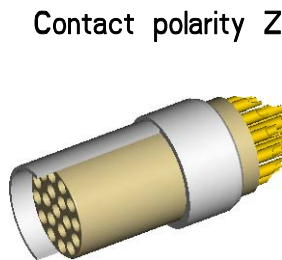
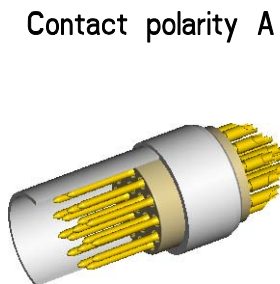
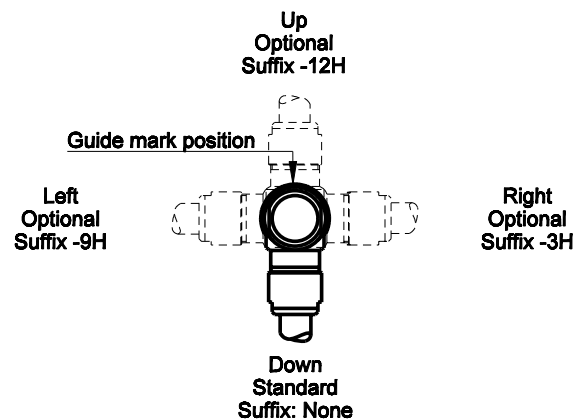
WSO 104 Multipole Plugs

All dimensions see note 1)



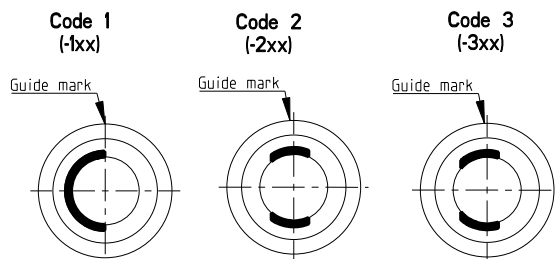
Cable Orientation

(View from B)

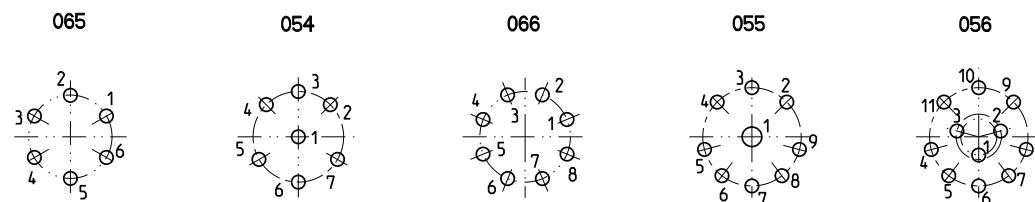


CONTACT CONFIGURATION	Contacts	Solder cup \varnothing	Crimp cup \varnothing
104 A Z 065	6	0.79	0.80
104 A Z 054	7	0.79	-
104 A Z 066	8	0.79	0.80
104 A Z 055	9	0.79/1.18	-
104 A Z 056	11	0.79	0.80

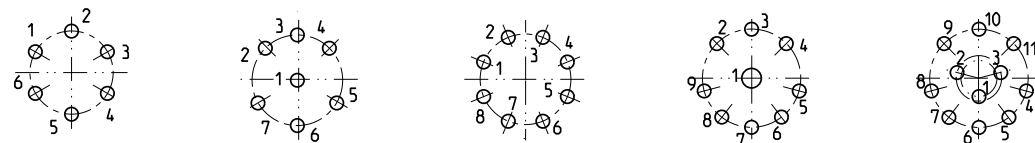
Keying codes (View from F)



Contact configuration for polarity A (View from B)



Contact configuration for polarity Z (View from B)



All dimensions in mm

600502

Rev.

1a

Pages

2/3

Notes:

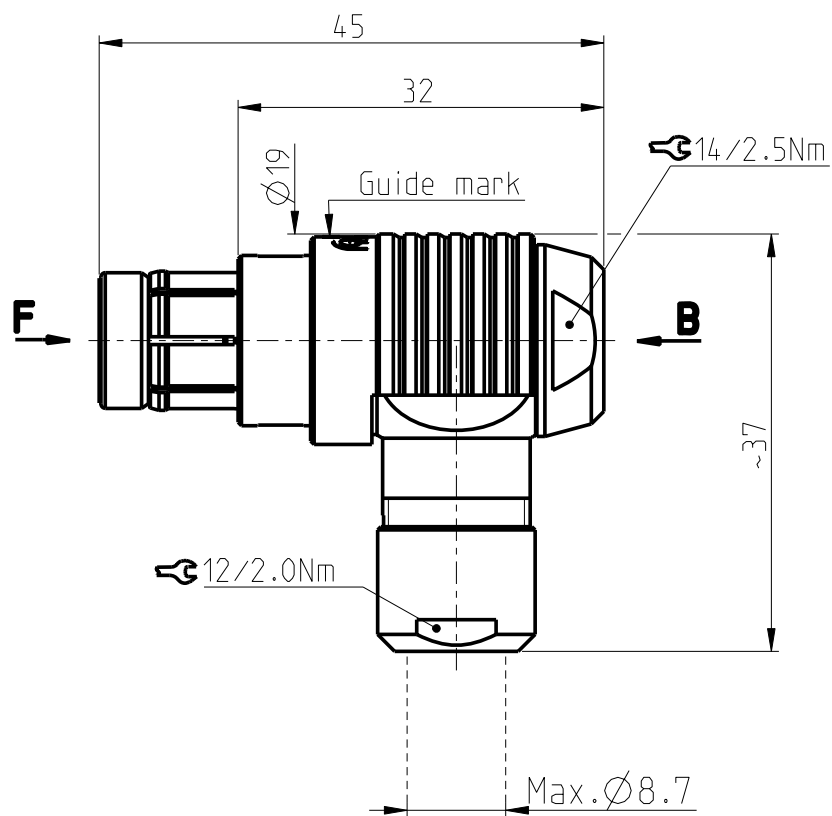
- 1) All tolerances resulting from connector assembly are typically $\pm 0.3\text{mm}$
 - 2) For optimum crimping refer to available crimping manual.
- Part number example : WSO 104 A092-130+

fischer
CONNECTORS

www.fischerconnectors.com

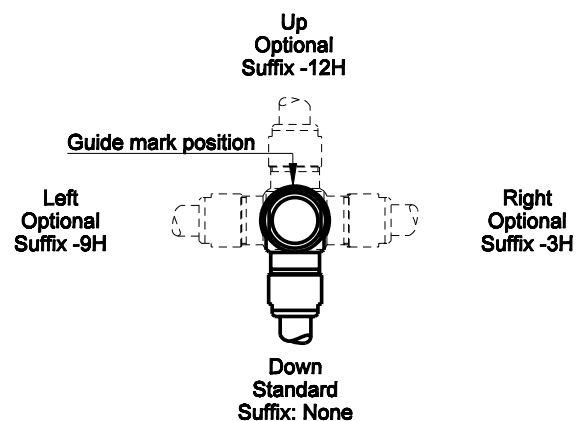
WSO 104 Multipole Plugs

All dimensions see note 1)



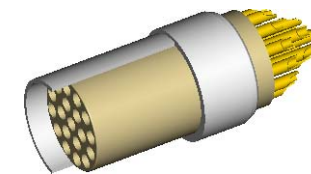
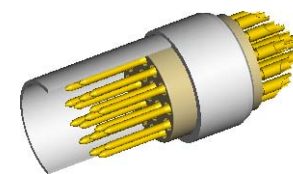
Cable Orientation

(View from B)



Contact polarity A

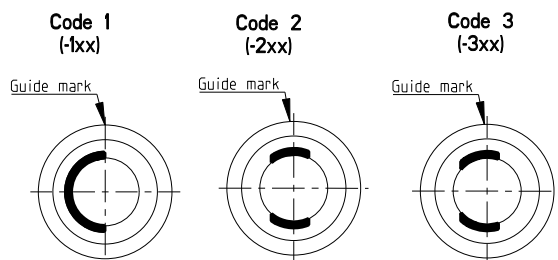
Contact polarity Z



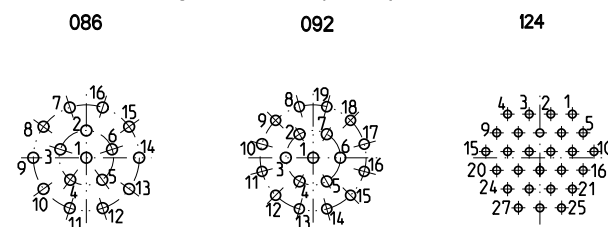
CONTACT CONFIGURATION	Contacts	Solder cup ϕ	Crimp cup ϕ
104 A Z 086	16	0.79	0.60
104 A Z 092	19	0.79	0.60
*104 A 124	27	-	0.43

*Please contact us for additional information

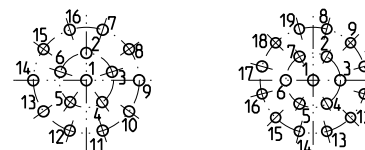
Keying codes (View from F)



Contact configuration for polarity A (View from B)



Contact configuration for polarity Z (View from B)



All dimensions in mm

600502

Rev.

1a

Pages

3/3

Notes:

- 1) All tolerances resulting from connector assembly are typically $\pm 0.3mm$
 - 2) For optimum crimping refer to available crimping manual.
- Part number example : WSO 104 A092-130+

fischer
CONNECTORS

www.fischerconnectors.com