

# Craftstone



**D**oonbeg Golf Club, a private member's club, lies on Ireland's glorious west coast. The Greg Norman designed links course has spectacular views and the accommodation is top class luxury.

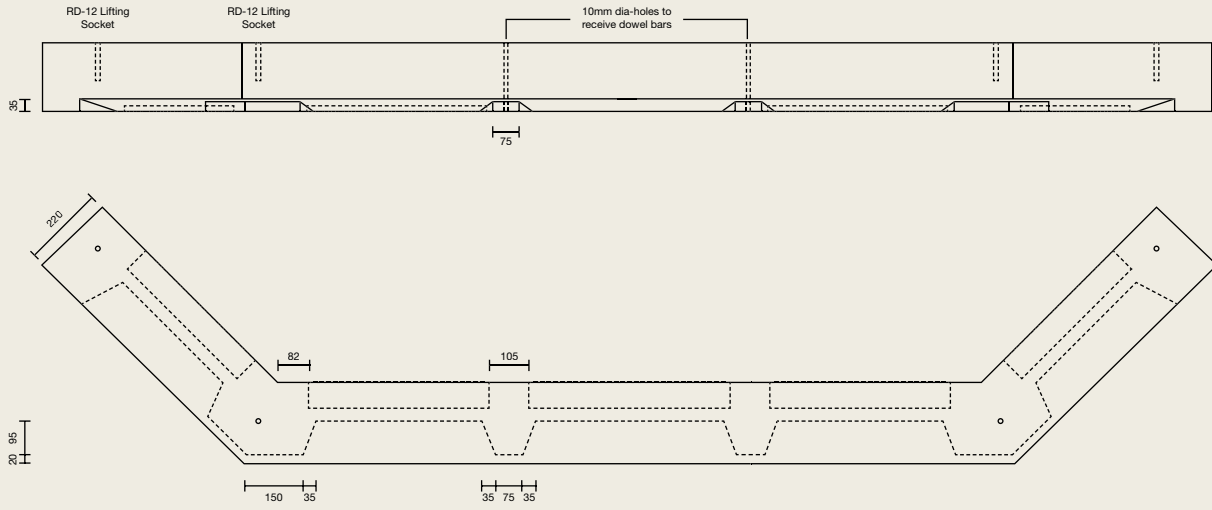
The developers chose a natural random stone cladding for the main building and wanted architectural precast dressings that would complement the colours in the natural stone. The main contractor, John Paul Construction Ltd, contacted Craftstone who made a selection of samples for the client who chose Buff wet cast. Craftstone worked closely with the contractors and the architects to ensure on time delivery to the required specification. Elements supplied include sills, lintels, jambs, transoms, large one-piece units for bay windows, cornices, copings, chimney caps, main entrance surrounds and corbels. Even the clock has a Craftstone surround.

The finished project is an outstanding development in a stunning location with finishes which beautifully complement each other and at the same time blend in with the surrounding countryside.

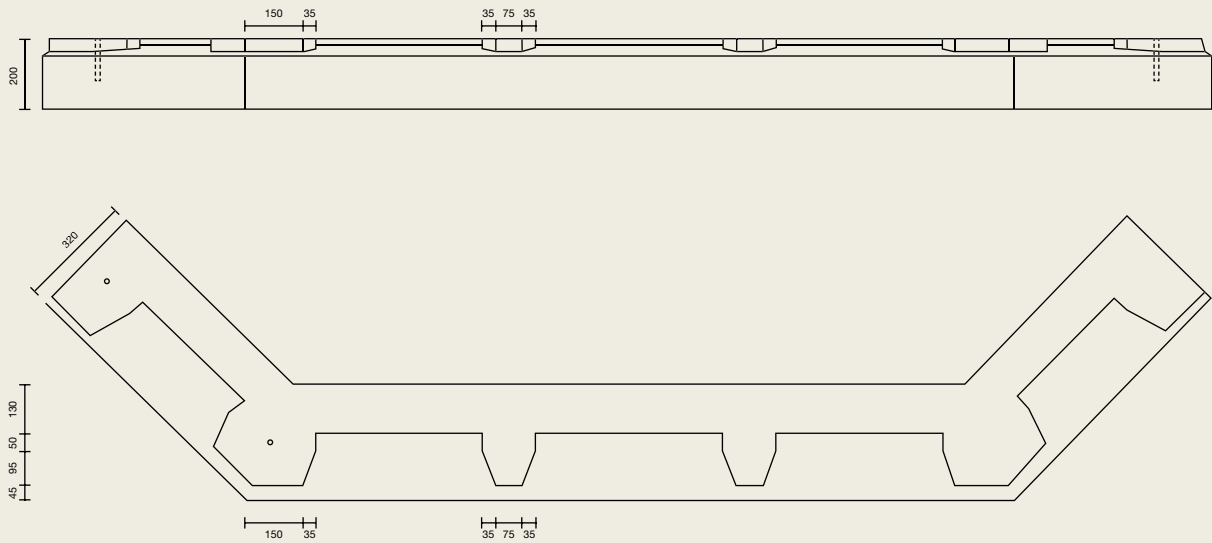
PROJECT	Doonbeg Golf Club
LOCATION	Doonbeg, County Clare
ARCHITECT	CCH Architects
CONTRACTOR	John Paul Construction / L&M Keating



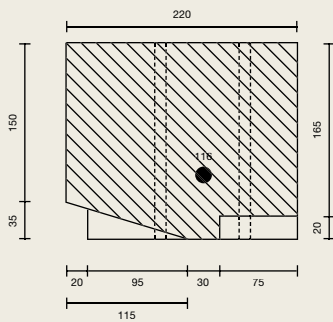
### Elevation and Plan of Stooled Lintel for Bay Window



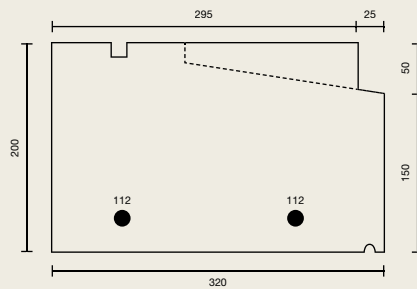
### Elevation and Plan of Stooled Sill for Bay Window



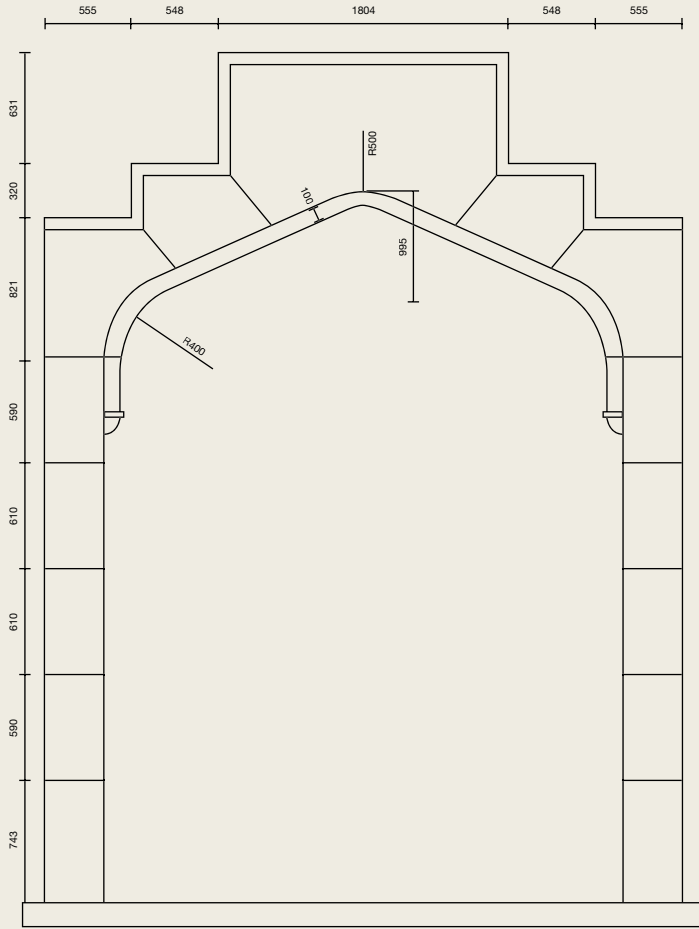
### Section of Stooled Lintel for Bay Window



### Section of Stooled Sill for Bay Window



Plan of Entrance Arch



Section and Plan of Chimney Capping

