

FORD FIESTA



Go Further



Visionary. Ingenious. Remarkable.
Every car bears his signature.

Henry Ford



Unlock extra content online. Use your smartphone or tablet to scan the QR codes in this brochure.





360°

Could this be the start of a long-lasting love affair?

With sparkling accents and high quality details, the Ford Fiesta is polished and poised. Look a little deeper and you discover every single component is engineered with one objective clearly in mind: quality that's built to last.





Use your voice like another pair of hands.

Ford SYNC with Voice Control and AppLink* lets you play music, make and receive hands-free calls and even control apps on your smartphone - all with simple voice commands. In the event of a collision the **Ford Emergency Assistance*** feature is designed to assist occupants to place an emergency call and provide the emergency services with vehicle location information in their own language.

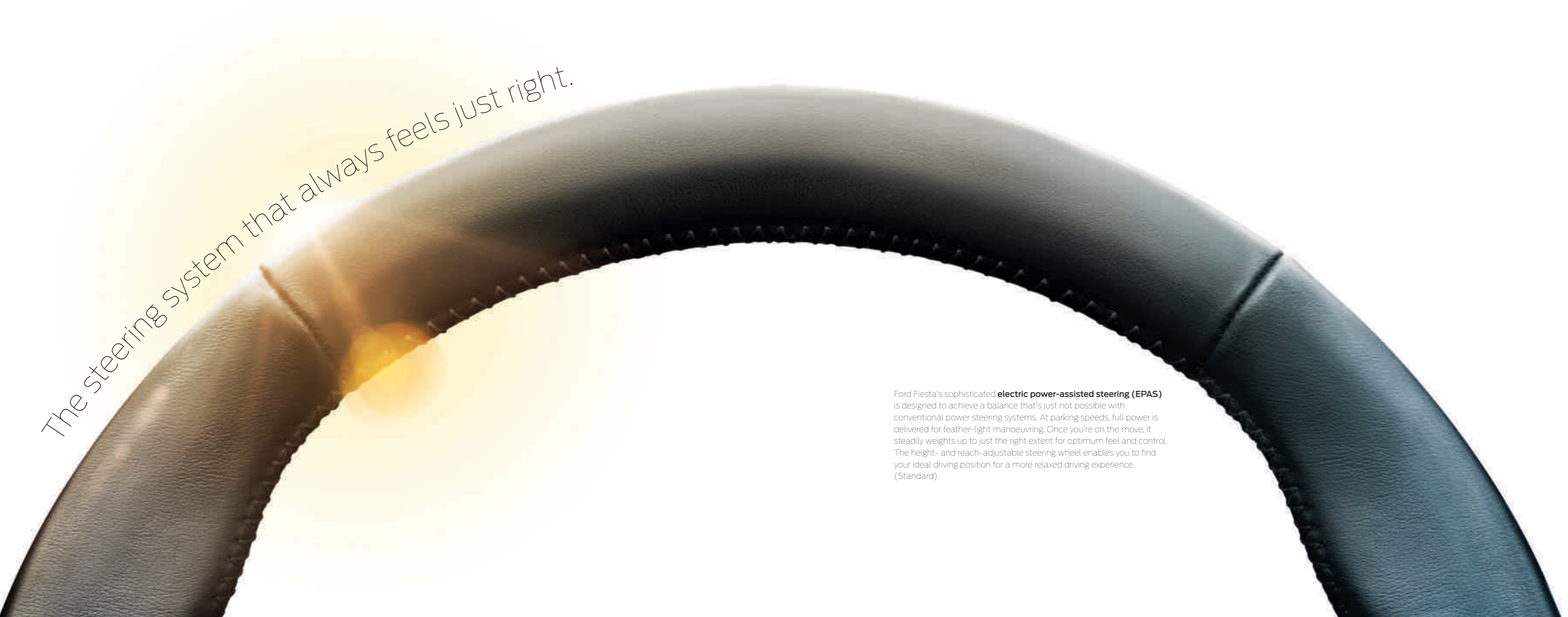


*Compatible mobile phone required. You can browse a list of AppLink-compatible apps from www.ford.co.uk, or via the **App Catalog** available in iOS and Android stores. Ford Emergency Assistance operates in over 30 European countries. This feature works when paired with a compatible mobile phone that is with you when an airbag is deployed (excludes knee airbag) or the fuel pump is shut off. SYNC and Emergency Assistance not supported by all European languages. See www.ford.co.uk for the latest information.

Indulge your love of style.

Enjoy high-quality partial or optional full leather seats, perfectly complemented by a leather-trimmed handbrake handle and gearshift knob in the Fiesta's beautifully crafted interior. A premium centre console with armrest, cup holder and chrome highlights – plus enhanced ambient lighting – completes your interior with finesse. (Standard on Titanium, Titanium X, ST-1, ST-2 & ST-3)





The steering system that always feels just right.

Ford Fiesta's sophisticated **electric power-assisted steering (EPAS)** is designed to achieve a balance that's just not possible with conventional power steering systems. At parking speeds, full power is delivered for feather-light manoeuvring. Once you're on the move, it steadily weights up to just the right extent for optimum feel and control. The height- and reach-adjustable steering wheel enables you to find your ideal driving position for a more relaxed driving experience. (Standard).



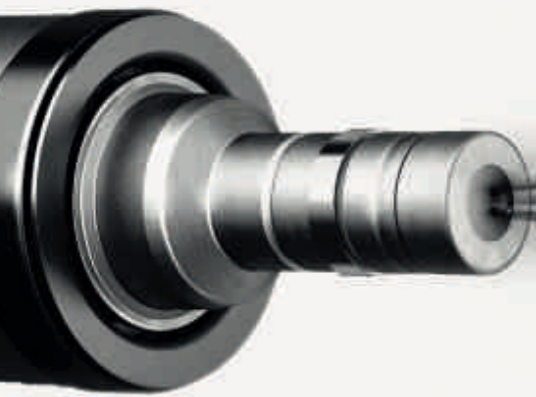
FIESTA

Enjoy the performance of a manual.



With the convenience of an automatic.

Ford PowerShift delivers the perfect combination between automatic convenience and manual efficiency. This 6-speed automatic transmission selects the next appropriate gear at precisely the right moment for smooth, lightning-fast gear changes, with no disruption to the flow of power. The manual mode lets you switch gears at the push of a button – no clutch pedal required.



Ford EcoBoost – International Engine of the Year 2014

With direct petrol injection, turbocharging and variable valve timing, Ford EcoBoost engines deliver power and torque consistent with larger displacement engines. The result is remarkable performance from such an economical engine. Overall winner at the International Engine of the Year Awards for three years running, the 1.0-litre EcoBoost is available in 100 PS, 125 PS and 140 PS versions.



Powered by **FORD EcoBoost**



Less fuel. More power.
Lower emissions.

With the help of **Ford ECONetic technology**, Fiesta's latest engines are remarkably fuel-efficient. The 1.0 EcoBoost 125 PS petrol engine produces 30 percent more maximum torque than the larger capacity 1.4 96 PS engine available in the prior model Fiesta and yet can achieve around 32 percent better fuel economy on the combined test cycle and has 24 percent lower CO₂ emissions. The 1.5 Duratorq TDCi 95 PS diesel engine with auto start/stop is even more frugal, with CO₂ emissions of just 82 g/km*. (Engine available across Style ECONetic, Zetec ECONetic & Titanium ECONetic)

82g/km CO₂

(*See fuel, performance & emissions on page 66)

The key that gives you peace of mind.

Ford MyKey® is an innovative programmable feature that encourages safer driving. MyKey® lets you tailor car settings to suit individual users. These settings include speed limit reminders and maximum audio volume. You can also prevent deactivation of driver assistance features where fitted. MyKey® settings are automatically activated each time MyKey® is used. (Standard on Style and above)





Halogen projector headlights with LED day running lights.

Fiesta's powerful light system includes LED daytime running lights beneath the halogen headlights. They offer increased visibility to other road users, are more energy efficient than standard bulbs and underline the stylish and dynamic design of the headlights. (Standard on Style and above)

See more in front and behind.

Fiesta's optional **built-in navigation system** eliminates the need for pre-route planning, by responding to real time road speed and traffic conditions to deliver more accurate estimated arrival times and trip information. Select reverse gear and the optional **rear-view camera** activates automatically in the central display, allowing you to see objects behind your car. (Rear-view camera is standard on Titanium X, optional on Titanium)



Improve your ST Cred.

Discover outstanding levels of power and exceptional motorsport-inspired driving dynamics with the Fiesta ST. Six-speed transmission and Torque Vectoring Control provide excellent grip and handling on even the harshest corners. While the sleek, eye-catching bodywork with unique front grille and rear spoiler expresses the vehicle's sporty and stylish attitude. For more information, see the ST range brochure.

182 PS. 240 Nm (290 Nm*^{*}).
0-62 mph 6.9 s.

ST



*With time-limited overboost.



Style

Key exterior features

- 15" steel wheels with 12-spoke wheel covers
- Halogen projector headlights with silver surround and LED daytime running lights
- Body colour electrically-operated and heated door mirrors with side indicators
- Body colour door handles
- Remote central locking
- Electrically-operated front windows
- Ford EasyFuel capless refuelling system
- Headlight courtesy delay

Key interior features

- Manual air conditioning
- Radio/CD with USB connectivity and six speakers
- Electrically-operated front windows with 'one shot' up and down and anti-trap technology on driver and passenger side
- Gearshift indicator light
- Driver's seat, 4-way manual adjustment (fore/aft, up/down)
- Hill Start Assist
- MyKey® technology
- Tyre Pressure Monitoring System (TPMS)

Bodystyles: 3- and 5-door

Engines:

Petrol: 1.2 Duratec (60/82 PS)
 Diesel: 1.5 Duratorq TDCi (75 PS), 1.5 TDCi ECONetic (95 PS)



MyKey® lets you tailor car settings to suit individual users. See page 22 for further details.



3-spoke steering wheel



Zetec

Key exterior features additional to Style

- 15" 5x2-spoke alloy wheels
- Front fog lights with chrome surround
- Quickclear heated windscreen
- Chrome finish on upper door line

Key interior features additional to Style

- Ford DAB Digital Radio with 4.2" TFT screen, Ford SYNC and Emergency Assistance
- 3-spoke leather-trimmed steering wheel
- Leather-trimmed handbrake handle
- Trip computer
- Ambient lighting
- Leather-trimmed gearshift knob
- Trip computer
- Ambient lighting
- Footwell illumination

Bodystyles: 3- and 5-door

Engines:

Petrol: 1.0 Petrol (80 PS), 1.0 EcoBoost (100 PS), 1.25 / 1.6 Duratec (82 PS/105 PS)
 Diesel: 1.5 Duratorq TDCi (75 PS), 1.5 TDCi ECONetic (95 PS)



Front fog lights with chrome surround



Chrome finish on upper door line



Zetec S

Key exterior features additional to Style

- 17" 8-spoke alloy wheels
- Full bodystyling kit
- Front fog lights with sports bezel
- Black upper and lower sports grille
- Large body colour rear spoiler
- Sports suspension
- Quickclear heated windscreen
- LED night signature to rear lights

Key interior features additional to Style

- Ford DAB Digital Radio with 4.2" TFT screen, Ford SYNC and Emergency Assistance
- Sports style front seats
- Sports pedals
- Perimeter alarm
- 3-spoke leather-trimmed steering wheel
- Leather-trimmed handbrake handle
- Centre console with armrest & illuminated cupholders
- Trip computer

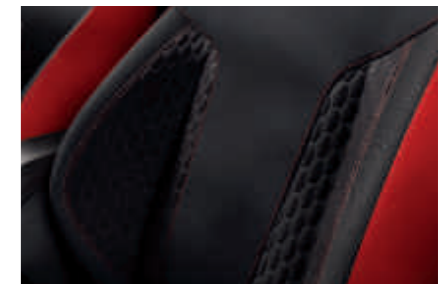
Bodystyle: 3-door

Engines:

Petrol: 1.0 EcoBoost (125 PS/140PS)
 Diesel: 1.5 Duratorq TDCi (95 PS)



Full bodystyling kit



Sports-style seats



Titanium

Key exterior features additional to Zetec

- 16" 10-spoke alloy wheels
- Power-foldable door mirrors with puddle lights
- Automatic headlights
- Rain sensing wipers
- Rear privacy glass
- LED night signature to rear lights

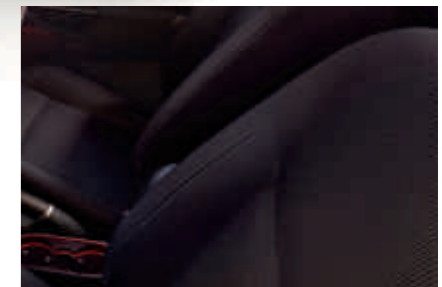
Key interior features additional to Zetec

- Sony DAB Digital Radio/CD with eight speakers
- Cruise control
- Electronic Automatic Temperature Control (EATC)
- Auto-dimming rear-view mirror
- Driver seat lumbar adjustment
- Centre console with armrest & illuminated cupholders
- Perimeter alarm
- Front and rear floor mats

Bodystyles: 3- and 5-door

Engines:

Petrol: 1.0 Petrol (80 PS), 1.0 EcoBoost (100/125 PS), 1.6 Duratec (105 PS)
 Diesel: 1.5 Duratorq TDCi (75 PS), 1.5 TDCi ECOnetic (95 PS)



Luxury seat fabric



16" 10-spoke alloy wheels



Titanium X

Key exterior features additional to Titanium

- 16" 12-spoke alloy wheels
- Rear parking distance sensors
- Rear-view camera

Key interior features additional to Titanium

- Partial leather seat trim
- Heated front seats
- Ford KeyFree system - Keyless entry with Ford Power Starter Button
- Electric rear windows (5 door only)
- Rear centre head restraint
- Front stainless steel threshold plates

Bodystyles: 3- and 5-door

Engines:

Petrol: 1.0 EcoBoost (100/125 PS)

Diesel: 1.5 TDCi Duratorq (95 PS)



Rear-view camera



Ford KeyFree System with Ford Power Starter Button

Find extra pleasure in the small details.

Cruise Control

With steering wheel-mounted controls for extra comfort and convenience (Standard on Titanium, Titanium X & ST-3)



Ford KeyFree System with Ford Power Starter Button

Start the car and lock or unlock the doors without ever holding the key. Just keep the key fob with you in your pocket or bag. (Standard on Titanium X, ST-3 and an option on Zetec S, Titanium & ST-2)

Electrically-operated and heated door mirrors with side indicators

(Standard)



Tyre Pressure Monitoring System

Designed to alert you if a tyre's pressure is too low, such as in the case of a puncture. (Standard)



Frozen White
Solid body colour*



Blazer Blue
Solid body colour



Magnetic
Metallic body colour*



Deep Impact Blue
Metallic body colour*



Race Red
Solid body colour



Moondust Silver
Metallic body colour*



Panther Black
Metallic body colour*



Candy Blue
Special body colour*



Candy Red
Special body colour*



Hot Mustard
Design body colour*



Copper Pulse
Design body colour*



More than just colour.

Ford Fiesta owes its beautiful and durable exterior to a special multi-stage painting process. From the wax-injected steel body sections to the water-based top coat, new materials and application processes ensure it's not only virtually solvent-free, but will retain its good looks for many years to come.

The Ford Fiesta is covered by the Ford Perforation Warranty for 12 years from the date of first registration. Subject to terms and conditions.

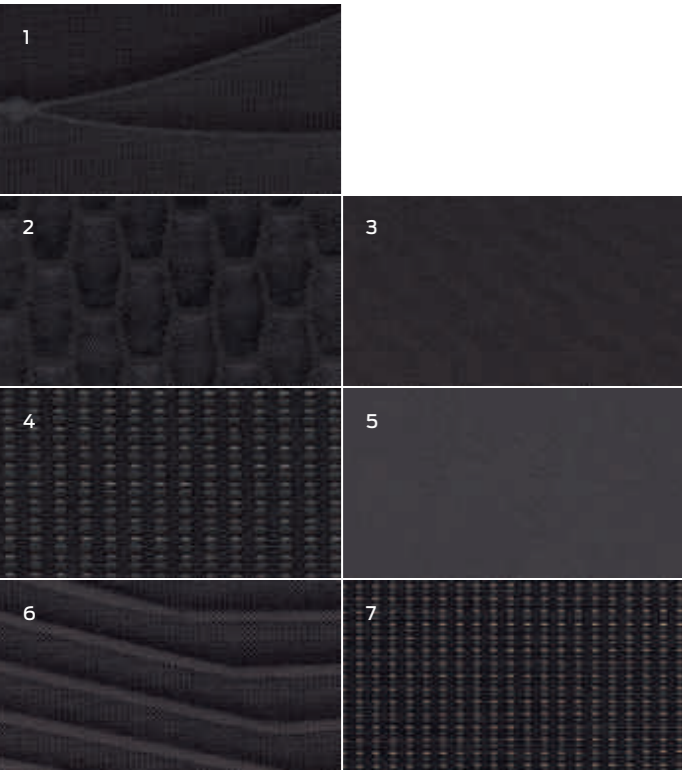
Note The car images used are to illustrate body colours only and may not reflect current specification or product availability in certain markets. Colours and trims reproduced within this brochure may vary from the actual colours, due to the limitations of printing processes used.

*At extra cost.

A feel for comfort.

**Right: Modena in Metallic Effect/Modena in Charcoal Black full leather seat trim
- Optional on Zetec S, Titanium & Titanium X**

1. Match Point in Charcoal Black for Style
2. Ultimate in Charcoal Black for Zetec S
3. Lux Soft in Charcoal Black for Zetec S
4. Partial Modena leather in Charcoal Black with Metal Grey stitching for Titanium X
5. Modena leather in Charcoal Black - Optional on Zetec S, Titanium & Titanium X
6. Lithos in Charcoal Black for Zetec
7. Smitty Tech in Ecru for Titanium





14" 5x2-spoke alloy wheel
(Standard on Zetec ECONetic and Titanium
ECONetic & available as an accessory)



15" 5x2-spoke alloy wheel
(Standard on Zetec & available as an
accessory)



16" 10-spoke alloy wheel
(Standard on Titanium & available as an
accessory)



16" 12-spoke alloy wheel
(Standard on Titanium X & available as an
accessory)

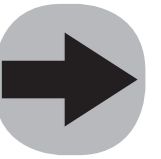


Softer ride

A smaller wheel and larger (high profile) tyre makes for a quieter, more comfortable drive.

Firmer ride

A larger wheel with a smaller (low profile) tyre offers a sportier performance with enhanced handling and braking.



Wheels	Studio	Style	Zetec	Zetec S	Titanium	Titanium X	ST-1	ST-2	ST-3
Steel – 14"x5.5", 6-spoke wheel covers. (Fitted with 175/65 tyres)*	●	-	-	-	-	-	-	-	-
Steel – 14"x5.5", 12-spoke wheel covers. (Fitted with 175/65 tyres)* (Standard on Style with 1.5 Duratorq TDCi ECONetic with Auto-Start-Stop)	-	/E	-	-	-	-	-	-	-
Steel – 15"x6", 12-spoke wheel covers. (Fitted with 195/55 tyres)* (Not available with 1.5 Duratorq TDCi ECONetic with Auto-Start-Stop)	-	●	-	-	-	-	-	-	-
Alloy – 14"x5.5", 5x2-spoke. (Fitted with 175/65 tyres)* (Standard on Zetec and Titanium with 1.5 Duratorq TDCi ECONetic with Auto-Start-Stop)	-	-	/E	-	/E	-	-	-	-
Alloy – 15"x6", 5x2-spoke. (Fitted with 195/55 tyres)* (Not available with 1.5 Duratorq TDCi ECONetic with Auto-Start-Stop)	-	-	●	-	-	-	-	-	-
Alloy – 16"x6.5", 15-spoke. (Fitted with 195/50 tyres)* (Not available with 1.5 Duratorq TDCi ECONetic with Auto-Start-Stop)	-	-	○	-	-	-	-	-	-
Alloy – 16"x6.5", 10-spoke. (Fitted with 195/50 tyres)* (Not available with 1.5 Duratorq TDCi ECONetic with Auto-Start-Stop)	-	-	-	-	●	-	-	-	-
Alloy – 16"x6.5", 12-spoke. (Fitted with 195/50 tyres)*	-	-	-	-	-	●	-	-	-
Alloy – 17"x7", 8-spoke. (Fitted with 205/40 tyres)* (Not available with Powershift Transmission & 1.5 Duratorq TDCi ECONetic with Auto-Start-Stop)	-	-	-	●	○	○	-	-	-
Alloy – 17"x7 5-spoke. (Fitted with 205/40 tyres)*	-	-	-	-	-	-	●	●	●
Alloy – 17"x7 5-spoke metallic grey (Available as part of ST Style Pack) (Fitted with 205/40 tyres)*	-	-	-	-	-	-	□	□	□
Tyre mobility kit (Not available with spare wheel)	●	●	●	●	●	●	●	●	●
Spare – 14"x5.5" steel (not available with detachable tow bar) (Standard with 1.5 Duratorq TDCi ECONetic with Auto-Start-Stop)	○	○/E	○/E	○	○/E	○	-	-	-
ST Spare Wheel – 15" x 4"	-	-	-	-	-	-	○	○	○
Locking wheel nuts (only with alloy wheels)	-	-	●	●	●	●	●	●	●

● = Standard, ○ = Option, at extra cost, □ = Part of an option pack, at extra cost, /* = Front parking distance sensors are not available in conjunction with City Pack or Full Bodystyling Kit, /E = Standard with ECONetic models
*The wheel you choose will be fitted with the tyre size noted, but no choice of tyre brand is available.



Quickclear heated windscreen

Halogen projector lights with LED daytime running lights

Chrome front grille surround

Front fog lights with chrome surround

Exterior features

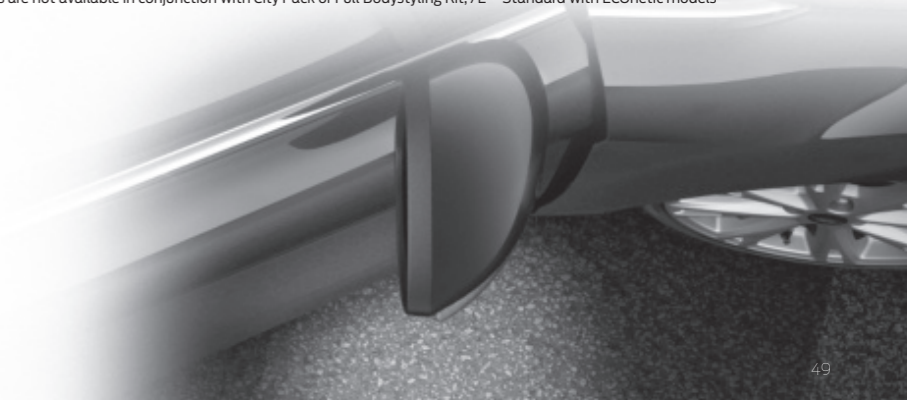
Exterior Design features

	Studio	Style	Zetec	Zetec S	Titanium	Titanium X	ST-1	ST-2	ST-3
Door mirrors – Electrically-operated and heated, integrated side indicators, black housings	●	-	-	-	-	-	-	-	-
Door mirrors – Electrically-operated and heated, integrated side indicators, body colour housings	-	●	●	●	-	-	●	●	-
Door mirrors – Electrically-operated and heated, power-foldable, integrated side indicators, body colour housings with puddle lights (see Option Packs)	-	□	□	□	●	●	-	□	●
Bumpers – Front and rear, body colour	●	●	●	●	●	●	●	●	●
Rear spoiler – Body colour	●	●	●	-	●	●	-	-	-
Full Bodystyling Kit with large rear spoiler (3 door or 5 door, not available with 1.5 Duratorq TDCI ECONetic with Auto-Start-Stop)	-	-	○/*	●	○/*	○/*	-	-	-
ST Full Bodystyling Kit with large rear spoiler	-	-	-	-	-	-	●	●	●
Front upper grille – Chrome finish surround	●	●	●	-	●	●	-	-	-
Front upper grille insert – Chrome bars	●	●	●	-	●	●	-	-	-
Front upper grille insert – Black mesh	-	-	-	●	-	-	-	-	-
ST Front upper grille insert – High Gloss Black Mesh	-	-	-	-	-	-	●	●	●
Front lower grille insert – Black	●	●	●	-	●	●	-	-	-
Front lower grille insert – Black mesh	-	-	-	●	-	-	-	-	-
ST Front lower grille – Black	-	-	-	-	-	-	●	●	●
Front fog lights – Black bezel rings	-	-	-	●	-	-	●	●	●
Front fog lights – Chrome finish bezel rings	-	-	●	-	●	●	-	-	-
Rear lights - LED night signature (vertical 4-bar design)	-	-	-	●	●	●	●	●	●
Tinted glass	●	●	●	●	-	-	●	-	-
Rear privacy glass	-	○	○	○	●	●	○	●	●
Door handles – Black colour	●	-	-	-	-	-	-	-	-
Door handles – Body colour	-	●	●	●	●	●	●	●	●
Tailgate handle – Body colour	●	●	●	●	-	-	●	●	●
Tailgate handle – Body colour with chrome finisher	-	-	-	-	●	●	-	-	-
Chrome finish on upper door line	-	-	●	-	●	●	-	-	-
Chrome tipped dual exhaust pipe	-	-	-	-	-	-	●	●	●

● = Standard, ○ = Option, at extra cost, □ = Part of an option pack, at extra cost, /* = Front parking distance sensors are not available in conjunction with City Pack or Full Bodystyling Kit, /E = Standard with ECONetic models

Puddle Lights

Illuminate the ground by your vehicle when you unlock your car door to highlight any puddles that you may inadvertently step into. (Standard on Titanium, Titanium X & ST-3).



Exterior features

	Studio	Style	Zetec	Zetec S	Titanium	Titanium X	ST-1	ST-2	ST-3
Exterior convenience features									
Ford Easy-Fuel capless refuelling system with misfuel inhibit	●	●	●	●	●	●	●	●	●
Front parking distance sensors			□		□	○/*			
Rear parking distance sensors	-	□	□	□	□	●	-	○	○
Headlights – Automatic headlights (includes autowipers & auto-dimming rear-view mirror)	-	-	-	○	●	●	-	○	●
Headlights – Twin chamber halogen reflector with Black bezel and daytime running lights	●	-	-	-	-	-	-	-	-
Headlights – Halogen projector with Silver bezel and LED daytime running lights	-	●	●	●	●	●	●	●	●
Headlights – Courtesy delay	●	●	●	●	●	●	●	●	●
Tailgate wash/wipe	●	●	●	●	●	●	●	●	●
Wipers – Front, variable intermittent	●	●	●	●	-	-	●	●	-
Wipers – Front, automatic with rain sensor (includes automatic headlights and auto-dimming rear-view mirror)	-	-	-	○	●	●	-	○	●
Quickclear heated windscreen	-	○	●	●	●	●	●	●	●
High-mounted rear brake light	●	●	●	●	●	●	●	●	●

Option packs

	Studio	Style	Zetec	Zetec S	Titanium	Titanium X	ST-1	ST-2	ST-3
Option packs									
City Pack – Rear parking distance sensors and electric/heated power-foldable door mirrors with puddle lights	-	○	○	○	○	●	-	-	-
Front and Rear Parking Pack – Front and rear parking distance sensor and electric/heated power-foldable door mirrors with puddle lights	-	-	○/*	-	○/*	-	-	-	-
Convenience Pack - Keyless Entry, Ford Power Starter Button and power-foldable door mirrors with puddle lights	-	-	-	○	○	●	-	-	-
ST Convenience Pack – Keyless Entry and power-foldable mirrors with puddle lights	-	-	-	-	-	-	-	○	●
ST Style Pack – 17" metallic grey alloy wheels, illuminated scuff plates and red brake callipers	-	-	-	-	-	-	○	○	○

● = Standard, ○ = Option, at extra cost, □ = Part of an option pack, at extra cost, /* = Front parking distance sensors are not available in conjunction with City Pack or Full Bodystyling Kit, /E = Standard with ECOnetic models

Clever features that save time and hassle

Capless refuelling with Ford Easy Fuel

No dirty fuel caps to touch. Plus Ford Easy Fuel with its unique safeguard ensures nobody accidentally fills up with the wrong fuel. (Standard)

Interior features

	Studio	Style	Zetec	Zetec S	Titanium	Titanium X	ST-1	ST-2	ST-3
Interior Design Features									
Door lever – Chrome finish	-	●	●	●	●	●	●	●	●
Floor mats – Front and rear, velour	-	-	-	-	●	●	-	-	-
Floor mats – Front and rear, carpet with double stitching	-	-	-	-	-	-	●	●	●
Gearshift knob – Leather-trimmed	-	-	●	●	●	●	-	-	-
Gearshift knob – Unique ST design, leather-trimmed	-	-	-	-	-	-	●	●	●
Headliner – Moulded	●	●	-	-	-	-	-	-	-
Headliner – Woven	-	-	●	●	●	●	-	-	-
Headliner – Woven (Dark)	-	-	-	-	-	-	●	●	●
Leather-trimmed handbrake	-	-	●	●	●	●	●	●	●
Sports pedals	-	-	-	●	-	-	●	●	●
Threshold plates – Front, stainless steel	-	-	-	-	-	●	-	-	-
Threshold plates – Front, stainless steel with ST logo	-	-	-	-	-	-	●	●	●
Steering wheel – 3-spoke	●	●	-	-	-	-	-	-	-
Steering wheel – 3-spoke, leather-trimmed	-	-	●	●	●	●	-	-	-
Steering wheel – 3-spoke, leather-trimmed with ST logo	-	-	-	-	-	-	●	●	●

● = Standard, ○ = Option, at extra cost, □ = Part of an option pack, at extra cost, /E = Standard with ECOnetic Engines

Choices that make a statement



Full Bodystyling Kit

Make a statement with this styling kit, perfectly designed to complement your Ford Fiesta and make it stand out from the crowd. (Option on Zetec, Titanium & Titanium X) (Standard on Zetec S). Components also available separately as accessories. Kit includes:

- Front, rear and side skirts in body colour
- Rear spoiler in body colour
- Black rear bumper diffuser



Interior features

	Studio	Style	Zetec	Zetec S	Titanium	Titanium X	ST-1	ST-2	ST-3
Audio and communication systems									
Radio/CD with multi-functional 2-line display, six speakers (four front and two rear), MP3-compatible, remote audio controls, USB connectivity for external music devices	●	●	-	-	-	-	-	-	-
Radio/CD with multi-functional matrix display, six speakers (four front and two rear), MP3-compatible, remote audio controls, diversity antenna, Ford SYNC – Includes Emergency Assistance*, Bluetooth® hands-free phone and Voice Control, USB connectivity for external music devices	-	○	-	-	-	-	-	-	-
Radio/CD with DAB, 4.2" TFT display, six speakers (four front and two rear), MP3-compatible, remote audio controls, diversity antenna, Ford SYNC – Includes Emergency Assistance*, Bluetooth® hands-free phone and Voice Control, USB connectivity for external music devices	-	○	●	●	-	-	●	-	-
Radio/CD/SD-navigation system with DAB, 5" TFT display, MP3-compatible, six speakers (four front and two rear), remote audio controls, diversity antenna, Ford SYNC – Includes Emergency Assistance*, Bluetooth® hands-free phone and Voice Control, USB connectivity for external music devices	-	○	○	○	-	-	○	-	-
Sony radio/CD with DAB, 4.2" TFT display, MP3-compatible, eight speakers (four front and four rear), remote audio controls, diversity antenna, Ford SYNC – Includes Emergency Assistance*, Bluetooth® hands-free phone and Voice Control, USB connectivity for external music devices	-	-	-	-	●	●	-	●	-
Sony radio/CD/SD-navigation system with DAB, 5" TFT display MP3-compatible, eight speakers (four front and four rear), remote audio controls, diversity antenna, Ford SYNC – Includes Emergency Assistance*, Bluetooth® hands-free phone and Voice Control, USB connectivity for external music devices	-	-	-	-	○	○	-	○	●

● = Standard, ○ = Option, at extra cost, □ = Part of an option pack, at extra cost, /E = Standard with EOnetic Engines
 The Bluetooth® word mark and logos are owned by the Bluetooth SIG, Inc. and any use of such marks by Ford Motor Company and its associated companies is under licence. Other trademarks and trade names are those of their respective owners.
 *Ford Emergency Assistance operates in over 30 European countries. This feature works when paired with a compatible connected mobile phone that is with you when an airbag is deployed (excludes knee airbag) or the fuel pump is shut off.
 Ford SYNC and Emergency Assistance not supported by all European languages. See www.ford.co.uk for latest information.

Stainless steel threshold plates

Elegant front door stainless steel threshold plates add a premium feel as well as protecting your paintwork. (Standard on Titanium X and available as an accessory)

Connect with your world

A choice of superb audio, navigation and entertainment systems, with built-in connectivity for your gadgets, lets you fill your Fiesta with your favourite music and connect to the outside world.



Remote audio controls

Your hands on the wheel and your MP3 on the right track. (Remote audio controls shown on left are standard)

Shown right: Sony DAB digital radio/CD with 4.2" TFT colour multi-functional display

DAB technology, MP3-compatible CD player with eight speakers (four front and four rear coaxial), remote audio controls, USB connectivity for external music devices and Ford SYNC including Ford Emergency Assistance, featuring hands-free Bluetooth®-enabled Voice Control System and audio streaming. (Standard on Titanium, Titanium X, ST-2 & ST-3)

Rear-view camera is a separate option that can be ordered in combination with Sony audio and navigation systems. (Standard on Titanium X and optional on Titanium)

USB connection

Built-in connectivity lets you listen to, and operate, your digital music player via the car's Ford audio system.

Note The Bluetooth® word mark and logos are owned by the Bluetooth SIG, Inc. and any use of such marks by Ford Motor Company Limited and its associated companies is under licence. Other trademarks and trade names are those of their respective owners.





Interior features

	Studio	Style	Zetec	Zetec S	Titanium	Titanium X	ST-1	ST-2	ST-3
Climate control									
Air conditioning – Manual control	-	●	●	●	-	-	●	●	-
Air conditioning – Electronic Automatic Temperature Control (EATC)	-	-	-	○	●	●	-	○	●
Pollen filter	●	●	●	●	●	●	●	●	●
Interior Comfort and Convenience									
Accessory power point (12 V) – Front	●	●	●	●	●	●	●	●	●
Centre console – With trinket tray, two cup holders	●	●	●	-	-	-	-	-	-
Centre console – With trinket tray, two cupholders with chrome accent ring, front centre armrest	-	-	-	●	●	●	●	●	●
Ambient Lighting	-	-	●	-	●	●	●	●	●
Footwell lights – Driver and passenger	-	-	●	●	●	●	●	●	●
Courtesy light – Overhead with theatre-style dimming	●	●	●	●	●	●	●	●	●
Courtesy light – Front with front map-reading lights	-	-	●	●	●	●	●	●	●
Courtesy light – Rear	●	●	●	●	●	●	●	●	●
Glovebox – With illumination	●	●	●	●	●	●	●	●	●
Cruise control	-	-	-	○	●	●	-	○	●
MyKey® – See Page 22	-	●	●	●	●	●	●	●	●
Rear-view camera (requires Sony radio/CD or navigation)	-	-	-	-	○	●	-	-	-
Rear-view mirror – Auto-dimming (only available with automatic rain-sensing wipers)	-	-	-	□	●	●	-	□	●
Trip computer	-	○/E	●	●	●	●	●	●	●
Windows – Electrically-operated front with one-touch lowering/closing on driver's and passenger's side	●	●	●	●	●	●	●	●	●
Windows – Electrically-operated front and rear, global opening/closing (5-door only)	-	-	○	-	○	●	-	-	-

● = Standard, ○ = Option, at extra cost, □ = Part of an option pack, at extra cost, /E = Standard with EConetic Engines



Smart technology

Fiesta has a range of intelligent features designed to make life a little easier and offer peace of mind.

1 Active City Stop®

Designed to help reduce the likelihood or consequences of your car colliding with the vehicle in front in slow-moving traffic by applying the brakes if it is detected that a collision is likely. (Option) (Only available with 1.0 Petrol or Diesel Engines)

2 Parking distance sensors

Audible warnings help you park in tight spaces. Available for front and rear, or just rear. (See page 50 for details on availability)

3 Ford SYNC with Emergency Assistance*

The next generation of in-car connectivity. Ford SYNC lets you operate most popular MP3 players, Bluetooth®-enabled phones and USB drives with remarkably simple voice commands. Plus the Ford Emergency Assistance feature is designed to assist occupants to place an emergency call in the event of an accident – wherever you are in Europe.* (Standard on Zetec & above)

4 Integrated navigation and rear-view camera

Fiesta's optional built-in navigation system eliminates the need for pre-route planning. Select reverse gear and the optional rear-view camera comes on automatically in the Sony or navigation display, allowing you to see objects behind your car. (Rear-view camera is standard only on Titanium X, option on Titanium)

*Uses sensors. Designed to operate at speeds below 19mph.

*Ford Emergency Assistance operates in over 30 European countries. This feature works when paired with a compatible mobile phone that is with you when any airbag is deployed (excludes knee airbag) or the fuel pump is shut off. SYNC and Emergency Assistance not supported by all European languages. See www.ford.co.uk for the latest information.

Note The Bluetooth® word mark and logos are owned by the Bluetooth SIG, Inc. and any use of such marks by Ford Motor Company Limited and its associated companies is under licence. Other trademarks and trade names are those of their respective owners.

Note It is an offence for drivers to use a hand-held mobile phone or similar device while driving.

Interior features

	Studio	Style	Zetec	Zetec S	Titanium	Titanium X	ST-1	ST-2	ST-3
Loadspace									
Loadspace floor carpet	●	●	●	●	●	●	●	●	●
Loadspace compartment light	●	●	●	●	●	●	●	●	●
First aid kit strap and warning triangle storage	●	●	●	●	●	●	●	●	●
Removable package tray	●	●	●	●	●	●	●	●	●
Adjustable load floor in luggage compartment (eliminates first aid kit strap and warning triangle storage)	-	○	○	○	○	○	○	○	○

● = Standard, ○ = Option, at extra cost, □ = Part of an option pack, at extra cost, /E = Standard with ECOnetic Engines

An interior space built for comfort and flexibility



Adjustable load floor

The adjustable rear load floor can be fitted in two positions, either low on the boot floor to create a deeper boot space, or higher up to create a flatter load space with the rear seats lowered. It can also be removed completely. (Option)

De-ice or defrost in seconds

Quickclear heated windscreen

Clears snow and ice, even on the coldest mornings.



Intelligent Protection System[®]

Ford's advanced IPS uses a range of sophisticated technologies designed to keep you protected, including ultra-high strength steel safety cage, Electronic Stability Programme with anti-lock braking system and Emergency Brake Assist and a total of seven airbags including front, side, knee and curtain protection.

The Ford Fiesta IPS includes:

1. Driver's and front passenger's airbags and driver's knee airbag
2. Driver's and front passenger's side impact airbags
3. Side curtain airbags for front and rear seats
4. Collapsible steering column and pedals for optimised protection of driver's legs and feet
5. Electronic Stability Program with anti-lock brakes, electronic brake-force distribution and Emergency Brake Assist
6. Robust computer-optimised body structure with ultra-rigid safety cell and crumple zones
7. Pre-tensioners, load-limiting retractors and height-adjustable mounts* on front seat belts
8. Anti-submarining seat bases



Note: A rear-facing child seat should never be placed in the front passenger seat when the Ford vehicle is equipped with an operational front passenger's airbag. The safest place for children is properly restrained on the rear seat.

*Height-adjustable mounts available on 5-door models only.

[®]Uses sensors.

Safety and security equipment

	Studio	Style	Zetec	Zetec S	Titanium	Titanium X	ST	ST2	ST3
Safety and Driver Assistance									
Front disc and rear drum brakes	●	●	●	●	●	●	-	-	-
Front disc and rear disc brakes	-	-	-	-	-	-	●	●	●
Intelligent Protection System (IPS) ¹⁾	●	●	●	●	●	●	●	●	●
Anti-lock braking system ¹⁾ with electronic brake-force distribution (EBD) ¹⁾ and Emergency Brake Assist (EBA) ¹⁾	●	●	●	●	●	●	●	●	●
Electronic Stability Programme (ESP) ¹⁾	●	●	●	●	●	●	●	●	●
Hill Start Assist ²⁾	●	●	●	●	●	●	●	●	●
Emergency Brake Warning ²⁾ – Automatic flashing of hazard warning lights under heavy braking	●	●	●	●	●	●	●	●	●
Airbags – Driver's and front passenger's ³⁾	●	●	●	●	●	●	●	●	●
Airbags – Front passenger's airbag de-activation switch ⁴⁾ and Passenger Airbag Deactivation Indicator ⁴⁾	●	●	●	●	●	●	●	●	●
Airbags – Front side ⁵⁾	●	●	●	●	●	●	●	●	●
Airbags – Curtain ⁶⁾	●	●	●	●	●	●	●	●	●
Airbags – Driver side knee airbag ⁷⁾	●	●	●	●	●	●	●	●	●
Active City Stop ⁸⁾ (only available with 1.0 petrol and all diesel engines)	-	-	○	○	○	○	-	-	-
Security									
Engine Immobiliser – Passive Anti-Theft System (PATS)	●	●	●	●	●	●	●	●	●
Central locking	●	-	-	-	-	-	-	-	-
Remote central locking with two flip keys	-	●	●	●	●	-	●	-	-
Remote central locking with two key fobs	-	-	-	-	-	●	-	●	●
Double locking	-	●	●	●	●	●	●	●	●
Ford Power Starter Button	-	-	-	□	□	●	-	●	●
Ford KeyFree System - Keyless entry	-	-	-	□	□	●	-	□	●
Perimeter alarm	-	○	○	●	●	●	-	-	-
Thatcham Category 1 alarm	-	-	-	-	-	-	●	●	●

● = Standard, ○ = Option, at extra cost, □ = Part of an option pack, at extra cost. ¹⁾Safety feature, ²⁾Driver assistance

***Note: A child seat should never be placed in the front passenger seat when the Ford vehicle is equipped with an operational front passenger's airbag. The safest place for children is properly restrained on the rear seat.**

Hill Start Assist

Designed to prevent you from rolling down a slope when you move your foot from the brake pedal to the accelerator pedal. It works in forward and reverse gears. (Standard)

Mechanical features

	Studio	Style	Zetec	Zetec S	Titanium	Titanium X	ST-1	ST-2	ST-3
Steering									
Electric power-assisted steering (EPAS)	●	●	●	●	●	●	●	●	●
Steering wheel column – Rake- and reach-adjustable	●	●	●	●	●	●	●	●	●
Suspension									
Suspension – Standard tune	●	●/1	●/1	-	●/1	●	-	-	-
Suspension – Sports suspension	-	-	-	●	-	-	-	-	-
Suspension – ST Suspension (Lowered ride height)	-	-	-	-	-	-	●	●	●
Suspension – Lowered (standard only with 1.5 TDCi ECOnetic with Auto-Start-Stop)	-	/E	/E	-	/E	-	-	-	-
Suspension – Front stabiliser bar	●	●	●	●	●	●	●	●	●
Technology									
Ford Eco Mode (driver information system) – Only in combination with audio system and trip computer	-	○/E	●	●	●	●	-	-	-
Shift gear indicator – Not available with 1.6 105PS with PowerShift transmission	●	●	●	●	●	●	●	●	●
EcoSelect button - Only in combination with 1.0 EcoBoost 125PS	-	-	-	●	●	●	-	-	-

● = Standard, ○ = Option, at extra cost. ●/1 Not available with ECOnetic Powertrain, /E Standard with ECOnetic Powertrain

Sports suspension

(Standard on Zetec S)

Ford EcoSelect

Available on 1.0 EcoBoost 125PS engines, amends engine calibration (reduced peak power and torque) to optimise fuel economy at the push of a button. For maximum torque and throttle response, simply switch back to standard mode.

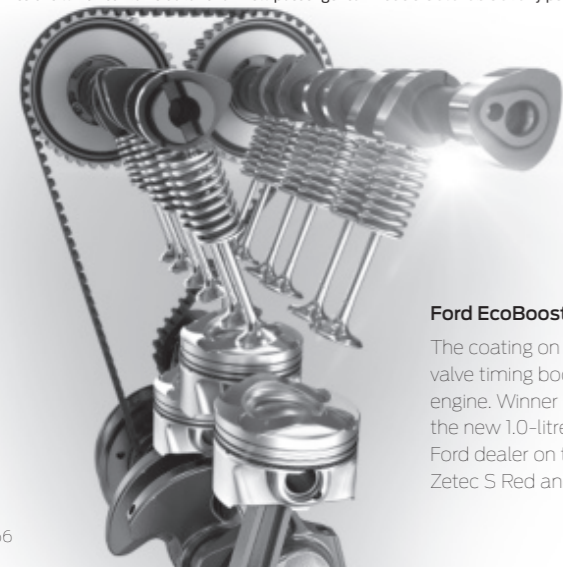


Fuel, performance and emissions

The fuel economy figures quoted in the table below are achieved by following strict EU governed test procedures and are specifically designed to enable customers to compare vehicles from all manufacturers on a like-for-like basis. Fuel consumption is directly affected by the length of the journey; number of passengers and amount of luggage carried; individual driving style; road and traffic conditions; weather conditions; vehicle age, mileage, condition and standard of maintenance; use of vehicle features such as air conditioning; and any modifications to the vehicle such as the addition of a roof rack. Your fuel economy will vary based on these and other factors and, for these reasons, many drivers may not achieve the EU fuel economy figures (below) in day-to-day driving, although the vehicle is technically capable of doing so.

	Euro Stage	Transmission	Maximum Power PS (kW)	Torque Nm (Nm with overboost)	CO ₂ emissions (g/km) ⁹⁰	Fuel consumption L/km (MPG) ⁸⁰			Performance ⁸		
						Urban	Extra Urban	Combined	Max speed (mph)	0-62 mp/h (secs)	31-62 mp/h* (secs)
1.0 (80 PS) with Auto-Start-Stop	Euro Stage VI	M5	80 (59)	105	99	5.1 (55.4)	3.8 (74.3)	4.3 (65.7)	103	14.9	17.9
1.0 EcoBoost (100 PS) with Auto-Start-Stop	Euro Stage VI	M5	100 (74)	170	99	5.4 (52.3)	3.7 (76.4)	4.3 (65.7)	112	11.2	14.7
1.0 EcoBoost (100 PS) PowerShift	Euro Stage VI	A6	100 (74)	170	114	6.6 (42.8)	3.9 (72.4)	4.9 (57.7)	112	10.8	N/A
1.0 EcoBoost (125 PS) with Auto-Start-Stop	Euro Stage VI	M5	125 (92)	170 (200)	99	5.4 (52.3)	3.7 (76.4)	4.3 (65.7)	122	9.4	12.2
1.0 EcoBoost (140 PS) with Auto-Start-Stop	Euro Stage VI	M5	140 (103)	180 (210)	104	5.6 (50.4)	3.9 (72.4)	4.5 (62.8)	125	9.0	8.6
1.25 Duratec (60 PS)	Euro Stage VI	M5	60 (44)	109	122	6.8 (41.5)	4.3 (65.7)	5.2 (54.3)	94	16.9	17.9
1.25 Duratec (82 PS)	Euro Stage VI	M5	82 (60)	114	122	6.8 (41.5)	4.3 (65.7)	5.2 (54.3)	104	13.3	17.6
1.6 Duratec Ti-VCT (105PS) PowerShift	Euro Stage VI	A6	105 (77)	150	138	8.4 (33.6)	4.5 (62.8)	5.9 (47.9)	114	10.5	N/A
1.6 EcoBoost (182 PS)	Euro Stage VI	M6	182 (134)	240 (290)	138	7.9 (35.8)	4.8 (58.9)	5.9 (47.9)	139	6.9	6.4
1.5 Duratorq TDCi (75 PS)	Euro Stage VI	M5	75 (55)	190	94	4.3 (65.7)	3.2 (88.3)	3.6 (78.5)	104	13.5	13.3
1.5 Duratorq TDCi (95 PS)	Euro Stage VI	M5	95 (70)	215	94	4.3 (65.7)	3.2 (88.3)	3.6 (78.5)	112	10.9	11.3
1.5 Duratorq TDCi ECOnetic with Auto-Start-Stop (95 PS)	Euro Stage VI	M5	95 (70)	215	82	3.4 (83.1)	3.0 (94.2)	3.2 (88.3)	111	11.9	12.7

*In 4th gear. ⁸⁰The declared fuel consumptions and CO₂ emissions are measured according to the technical requirements and specifications of the European Regulations (EC) 715/2007 and (EC) 692/2008 as last amended. Fuel consumption and CO₂ emissions are specified for a vehicle variant and not for a single car. The applied standard test procedure enables comparison between different vehicle types and different manufacturers. In addition to the fuel efficiency of a car, driving behaviour as well as other non-technical factors are very important in determining a car's fuel consumption and CO₂ emissions. CO₂ is the main greenhouse gas responsible for global warming. A guide on fuel economy and CO₂ emissions which contains data for all new passenger car models is available at any point of sale free of charge or can be downloaded under <http://carfueldata.dft.gov.uk/>.



Ford EcoBoost engines

The coating on the piston rings reduces friction; the turbocharger, direct injection and variable valve timing boost efficiency. The result is remarkable performance from such an economical engine. Winner at the International Engine of the Year Awards 2014 for the third time in a row, the new 1.0-litre EcoBoost is available in 100 PS, 125 PS and 140PS. Please consult your local Ford dealer on these latest additions to the Fiesta range, or visit www.ford.co.uk to download a Zetec S Red and Black Editions brochure.

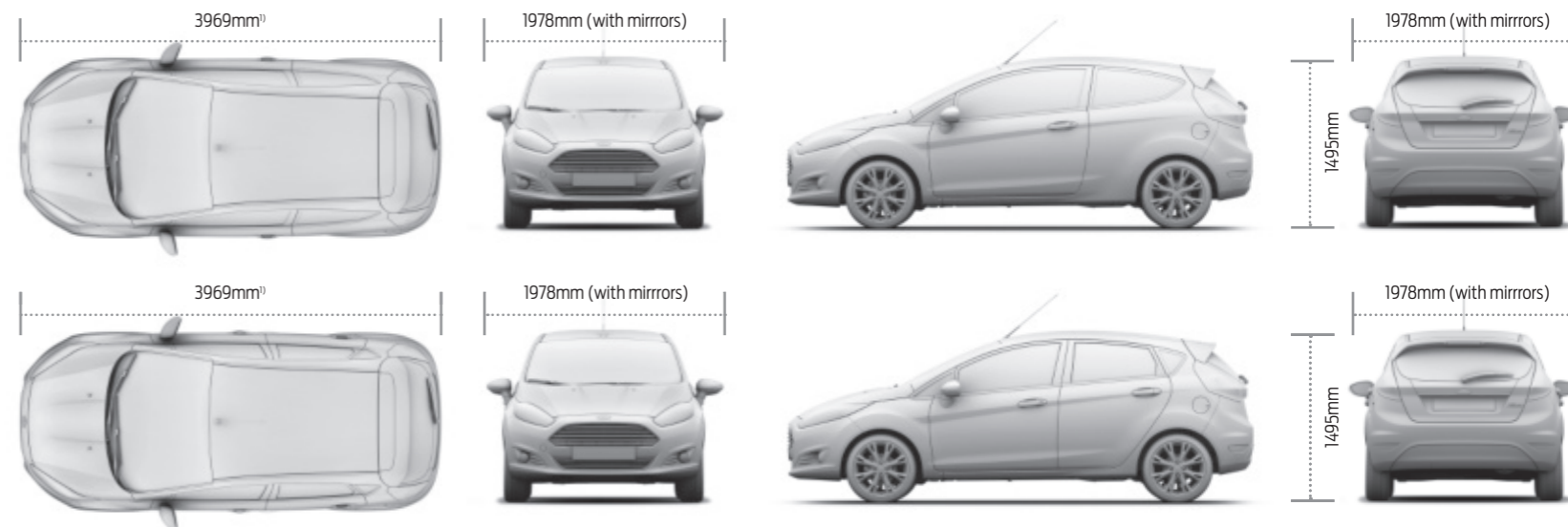


Dimensions

	3 Door	5 Door
Overall length (mm)	3969	3969
Overall length (mm) Zetec S & ST versions (3-Door only)	3982	3982
Overall length (mm) Bumper Styling Kit	3982	3982
Overall width with mirrors (mm)	1978	1978
Overall width without mirrors (mm)	1709	1722
Overall width with folded mirrors (mm)	1764	1764
Overall height (mm) max	1495	1495
Turning circle – Kerb to kerb (m)	10.1	10.1

	3 Door	5 Door
Luggage capacity (litres) [†]		
5-seat mode (with tyre repair kit)	290	290
5-seat mode (with steel spare)	276	276
2-seat mode (with tyre repair kit)	974	974
2-seat mode (with steel spare)	960	960
Fuel tank capacity (litres)		
Petrol	42	42
Diesel	40.5	40.5
ST	48	N/A

[†]Measured in accordance with ISO 3832. Dimensions may vary dependent on the model and equipment fitted.



¹⁾ Overall length is 3982mm on Zetec S/ST Series and when fitted with Bumper styling kit.

Weights and loads

	Kerbweight (kg)*		Gross Vehicle Mass (kg)		Max. Towable Mass (braked) (kg)	Max. Towable Mass (unbraked) (kg)	
	3 Door	5 Door	3-Door	5-Door	12%	3 Door	5 Door
1.0 Duratec (80 PS) with Auto-Start-Stop	1050	1055	1525	1555	650	525	525
1.0 EcoBoost (100 PS) with Auto-Start-Stop	1129	1130	1550	1555	900	560	565
1.0 EcoBoost (100 PS) PowerShift	1111	1121	1570	1575	900	555	560
1.0 EcoBoost (125 PS) with Auto-Start-Stop	1123	1124	1550	1555	900	560	560
1.0 EcoBoost (140 PS) with Auto-Start-Stop	1128	1138	1550	N/A	900	560	N/A
1.25 Duratec (60 PS)	1044	1051	1525	1530	500	500	500
1.25 Duratec (82 PS)	1044	1051	1525	1530	600	520	525
1.6 Duratec Ti-VCT (105PS) PowerShift	1089	1098	1560	1565	650	540	545
1.6 EcoBoost (182PS)	1163	N/A	1575	N/A	N/A	N/A	N/A
1.5 Duratorq TDCi (75 PS)	1113	1123	1570	1575	750	555	555
1.5 Duratorq TDCi (95 PS)	1116	1123	1570	1575	750	555	555
1.5 Duratorq TDCi Econetic with Auto-Start-Stop (95 PS)	1127	1136	1570	1575	N/A	N/A	N/A

*Represents the lightest kerbweight assuming driver at 75 kg, full fluid levels and 90% fuel levels, subject to manufacturing tolerances and options fitted. **Towing limits (braked)** quoted represent the maximum towing ability of the vehicle at its Gross Vehicle Mass to restart on a 12 per cent gradient at sea level. The performance and economy of all models will be reduced when used for towing. **Nose weight limit** is a maximum of 50 kg on all models. **Note** All vehicles are 5-speed manual, unless 1.6 EcoBoost (6-speed manual) or Powershift stated.

Insurance Groups

	Studio	Style	Zetec	Zetec S	Titanium	Titanium X	ST-1	ST-2	ST-3
1.0 Duratec (80 PS) with Auto-Start-Stop			6E		7E				
1.0 EcoBoost (100 PS) with Auto-Start-Stop			11E		11E	11E			
1.0 EcoBoost (100 PS) PowerShift			11E		11E	11E			
1.0 EcoBoost (125 PS) with Auto-Start-Stop				15E	15E	16E			
1.0 EcoBoost (140 PS) with Auto-Start-Stop				18E					
1.25 Duratec (60 PS)	3E	5E							
1.25 Duratec (82 PS)		7E	7E						
1.6 Duratec Ti-VCT (105) PowerShift			12E		12E				
1.6 EcoBoost (182 PS)							30E	30E	30E
1.5 Duratorq TDCi (75 PS)		8E	9E		9E				
1.5 Duratorq TDCi (95 PS)				13E		14E			
1.5 Duratorq TDCi Econetic with Auto-Start-Stop (95 PS)		13E	14E		14E				

E = Exceeds security requirement for model concerned and group rating has been reduced. Insurance ratings are issued by the Association of British Insurers and are shown above in the new 1-50 rating scales.

Roof base carrier, lockable

This carrier is the base for all shown attachments. (Accessory)

Thule® roof ski/snowboard carrier 727 Deluxe – lockable and extendable

Elegant, fully-lockable ski carrier suitable for up to six pairs of skis or three snowboards. (Accessory)

ClimAir® wind deflector

Reduces turbulence and noise for a more enjoyable drive with the windows down, even during light rain. (Accessory)

Mudflaps

Available as sets for front and rear, these practical and hard-wearing contoured mudflaps protect the bodywork from stone chips and help keep your Ford Fiesta clean by reducing road spray. (Accessory)

Thule® roof box, lockable

Designed to carry a wide variety of loads and protect them from weather and theft. Most models come with dual-opening for easy access. (Accessory, available in various sizes)

Large rear spoiler

Body colour rear spoiler creates a sporty look. (Option and accessory)

Detachable tow bar

For extra transport and stowage capability, the tow bar can tow up to 900 kg* depending on engine. The tow bar can easily be detached if not in use. (Accessory)



Load compartment mat

Durable mat, designed to keep the load compartment clean and tidy, ideal for transporting wet or dry items. (Accessory)

ClimAir® Rear bumper protection

Protection plates are designed for each Ford model to protect against daily wear and tear. (Accessory)

Load retention guard

Robust retention system keeps dogs or items of luggage safely in the load compartment (removable when not in use). Can be ordered for fitment behind the second row of seats. (Accessory)



*Towing capacity depends on engine and vehicle series, please also refer to vehicle weight and load specifications.

†Please see back cover for warranty information.

www.ford-accessories.co.uk
www.fordlifestylecollection.com

Colour and trim

Model	Studio	Style	Zetec	Zetec S	Zetec S
Seat trim and colour	Max in Charcoal Black/Soft Charcoal	Match Point in Charcoal Black	Lithos in Charcoal Black	Ultimate/Lux Soft in Charcoal Black	Ultimate/Lux Soft in Charcoal Black
Seat bolster trim and colour	Max in Charcoal Black	View in Charcoal Black with Metal Grey stitching and Machine Silver piping	Domo in Charcoal Black with Metal Grey stitching	Monax/Lux Soft in Soft Charcoal/Charcoal Black with Generic Silver stitching	Monax/Lux Soft in Soft Charcoal/Charcoal Black/Red Hot with Generic Red stitching
Door trim and colour	View in Charcoal Black	View in Charcoal Black	Ambassador in Charcoal Black	Ambassador in Charcoal Black	Ambassador in Charcoal Black
Centre stack bezel	Pegasus	Graphite Anodized	Royal Black	Royal Black	Royal Black
Upper instrument panel/Environment colour	Charcoal Black/Charcoal Black	Charcoal Black/Charcoal Black	Charcoal Black/Charcoal Black	Charcoal Black/Charcoal Black	Charcoal Black/Charcoal Black
Solid body colours					
Blazer Blue	●	●	–	–	–
Frozen White*	*	*	*	*	*
Race Red	●	●	●	●	●
Metallic body colours*					
Magnetic	–	*	*	*	*
Moondust Silver	*	*	*	*	–
Deep Impact Blue	–	*	*	*	–
Panther Black	*	*	*	*	*
Spirit Blue	–	–	–	–	–
Design body colours*					
Copper Pulse	–	–	*	*	–
Hot Mustard	–	–	*	*	–
Special body colours*					
Candy Blue	–	–	*	*	–
Candy Red	–	*	*	*	*
Molten Orange	–	–	–	–	–

● = Available, * = Option at extra cost, – = Not available

	Titanium	Titanium	Titanium X	ST-1	ST-2/ST-3	ST-2/ST-3	
Modena leather in Metallic Effect*	Smitty Tech in Ecru	Modena leather in Metallic Effect*	Smitty Tech in Silver/Black	Modena leather in Metallic Effect*	Airfield in Silverstone Grey	Protection in Molten Orange	Protection in Smoke Storm
Modena leather in Charcoal Black with Metal Grey stitching	Domo in Charcoal Black with Biscuit stitching	Modena leather in Charcoal Black with Metal Grey stitching	Modena leather in Charcoal Black with Metal Grey stitching	Modena leather in Charcoal Black with Metal Grey stitching	Lux Soft in Charcoal Black with Generic Silver stitching	Torino leather in Charcoal Black/Lux Soft in Molten Orange with Molten Orange Stitching	Tornio leather in Charcoal Black/Lux Soft in Smoke Storm with Generic Silver stitching
Ambassador in Charcoal Black	Ambassador in Charcoal Black	Ambassador in Charcoal Black	Ambassador in Charcoal Black	Ambassador in Charcoal Black	Ambassador in Charcoal Black	Ambassador in Charcoal Black	Ambassador in Charcoal Black
Royal Black	Royal Black	Royal Black	Royal Black	Royal Black	Satin Black	Satin Black	Satin Black
Charcoal Black/Charcoal Black	Charcoal Black/Charcoal Black	Charcoal Black/Charcoal Black	Charcoal Black/Charcoal Black	Charcoal Black/Charcoal Black	Charcoal Black/Charcoal Black	Charcoal Black/Charcoal Black	Charcoal Black/Charcoal Black
–	–	–	–	–	–	–	–
*	*	*	*	*	*	*	*
●	●	●	●	●	●	●	●
*	*	*	*	*	–	–	–
*	*	*	*	*	–	–	–
*	*	*	*	*	–	–	–
*	*	*	*	*	*	*	*
–	–	–	–	–	*	–	*
*	*	*	*	*	–	–	–
*	*	*	*	*	–	–	–
–	–	–	–	–	*	*	*

Bodystyle: _____ Series: _____

Engine: _____

Transmission: _____

Colour: _____

Trim: _____

Wheels: _____

Audio: _____

Options: _____

Option Packs: _____

Accessories: _____

Finance: _____

Choose

Specify your new car right down to the wheels, audio, options and accessories then visit your Ford dealer.

You can specify your new car online using the Ford Configurator. It lets you instantly see what your car will look like – inside and out – from multiple angles. And a tally of your choices and their prices helps you keep to your budget. Visit www.ford.co.uk/ConfigureyourCar

Finance

When it comes to financing your car, our size and expertise means we're well placed to provide you with a wide range of finance products.

Ford Credit provides a range of finance products for your car whether you are a private or business user.

Ford Lease specialises in contract hire and leasing and provides an alternative range of finance plans which can be tailored to suit your business. Business users only.

For more information about our finance products visit www.ford.co.uk

Drive

When you drive away in your new car, we're with you all the way. Ford has the largest authorised service network in the UK to help you keep your car in the best condition.

And should your new Ford ever require accident repair, a Ford Accident Repair Centre is the best place to get your car back to its pre-accident condition and on the road as quickly as possible.

Contact

Ford Credit Customer Services 0845 712 5490

Ford Lease Customer Services 0844 600 1405

To configure your Ford online visit www.ford.co.uk/ConfigureyourCar

To look at finance for your Ford visit www.fordcredit.co.uk/BuyingAndProtectingYourFord
Business users visit www.ford.co.uk/FordFleet



Ford Warranty and Servicing Plans

3-years/60,000 miles* Ford Warranty

1-year/unlimited miles* Ford Assistance Roadside Cover (Europe)

2-years/2 services or 3 years/3 services* Ford Protect Premium Plan, including scheduled servicing and extended Ford Assistance

1-year/unlimited miles* Paint Warranty

12-years/unlimited miles* Perforation Warranty

● = Standard, ○ = Optional, at extra cost.

*Whichever occurs soonest; from date of first registration. Year 1 - unlimited mileage. Subject to terms and conditions.

Illustrations, descriptions and specifications. This catalogue was correct at the time of going to print. However, Ford policy is one of continuous product development. The right is reserved to change specifications, colours and prices of the models and items illustrated and described in this publication at any time. For the latest details always consult your Ford Dealer. **Optional equipment.** Throughout this publication, wherever a feature is described as being an 'Option' or 'Option Fitment/Pack' etc, you should assume that it will be at extra cost to the base vehicle, unless specifically stated to the contrary. All models and colour combinations are subject to availability. **Note.** Some images portrayed are of a pre-production model and/or are computer generated, therefore, the design/features on the final version of the vehicle may differ in various respects. In addition, some of the features shown on the vehicles may be optional. **Note.** This brochure contains both original Ford accessories as well as a range of products from our suppliers. **+**The identified accessories are carefully selected third party supplier branded accessories which do not come with a Ford warranty but are covered by the third party supplier's own warranty, the details of which can be obtained from your Ford Dealer. **Note.** The Bluetooth® word mark and logos are owned by the Bluetooth SIG, Inc. and any use of such marks by Ford Motor Company is under licence. The iPod word mark and logos are the property of Apple Inc. Other trademarks and trade names are those of their respective owners. **Note.** Some driver assistance features and safety features described in this brochure are designed to function using sensors, whose performance may be affected under certain weather or environmental conditions.

The Government fuel figures do not express or imply any guarantee of the fuel consumption of any particular vehicle. The vehicles themselves have not been tested and there are inevitably differences between individual vehicles of the same model. In addition, a vehicle may incorporate particular modifications. Furthermore, the driver's style and road and traffic conditions, as well as the extent to which the vehicle has been driven and the standard of maintenance, will affect its fuel consumption. **Insurance groups** are only as recommended by the Association of British Insurers. You should always consult your insurance adviser for confirmation.



Ford and BP – working together to reduce fuel consumption and emissions.



Ford One Call

In the unlikely event that your Ford Dealer can't help you or if you need to speak to us directly, call 0203 564 4444

Ford Rental - local service nationwide

Car and Van rental from our latest model range. Contact your local Ford Dealer for more information

Ford Motability

Call our Ford Motability team on 0345 6040019

Finance

Ford Credit Customer Services 0845 712 5490
Ford Lease Customer Services 0844 600 1405

Published by Ford Motor Company Limited, Brentwood, Essex, England. Registered in England No. 2354446.

FA 1540/12

BJN 203774. FoE H38E.

PN 571501/0915/100m/GBR en

September 2015.

© Ford Motor Company Limited.



www.ford.co.uk



Go Further