

The Edge 2.0 (Triple Track) Product Manual

Contents:

SECTION A:

Typical Sections

SECTION B:

Hardware Options

SECTION C:

Pocket Slider Typical Sections

SECTION D:

Coupling Details

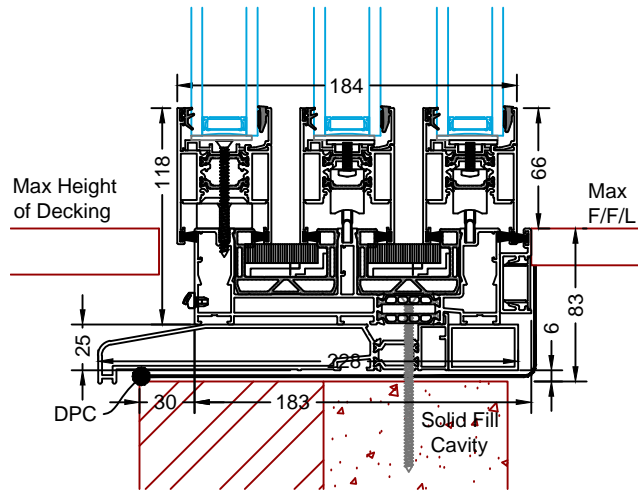
SECTION E:

Statics

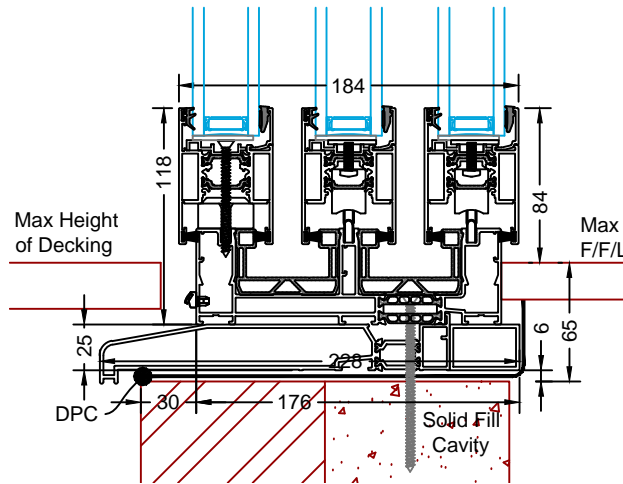
The Edge 2.0 (Triple Track)

TYPICAL SECTIONS

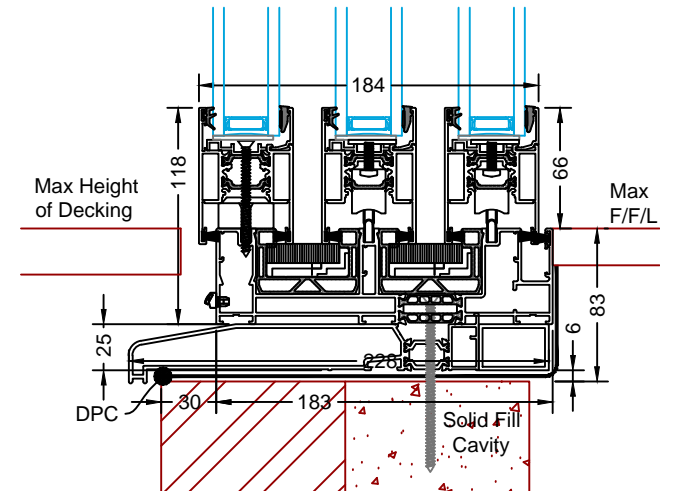
Triple Track 228mm Sill
With Internal
Flush Floor Detail



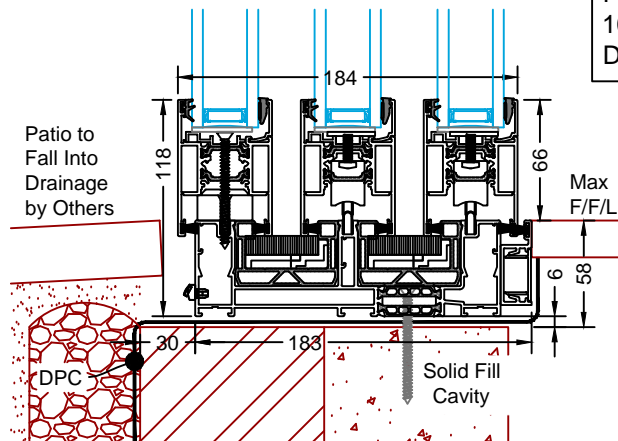
Triple Track 228mm Sill
With Non-Flush
Internal Floor Detail



Triple Track 228mm Sill
With Flush Internal Profile All Round

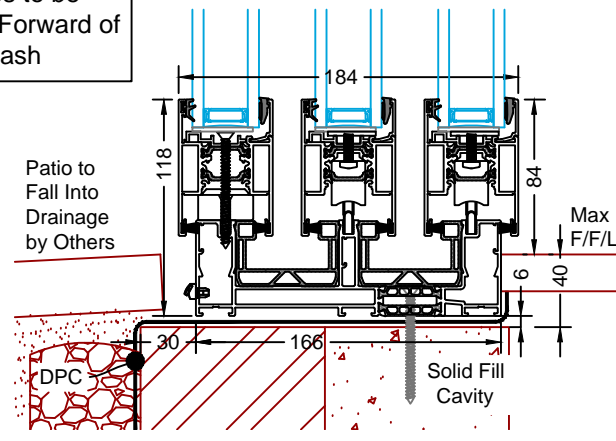


Triple Track
With Internal
Flush Floor Detail

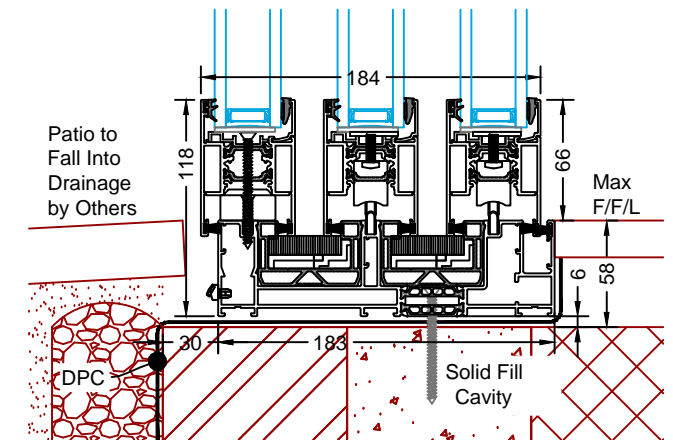


Note: All External
Finishes to be
10mm Forward of
Door Sash

Triple Track
With Non-Flush
Internal Floor Detail

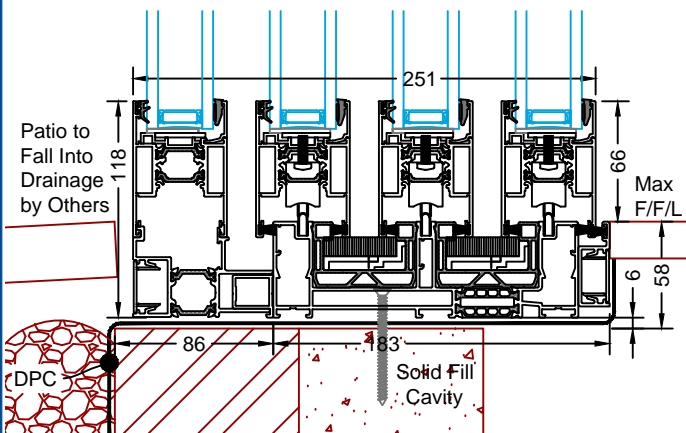


Triple Track
With Flush Internal Profile all Round

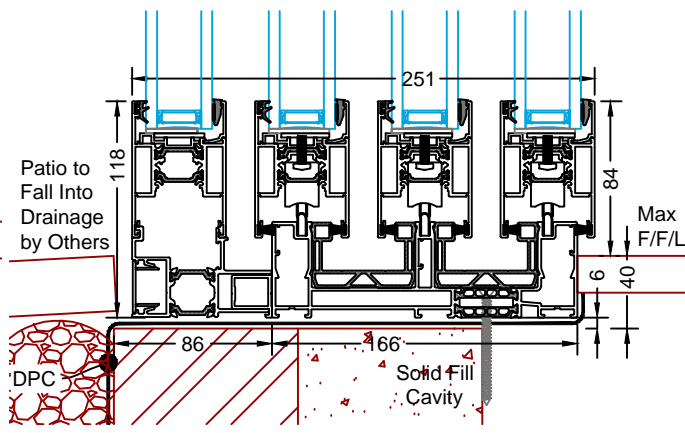


Note: All External Finishes to be 10mm Forward of Door Sash

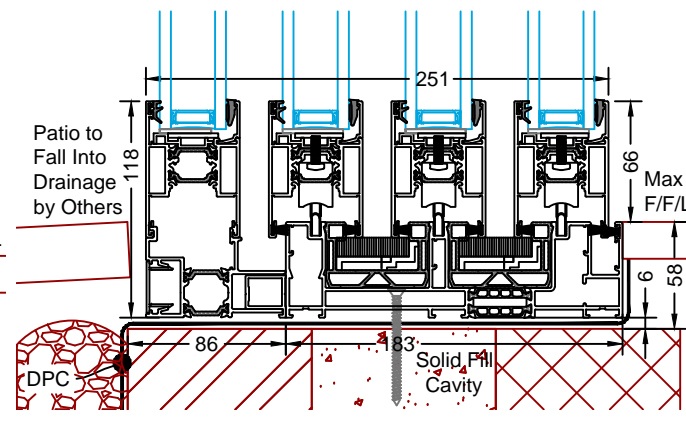
Triple Track & Plant-on Panel
With Internal
Flush Floor Detail

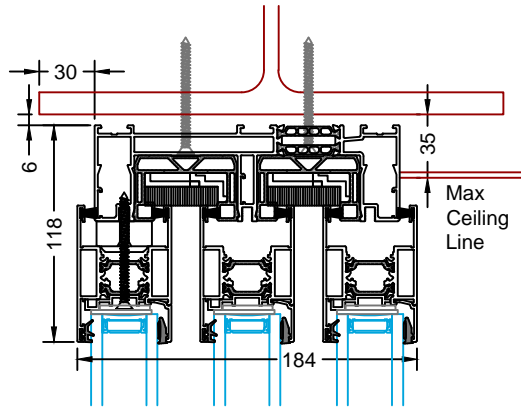


Triple Track & Plant-on Panel
With Non-Flush
Internal Floor Detail

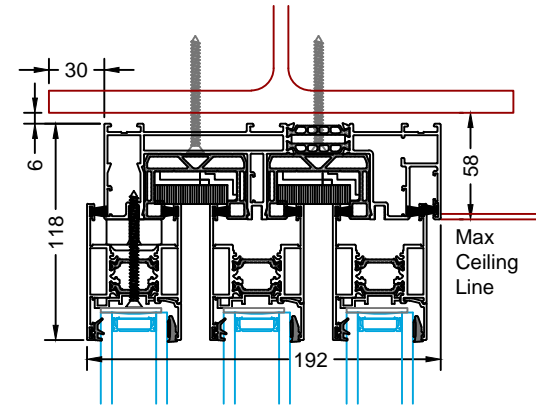


Triple Track & Plant-on Panel
With Flush Internal Profile All Round

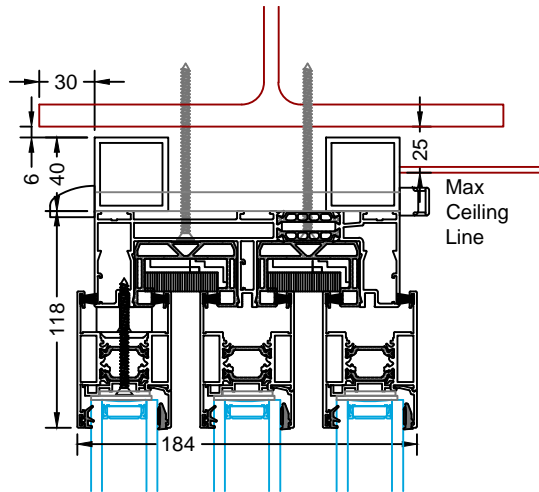




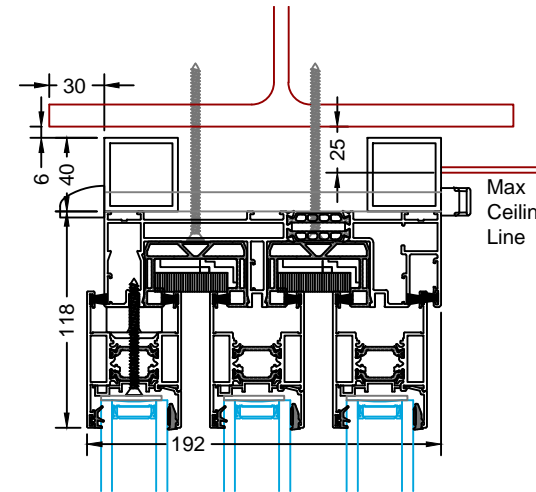
Triple Track



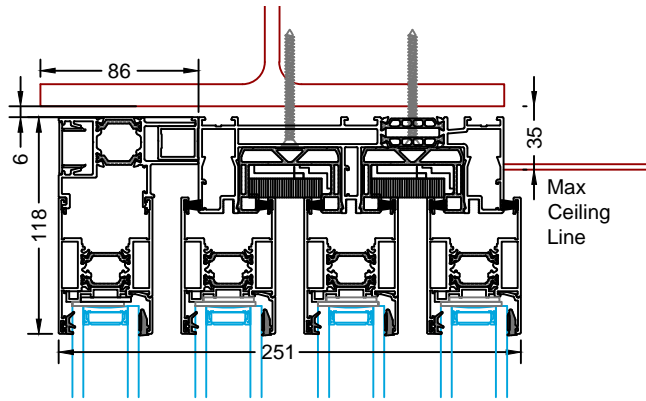
Triple Track
With Flush Internal Profile All Round



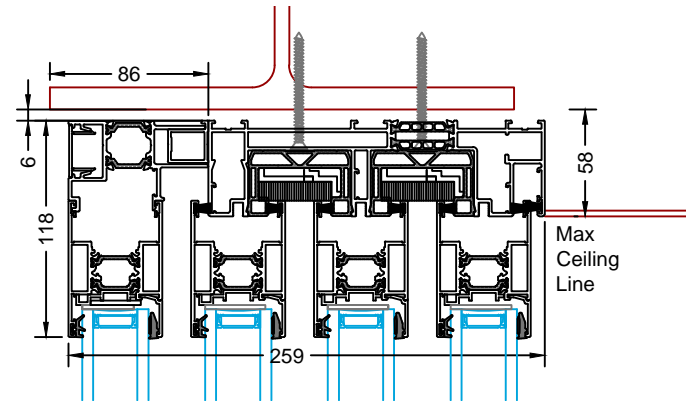
Triple Track
With Trickle Vent



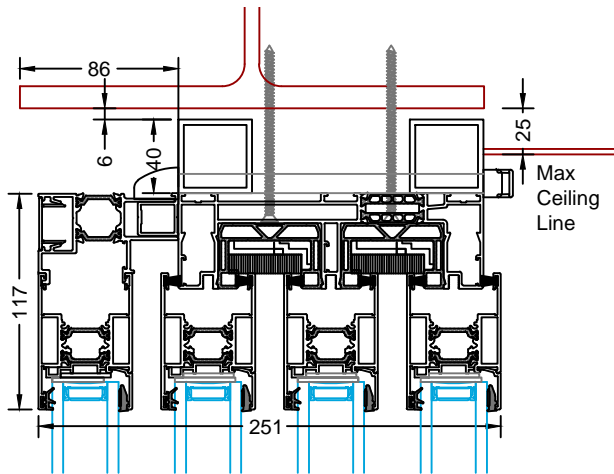
Triple Track
With Flush Internal Profile All Round
And Trickle Vent



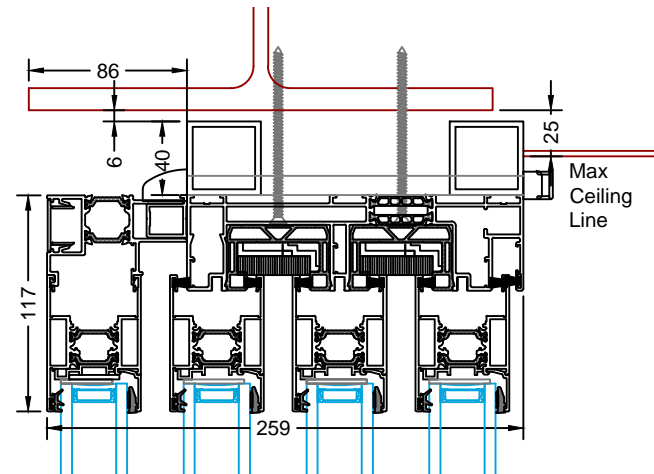
Triple Track with
Plant-on Panel



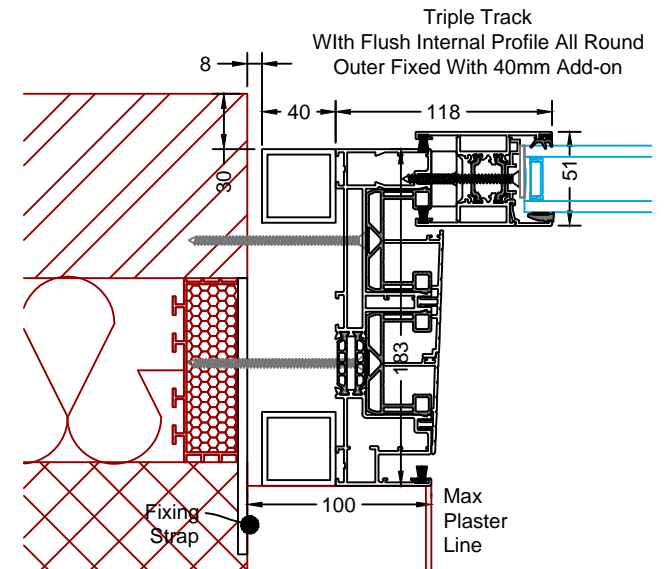
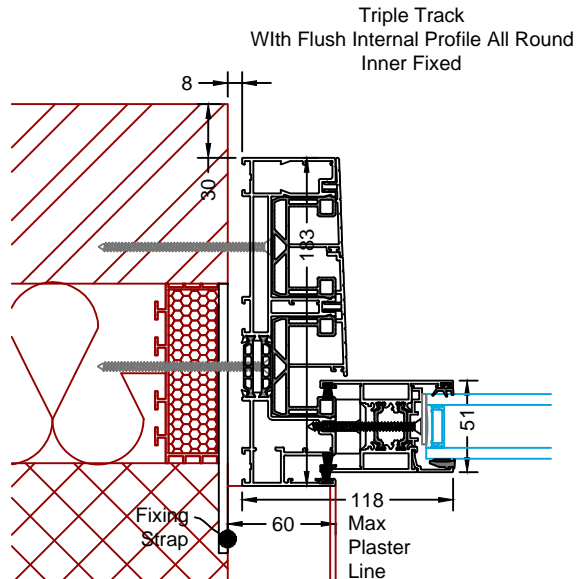
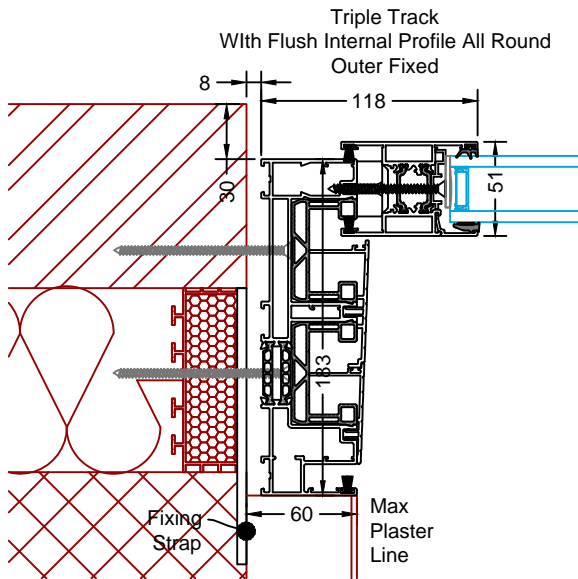
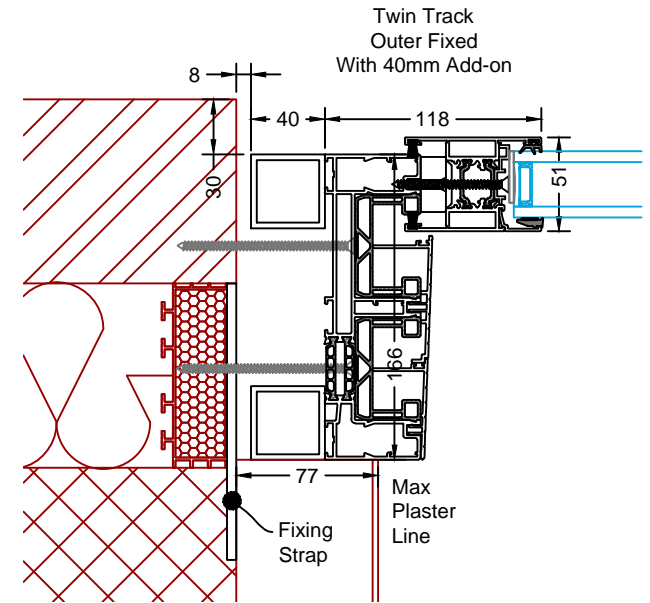
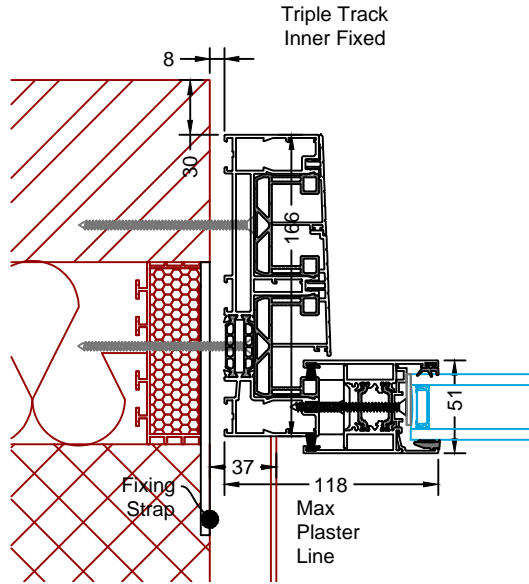
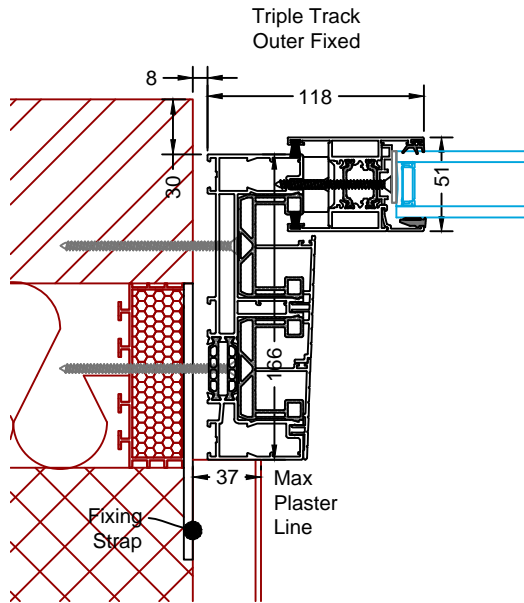
Triple Track And
Plant-on Panel
With Flush Internal Profile All Round



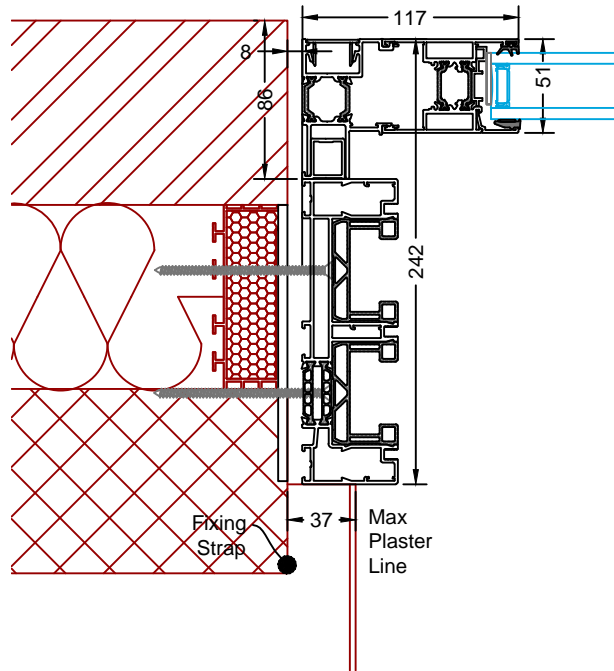
Triple Track And Plant-on Panel
With Trickle Vent



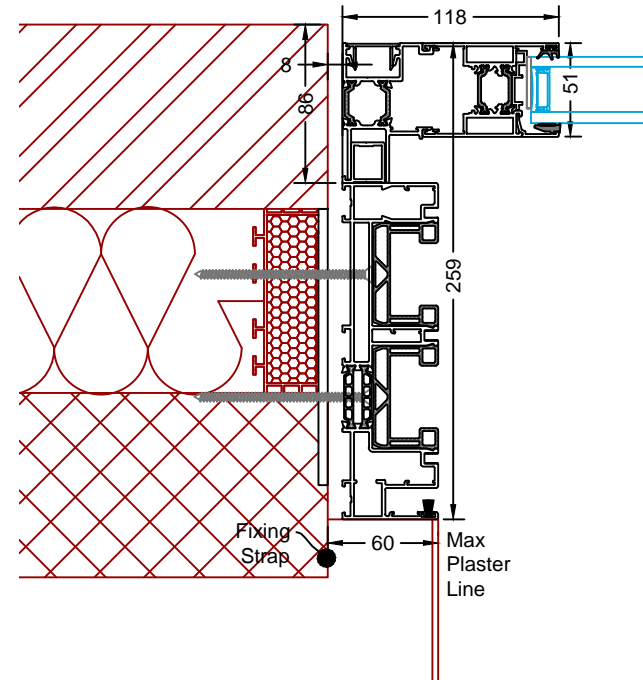
Triple Track And Plant-on Panel
With Flush Internal Profile All Round
And Trickle Vent



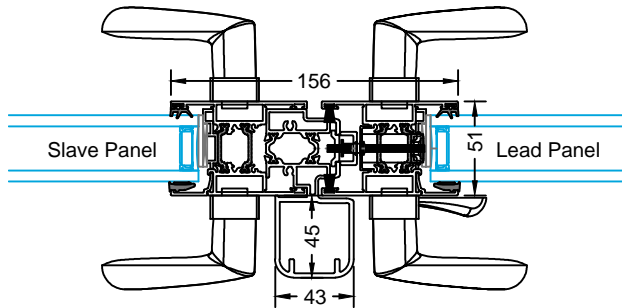
Triple Track with
Plant-on Panel



Triple Track And
Plant-on Panel
With Flush Internal Profile All Round

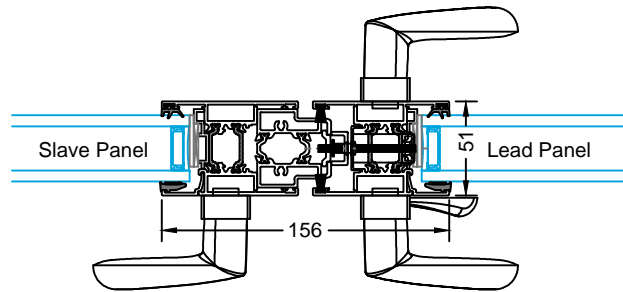


Centre Meeting
Closing Rebate
Reinforcement Profile
(‘D’ Shaped Handle Only)

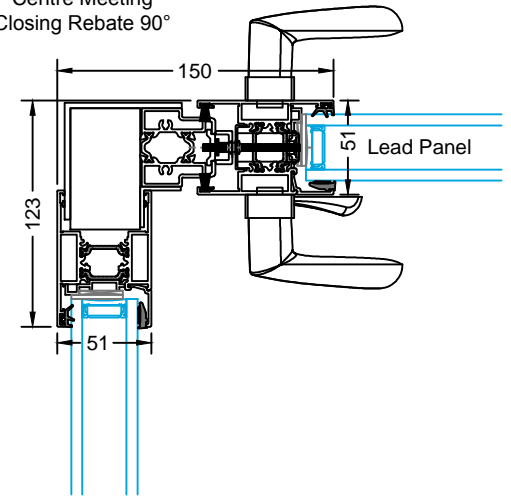


Requirement from 2500mm
In Exposed Locations

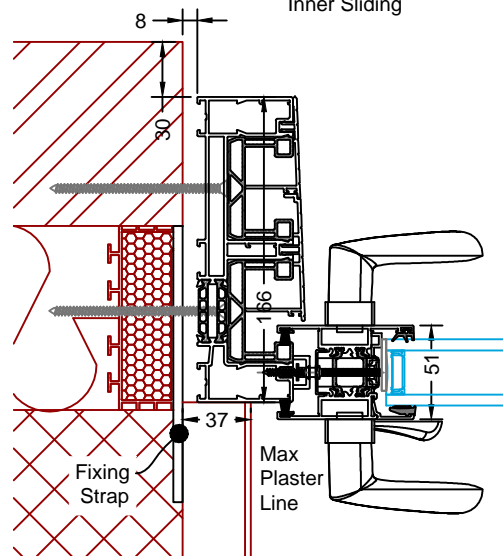
Centre Meeting
Closing Rebate



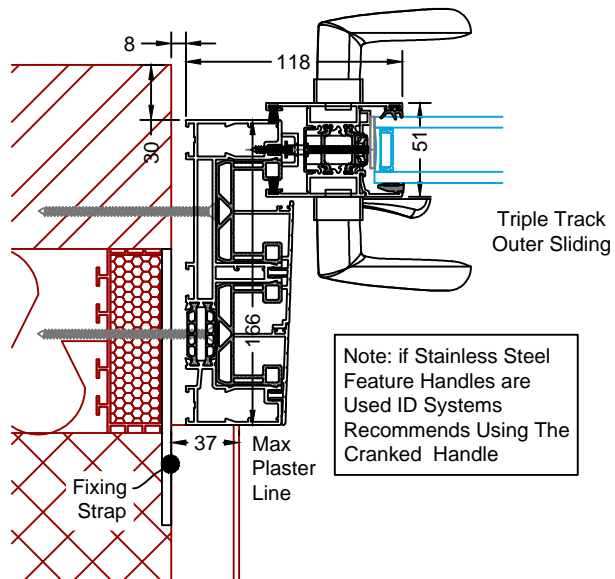
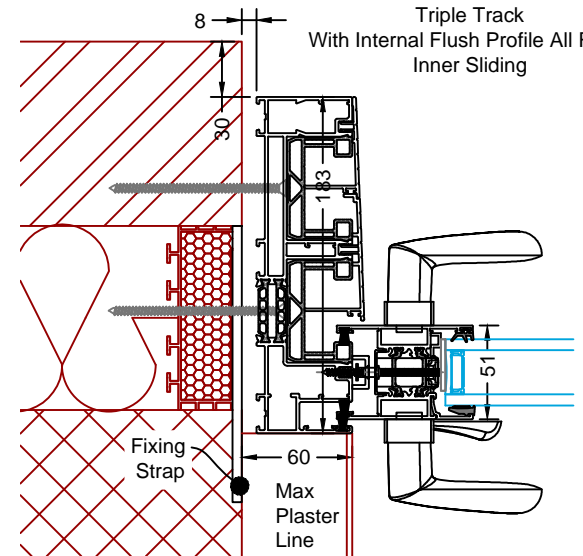
Centre Meeting
Closing Rebate 90°



Triple Track
Inner Sliding

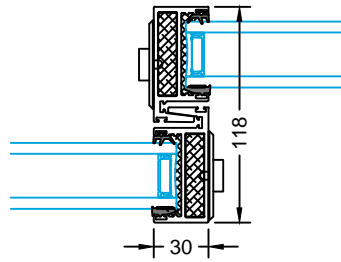


Triple Track
With Internal Flush Profile All Round
Inner Sliding

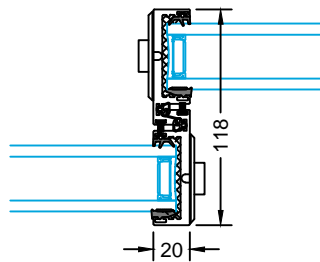


Note: if Stainless Steel
Feature Handles are
Used ID Systems
Recommends Using The
Cranked Handle

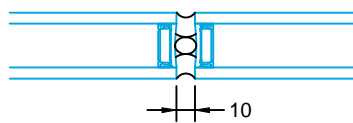
For Profile Limitations,
See Section E



Heavy Duty Mullion

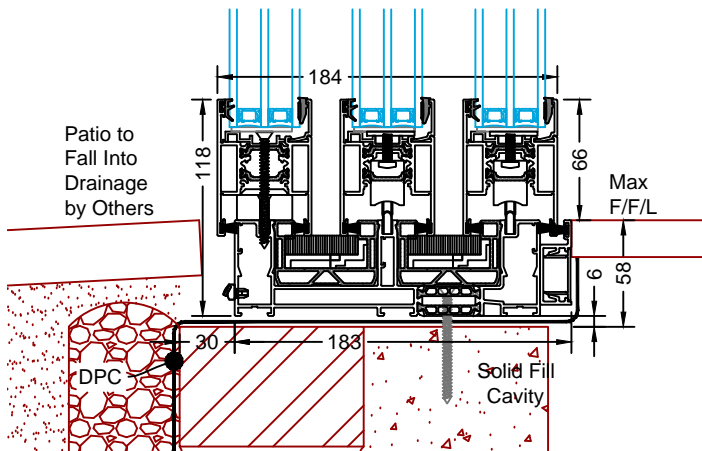


Standard Mullion

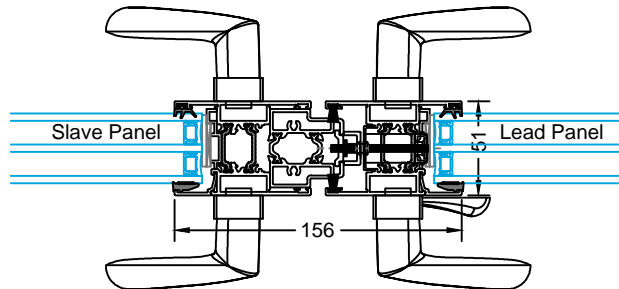


Glass to Glass
Joint

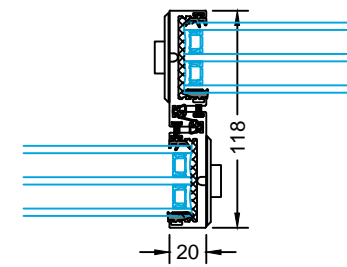
Triple Track
With Internal
Flush Floor Detail



Centre Meeting
Closing Rebate

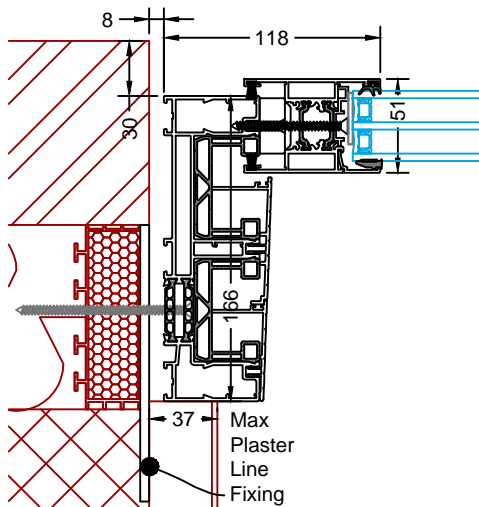


Standard Mullion
Triple Glazed

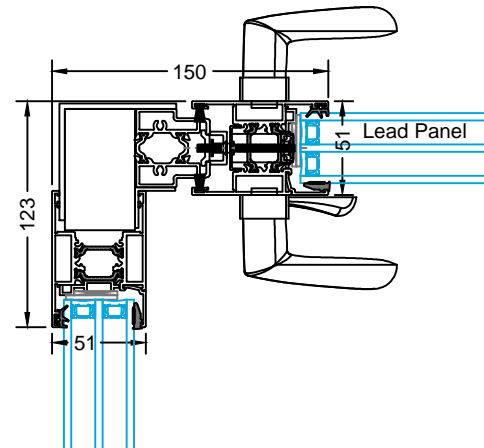


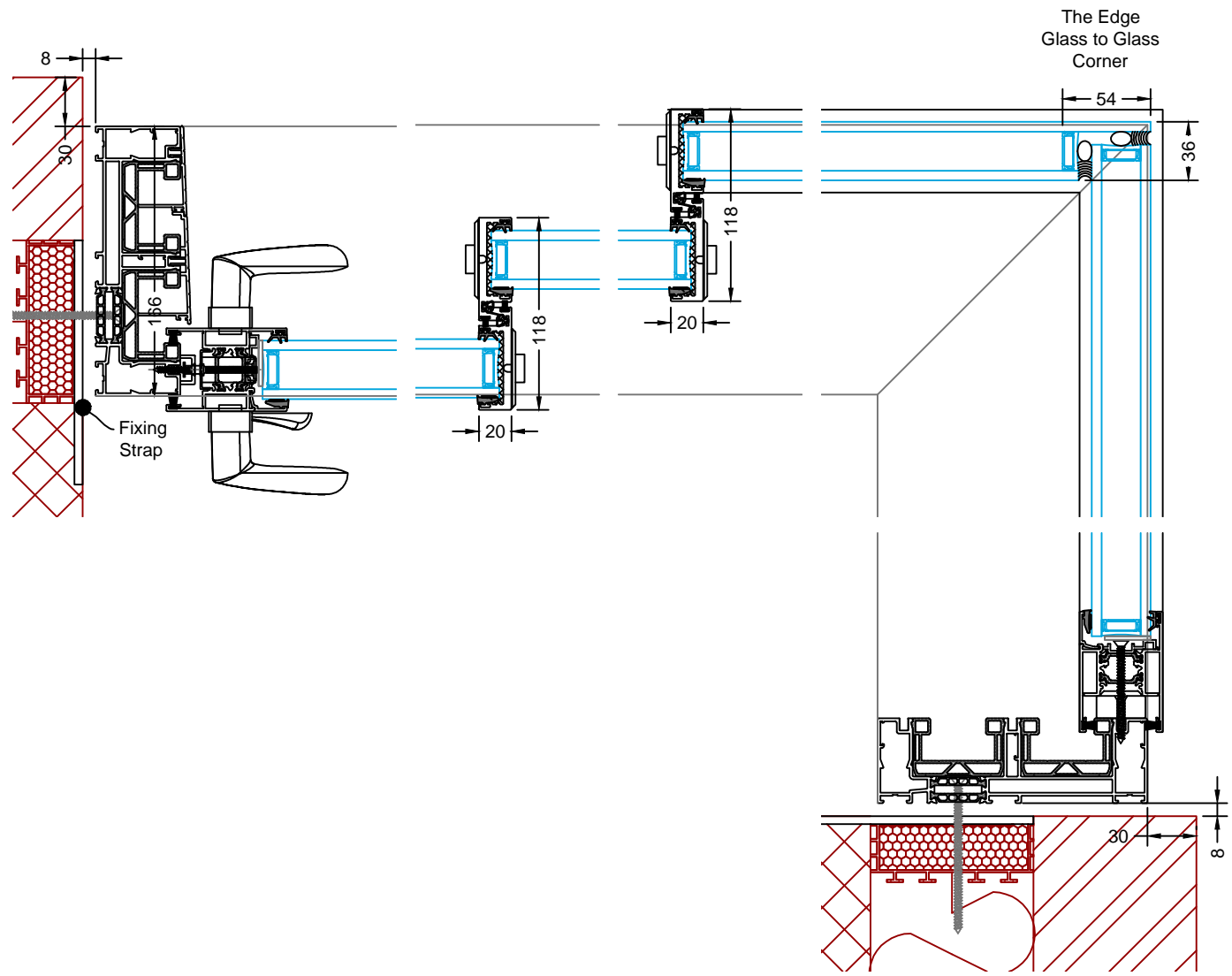
Note: All Previous
Details are Available
in 38mm Triple Glazed

Triple Track
Outer Fixed

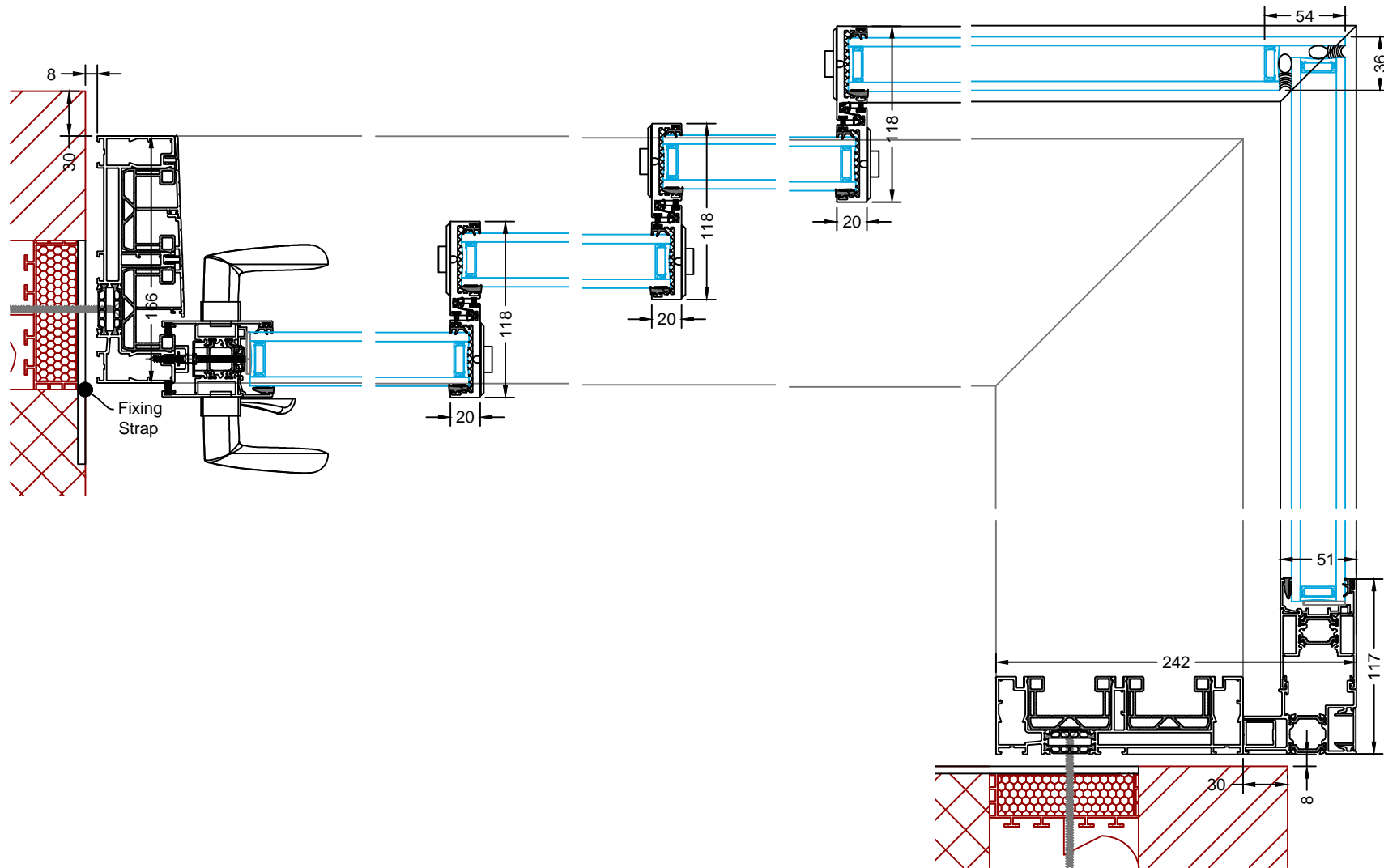


Sliding Corner Post
(inside Track Only)





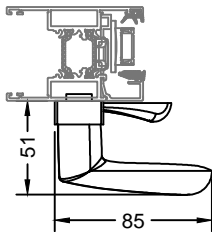
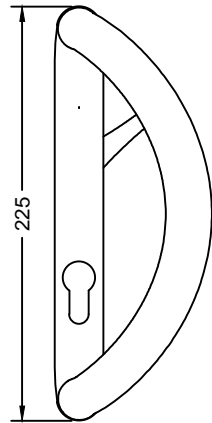
The Edge
Glass to Glass
Corner with Plant-on



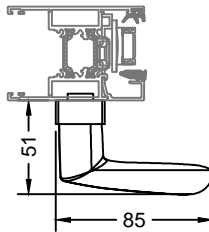
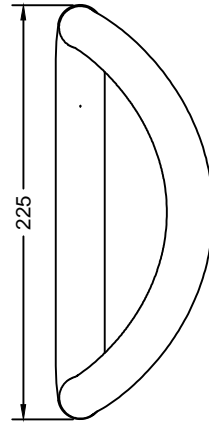
The Edge 2.0 (Triple Track)

HARDWARE OPTIONS

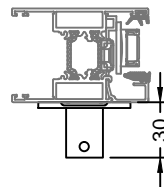
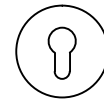
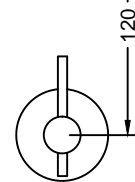
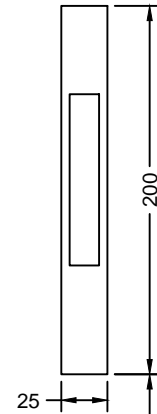
'D' Shaped Handle
Lead Panel



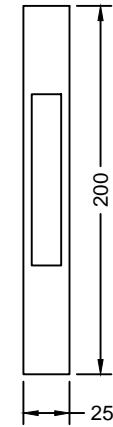
'D' Shaped Handle
Slave Panel



Recessed Handle
Lead Panel

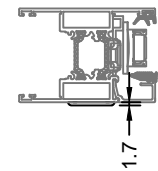


Recessed Handle
Slave Panel

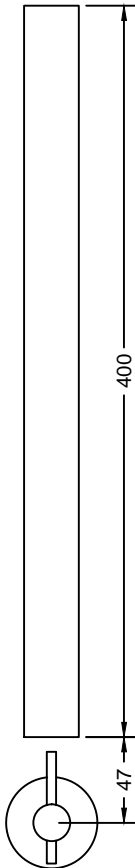


Snib Turn
(stainless Steel Finish Only)

Escutcheon
(stainless Steel Finish Only)



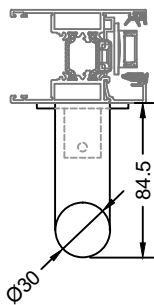
Straight Handle
Lead Panel



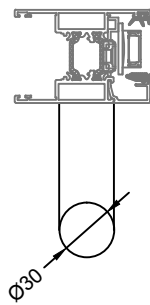
Snib Turn
(stainless Steel Finish Only)



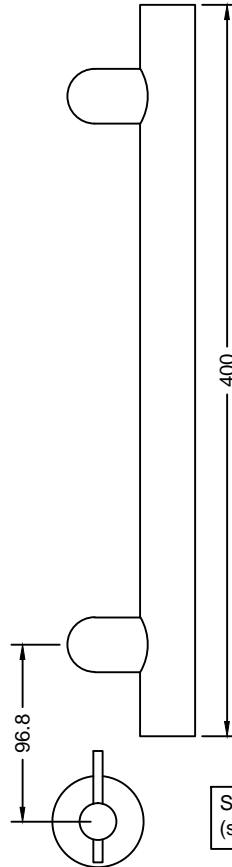
Escutcheon
(stainless Steel Finish Only)



Straight Handle
Slave Panel



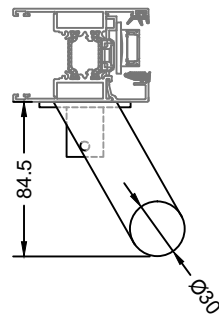
Cranked Handle
Lead Panel



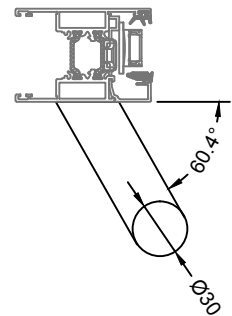
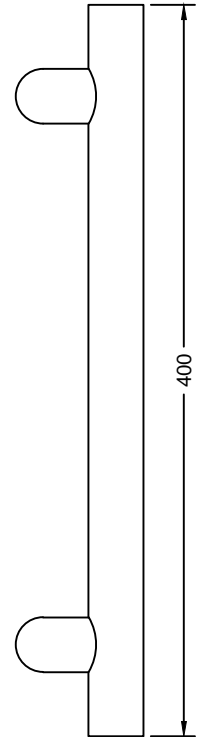
Snib Turn
(stainless Steel Finish Only)



Escutcheon
(stainless Steel Finish Only)

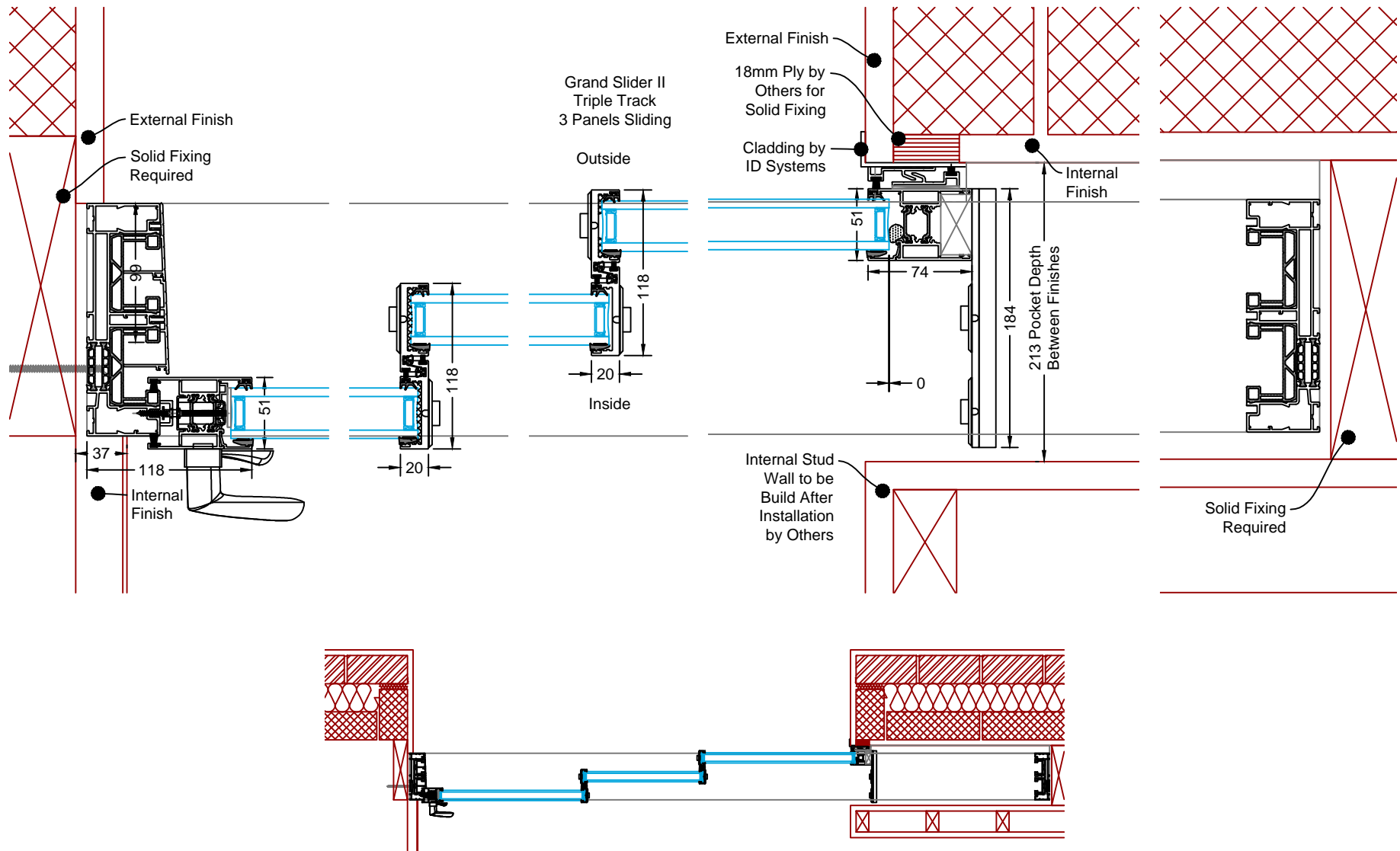


Cranked Handle
Slave Panel

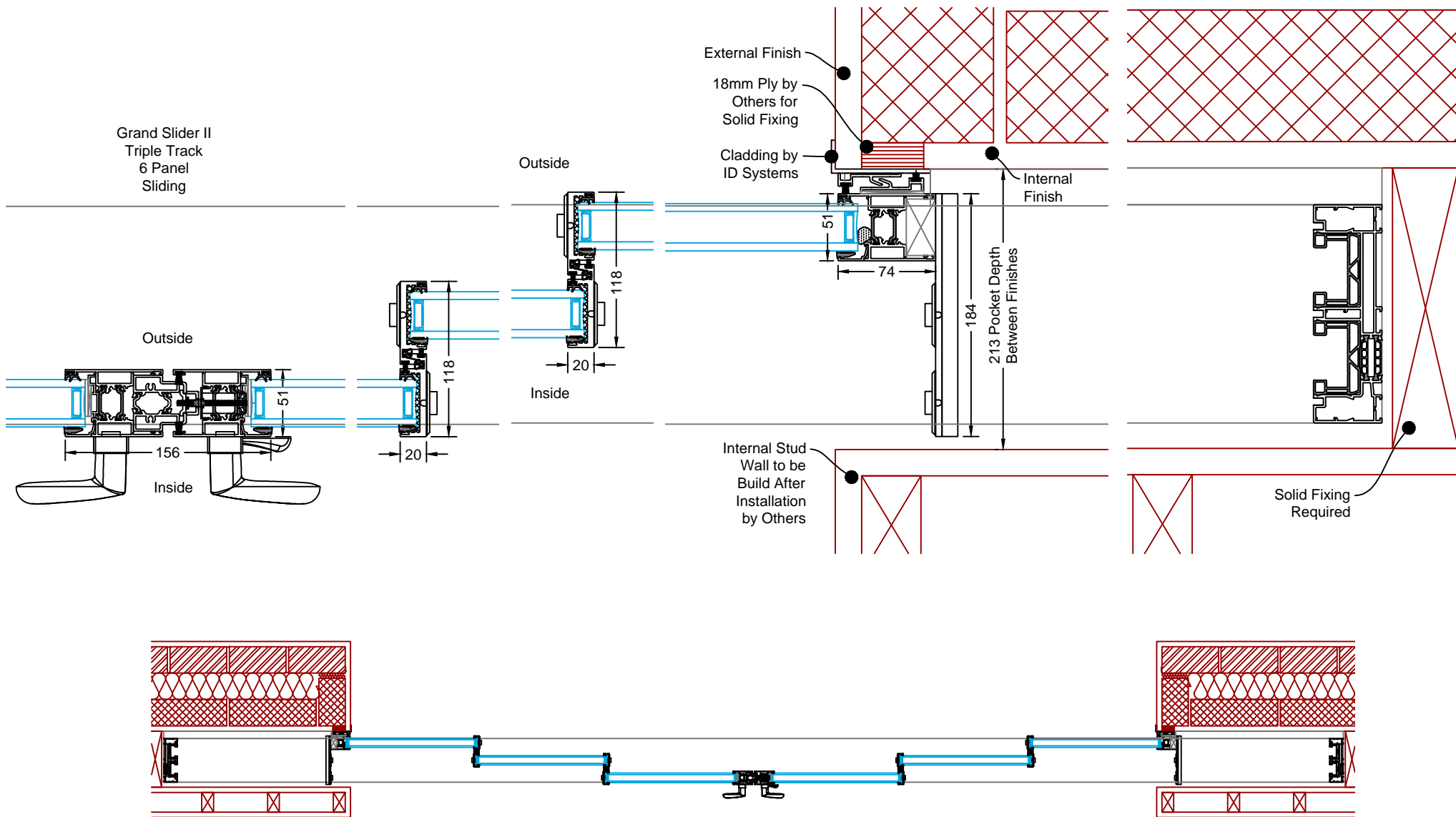


The Edge 2.0 (Triple Track)

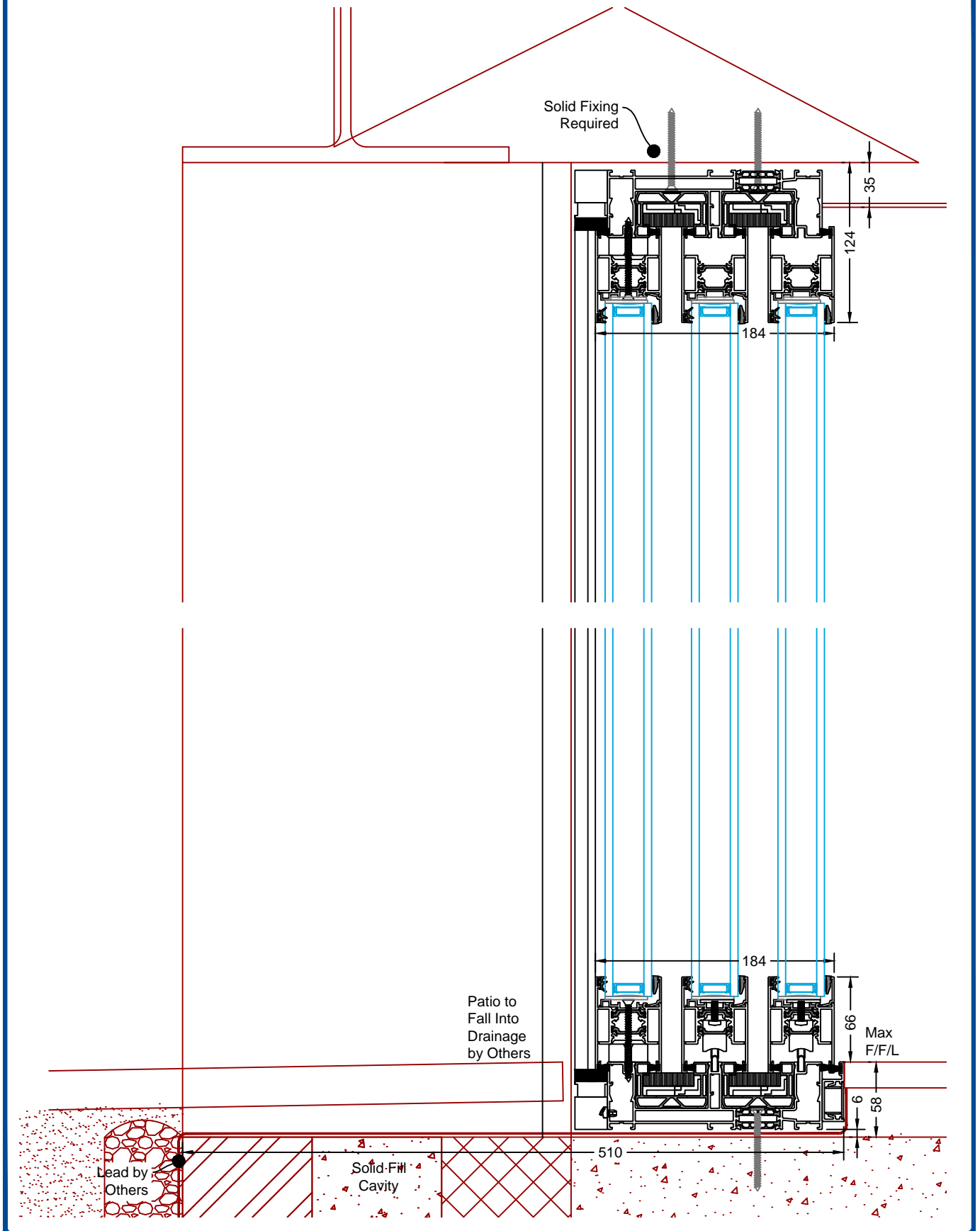
POCKET SLIDER TYPICAL SECTIONS



Grand Slider II
Triple Track
6 Panel
Sliding



Description: The Edge 2.0 Triple Track Six Panel Pocket Slider Typical Detail	System: The Edge 2.0	Rev.
	Page: C03	A



Description: The Edge 2.0 Triple Track Pocket Typical Detail

System: The Edge 2.0

Rev.

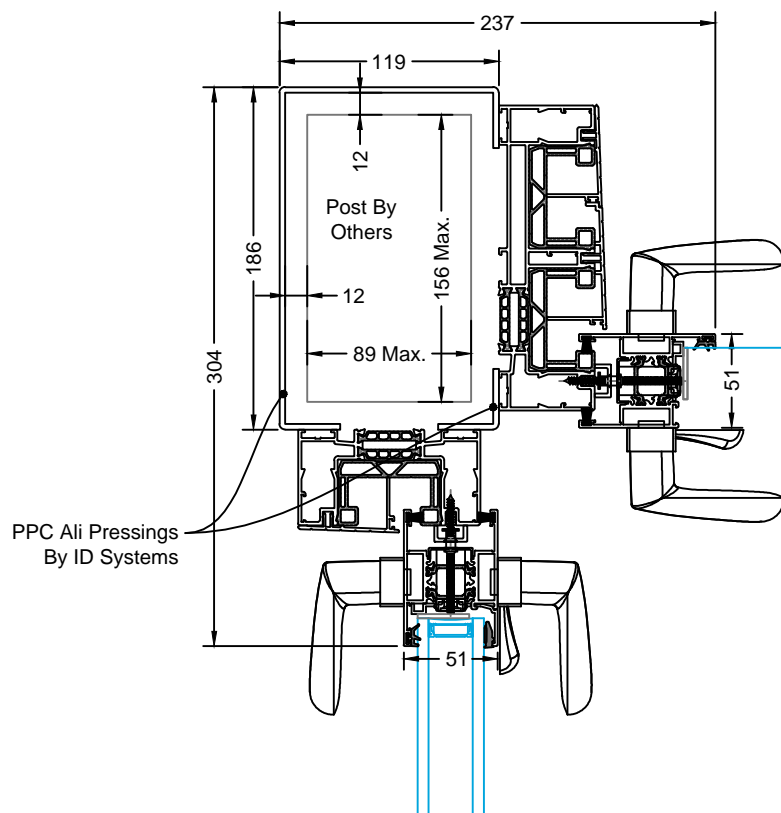
Page: C04

A

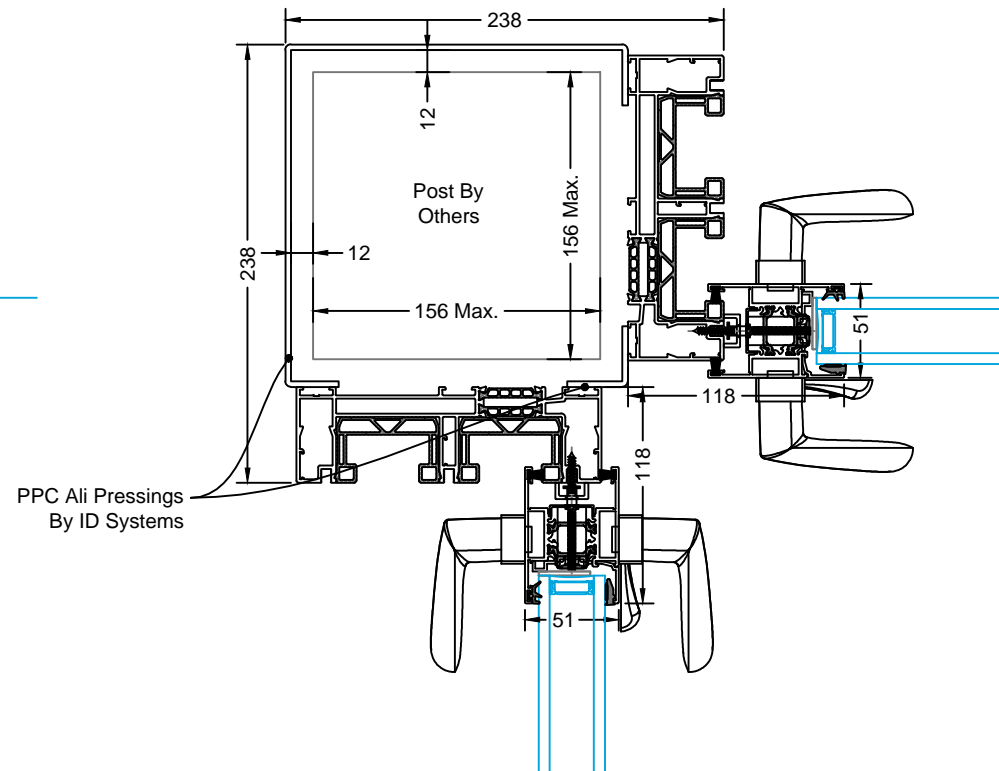
The Edge 2.0 (Triple Track)

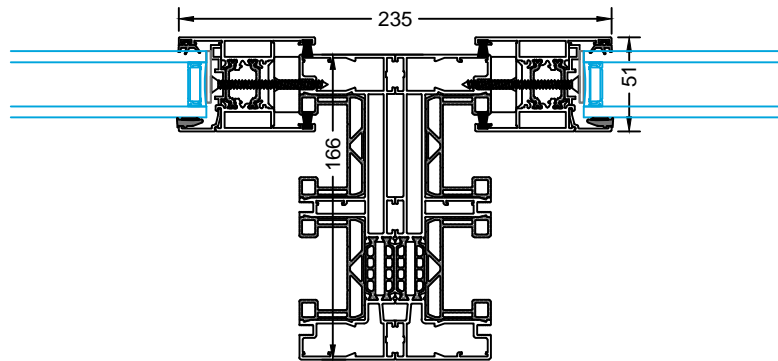
COUPLING DETAILS

Twin Track
And Triple Track
Fixed Corner Post

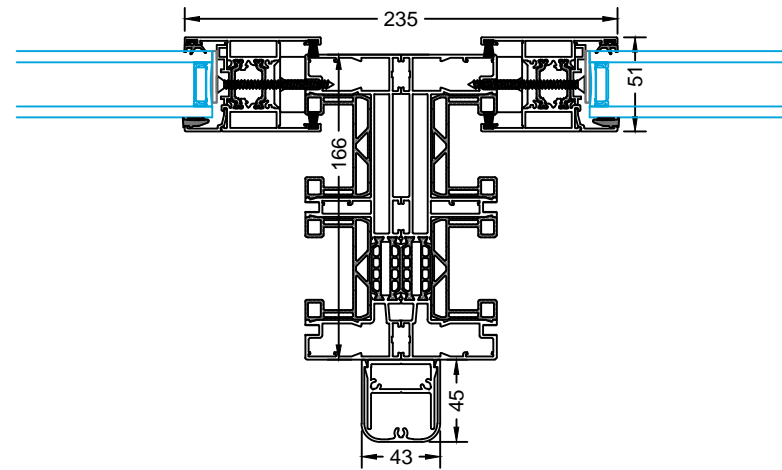


Triple Track
Fixed Corner Post

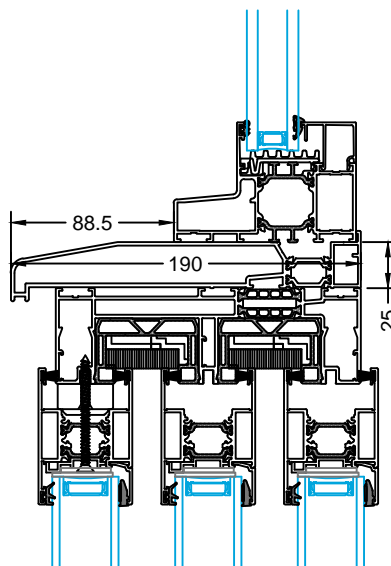




Slider/Slider



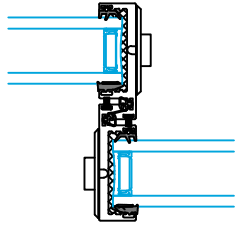
Slider/Slider
Heavy Duty



For Profile Limitations,
See Section E

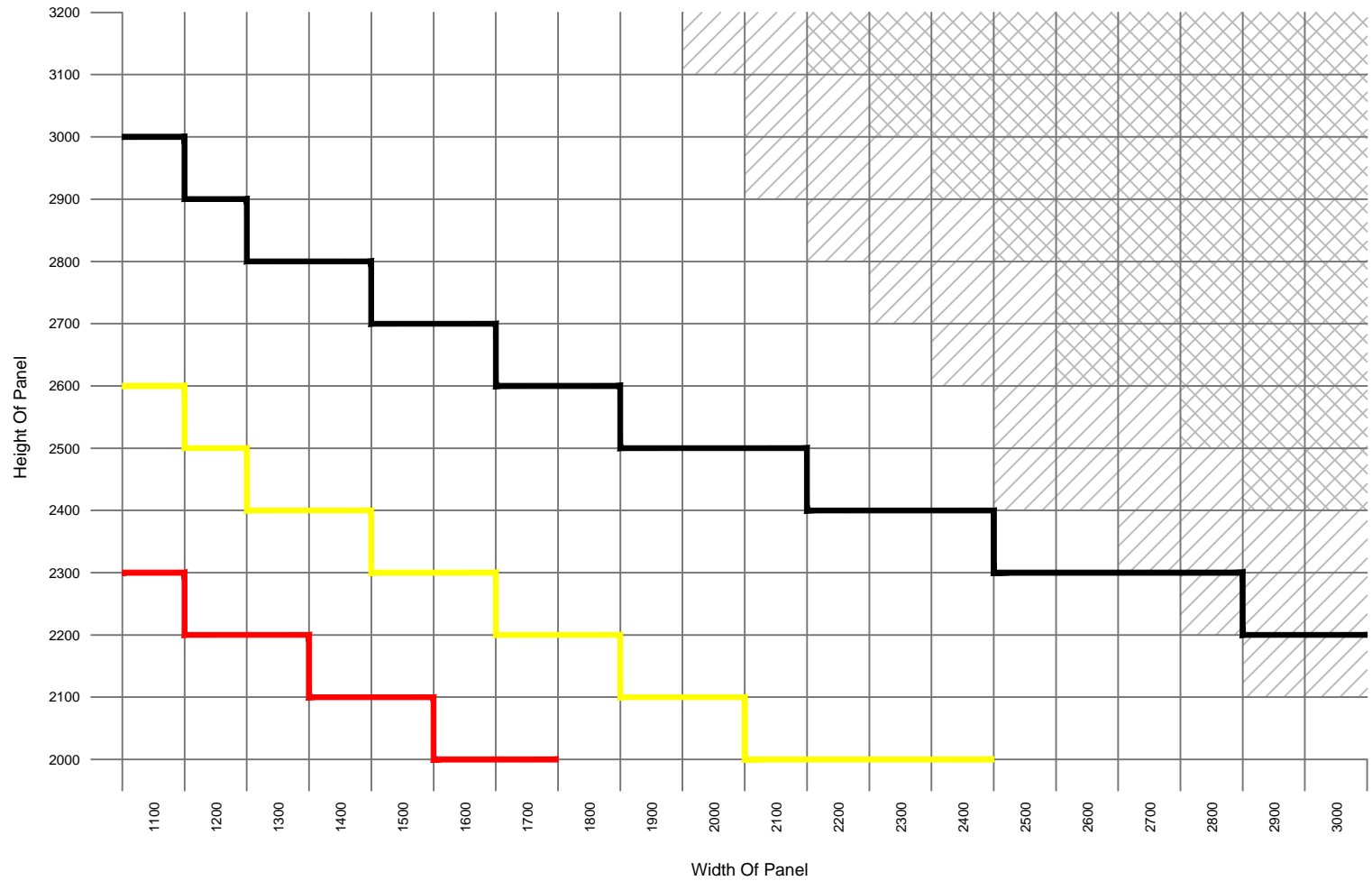
The Edge 2.0 (Triple Track)

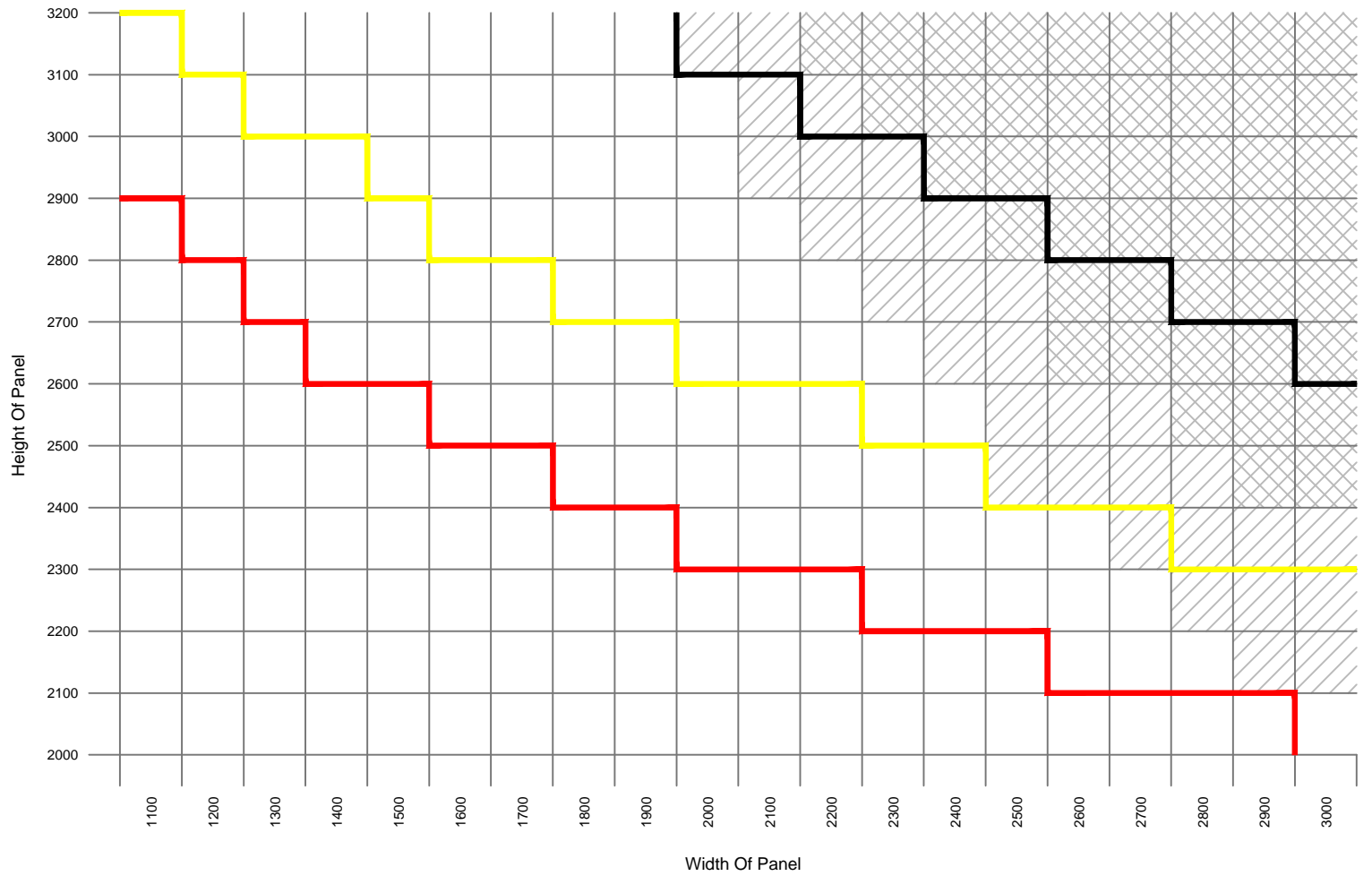
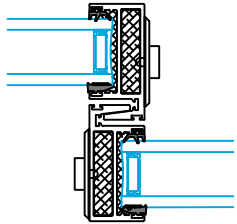
STATICS



- Max. Panel Size @ 750pa
- Max. Panel Size @ 1200pa
- Max. Panel Size @ 1700pa

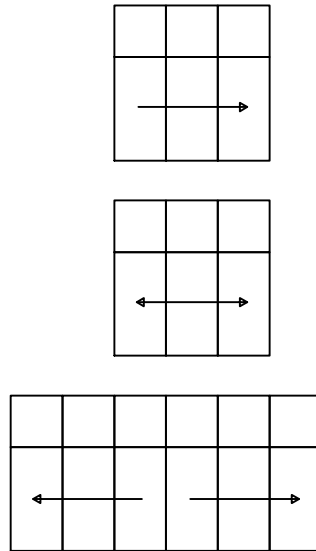
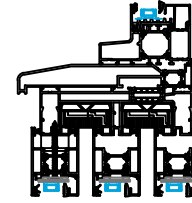
- Panel Weight 250-350kg
Reinforced Track & No Guarantee
- 350kg+ Not Recommended
No Guarantee





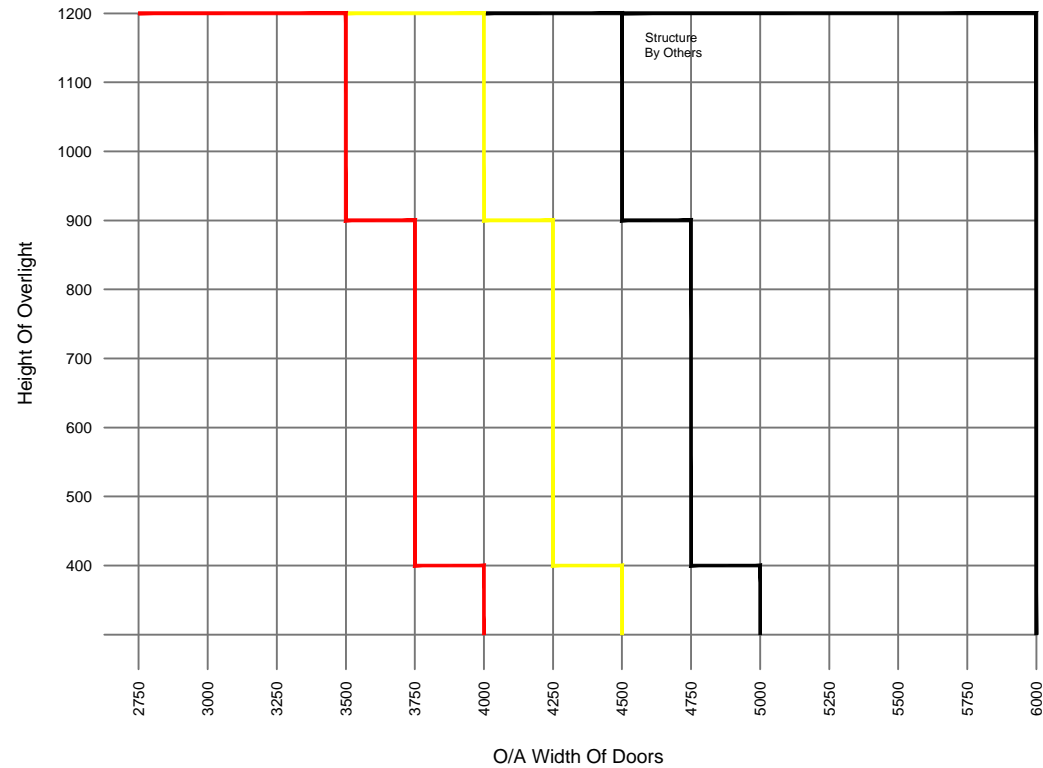
- Max. Panel Size @ 750pa
- Max. Panel Size @ 1200pa
- Max. Panel Size @ 1700pa

- Panel Weight 250-350kg
Reinforced Track & No Guarantee
- 350kg+ Not Recommended
No Guarantee



NOTE All calculations assume the following;
 Doors at maximum of 2500mm high.
 Glass in overlights to be maximum 6mm inner and outer panes.
 Openings assumed to be a ground level and not requiring to meet Part K for barrier loading.

If customers design falls outside parameters shown it may still be possible but will need to be confirmed by the Design Office.



- Max. O/A Door Width @ 750pa
- Max. O/A Door Width @ 1200pa
- Max. O/A Door Width @ 1700pa