





Contact us:

For more information please contact our customer service on +44 (0)1257 791451, email info@screenetek-international.com or check out our website at www.screenetek-international.com

Visit us:

To arrange a visit to our showroom or factory please call us on +44 (0)1257 791451

Accreditations:

Screenetek is ISO 9001 and ISO 14001 certified. We pride ourselves on our commitment to management, customer services and the environment.

Screenetek is also FSC[®] accredited (FSC-C116527) ensuring we have an accurate trace for all our wood based components.

Screenetek International
www.screenetek-international.com

Tel: +44 (0)1257 791451
Fax: +44 (0)1257 794979
sales@screenetek.co.uk

Screenetek International Ltd
Chapel Lane Business Park
Coppull
Chorley
Lancashire
PR7 4NB



Jump	Page 4
Flite	Page 8
Velo	Page 12
Softline	Page 16
Acrylic	Page 20
Sprint	Page 24
Marathon	Page 30
Marathon Pods	Page 36
Podium	Page 40
Screen Dimensions	Page 44
Brackets	Page 47



Jump

Traditional screen system
Side sewn, silver or black linking
Desk mounted or freestanding

35mm Thick
2, 3 or 4 way linking
Mobile screen option



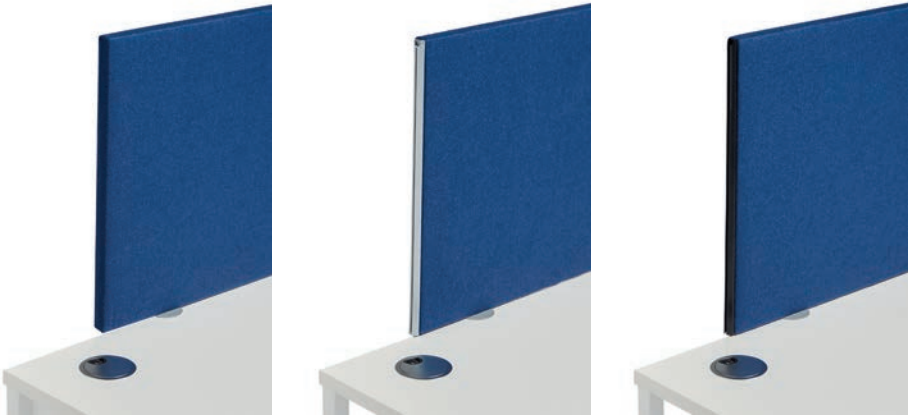


Jump

Traditional screen system
Side sewn, silver or black linking
Desk mounted or freestanding

35mm Thick
2, 3 or 4 way linking
Mobile screen option

Edge Detail



Side Sewn

Silver Linking

Black Linking

Desk Mounted



Straight Top

Curved Top

Wave Top

Freestanding



Straight Top

Curved Top

Wave Top

Accessories



Screen Saddle

Pen Pot

A4 Letter Tray

Small Binder Box

Medium Binder Box

Large Binder Box



Flite

Contemporary PVC trimmed screen
White, silver or graphite trim
Desk mounted or freestanding

28mm thick
Return screen available
Mobile screen option



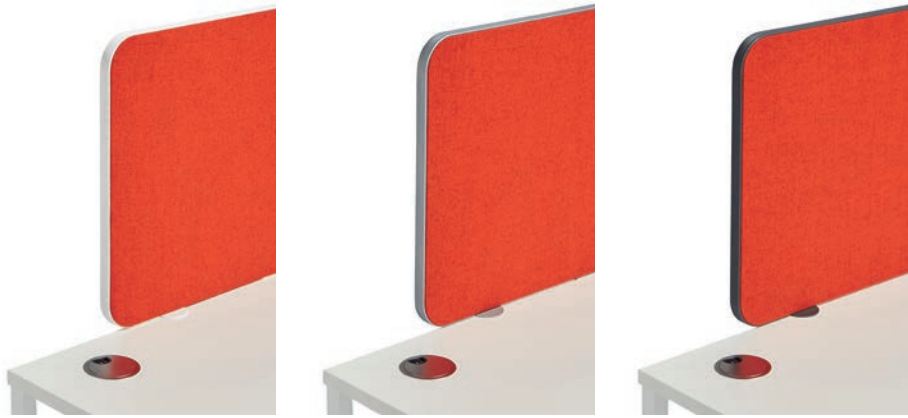


Flite

Contemporary PVC trimmed screen
White, silver or graphite trim
Desk mounted or freestanding

28mm thick
Return screen available
Mobile screen option

Edge Detail



White PVC Trim

Silver PVC Trim

Graphite PVC Trim

Desk Mounted



Straight Top

Curved Top

Wave Top

Freestanding



Straight Top

Curved Top

Wave Top

Accessories



Screen Saddle

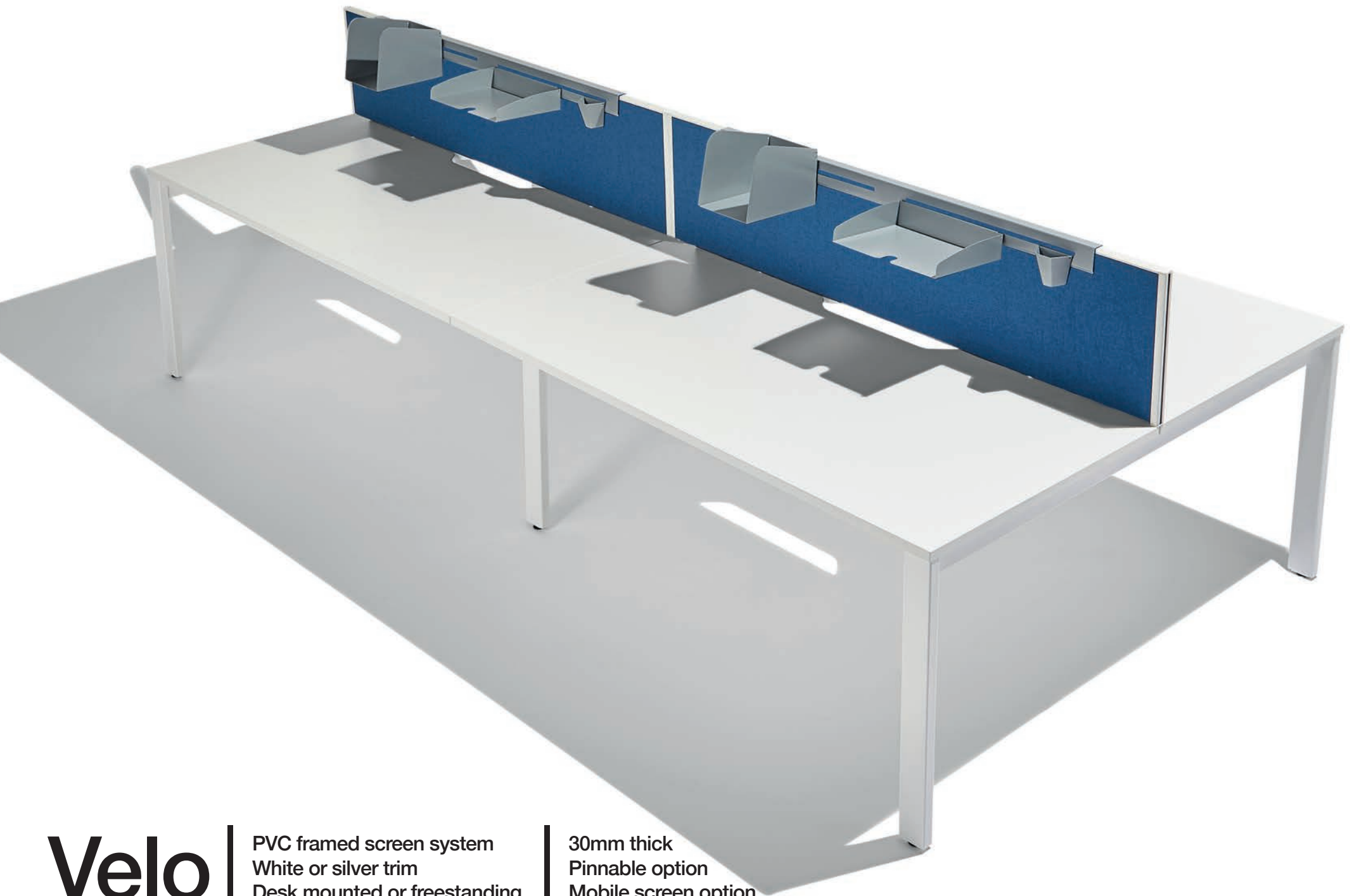
Pen Pot

A4 Letter Tray

Small Binder Box

Medium Binder Box

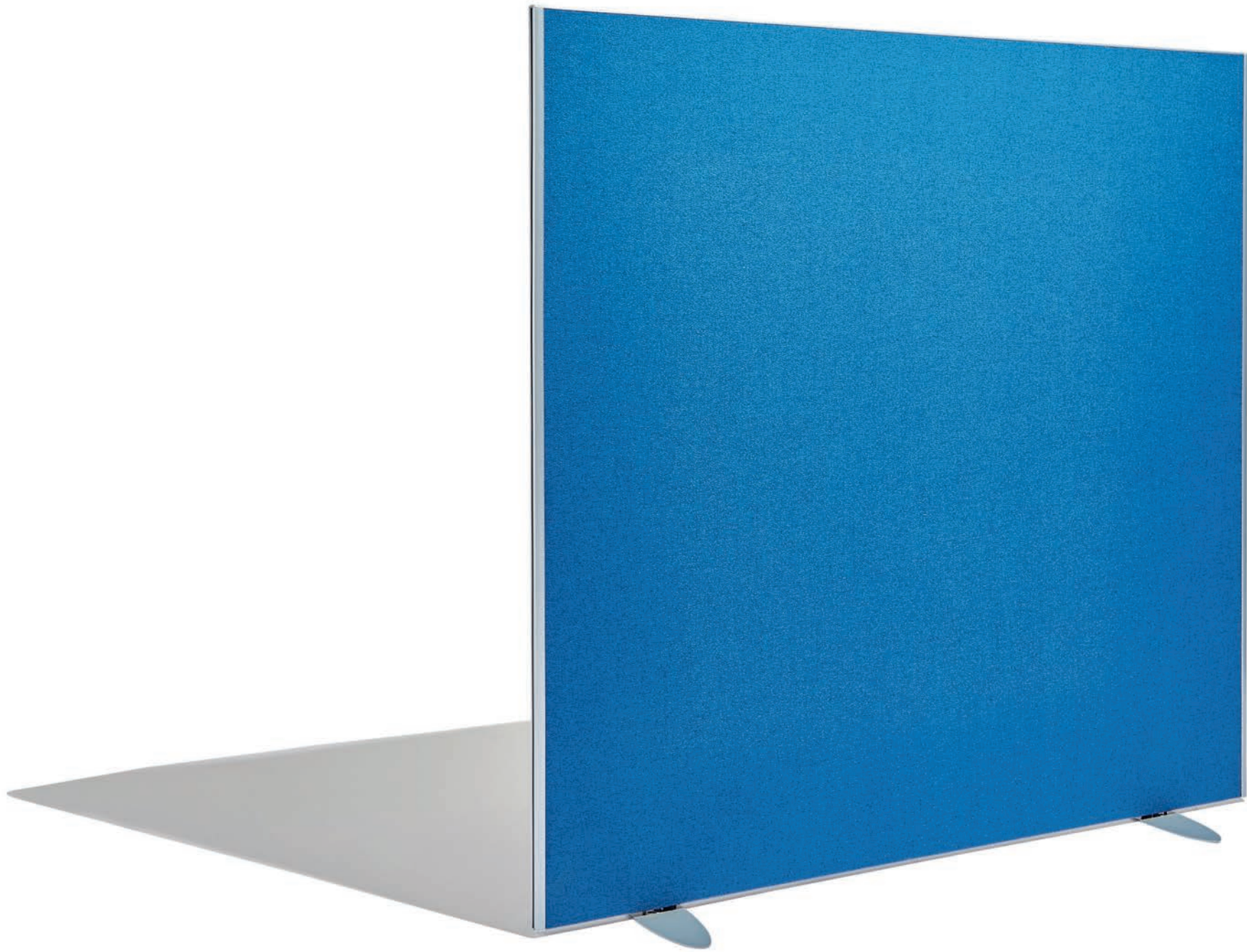
Large Binder Box



Velo

PVC framed screen system
White or silver trim
Desk mounted or freestanding

30mm thick
Pinnable option
Mobile screen option





Velo |

PVC framed screen system
White or silver trim
Desk mounted or freestanding

| 30mm thick
Pinnable option
Mobile screen option

End Post Detail



White Plastic Trim



Silver Plastic Trim

Desk Mounted



Straight Top



Curved Top



Wave Top

Freestanding



Straight Top



Curved Top



Wave Top

Accessories



Screen Saddle



Pen Pot



A4 Letter Tray



Small Binder Box



Medium Binder Box



Large Binder Box



Softline

Contemporary fabric trimmed screens
Pinnable as standard
Desk mounted or freestanding

37mm thick
Return screen available
Mobile screen option





Softline

Contemporary fabric trimmed screens
Pinnable as standard
Desk mounted or freestanding

37mm thick
Return screen available
Mobile screen option

Edge Detail



Contrasting Fabric Trim

Desk Mounted



Straight Top



Curved Top



Wave Top

Freestanding



Straight Top



Curved Top



Wave Top

Accessories



Screen Saddle



Pen Pot



A4 Letter Tray



Small Binder Box



Medium Binder Box



Large Binder Box



Acrylic

Profiled acrylic screens
Desk mounted or fly-by
5mm thick

Polished edges
Radiused corners
Return option





Acrylic

Profiled acrylic screens
Desk mounted or fly-by
5mm thick

Polished edges
Radiused corners
Return option

Mounting Detail

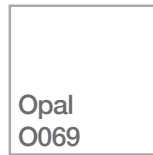
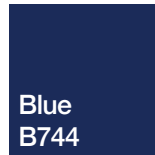
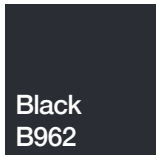


Desk Mounted

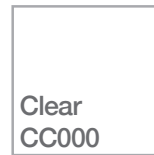
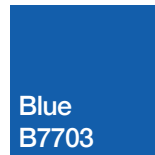
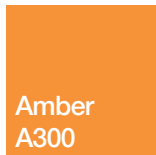
Fly-By Mounted

Perspex Colours

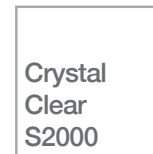
SOLID PERSPEX



CLEAR PERSPEX



FROSTED PERSPEX



Desk Mounted



Straight Top



Curved Top



Wave Top

Fly-By Mounted



Straight Top



Curved Top



Wave Top



Sprint

Aluminium framed screen system
White, silver or graphite trim
Desk mounted or freestanding

30mm thick
Single or triple toolrail
Glazed or part glazed

Mobile screen option
Pinnable option



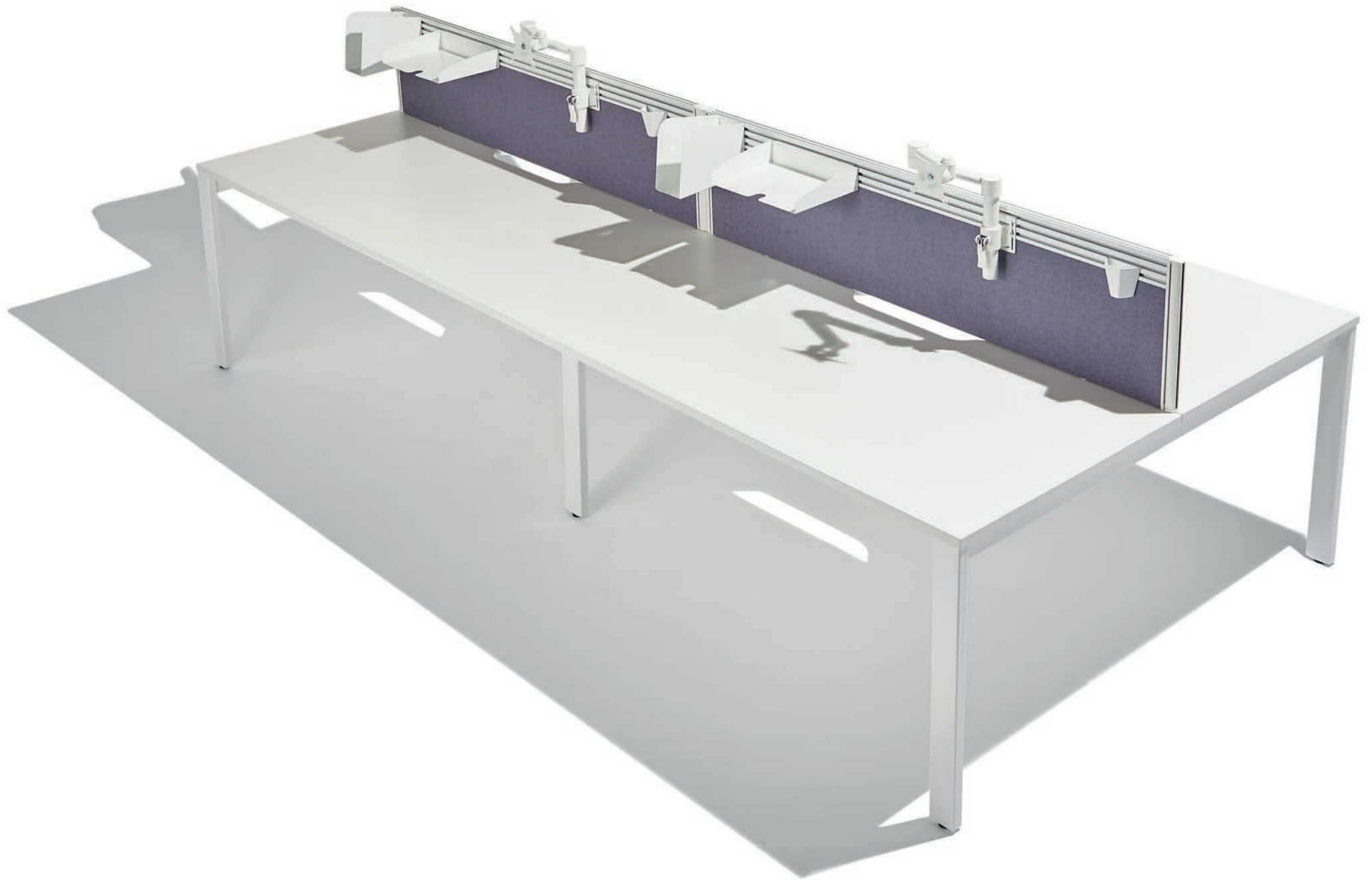


Sprint

Aluminium framed screen system
White, silver or graphite trim
Desk mounted or freestanding

30mm thick
Single or triple toolrail
Glazed or part glazed

Mobile screen option
Pinnable option





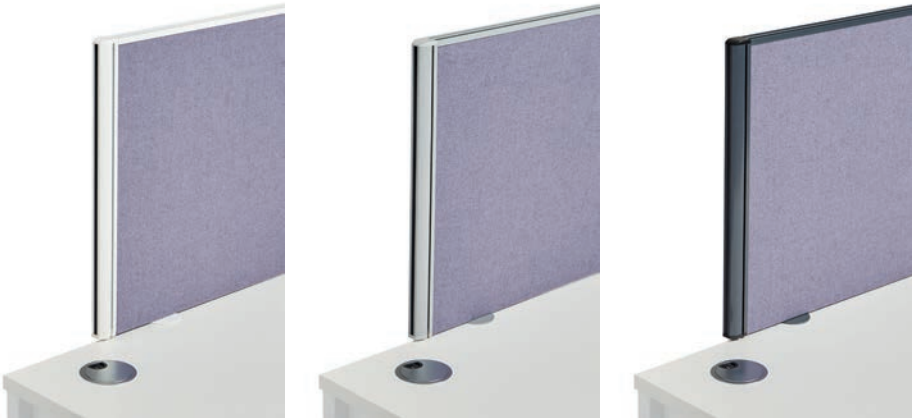
Sprint

Aluminium framed screen system
White, silver or graphite trim
Desk mounted or freestanding

30mm thick
Single or triple toolrail
Glazed or part glazed

Mobile screen option
Pinnable option

End Post Detail



White Aluminium Trim

Silver Aluminium Trim

Graphite Aluminium Trim

Desk Mounted



Straight Top

Curved Top

Wave Top

Freestanding



Straight Top

Curved Top

Wave Top

Accessories



Pen Pot

A4 Letter Tray

Small Binder Box

Medium Binder Box

Large Binder Box

Monitor Arm



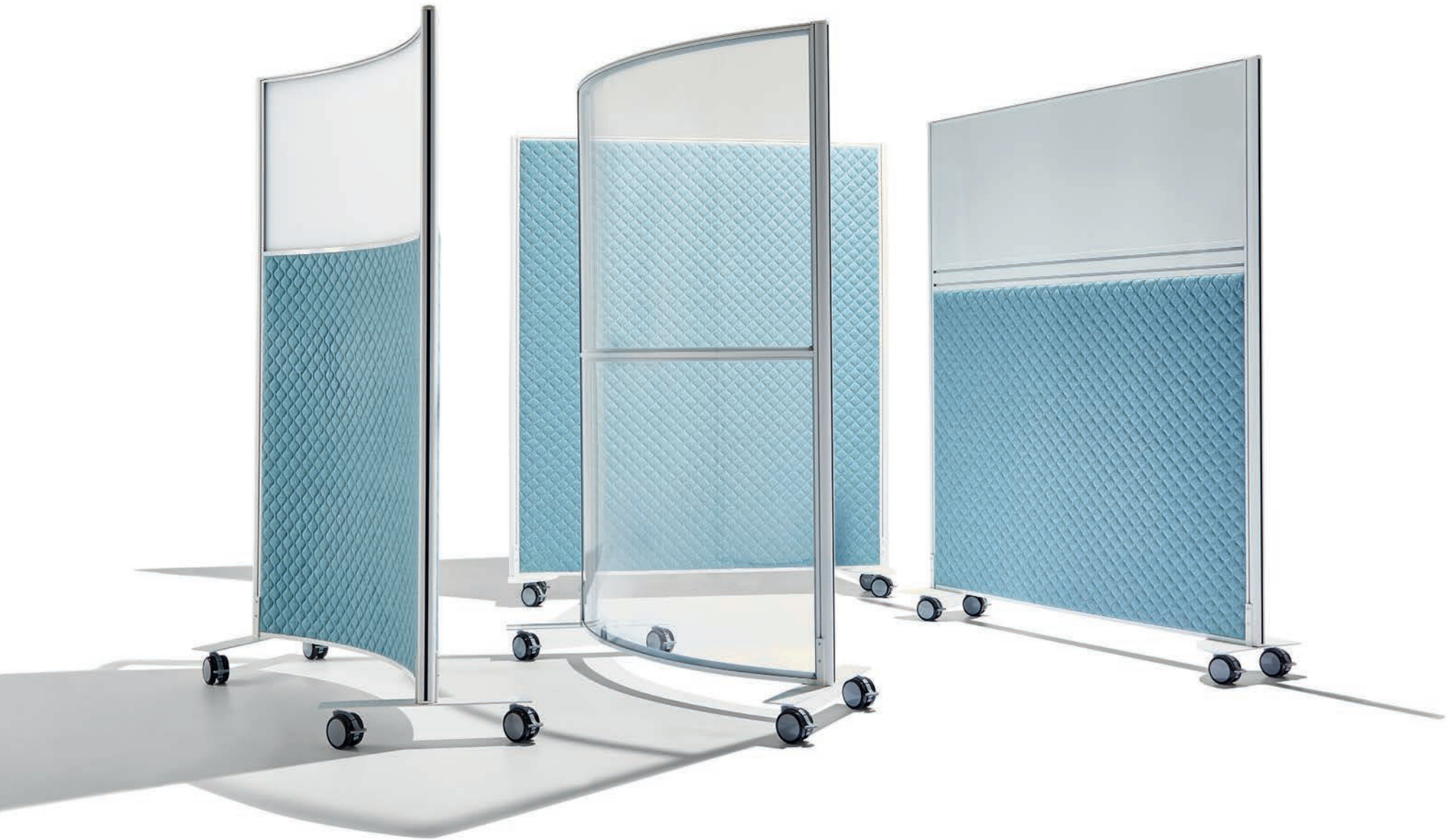
Marathon

Aluminium framed screen system
White or silver trim
Desk mounted or freestanding

Curved and straight screens
40mm thick
Double toolrail option

Glazed or part glazed options
Acoustic and pinnable as standard
Mobile screen option





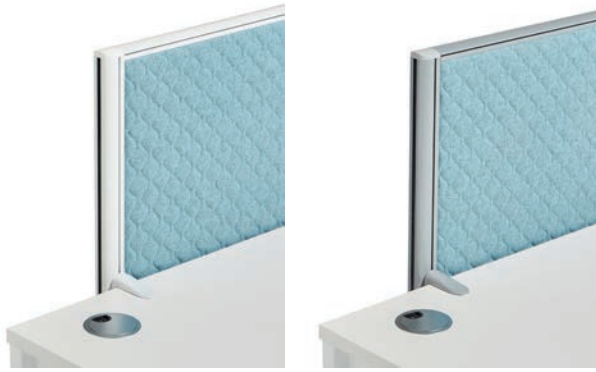
Marathon

Aluminium framed screen system
White or silver trim
Desk mounted or freestanding

Curved and straight screens
40mm thick
Double toolrail option

Glazed or part glazed options
Acoustic and pinnable as standard
Mobile screen option

End Post Detail



White Aluminium Trim

Silver Aluminium Trim

Fly-By Mounted



Straight Top

Freestanding



Straight Top

Curved Pod



Straight Top

Accessories



Pen Pot



A4 Letter Tray



Small Binder Box



Medium Binder Box



Large Binder Box



Monitor Arm

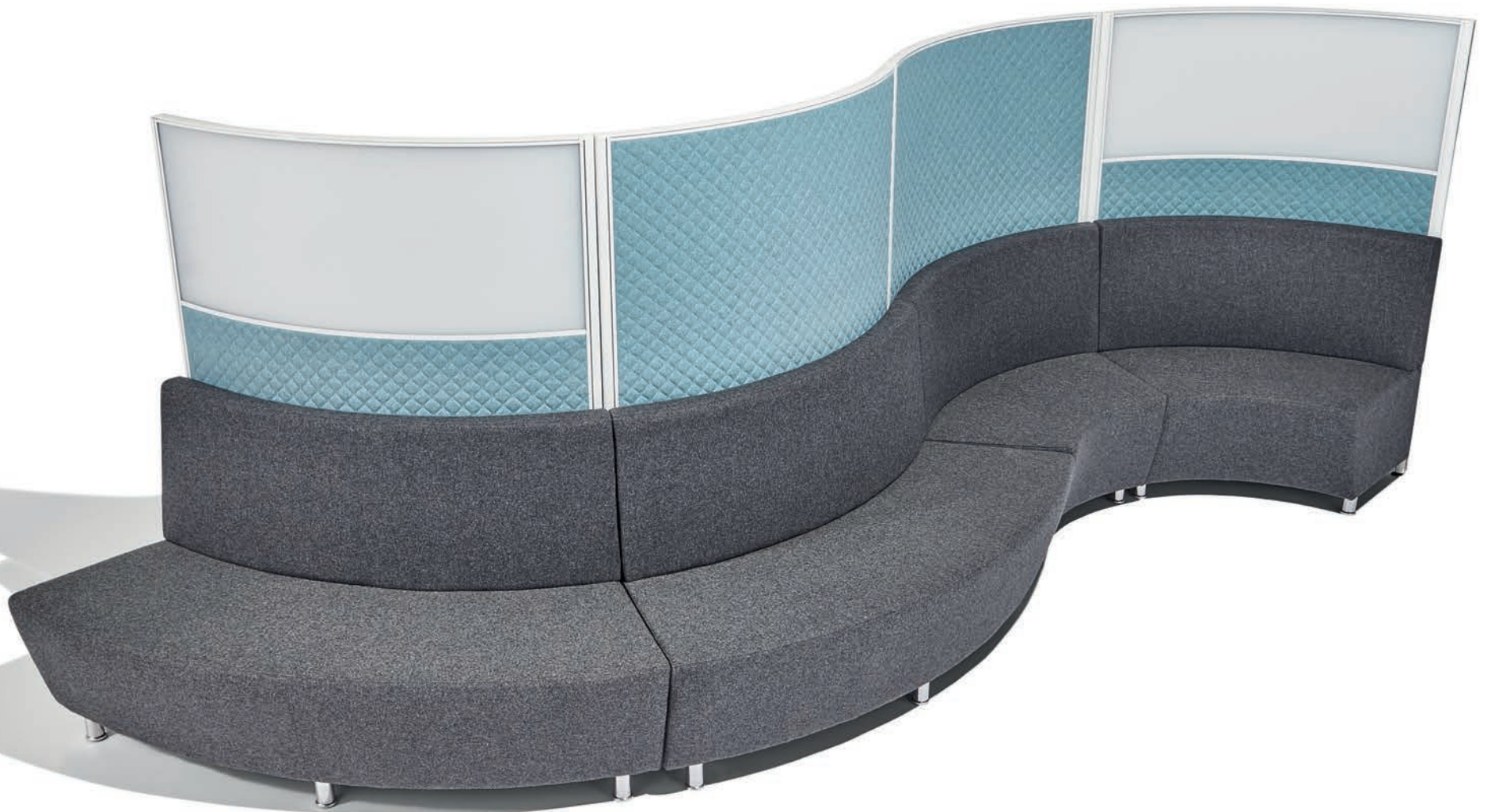


Marathon

Aluminium framed screen system
White or silver trim
Desk mounted or freestanding

Curved and straight screens
40mm thick
Double toolrail option

Glazed or part glazed options
Acoustic and pinnable as standard
Mobile screen option





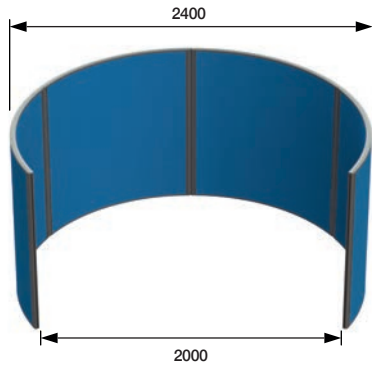
Marathon

Aluminium framed screen system
White or silver trim
Desk mounted or freestanding

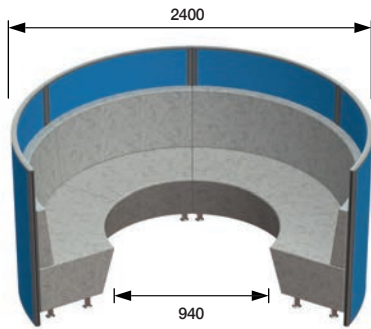
Curved and straight screens
40mm thick
Double toolrail option

Glazed or part glazed options
Acoustic and pinnable as standard
Mobile screen option

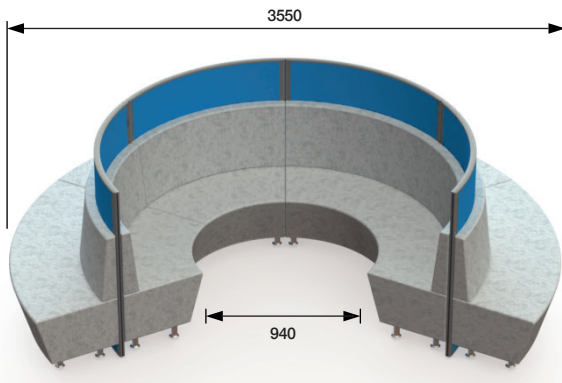
1200 Radius Pods



Components:
4 x R12 Screens

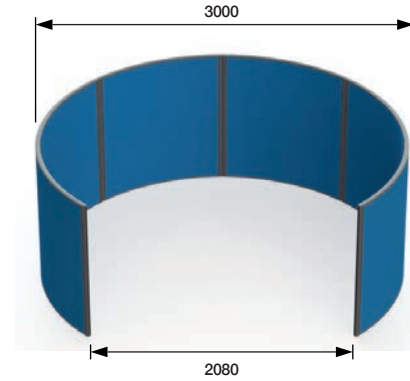


Components:
4 x R12 Screens
4 x R12 Internal Seats

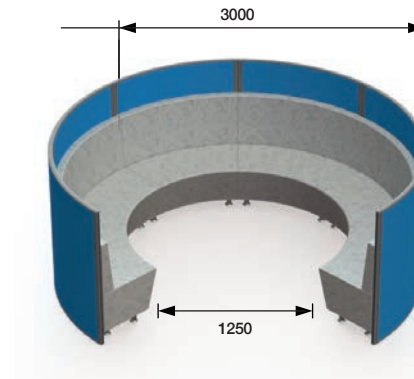


Components:
4 x R12 Screens
4 x R12 Internal Seats
4 x R12 External Seats

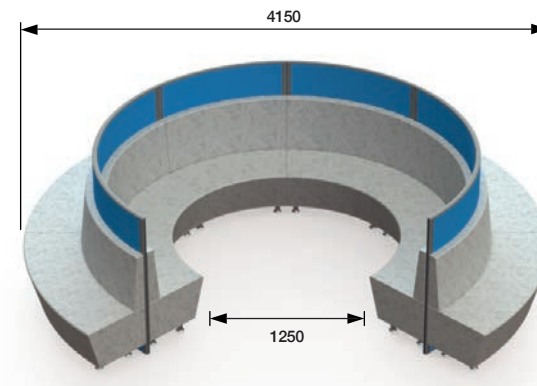
1500 Radius Pods



Components:
6 x R15 Screens

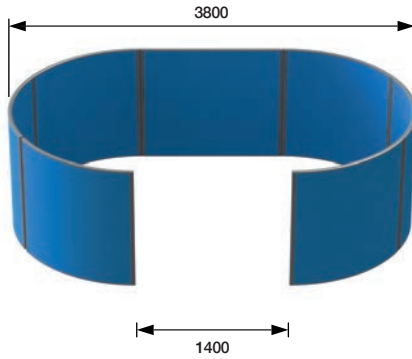


Components:
6 x R15 Screens
6 x R15 Internal Seats

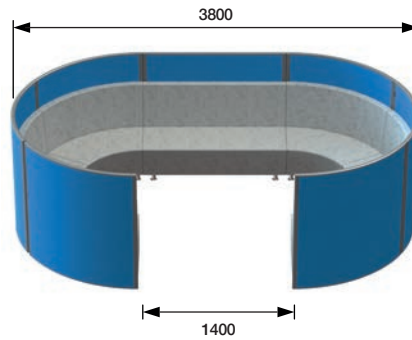


Components:
6 x R15 Screens
6 x R15 Internal Seats
6 x R15 External Seats

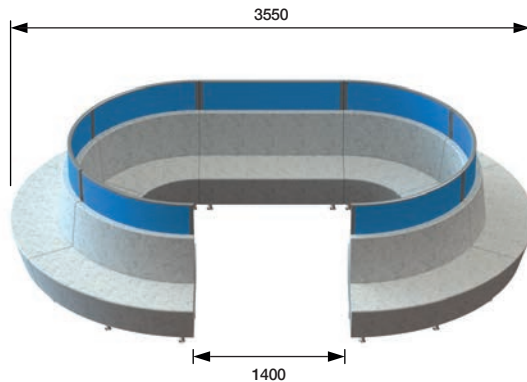
1200 Radius Pods



Components:
 6 x R12 Screens
 1 x 1400 Wide Screen

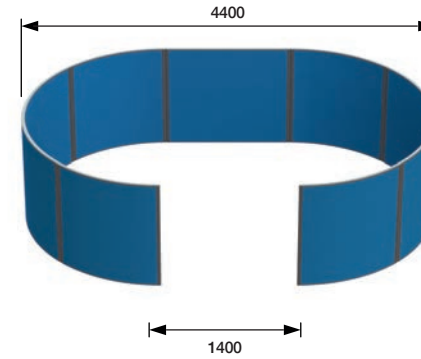


Components:
 6 x R12 Screens
 1 x 1400 Wide Screen
 6 x R12 Internal Seats
 1 x 1400 Wide Seat

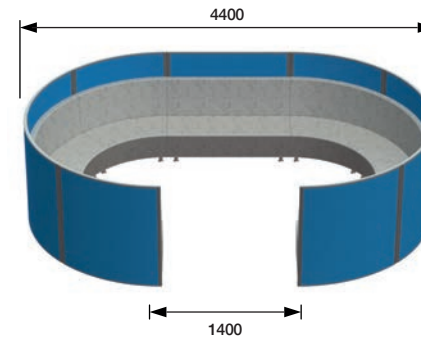


Components:
 6 x R12 Screens
 1 x 1400 Wide Screen
 6 x R12 Internal Seats
 6 x R12 External Seats
 2 x 1400 Wide Seats

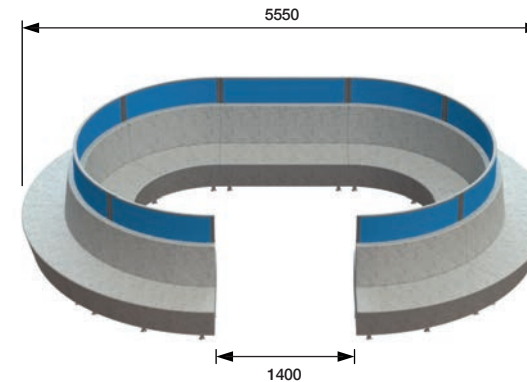
1500 Radius Pods



Components:
 8 x R15 Screens
 1 x 1400 Wide Screen

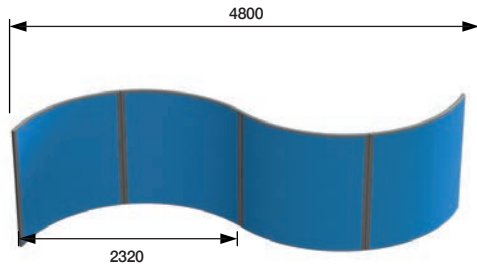


Components:
 8 x R15 Screens
 1 x 1400 Wide Screen
 8 x 15R Internal Seats
 1 x 1400 Wide Seat



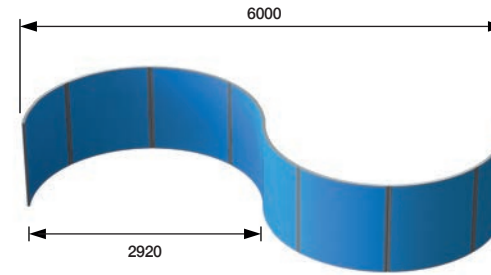
Components:
 8 x R15 Screens
 1 x 1400 Wide Screen
 8 x R15 Internal Seats
 8 x R15 External Seats
 2 x 1400 Wide Seats

1200 Radius Pods

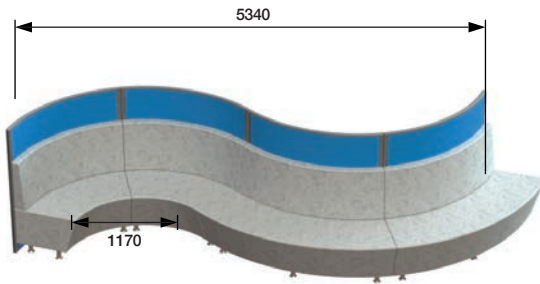


Components:
6 x R12 Screens

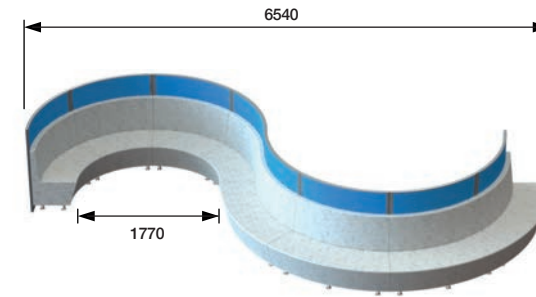
1500 Radius Pods



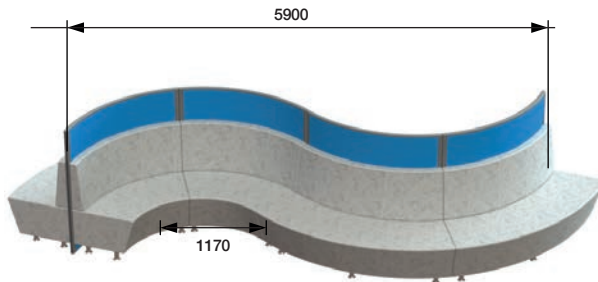
Components:
8 x R15 Screens



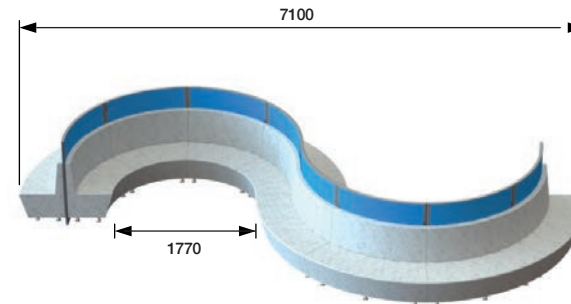
Components:
6 x R12 Screens
3 x R12 Internal Seats
3 x R12 External Seats



Components:
8 x R15 Screens
4 x R15 Internal Seats
4 x R15 External Seats



Components:
4 x 1200 Radius Screens
3 x R12 Internal Seats
3 x R12 External Seats



Components:
6 x R15 Screens
8 x R15 Internal Seats
8 x R15 External Seats



Podium

Aluminium base rail system
White or silver base rail
Fabric, acrylic or mesh screen





Podium |

Aluminium base rail system
White or silver base rail
Fabric, acrylic or mesh screen

Screen Type



Acrylic Screen



Radiused Fabric Screen



Straight Fabric Screen



Fabric Sleeve Screen

Base Rail Colours



White Base Rail



Silver Base Rail

Accessories



Pen Pot



A4 Letter Tray



Small Binder Box



Medium Binder Box



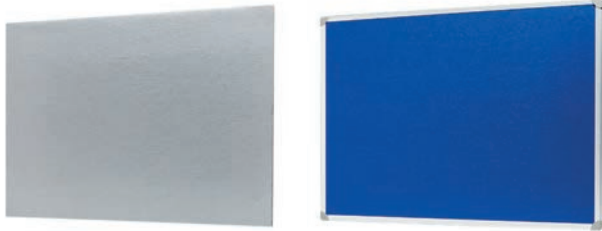
Large Binder Box



Monitor Arm



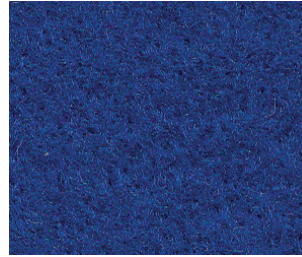
Notice Boards



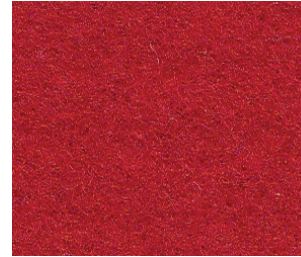
Unframed
Notice Board

Aluminium Framed
Notice Board

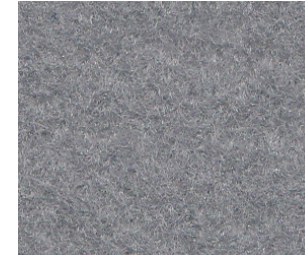
Standard Colours



Blue Felt



Red Felt



Grey Felt



Green Felt

Dry-Wipe Boards

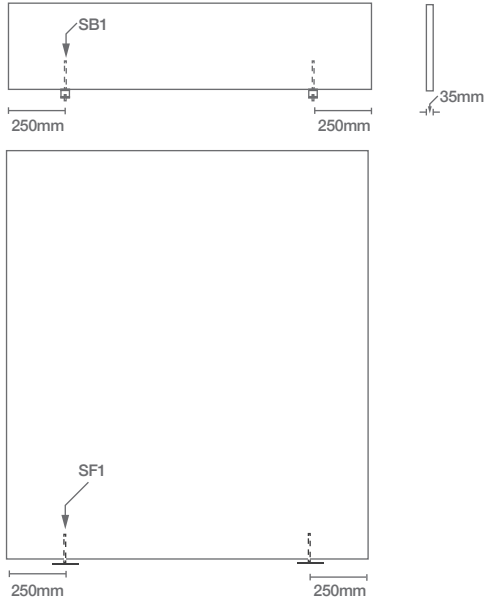


Dry-Wipe Board

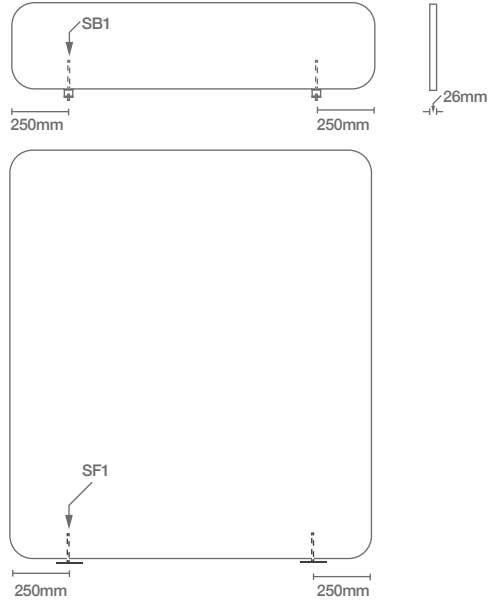
Magnetic
Dry-Wipe Board

Profile | Aluminium framed magnetic or
non-magnetic dry-wipe boards
Framed or unframed notice boards

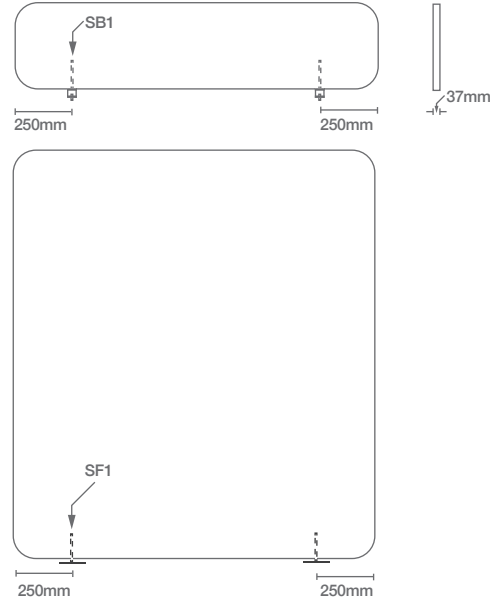
Jump



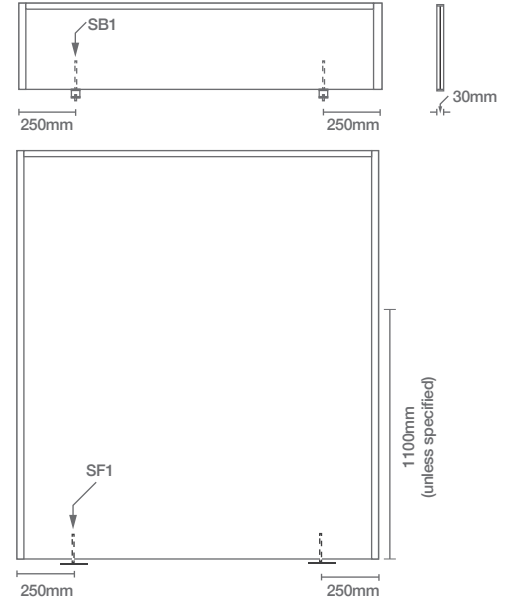
Flite



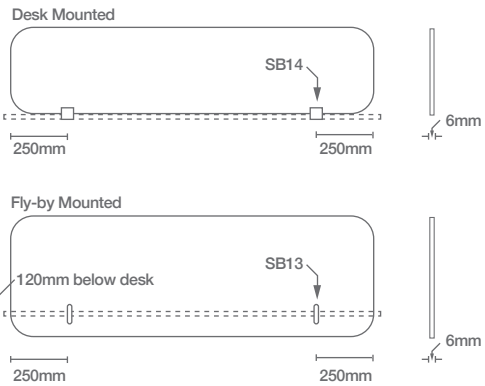
Softline



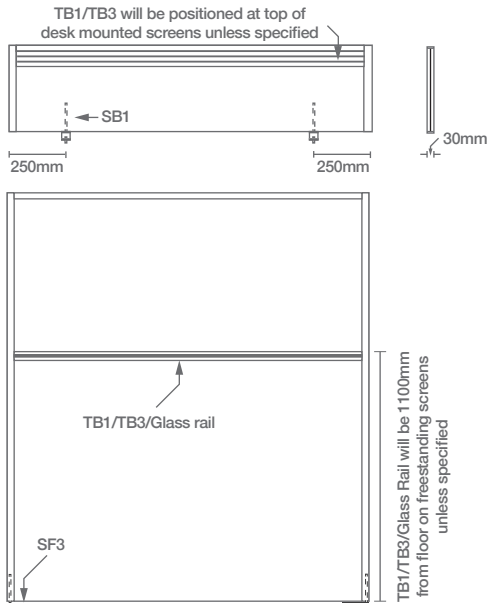
Velo



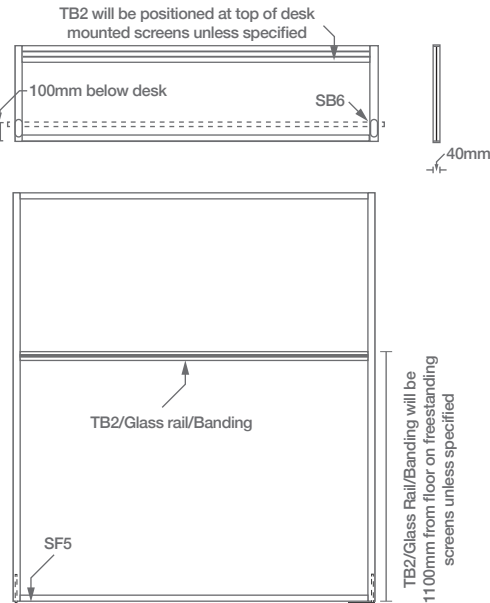
Acrylic



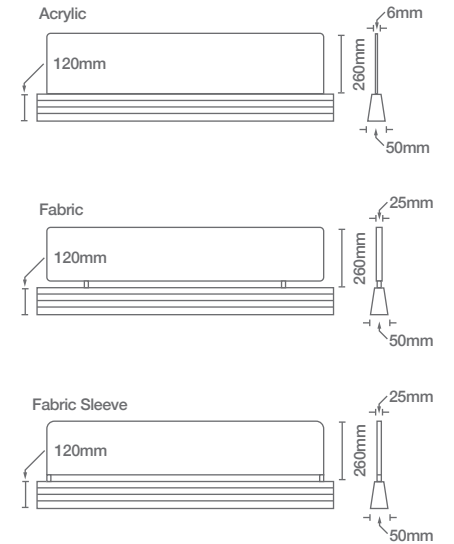
Sprint



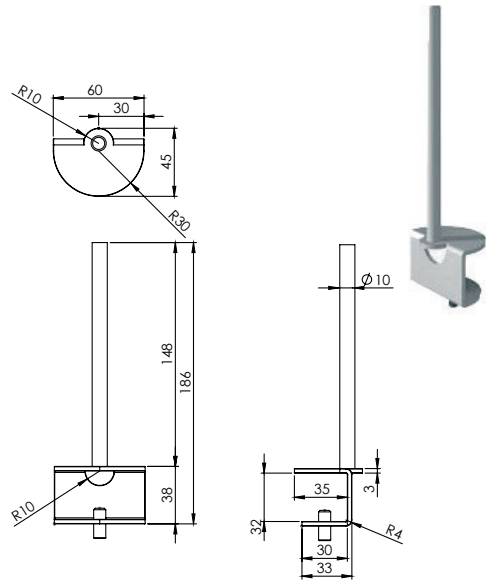
Marathon



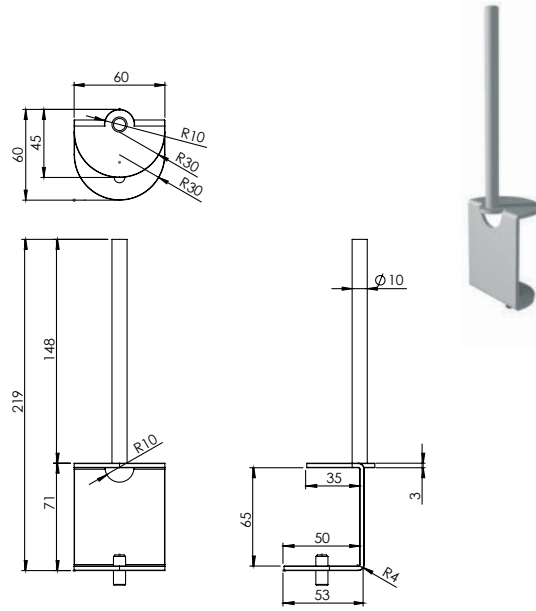
Podium



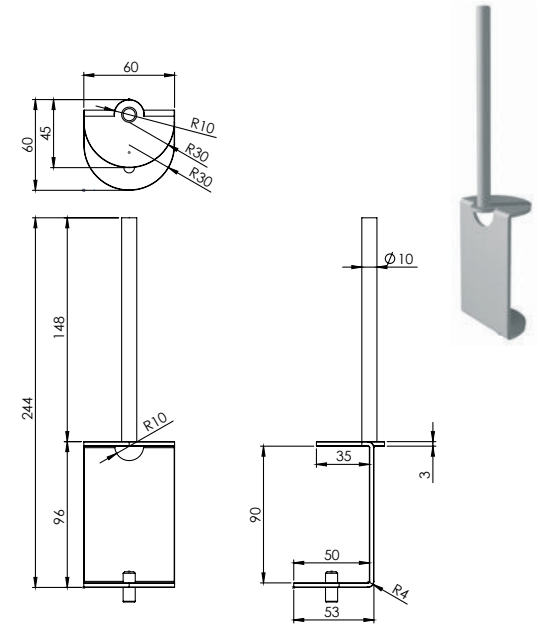
SB1



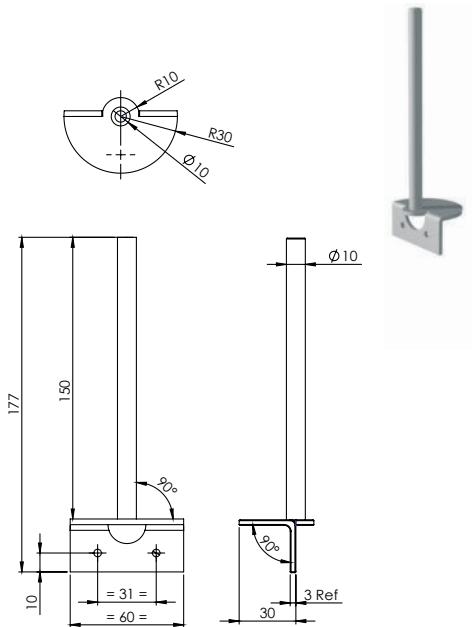
SB2



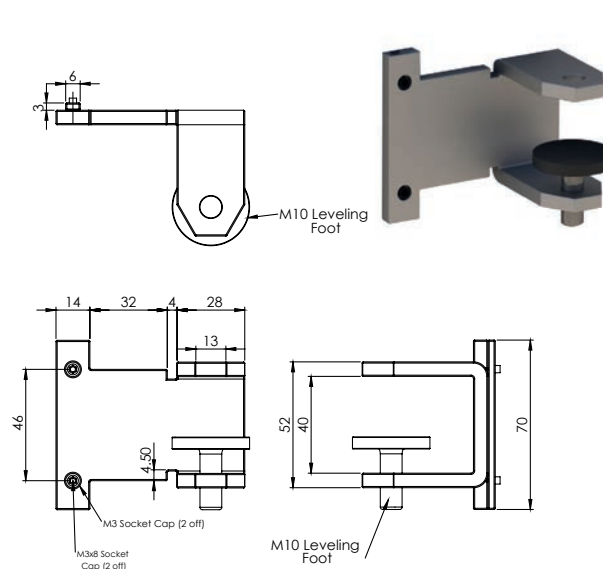
SB3



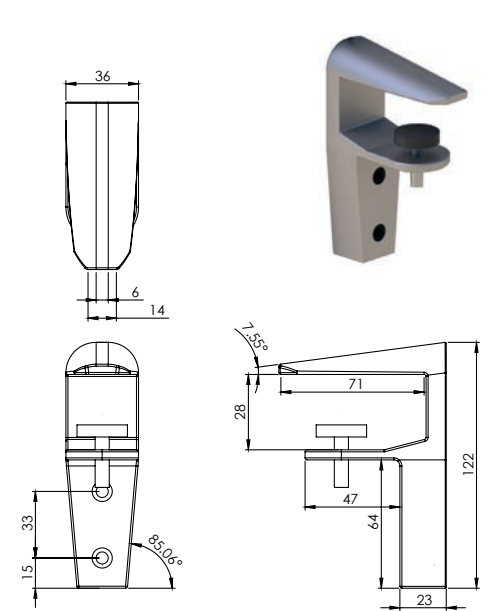
SB4



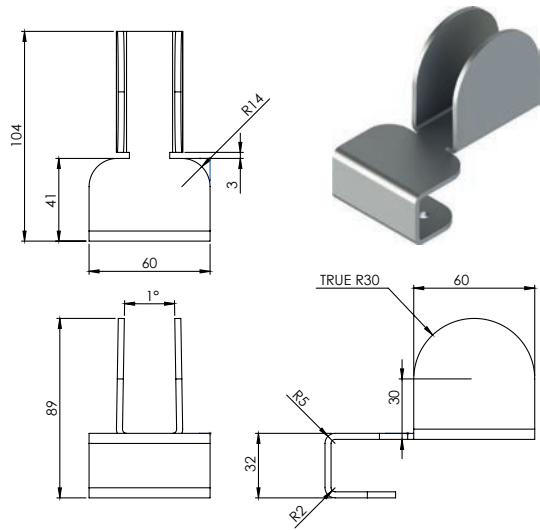
SB5



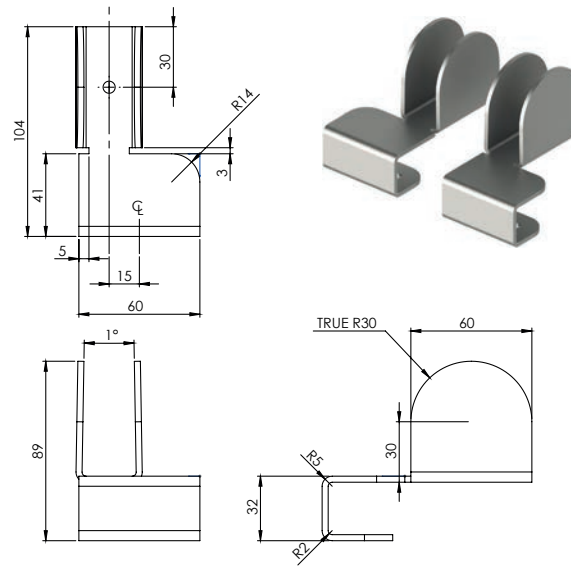
SB6



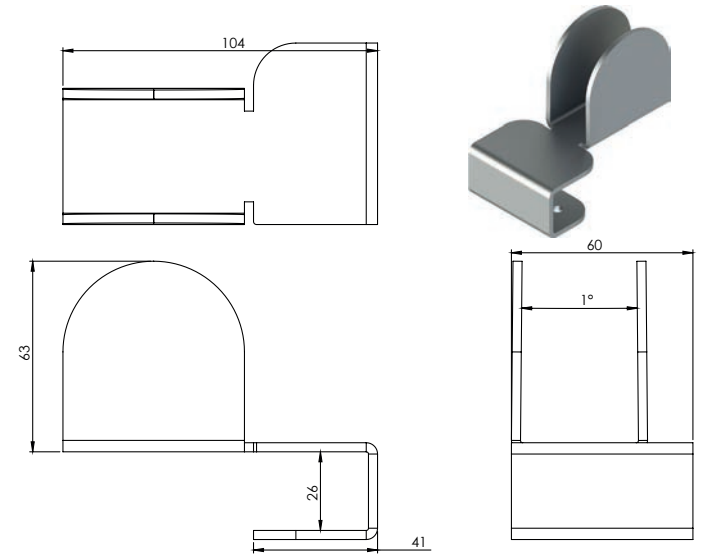
SB7



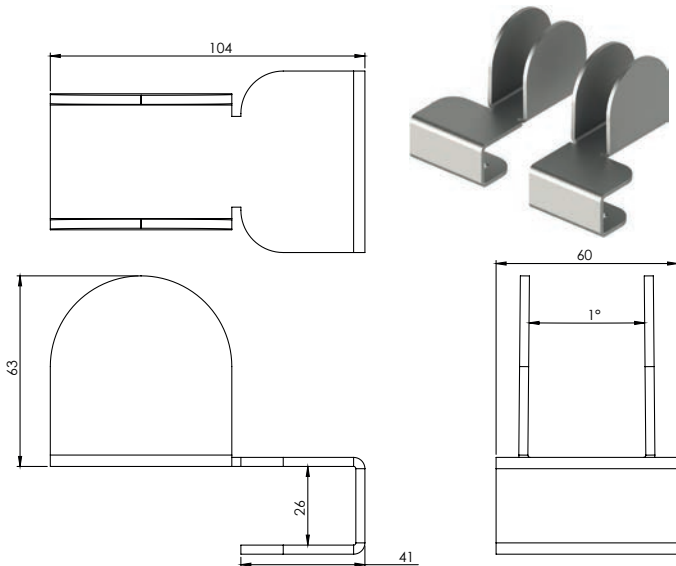
SB8



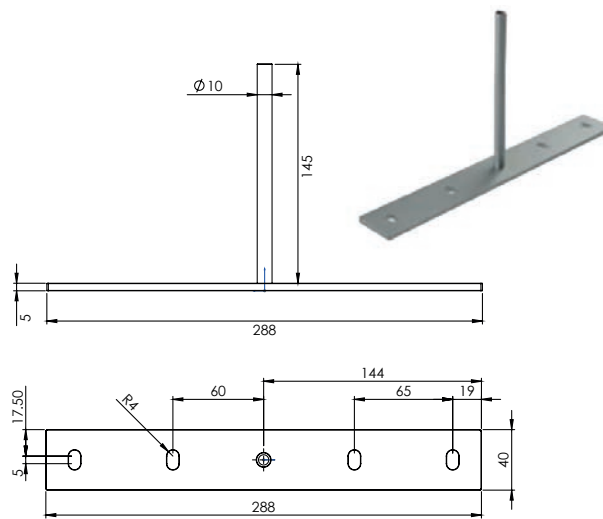
SB9



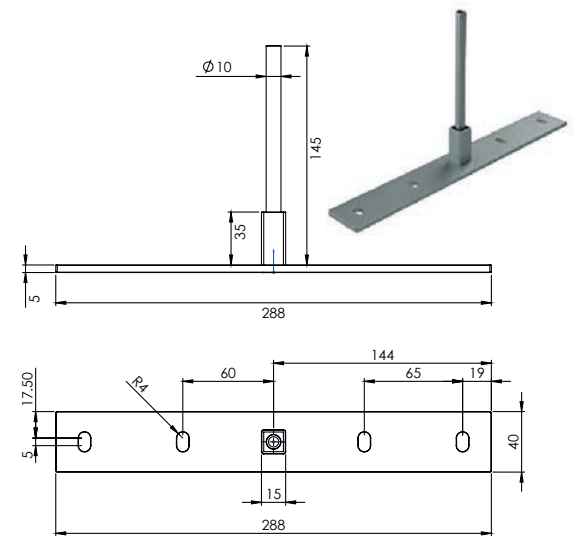
SB10



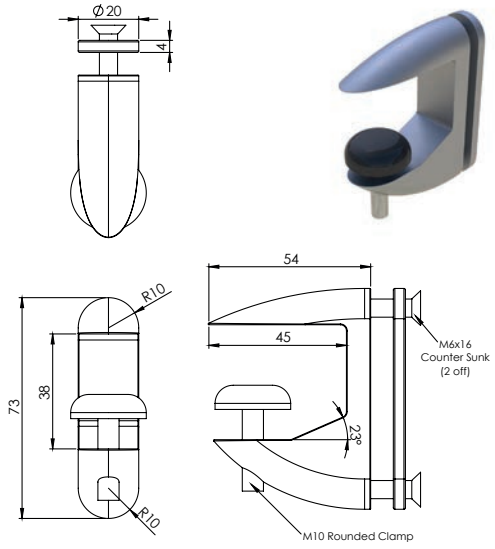
SB11



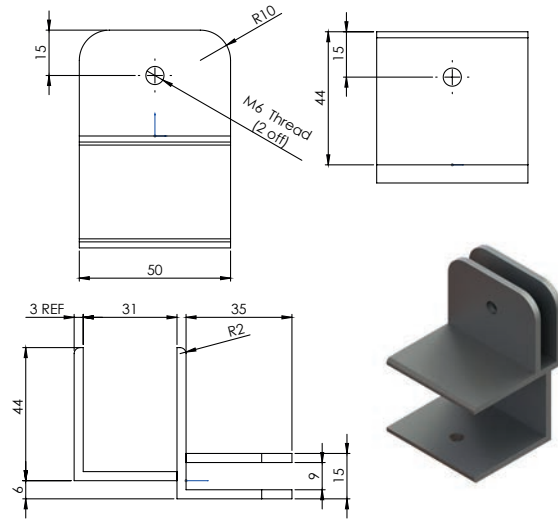
SB12



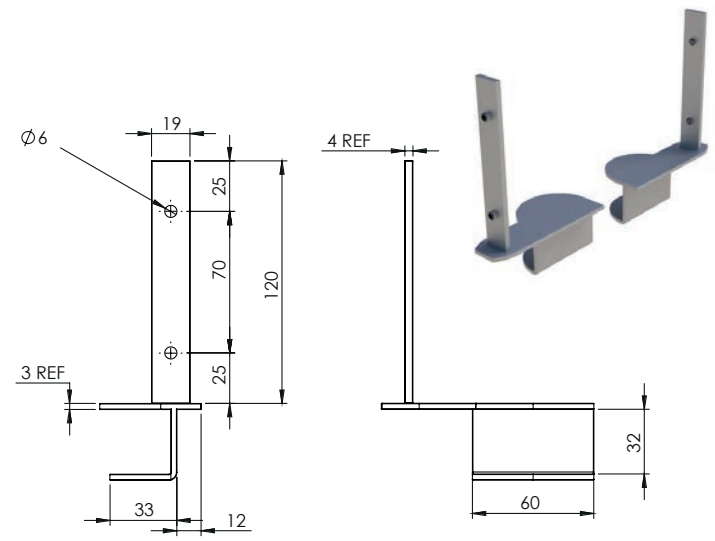
SB13



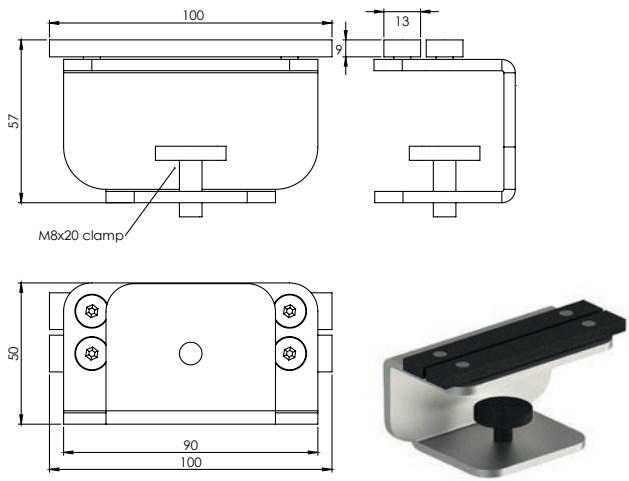
SB14



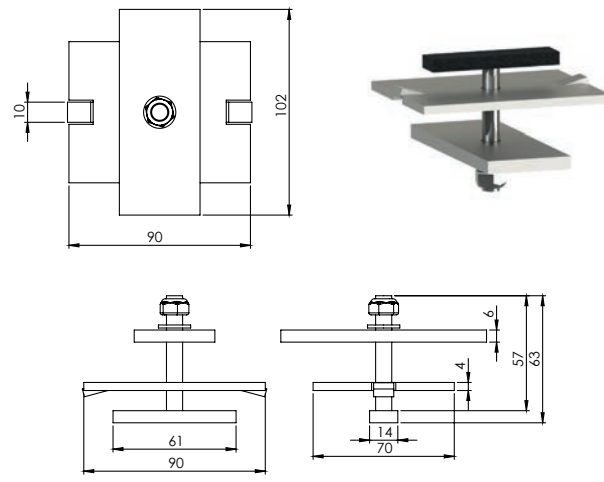
SB15



SB16



SB17



.StudioBooth



.StudioWork



For more information contact

Identity Furniture
www.identity-furniture.com

Tel: +44 (0)1257 791451
Fax: +44 (0)1257 794979
info@identity-furniture.com

Screentek International

www.screentek-international.com

Screentek International Ltd
Chapel Lane Business Park
Coppull
Chorley
Lancashire
PR7 4NB

Tel: +44 (0)1257 791451
Fax: +44 (0)1257 794979
info@identity-furniture.com

Company Registration No. 04594462

