



BioSync™ Biometric Fingerprint Readers

DATA SHEET

- High quality fingerprint readers in small, sleek, and attractive packages
- Available in fingerprint-only, fingerprint + card, and fingerprint + PIN
- Card reader models available with Keri NXT + HID 125 KHz Proximity or MIFARE/DESFire capabilities
- Stores up to 9500 fingerprint templates
- Multi-color LED bar to indicate access status
- Compatible with Keri's NXT Controllers and PXL-500W Tiger Controller
- Industry standard Wiegand output for compatibility with most 3rd party access control systems



KBF-1FP
BioSync
Fingerprint-only



KBF-2PR
BioSync Fingerprint + Proximity



KBF-3KP
BioSync Fingerprint + PIN

KBF-2SC
Fingerprint + Mifare

Keri's **BioSync™ Readers** provide reliable fingerprint reading in attractive and unobtrusive packages. Readers are available in fingerprint-only, fingerprint + card, and fingerprint + keypad versions. Typically used in higher security applications, they can be used either for primary user identification (fingerprint-only) or for secondary verification based on initial use of a card or PIN.

BioSync Readers are compatible with Keri's NXT controllers with an NXT-WI Wiegand Interface, PXL-500W Tiger Controller, and 3rd party controllers that accept Wiegand-type readers. The readers contain an internal beeper and an LED bar to indicate fingerprint accepted and access granted/denied status for user feedback. Keypad and Card models may be used outdoors with appropriate covers. Fingerprint template sharing between readers is done using RS-485 networking, with an option for TCP/IP. Keri's BioManager software is used for enrollment and template management.



www.kerisys.com

302 Enzo Drive • San Jose, California 95138 • email: sales@kerisys.com

Phone: 408-435-8400 • Toll Free: 800-260-5265 • Fax: 408-577-1792

BioSync™ Biometric Fingerprint Readers

DATA SHEET - Page 2 of 2

Specifications:

Sizes:

2.0" x 3.6" x 1"
(51mm x 92mm x 25mm)
BioSync FP
3.9" x 3.7" x 1.2"
(100mm x 95mm x 30mm)
BioSync KP, BioSync PR and
BioSync SC

Weight:

BioSync FP: 12oz (.332 kg)
BioSync KP: 1.1lb (.491 kg)
BioSync PR: 1.1lb (.491 kg)
BioSync SC: 1.1lb (.491 kg)

Material:

BioSync FP:
Molded Aluminum
BioSync KP:
Molded Aluminum
BioSync PR and BioSync SC:
ABS Plastic

Color:

Silver

Output:

Wiegand (8-128 bits, 26 default),
3' (1m) cable supplied

Connection Method:

TCP/IP to first unit,
RS-485 to subsequent units
(TCP/IP optional)

Programming:

Keri BioManager Software

Capacity:

9500 fingerprints

Sensor Type:

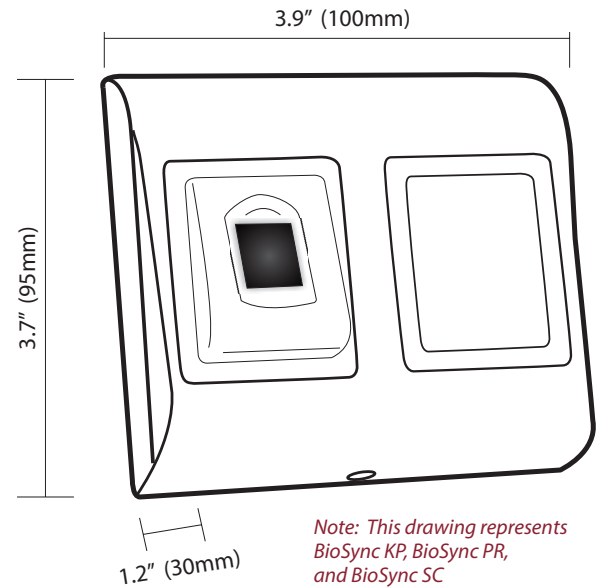
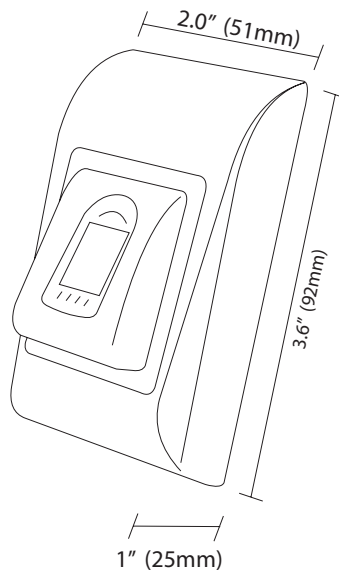
Capacitive

1:1000 Read Time:

970 msec

Supported Card Technologies:

Keri NXT and HID 125 KHz,
MIFARE Classic/Plus/Ultralight, DESFire
EM or AWID available upon request



Power Requirements:

KBF-1FP: +9-14VDC @ 100mA
KBF-2PR: +9-14VDC @ 120mA
KBF-2SC: +9-14VDC @ 200mA
KBF-3KP: +9-14VDC @ 130mA

Indicators:

Red Green Amber LED, Beeper

IP Rating:

BioSyncFP: IP54 (indoor only)
All other units: IP-65
(outdoor use with required covers)

Operating Temperature:

KBF-1FP:
32°F to 104°F
(0°C to + 40°C)

Others:

5°F to 122°F
(-15°C to + 50°C)

*Specifications are subject to change
without notice.*

ORDERING INFORMATION:

Model #	Description
KBF-1FP	Fingerprint-only Reader, indoor
KBF-2PR	Fingerprint + Proximity Reader, (Keri NXT + HID 125 KHz)
KBF-2SC	Fingerprint + MIFARE Reader (Classic/Plus, Ultralight, DESFire)
KBF-3KP	Fingerprint Reader + Keypad

RELATED PRODUCTS:

Model #	Description
KBF-CVR	Cover for KBF-2 and KBF-3 Readers
KBF-SGP	North American Single Gang Mounting Plate
KBF-DGP	North American Double Gang Mounting Plate
KBF-CNV	RS-485 to TCP/IP Converter
KBF-ENR	Fingerprint Enrollment Station
DNET-BIO	BioManager Software for fingerprint management



Presented By: