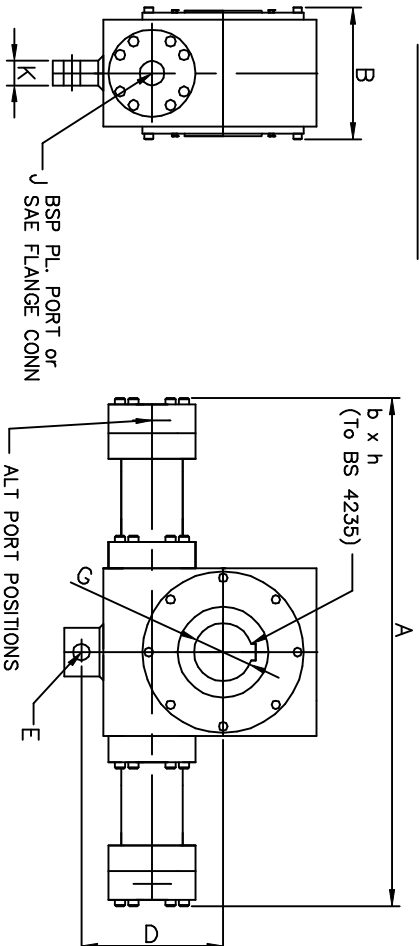
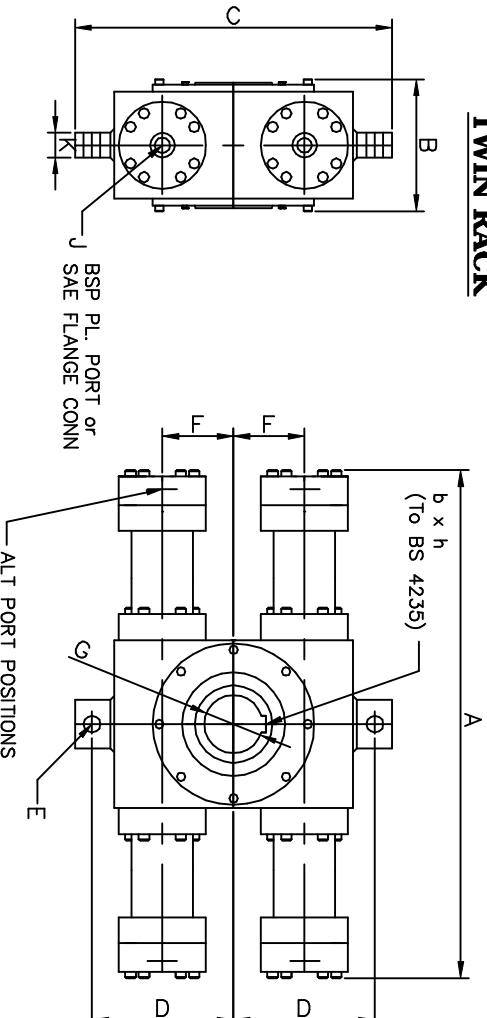


BRADFORD ROTARY ACTUATORS HRA RANGE

SINGLE RACK



TWIN RACK



Model Number	Torque lbs.in. @3,000 psi	Torque Nm @210 Bar	Rotation Degrees	A	B	C	D	E	F	G	b x h	J	K
RA 150	150,000	16941	90 180 360	660 900 1400	210	489	219	26	105	90	5.4 x 25		38
RA 600	600,000	67765	90 180 360	1050 1500 2400	285	729	327	38	165	140	8.4 x 36		57
RA 1,000	1,000,000	112941	90 180 360	1429 1848 2698	365	826	375	38	184	185	10.4 x 45		57
RA 1,500	1,500,000	169411	90 180 360	1779 2101 3054	419	914	419	38	210	203	12.4 x 50		57
RA 2,000	2,000,000	225882	90 180 360	1800 2355 3470	483	1048	479	45	238	240	12.4 x 56		64
RA 3,000	3,000,000	338823	90 180 360	1846 2405 3522	533	1162	530	50	257	248	12.4 x 56		76
RA 4,000	4,000,000	451763	90 180 360	1770 2480 3920	550	1380	593	57	288	286	12.4 x 63		90
RA 5,000	5,000,000	564704	90 180 360	1900 2700 4280	590	1391	638	57	310	318	14.4 x 70		90

Table dimensions are for standard actuators only. Output shafts can be male, female, keyed or plain ports can be BSP PL. or SAE flange type. Mountings can be varied to suit applications. Torque from single rack models is 0.5 x torque from double rack model.

Product improvement is a basic Bradford Cylinders policy... all dimensions are subject to change without notice.