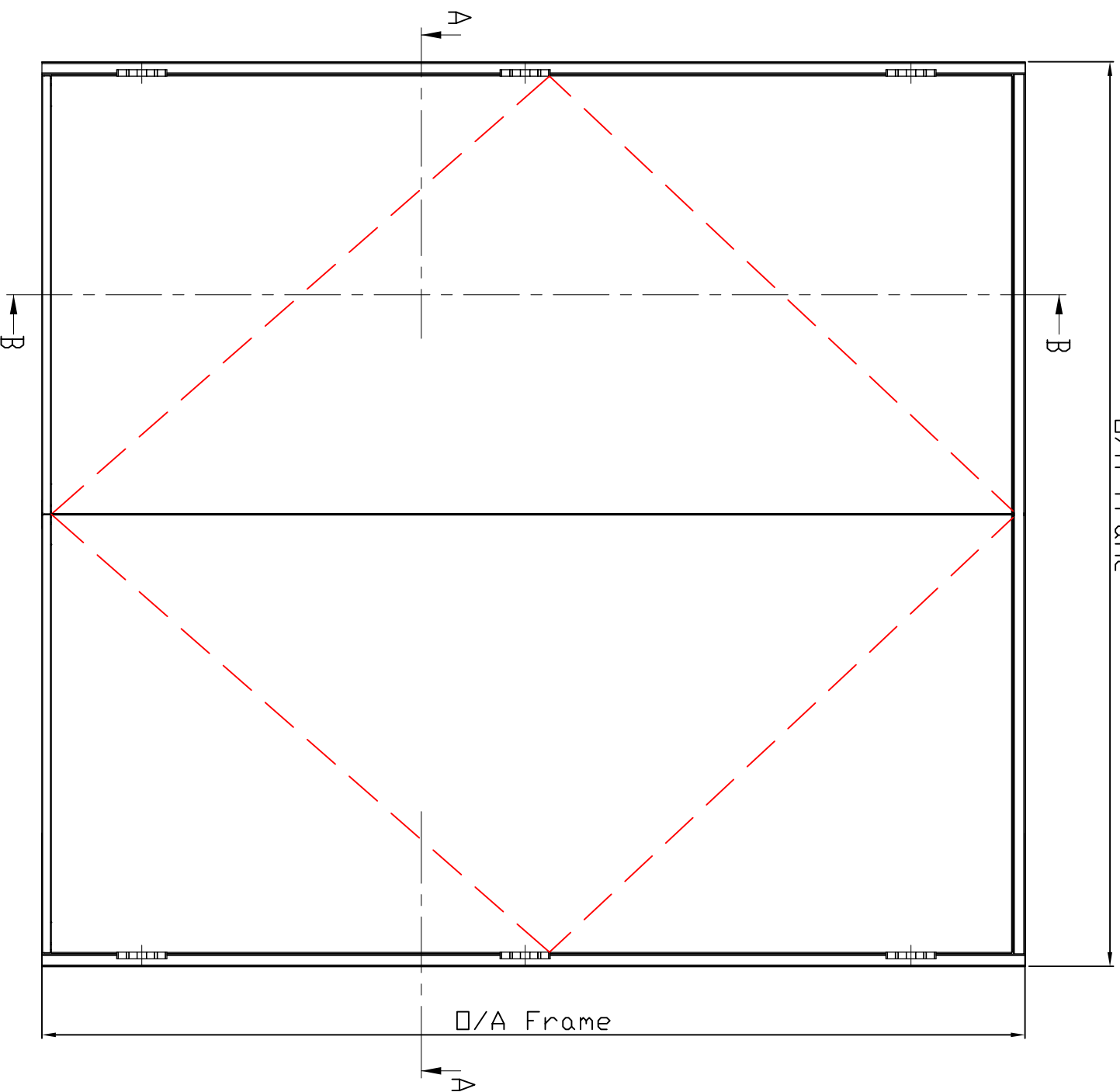
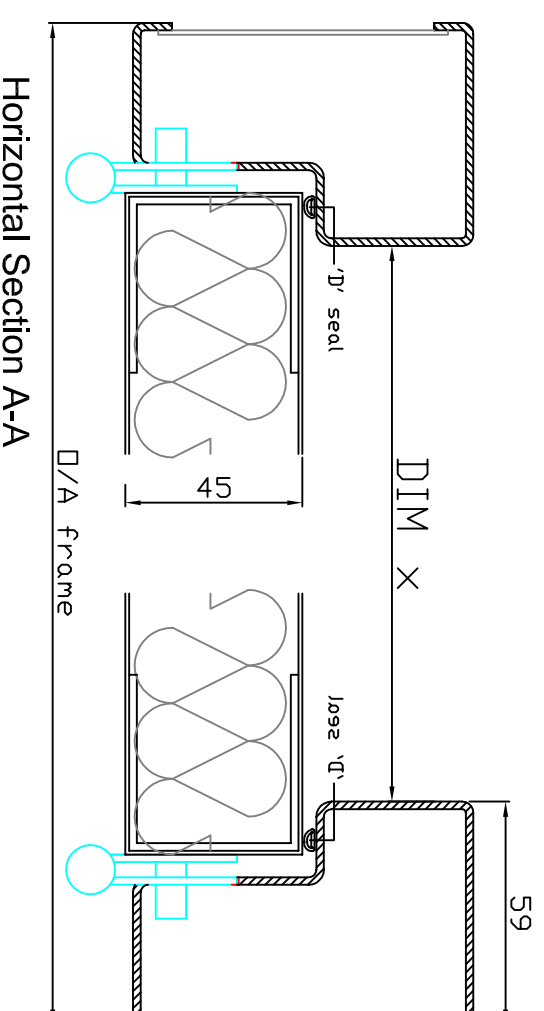


□/ A frame

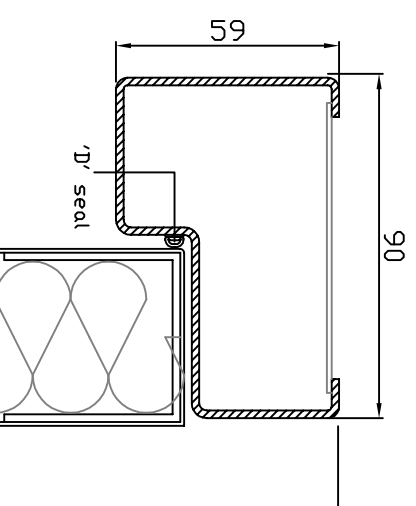


Door Elevation

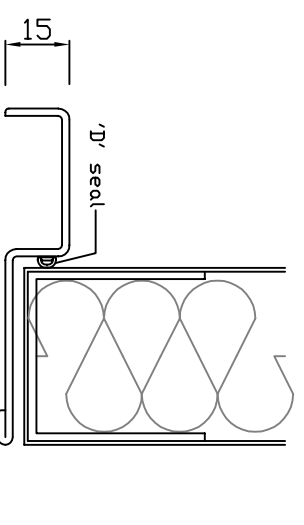
Dim X = Clear Opening
 subtract 118mm from O/A frame when leaves are open to 180 deg.
 subtract 186mm from O/A frame when leaves are open to 90 deg.
 (excluding hardware)



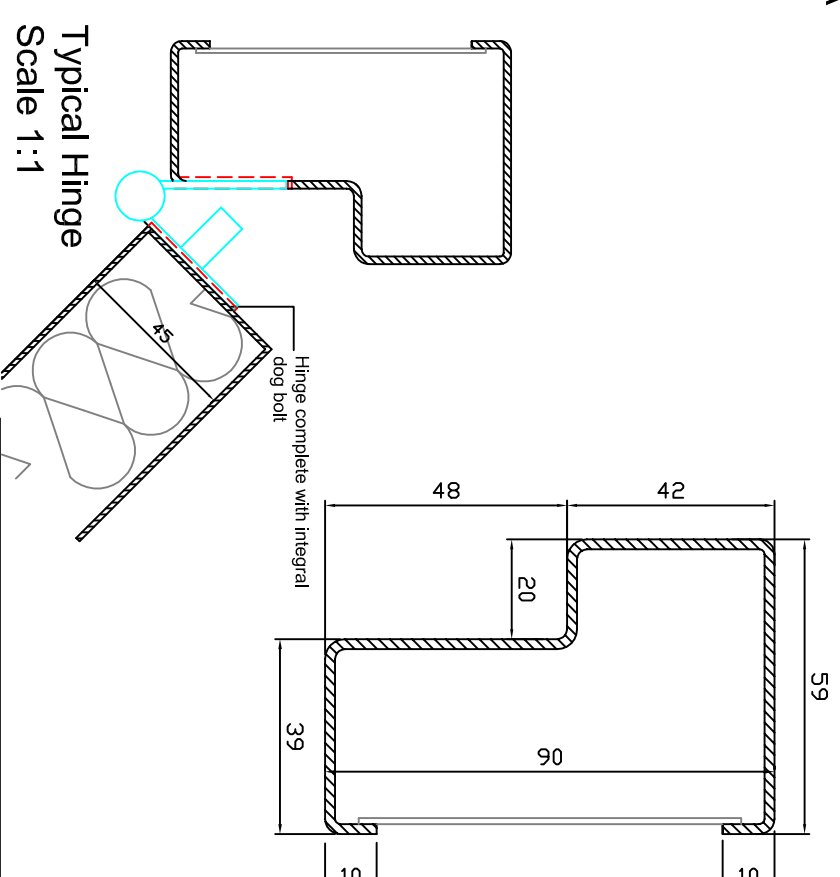
Horizontal Section A-A



□/ A frame



Vertical Section B-B



Typical Hinge
 Scale 1:1

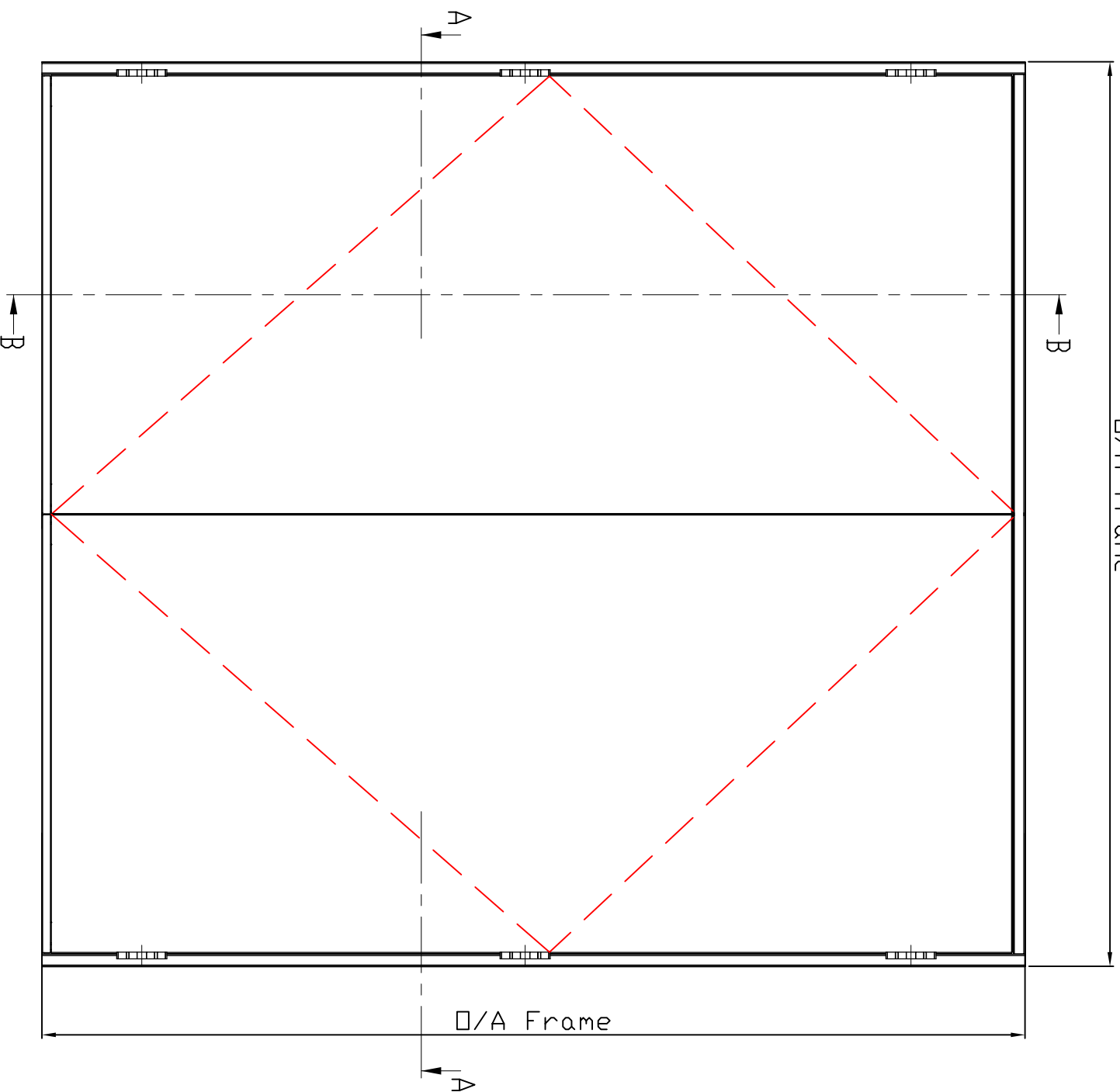


Title **300 SERIES STANDARD DRAWING**
CAD DETAILS - DOUBLE DOOR

Scale NTS Size A3
 Date MARCH 2012
 DRAWING NO. **Standard - 300 SERIES**

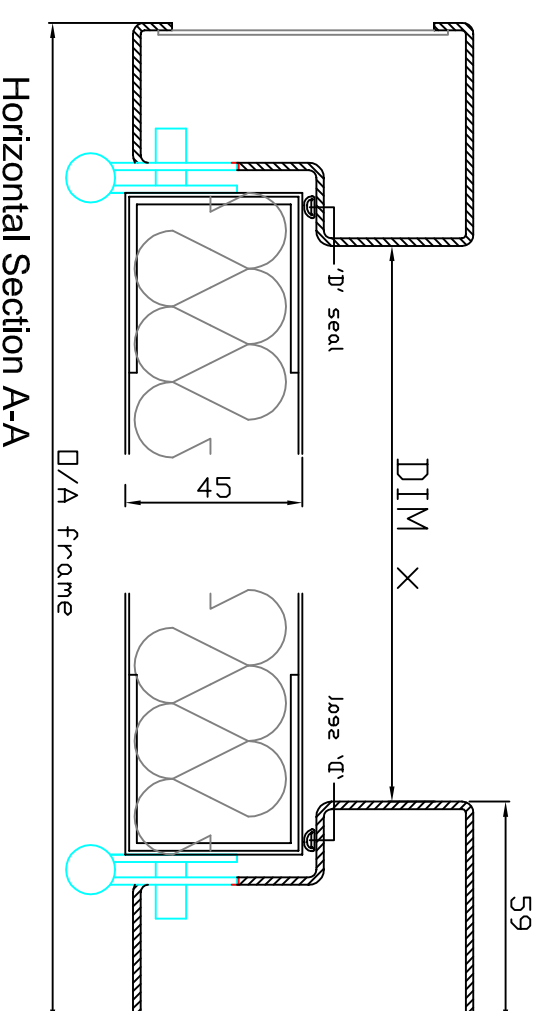
Revision

□/□ frame

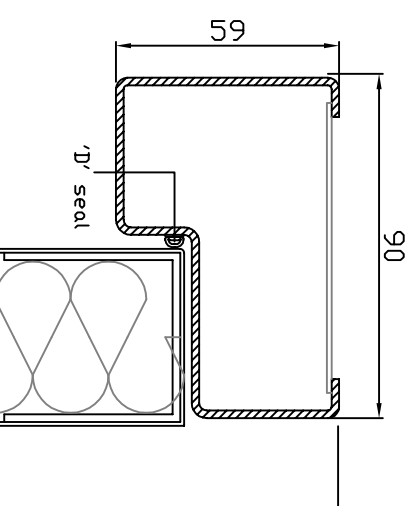


Door Elevation

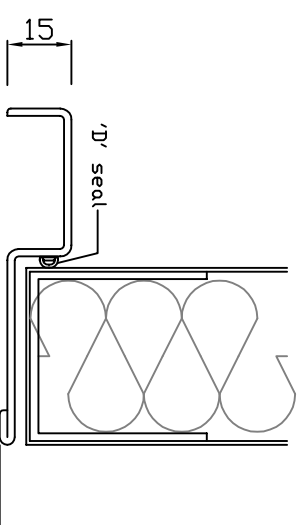
Dim X = Clear Opening
 subtract 118mm from O/A frame when leaves are open to 180 deg.
 subtract 186mm from O/A frame when leaves are open to 90 deg.
 (excluding hardware)



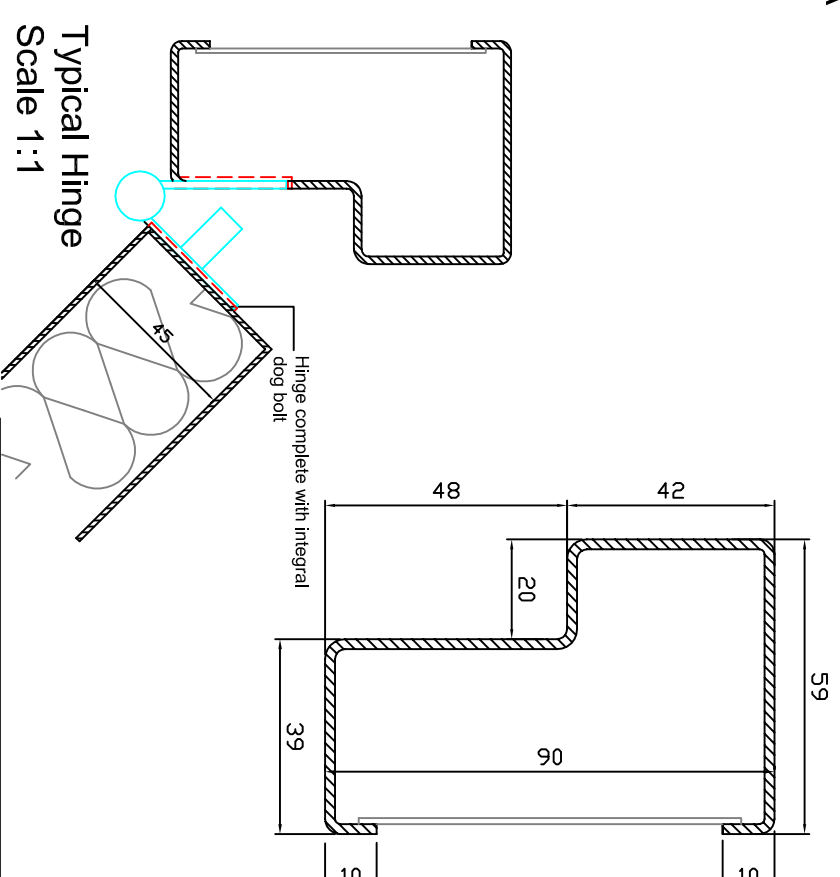
Horizontal Section A-A



□/□ frame



Vertical Section B-B



Typical Hinge
 Scale 1:1



Title **300 SERIES STANDARD DRAWING**
CAD DETAILS - DOUBLE DOOR

Scale NTS Size A3
 Date MARCH 2012
 DRAWING NO. **Standard - 300 SERIES**

Revision