

Carport Extension

BCCPSW1800EXT / BCCPSW1825EXT

Assembly Instructions

IMPORTANT

Please read these instructions thoroughly before starting assembly.

Check all parts are present before assembly, call 020 3011 2040 for replacement parts.

These instructions should be kept in a safe place for future use.

Introduction

Thank you for your purchase of our Carport Extension, we hope you enjoy.

Please read through these instructions and familiarise yourself with the construction process before you begin.

We operate a programme of continuous product improvement and we reserve the right to change the specification without prior notice, the latest model is supplied.

Although we have taken great care to ensure this kit is complete, occasionally we make mistakes. There are no robots involved in the production our products, just regular people! Please check that you have all of the parts listed before starting the assembly. If there are any damaged or missing parts, please call us on 020 3011 2040. We will express any missing parts to you as soon as possible.

Keep these instructions in a safe place for future use. They can be useful for identifying parts when ordering replacements should you suffer severe storm damage or vandalism.

We are confident you will get a long life from your product. We offer a 1 year manufacturers warranty, against manufacturing faults or defects. Sadly we are unable to cover against storm or weather damage. If you experience any difficulties with your product please call the number above for support.

Contents

Hints, Tips & Safety.....	3
Parts List.....	4
Frame Layout.....	7
Frame Assembly.....	8
Roof Assembly.....	12
Gutter Assembly.....	16
Unique Steps.....	18

Hints and Tips

- All frame parts are identified with the part number, all other parts can be identified by measuring and comparing to the list of materials in this manual.
- Lay out all your parts in organised groups before commencing assembly.

Caution

- Two people are required to safely assemble this product.
- Take care and wear safety gloves when working with metal parts as some have sharp edges.
- Keep children and pets away from the assembly area.
- Keep the area around your work place area clean and tidy.
- Take care when handling sharp tools and never carry sharp tools in your pocket.
- Never leave your product unattended or partially built, especially outside on a windy day.
- You are advised to take care and wear suitable personal protective equipment such as safety glasses & gloves where possible.

Tools Required

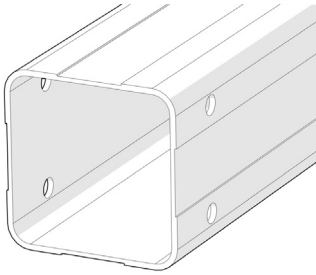
- Large flat-head screwdriver
- 8mm socket, 10mm socket
- Ø6mm masonry drill bit
- Spirit level
- Ladder
- Tape Measure

Maintenance

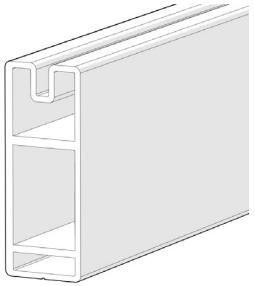
- It is advised that periodically or after storms or gales you check all nuts, bolts and screws, and tighten where necessary.
- Clean using warm soapy water and a non-abrasive cloth.

Framework

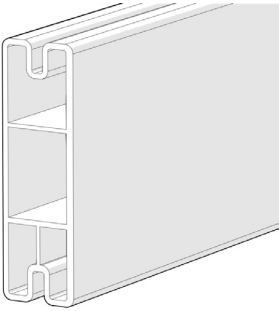
1X LEG
PST1 (2.0m model)
PST3 (2.5m model)



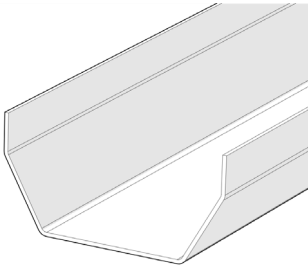
1X RL18
1X RL17
1X RL17A
2X RL16



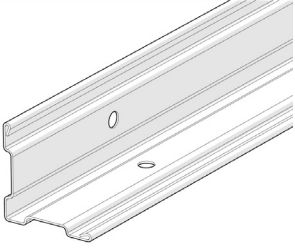
1X BM1



1X GUT1900W



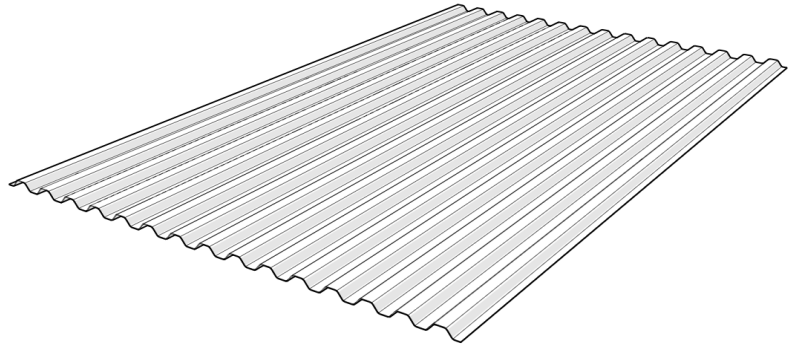
1X XL71



Roof Sheets

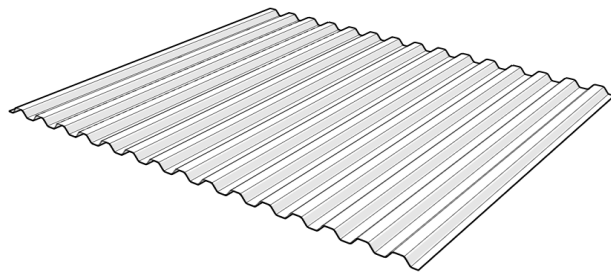
2x

SR6
(1140mm x 1830mm)

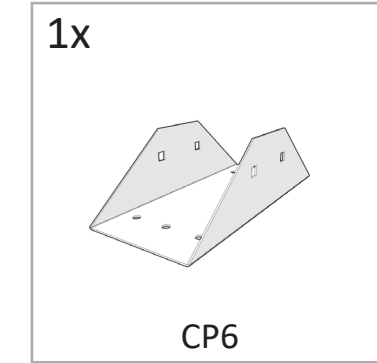
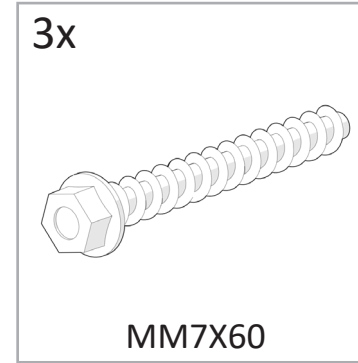
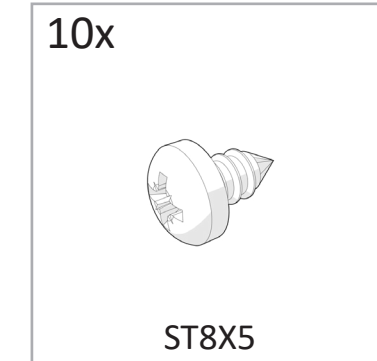
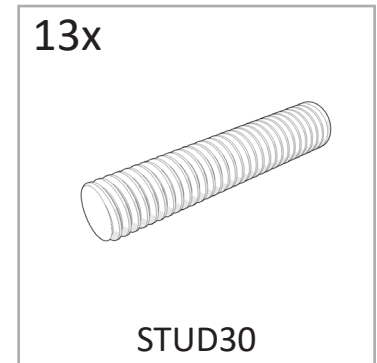
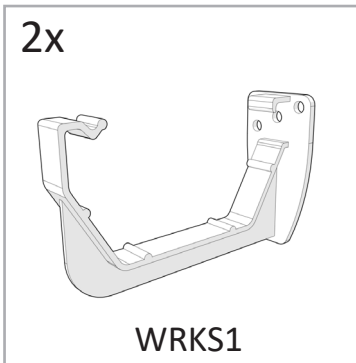
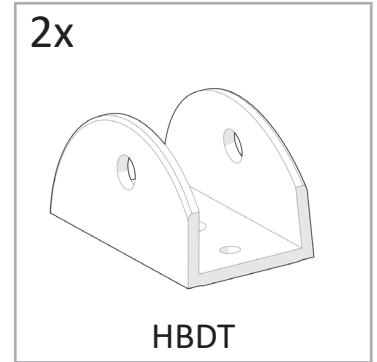
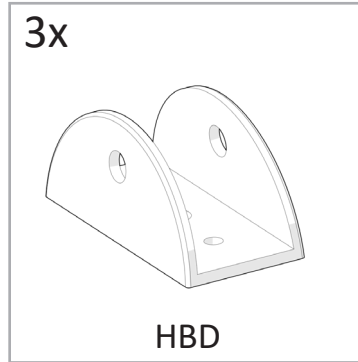
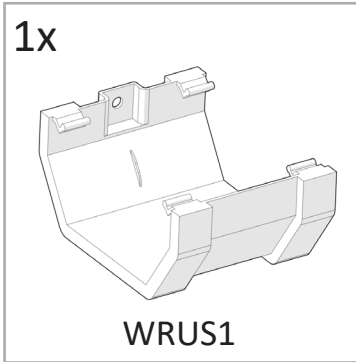


2x

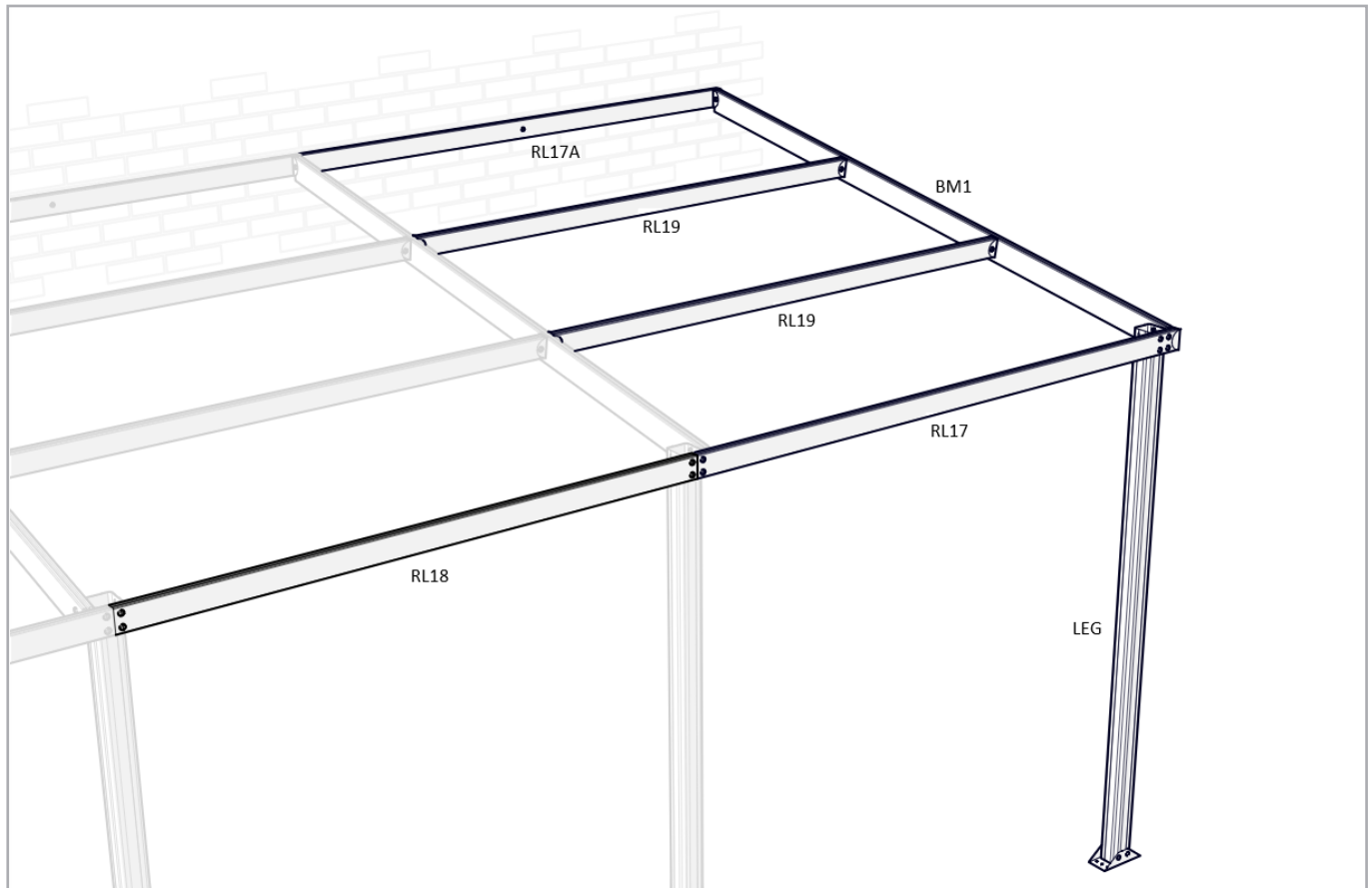
SR7
(1140mm x 940mm)



Hardware



Extension Frame Layout



IF BUILDING EXTENSION AS PART OF NEW BUILD -

Follow instruction manual provided with Carport 3.8m kit until Step 11, then switch to this manual and continue from Step 2.

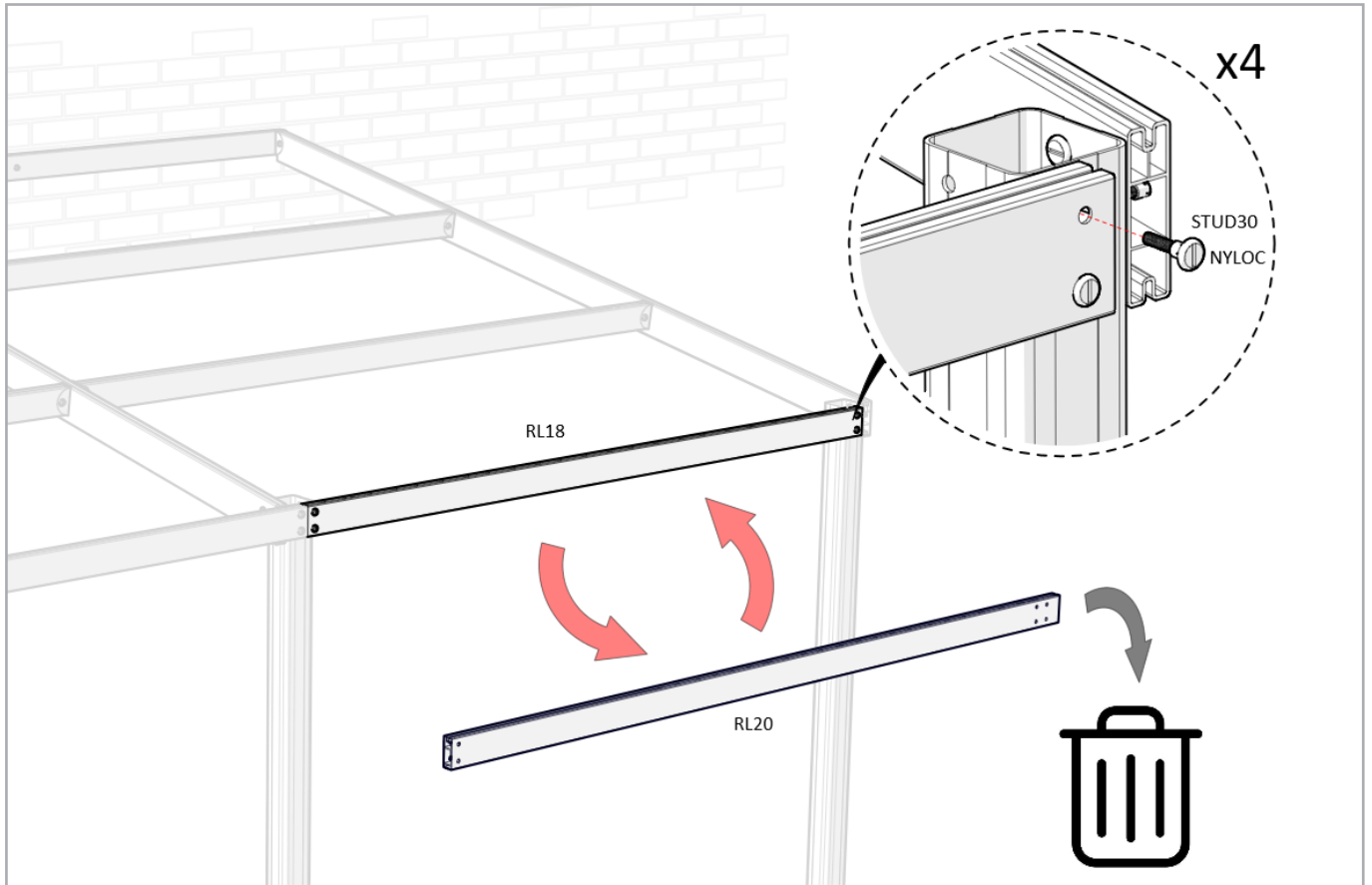
IF BUILDING EXTENSION AS RETROFIT TO EXISTING STRUCTURE -

All instructions are written for extension to the right of the existing structure, if extending to the left see **UNIQUE STEP A** (page 18).

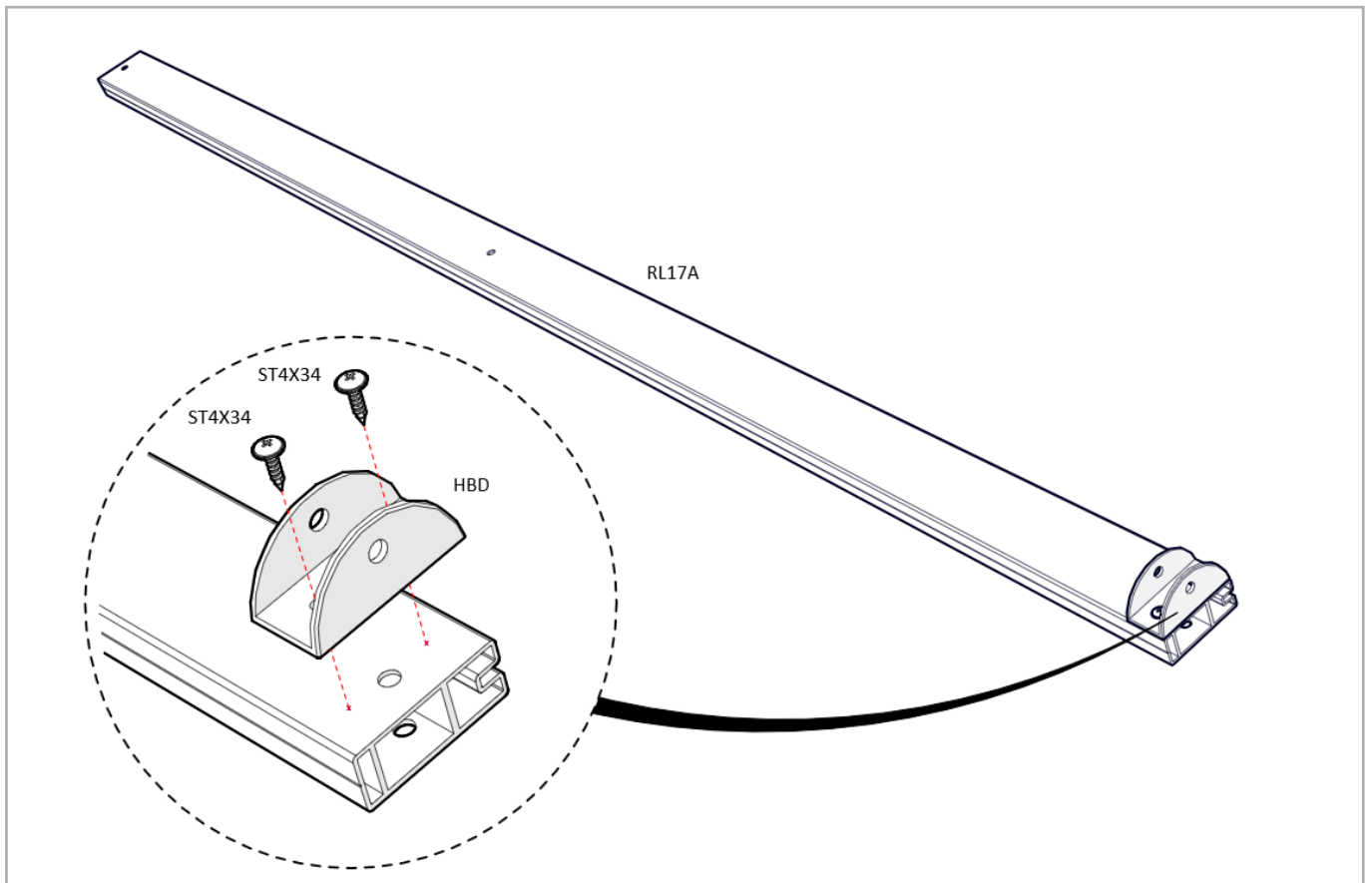
Remove roof sheets on the side of which your extension will adjoining.

Remove all fixings for beam which will be replaced by RL18.

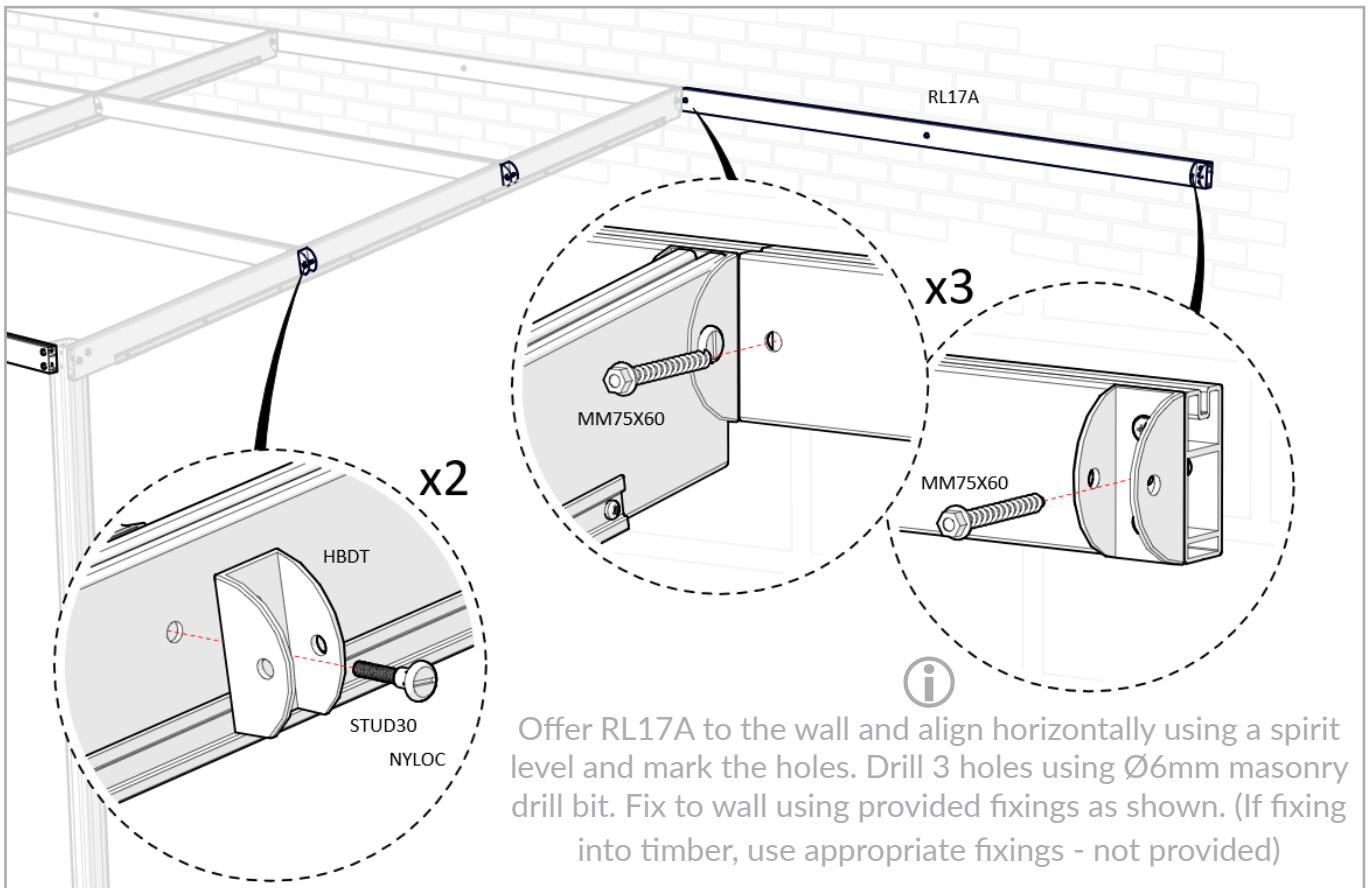
Step 1 - Replace RL20 of existing structure with RL18



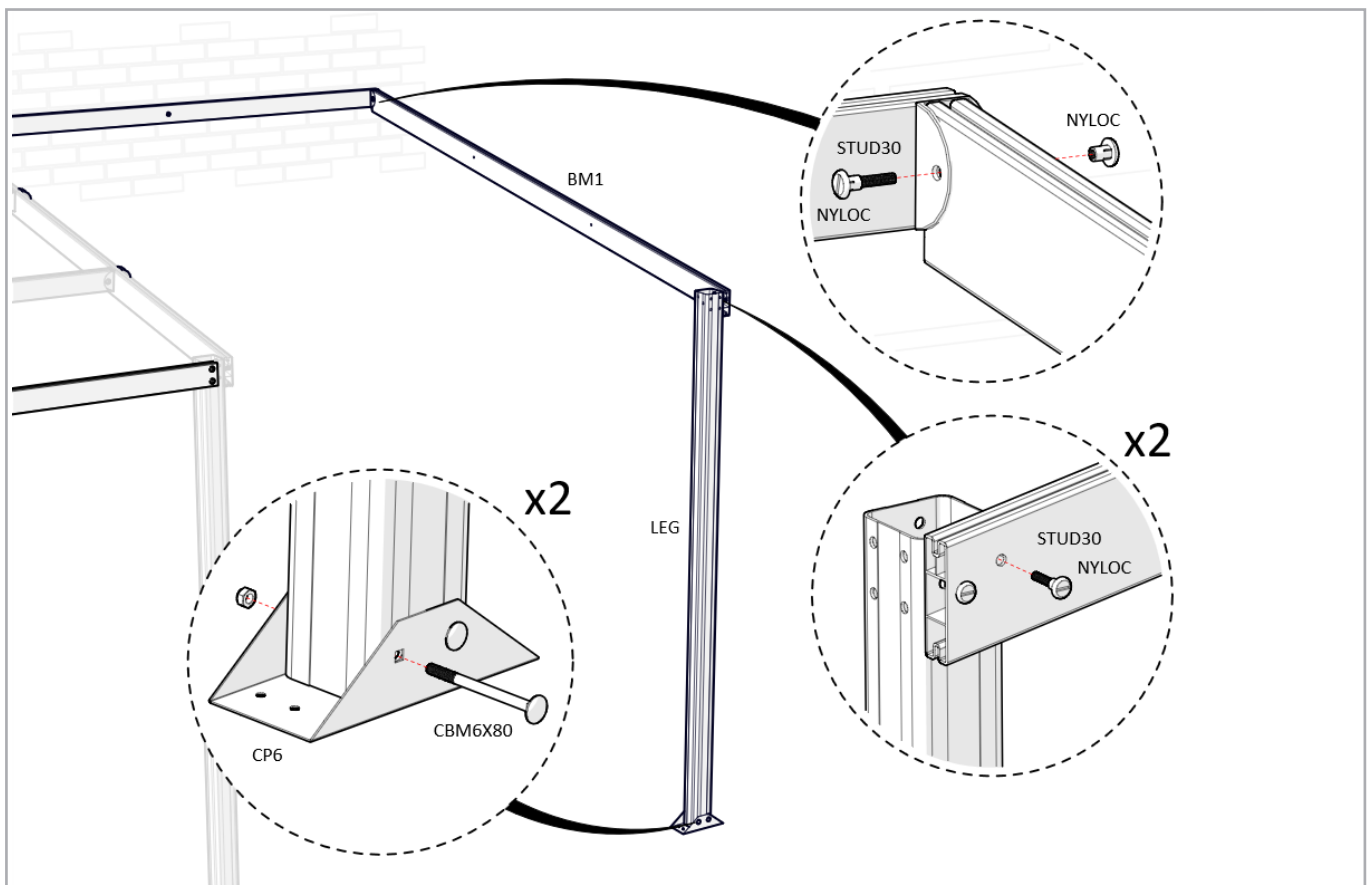
Step 2 - Fix HBD bracket to end of RL17A



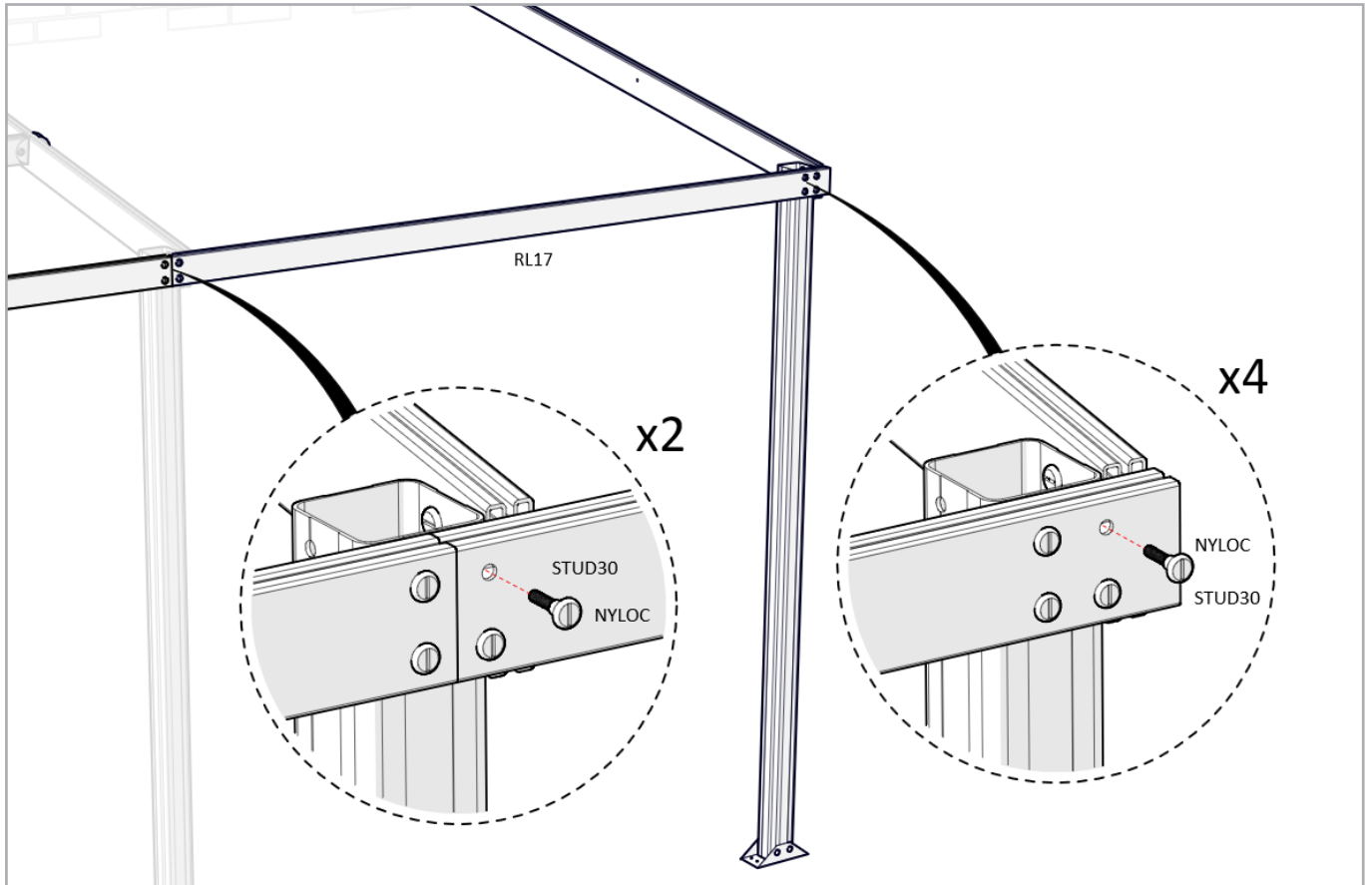
Step 3 - Fix RL17A to wall level with existing wall beams



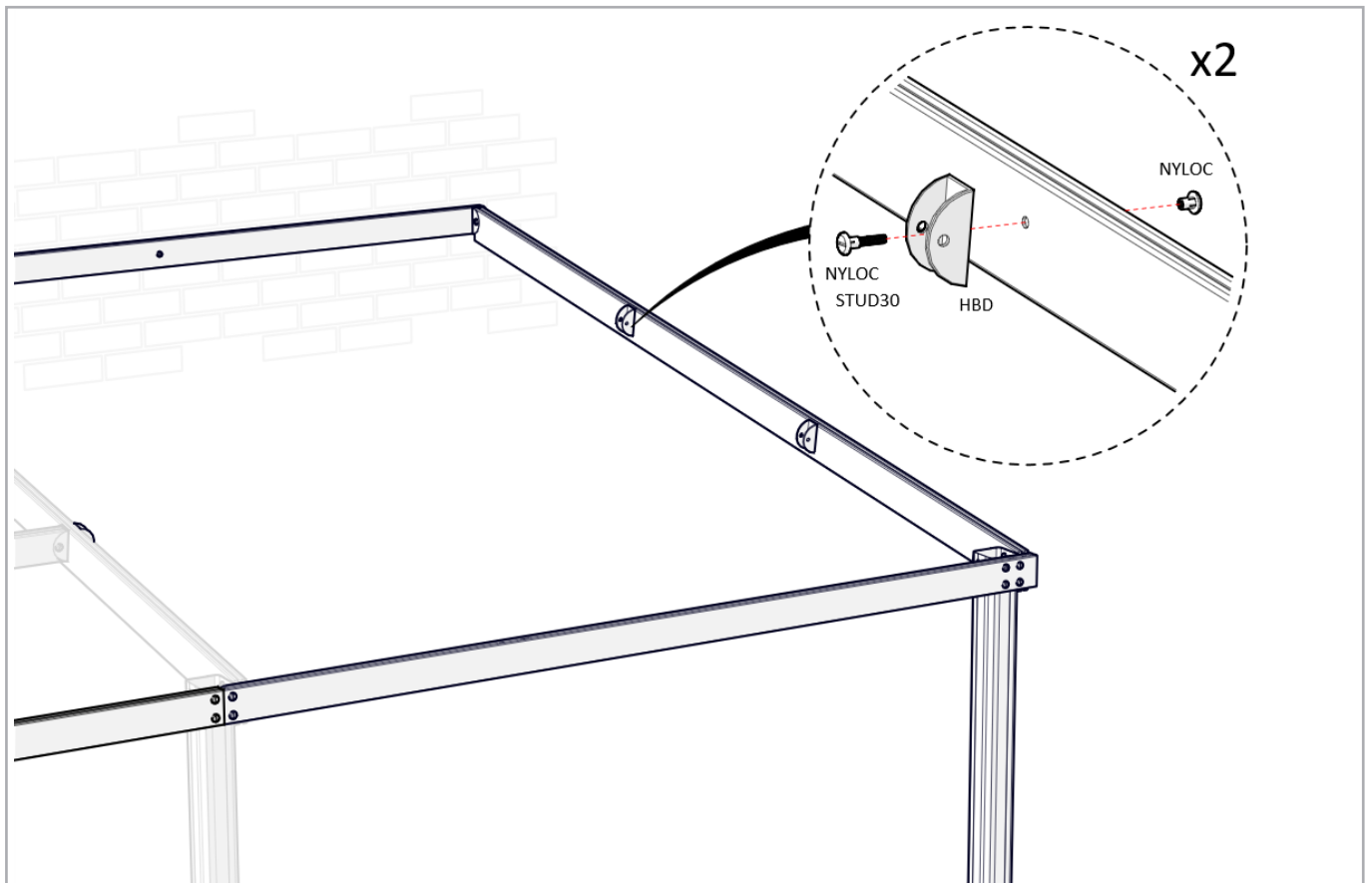
Step 4 - Add CP6 to the LEG then fix BM1 between the Leg and RL17A



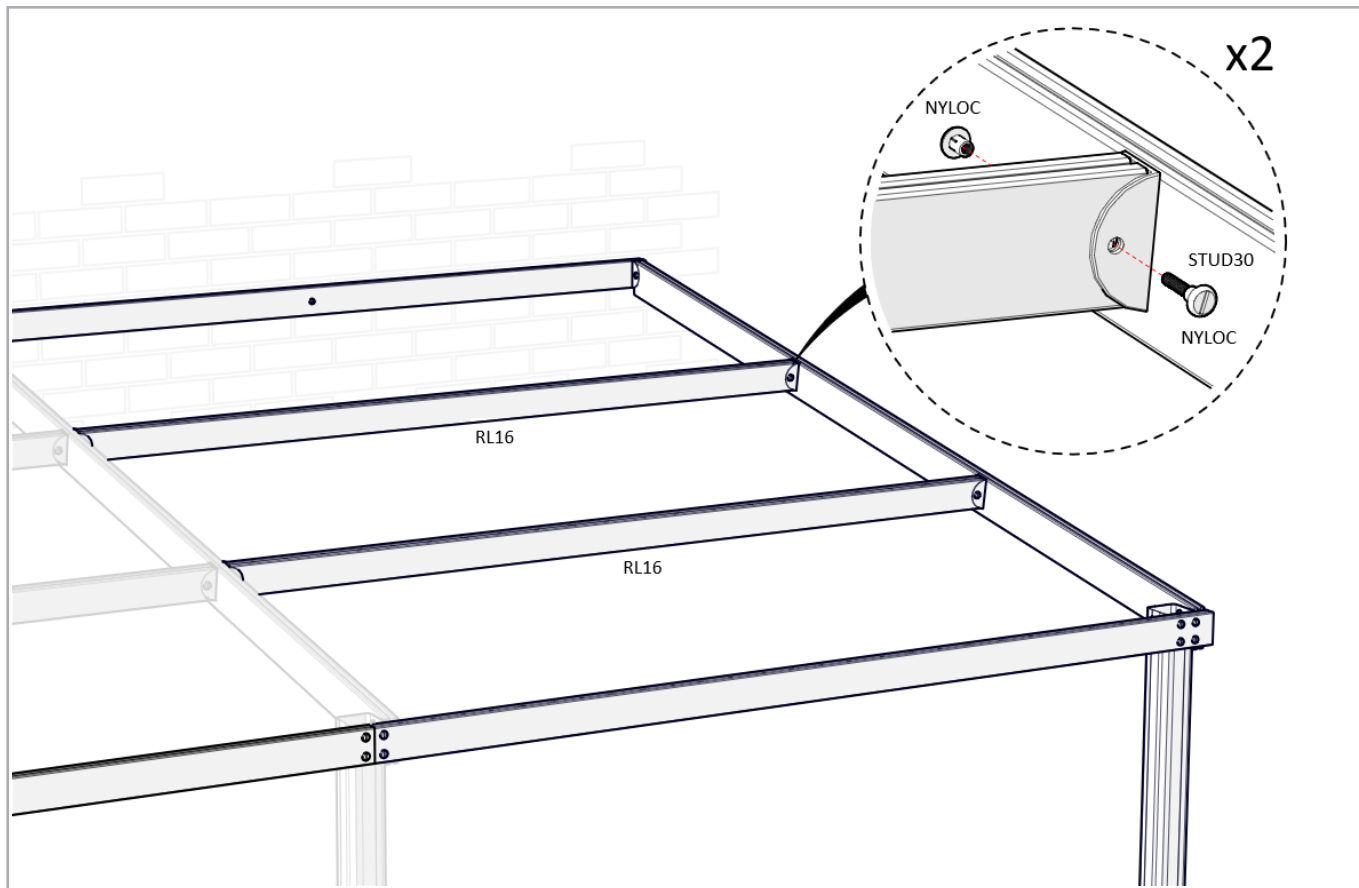
Step 5 - Fix RL17 as front beam between existing structure and LEG



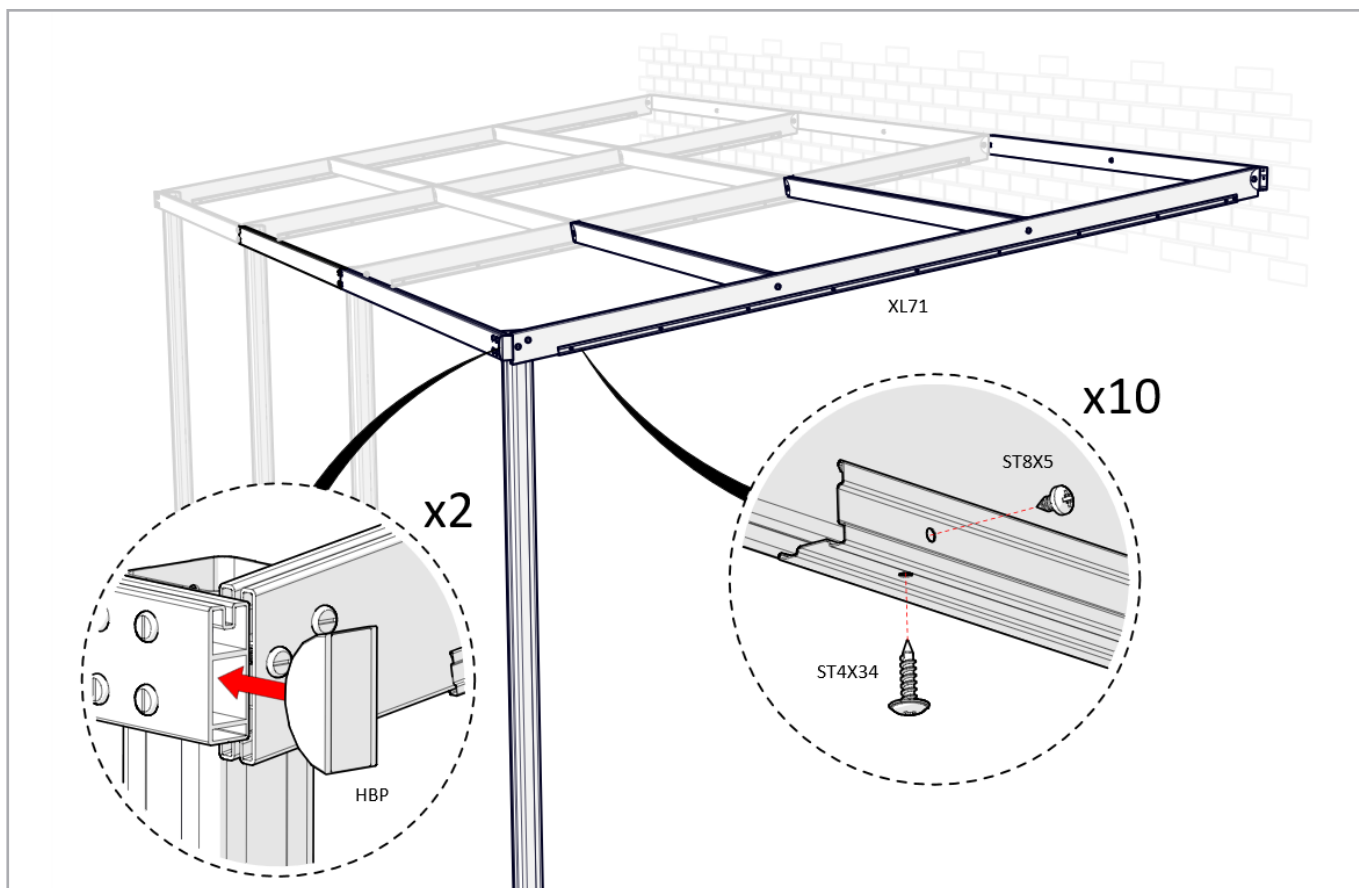
Step 6 - Fasten 2x HBD brackets to BM1 as shown



Step 7 - Attach 2x RL16



Step 8 - Fix XL71 to underside of BM1. Push fit HBP to exposed end of front beam

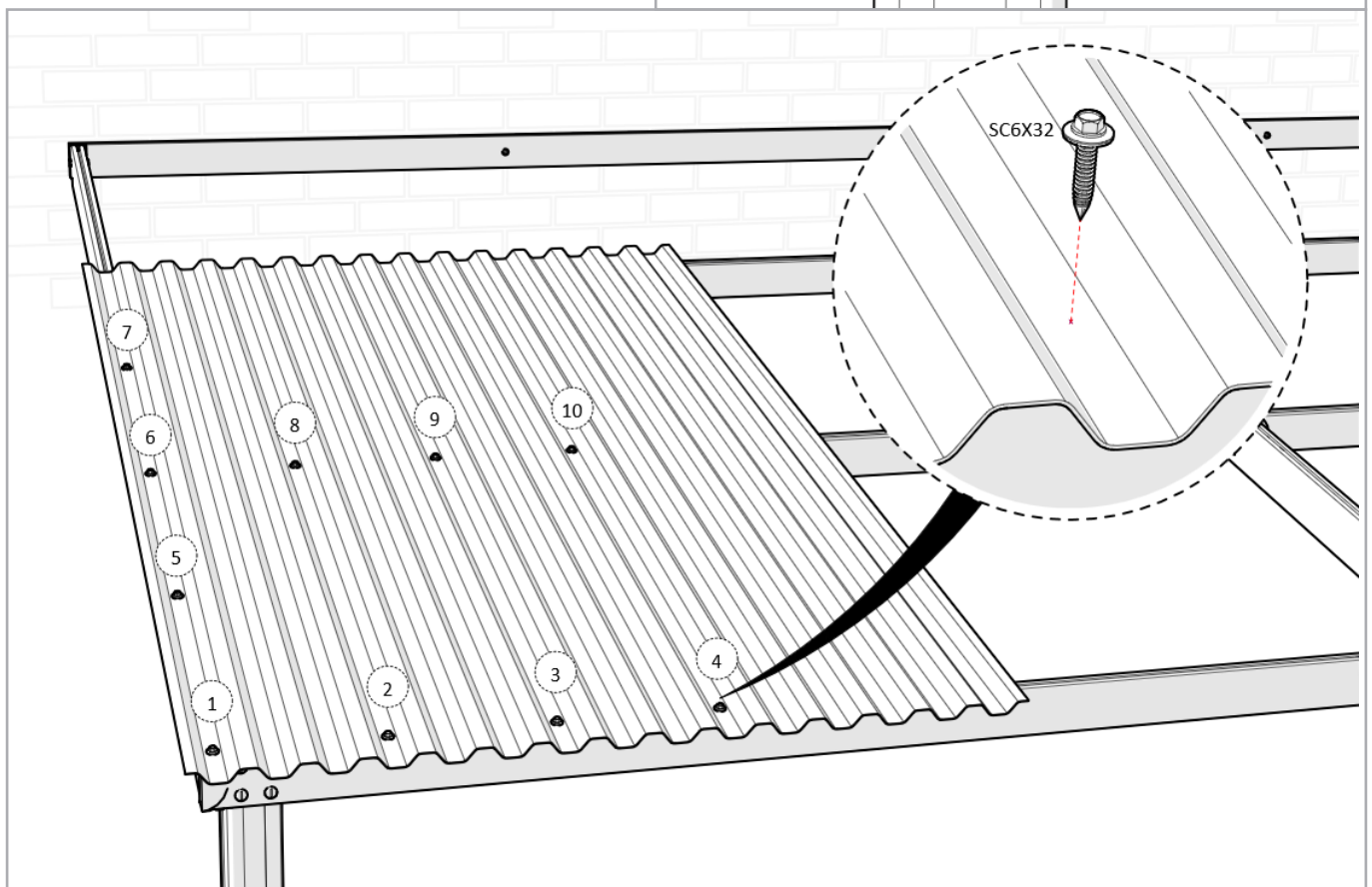
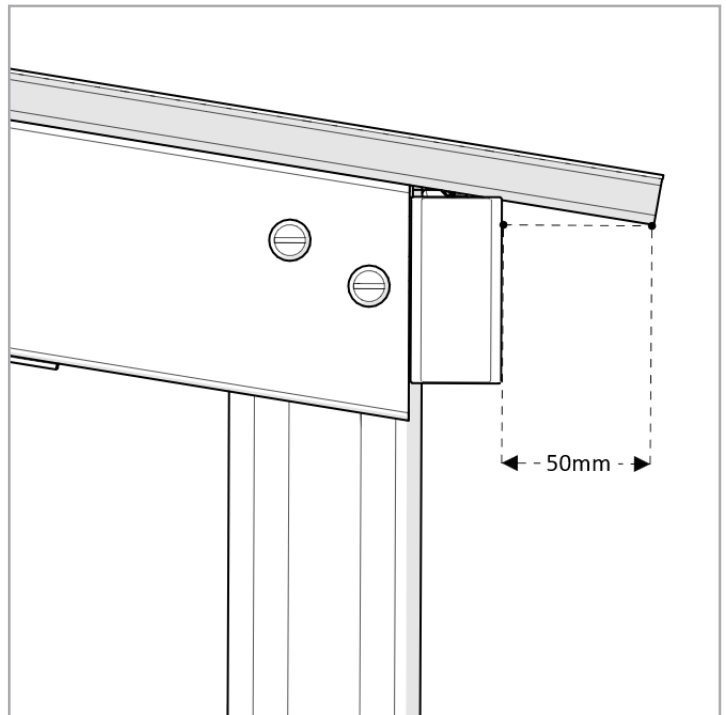


ROOFING NOTE: The following roof sheet layout applies to a New Build structure. If building as part of a retrofit to existing structure, follow the existing roof sheet layout.

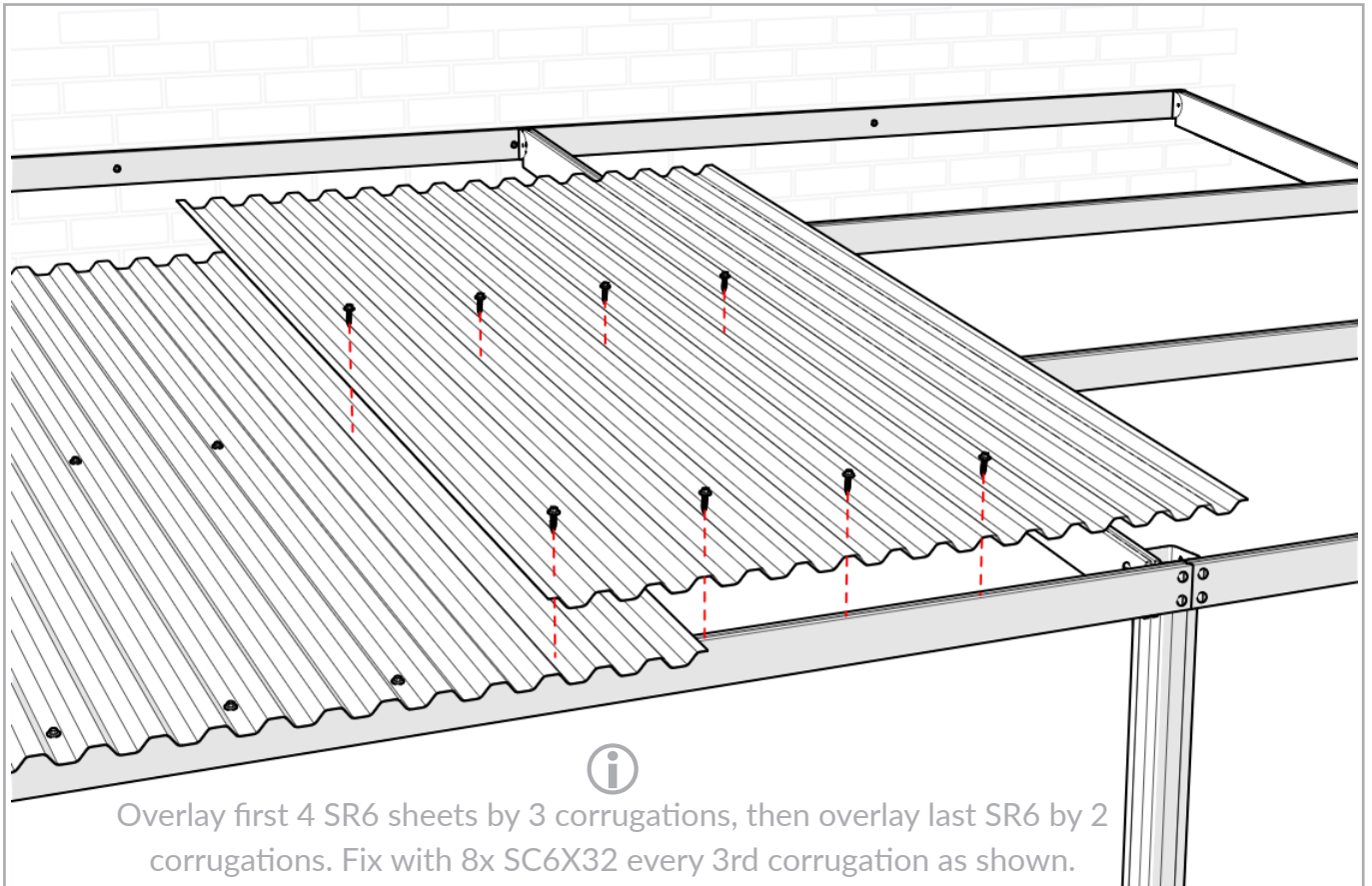
Step 9 - Fix SR6 roof sheet to the front left corner of the roof frame



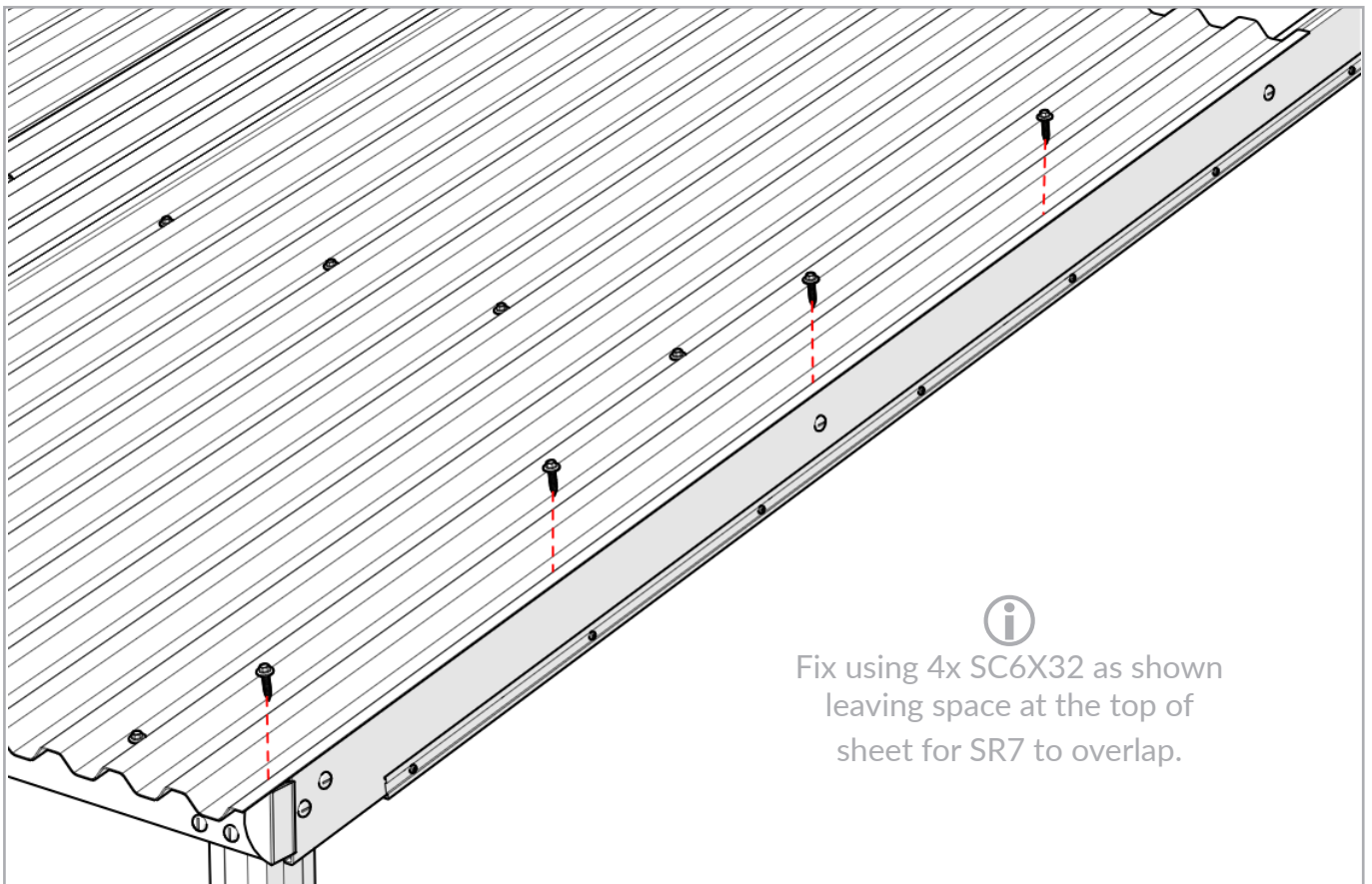
Place first sheet of SR6 in the front left corner of the roof, position so that there is a 50mm overhang from front beam (see image right). Apply fixings 1 to 4 into front beam RL17, every 3rd corrugation (see image below). Move the structure until framework is square with the wall and sheet. Then apply fixings 5 to 7 into BM1, then finally 8 to 10 into RL16.



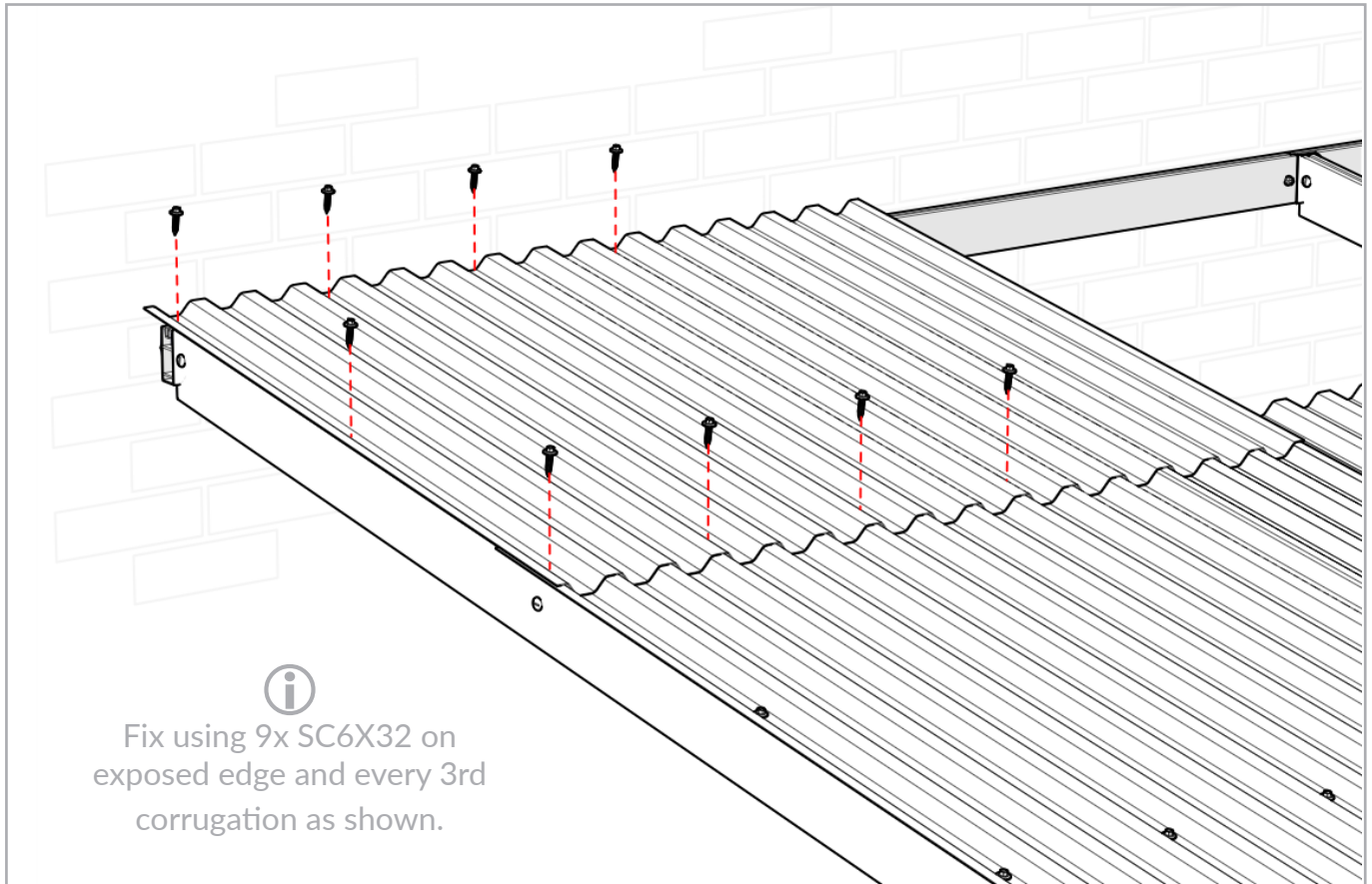
Step 10 - Fix remaining 5x SR6 sheets



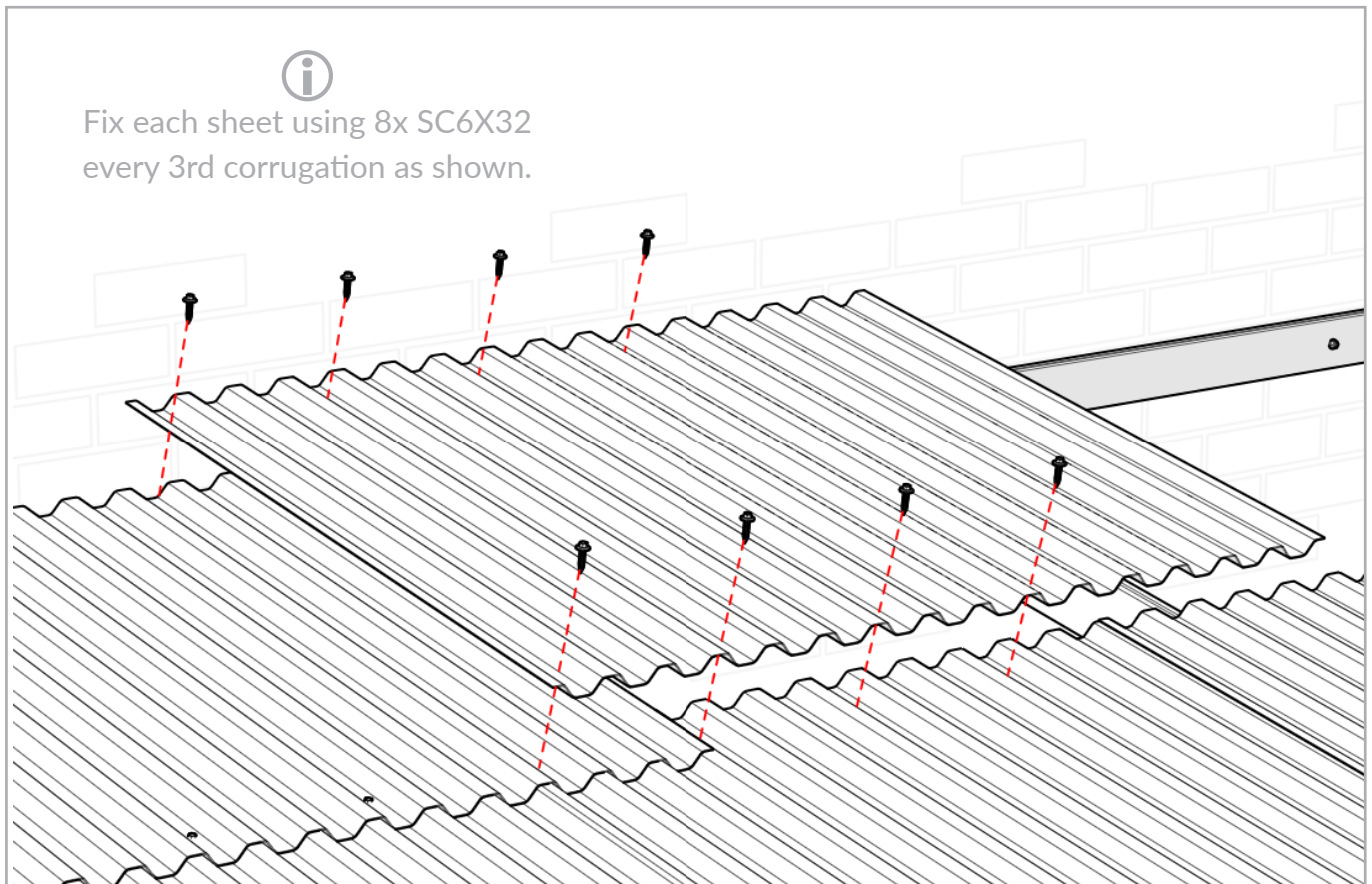
Step 11 - Fix exposed edge of last SR6 sheet to BM1



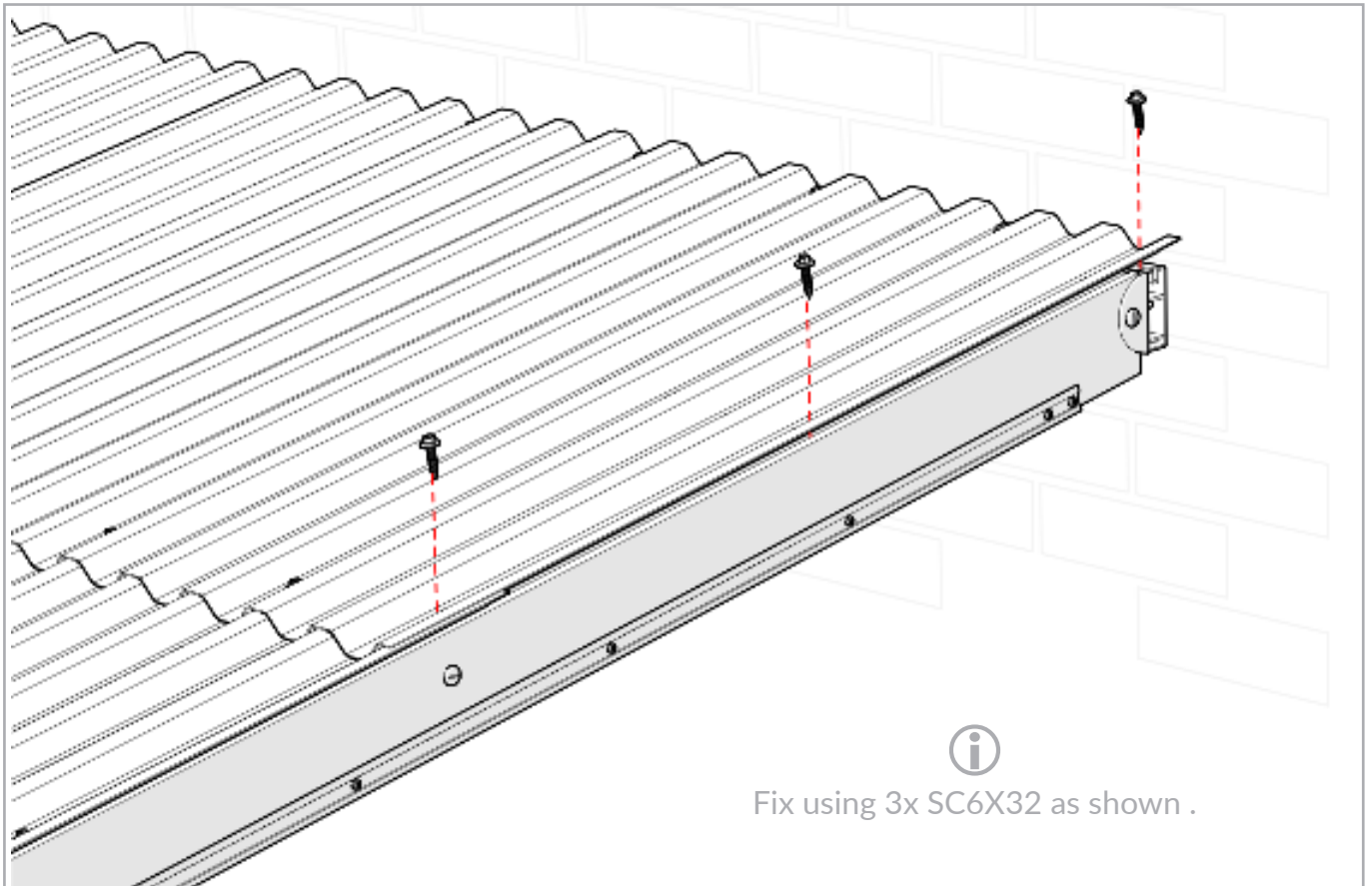
Step 12 - Position SR7 on top of first SR6, tight against the wall and fix.



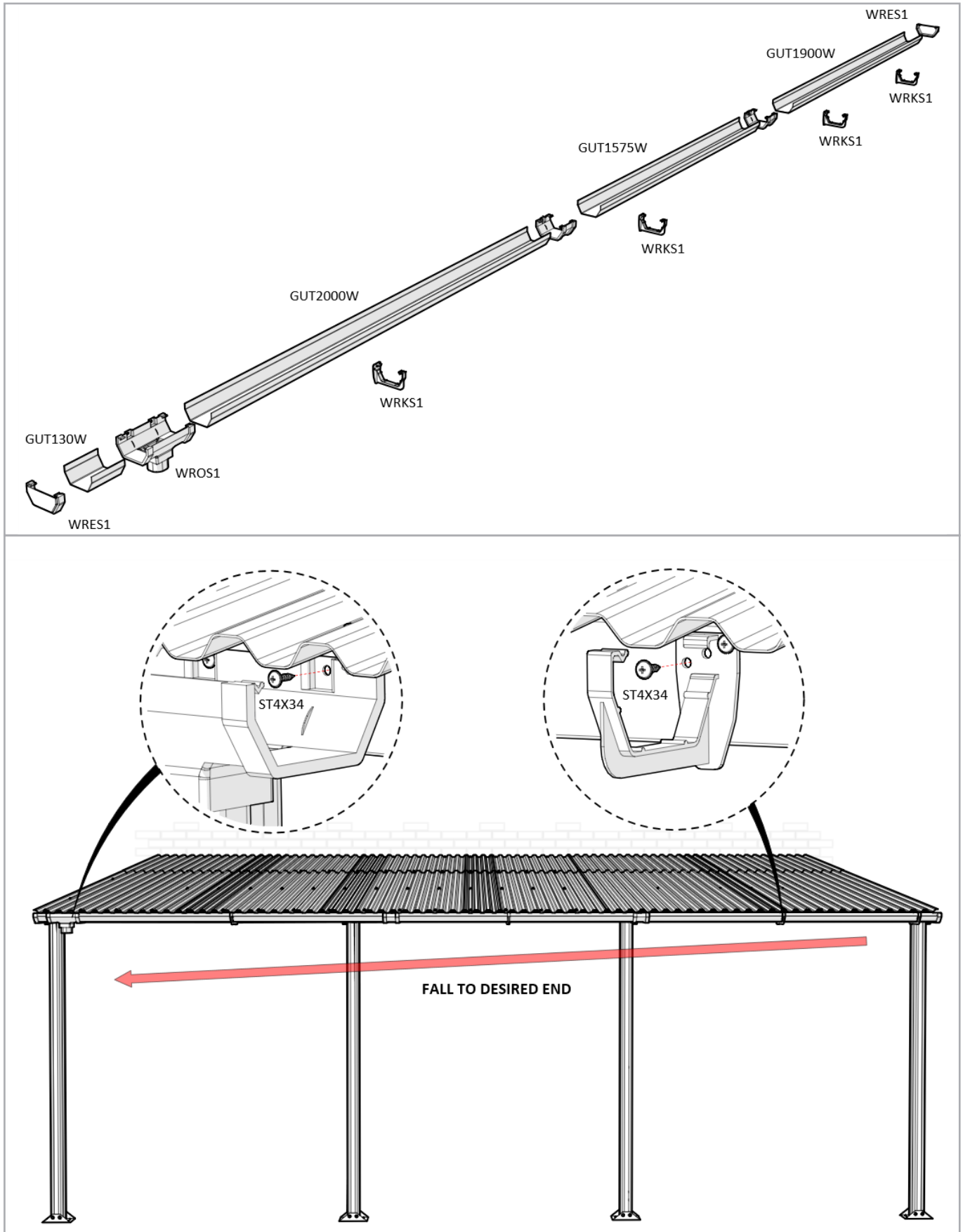
Step 13 - Fix remaining 5x SR7 sheets



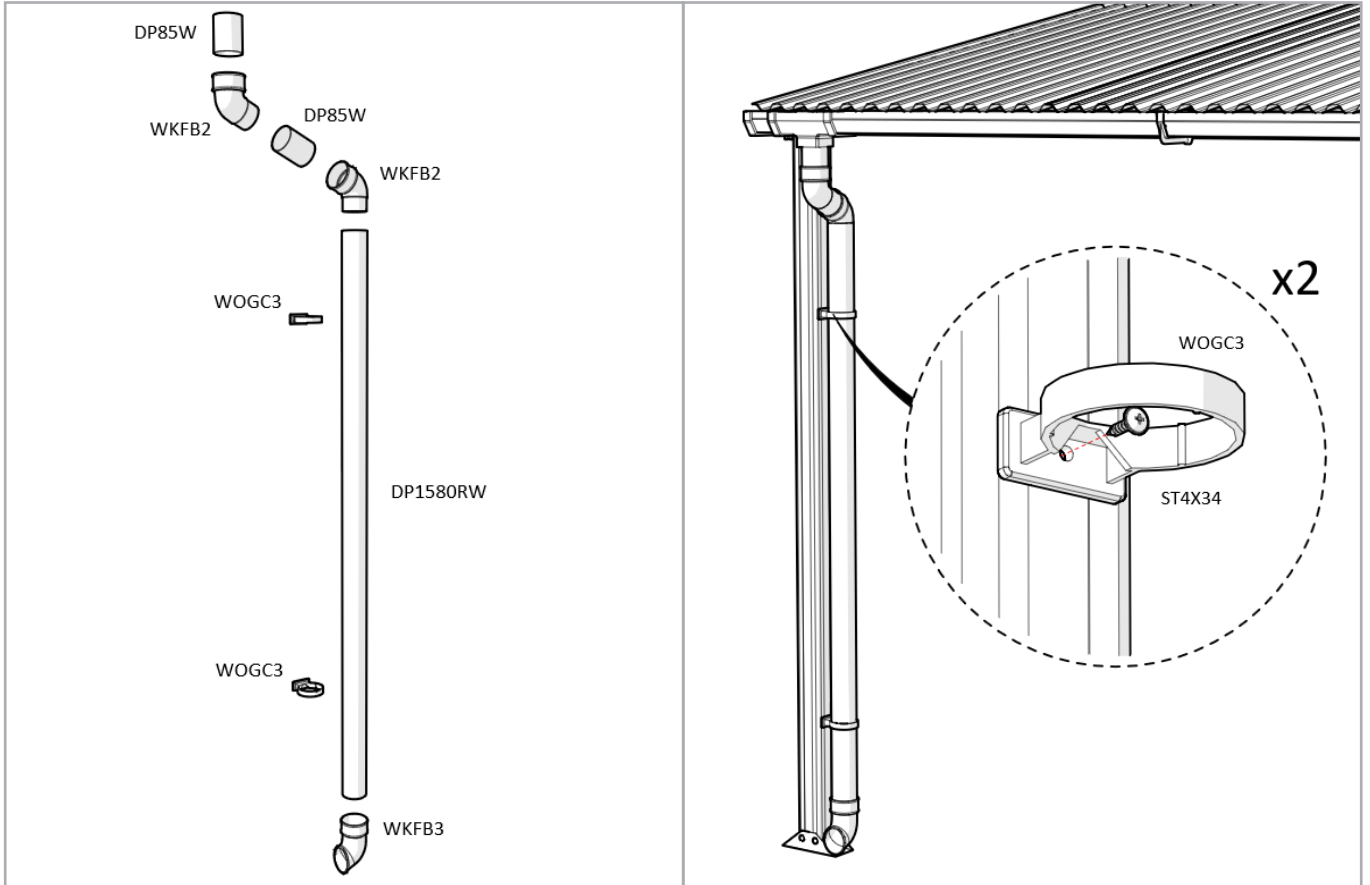
Step 17 - Fix exposed edge of last SR7 sheet to BM1



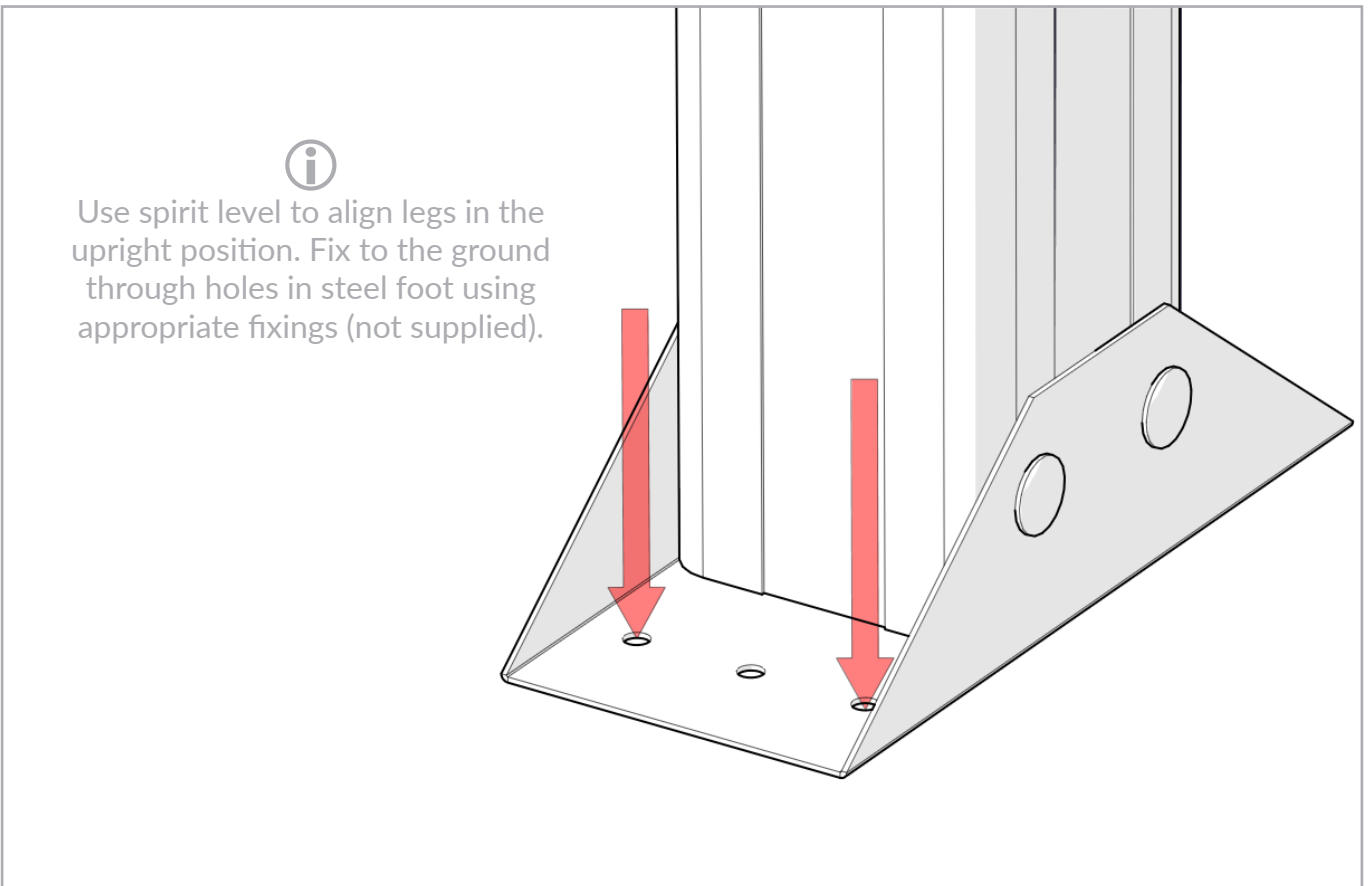
Step 18 - Assemble gutter and fix to front beam of carport



Step 19 - Assemble and fix downpipe to LEG

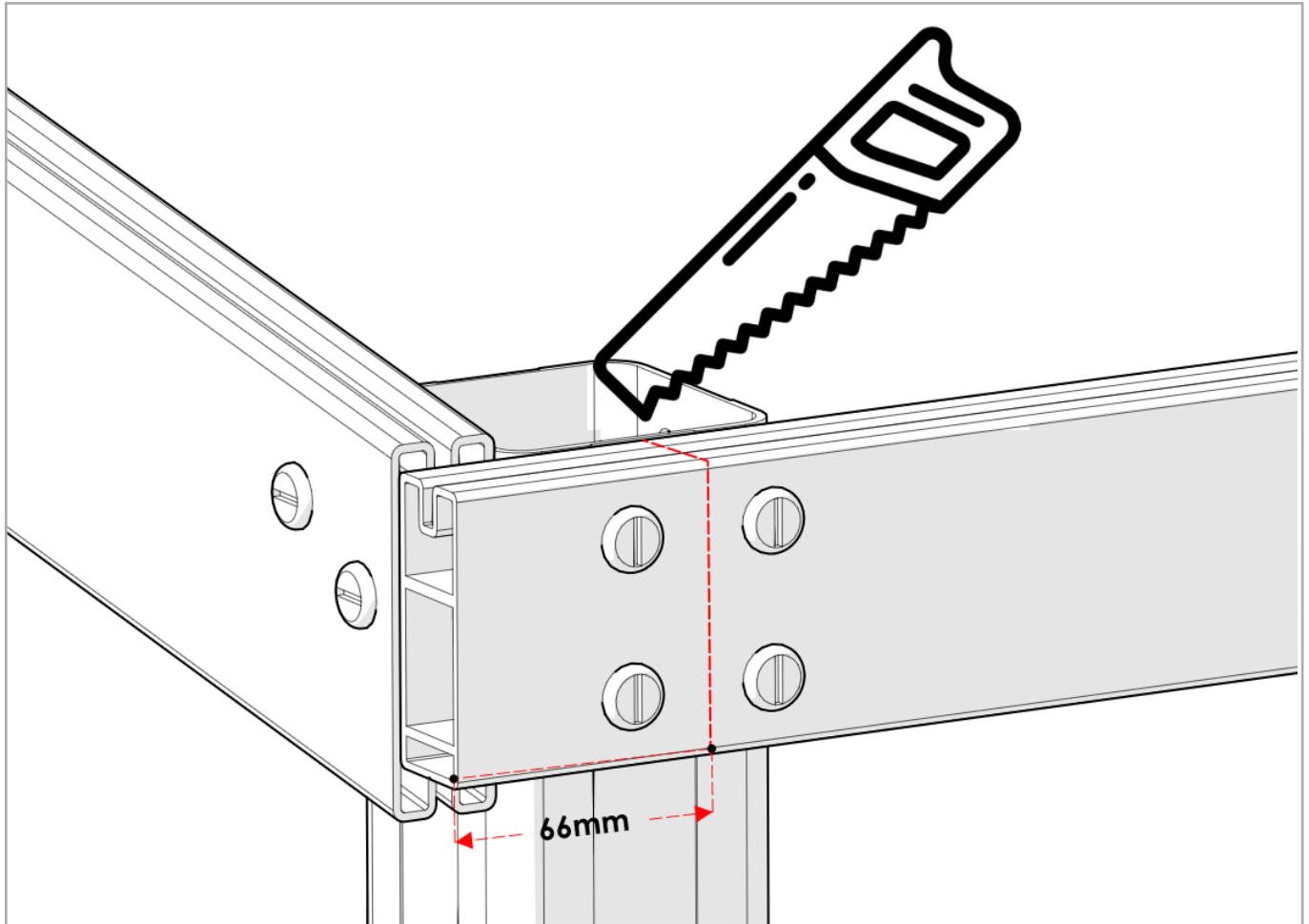


Step 20 - Anchor feet to the ground



UNIQUE STEP A - (constructing extension to the left of existing structure)

Use hand saw to cut 66mm from end of front beam and remove. This will allow RL17 to pick up on the two end fixings. Continue to Step 2, same build method applies, adapt instructions to suit left side of structure.





Norfolk Greenhouses

1 Vincent Avenue
Crownhill Industry
Milton Keynes
MK8 0AB

Tel: 020 3011 2040

E-mail: info@norfolk-greenhouses.co.uk