



## SolarZone

Stand alone battery based solar charging and shade structure

### FEATURES & BENEFITS

#### SUPER DURABLE

- Meets the highest wind, snow and seismic loads
- Concealed conductors
- Powder coated aluminum

#### EASY INSTALLATION

- No foundation required
- No underground electrical
- Bolt together
- Pre wired

#### CHARGE IT DAY AND NIGHT!

- Wireless mobile device chargers and weatherproof outlets for laptop charging

#### INTEGRATED LED LIGHTING

- Bluetooth controls allow you to program your own lighting schedule



## SYSTEM DETAILS



### SolarZone Includes:

- (4) wireless chargers for mobile device charging
- (4) 110V weatherproof outlets for laptop charging

### SolarZone Capacity

- Lights on for 8 hours
- 4 hours of wireless phone charging per day
- 8 hours of computer charging per day

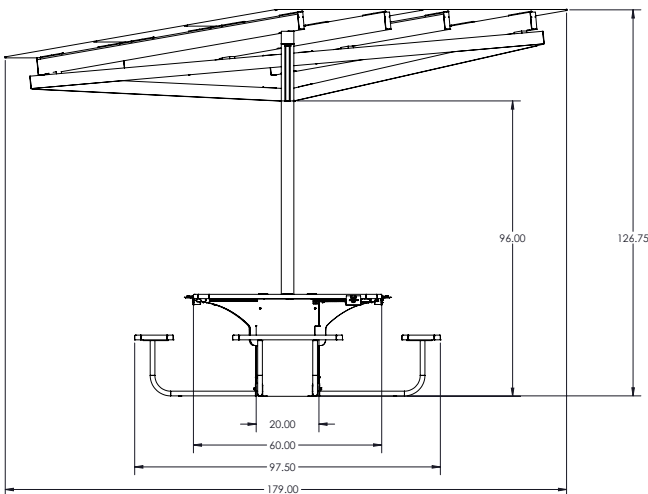
### SolarZone Technical Details

- Solar capacity: 1,800W
- Nominal battery capacity: 4,800 Wh (24V, 200Ah)
- Allowable depth of discharge: 50%
- Battery chemistry: AGM
- Maximum continuous load (@77°F): 700W

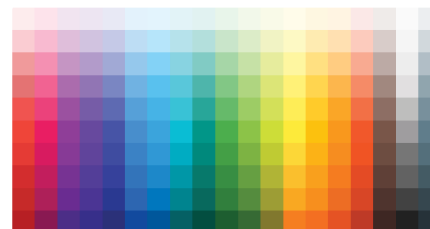
- 30 Year Warranty on Lumos LSX Modules
- 5 Year Warranty on electrical components
- 2 Year Warranty on batteries
- 1 Year Warranty on **SolarZone** finish
- Electrical components supplied by:



- Bluetooth programmable LED lighting, data monitoring and controls
- Optional web based data monitoring
- Optional bench seating
- ADA Compliant



- Structures produced from corrosion resistant aluminum
- All components CNC milled for precision fit
- Structures are powder coated and available in unlimited colors



Made in the USA