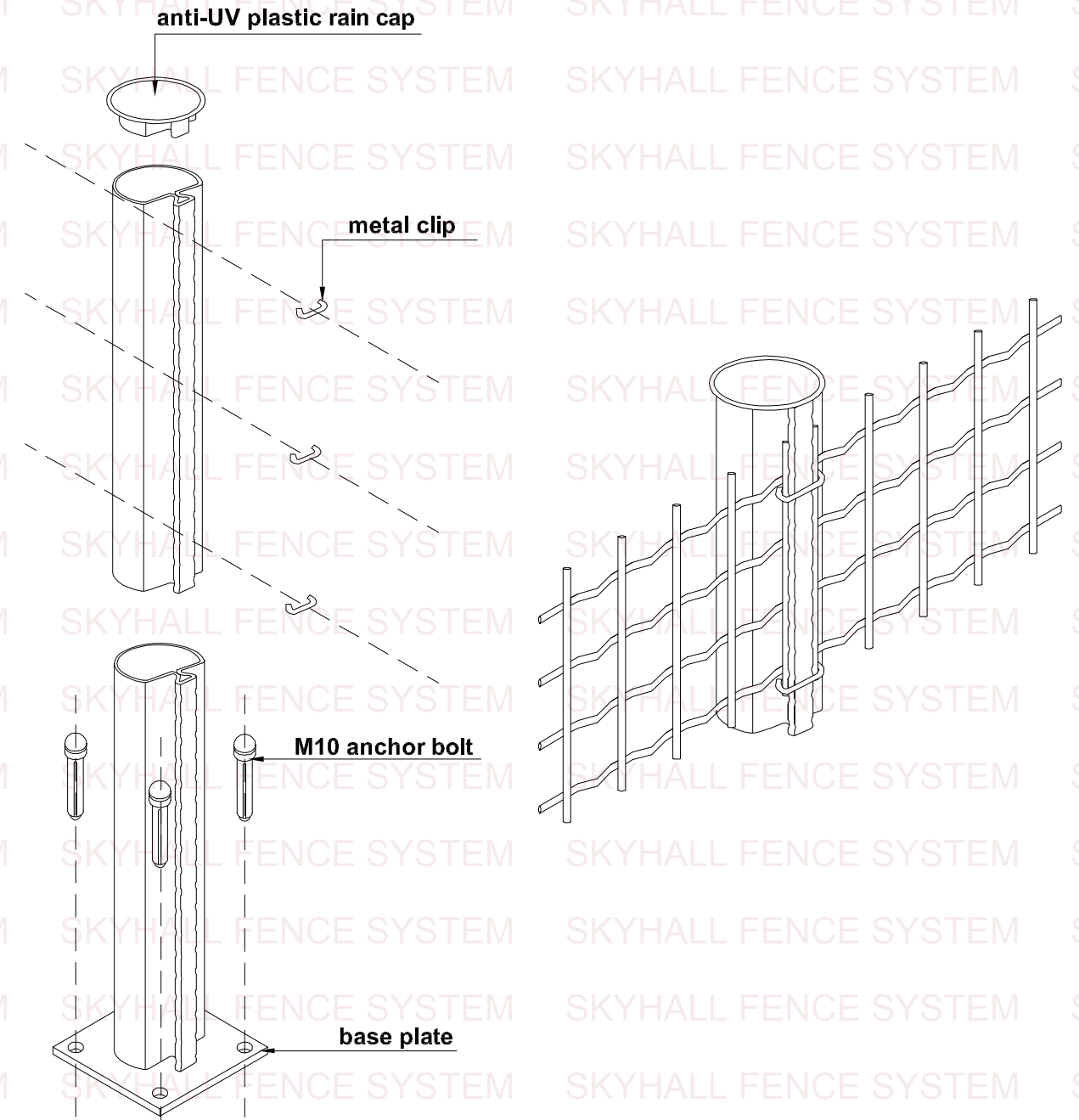
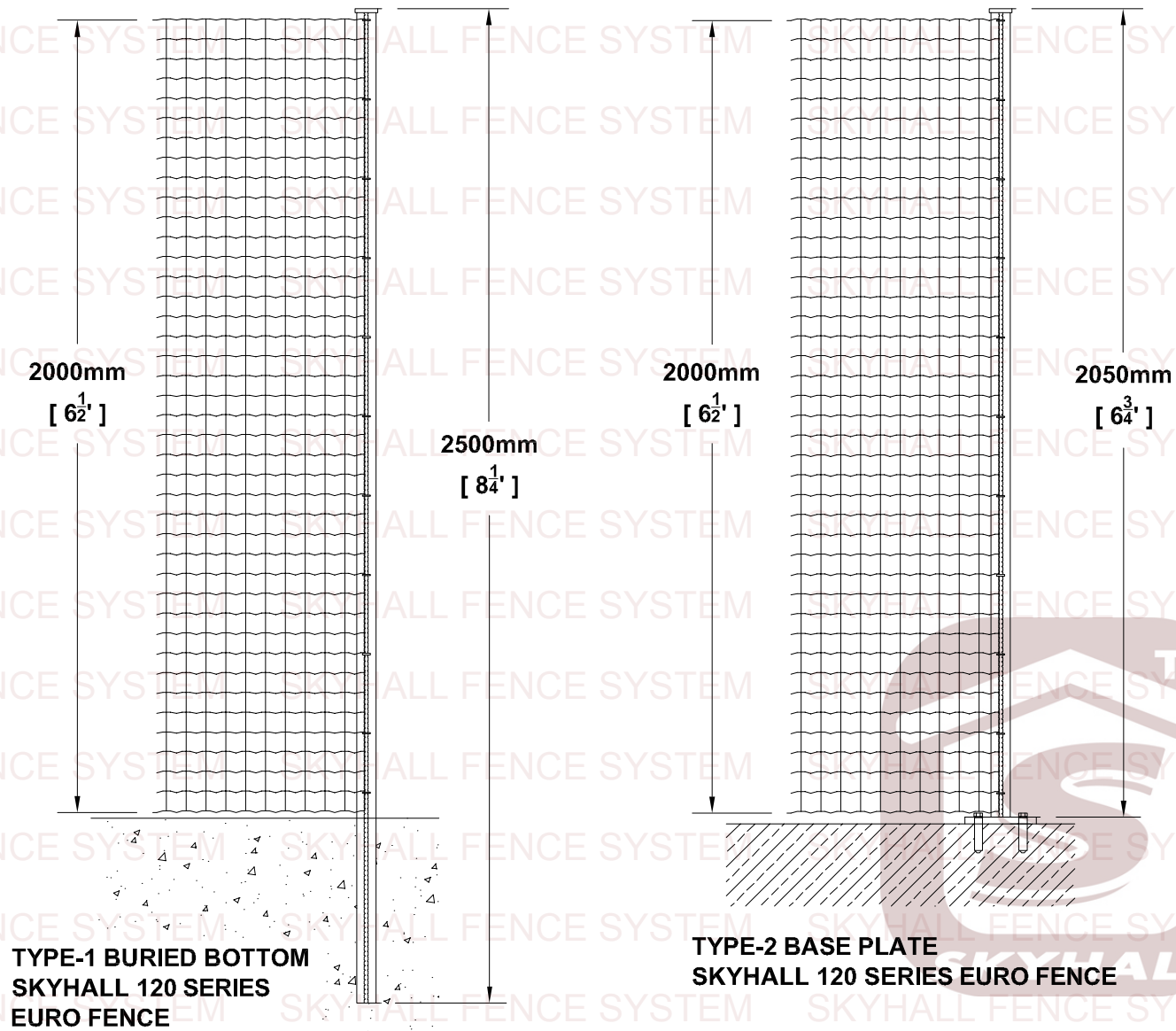


SKYHALL FENCE SYSTEM

ADDRESS: Room 1103, Import & Export building, #486 hepingxi rd, Xinhua district, Hebei province, China.

TEL: (0086) 311-8783-1537
FAX: (0086) 311-8610-2039

WEBSITE: www.skyhall.org
E-MAIL: info@skyhall.org



SKYHALL 120 SERIES (EURO FENCE) SKYHALL FENCE SYSTEM				
Post Size	Post Wall Thick	Clamp	Rain Cap	Surface
60mm [2 3/8"]	1.0mm [gauge #19]	metal clip	metal rain cap	hot-dipped galvanized
	1.5mm [gauge #17]			
48mm [1 7/8"]	2.0mm [gauge #14 1/2]	PVC rain cap	electric galvanized + PVC coated	

Rev	Date	Changed	By	Material	Q195/235	Spec
01	n/a	n/a		Mass	N/A	
02				SKYHALL FENCE 120 SERIES EURO FENCE (CONNECTION) N/A		
03						
04						
05						
06						
07				Status		Designer
				Status by		Date
					DIN A3	RAY HAN
					Scale 1:1	2014-07-30
						SKH120A0003

THIS DRAWING AND THE RELATED INFORMATION IS AND REMAINS THE EXCLUSIVE PROPERTY OF SKYHALL WITHOUT THE PRIOR WRITTEN CONSENT OF SKYHALL. THIS DRAWING AND THE RELATED INFORMATION MAY NEITHER BE COPIED OR REPRODUCED, NOR COMMUNICATED IN ANY WAY TO A THIRD PARTY, NOR USED FOR MANUFACTURING OUTSIDE SKYHALL EACH INFRINGEMENT OF THESE INTELLECTUAL PROPERTY RIGHTS OF SKYHALL SHALL GIVE RISE TO LEGAL PROCEEDINGS.

