

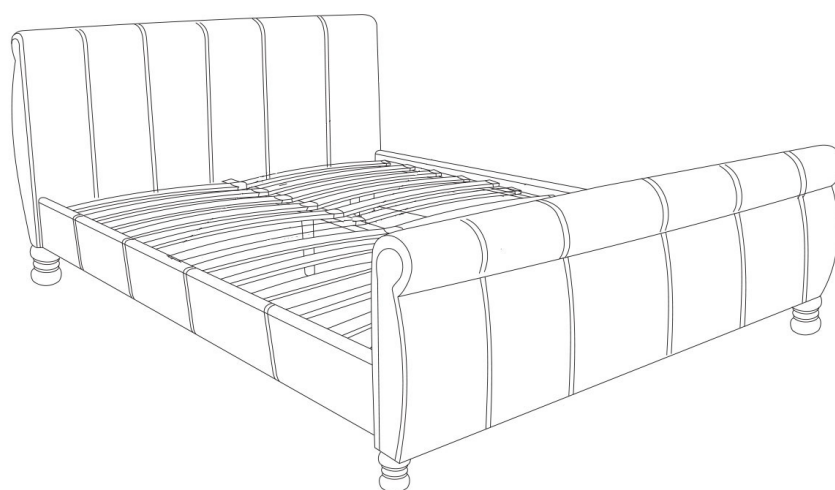


IFC

ITALIAN FURNITURE COMPANY (LEEDS) LTD.

## ASSEMBLY INSTRUCTIONS

### Bruno Bed



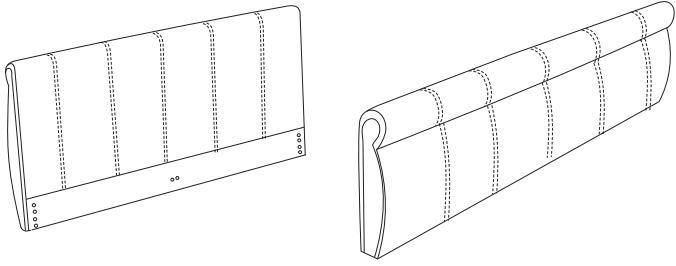
**IMPORTANT:** Please read these instructions carefully before attempting to assemble or use this item.

Please keep these instructions safe for future reference

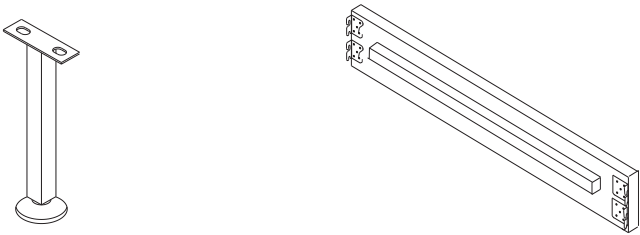
# JY-273 (4' 6")

## PARTLIST

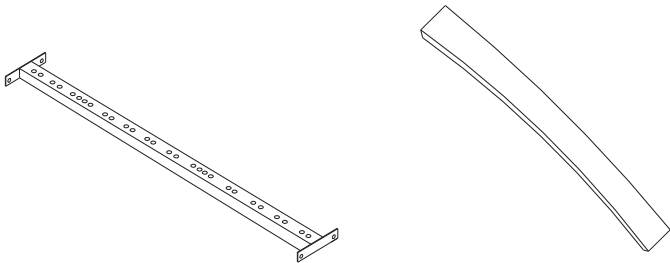
① Headboard 1pcs ② Footboard 1pcs



③ Support Leg x 2pcs ④ Side Rail x 2pcs



⑤ Centre Support Bar x 1pcs ⑥ Slats x 24pcs



⑦ Double Plastic Cap x 12pcs ⑧ Single Plastic Cap x 24pcs



⑨ Leg x 4pcs



## HARDWARE LIST

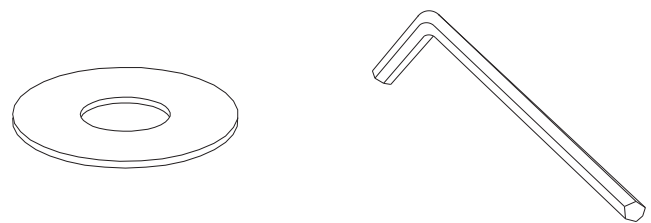
(A) Bolt M8 x 30mm x 20pcs (B) Bolt M8 x 40mm x 6pcs



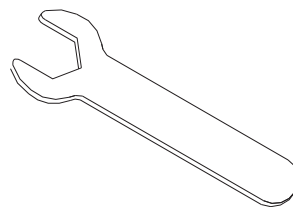
(C) Nut M8 x 13mm x 6pcs (D) Spring Washer x 26pcs



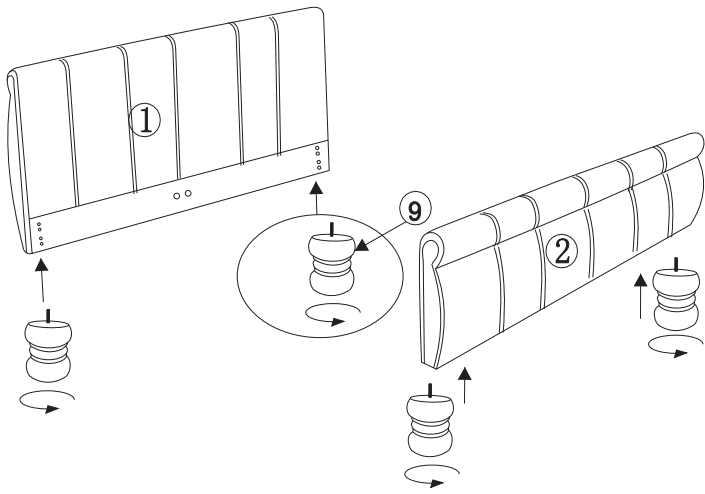
(E) Flat Washer x 26pcs (F) Allen Key M5 x 1pcs



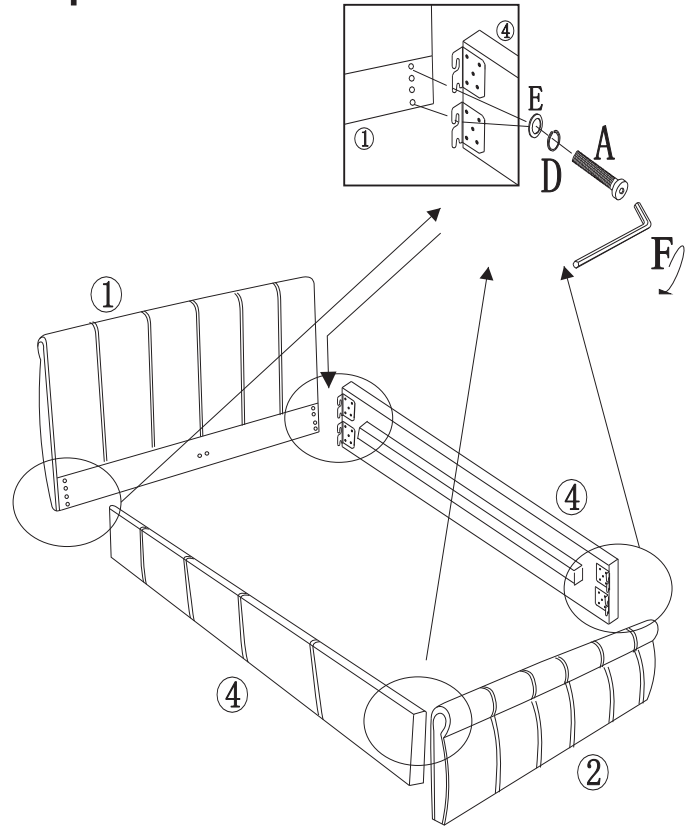
(G) Spanner x 1pcs



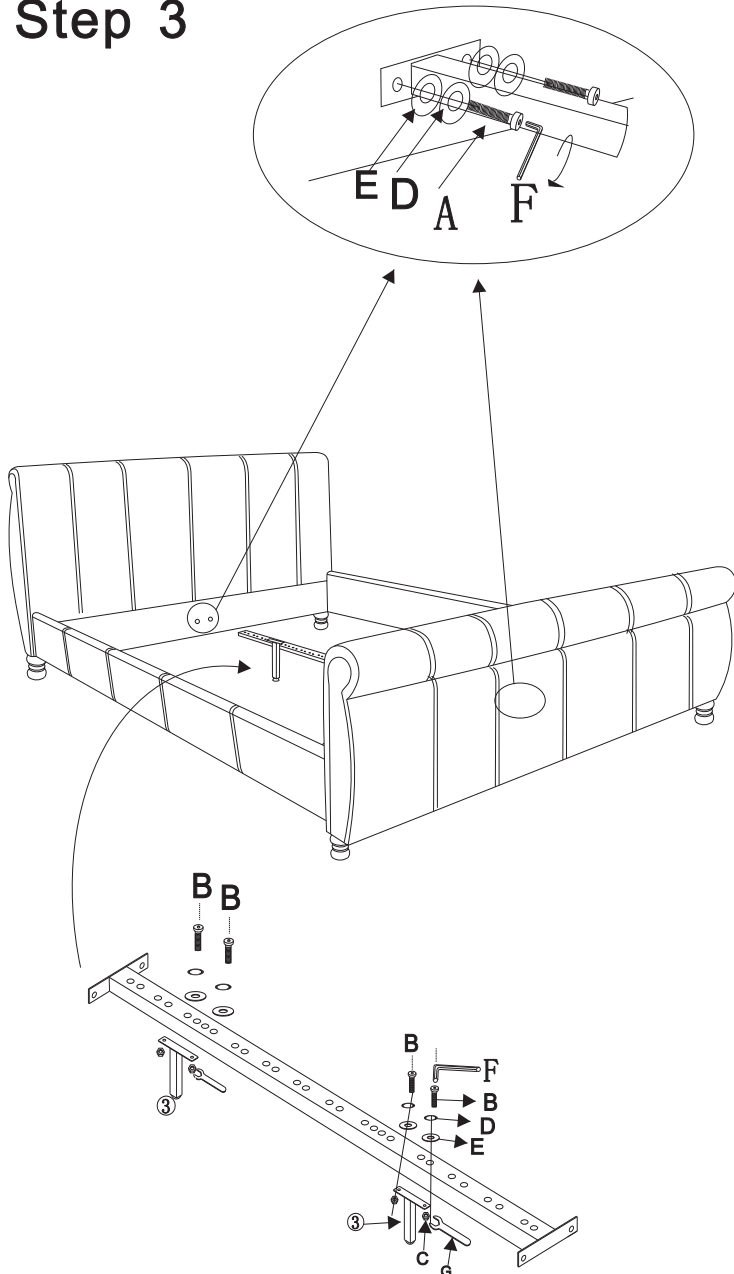
# Step 1



# Step 2



# Step 3



# Step 4

