

5 DAY
DELIVERY



QMP

5 DAY PRODUCTS

EXPRESS LOCKERS

Quality compartment lockers suitable for a multitude of storage applications. Express lockers provide the flexibility of two sizes with four door options. The Express Locker is supplied with a light grey carcass and either light grey or a blue door.

- Choice of 300mm and 450mm depths.
- 1, 2, 4 and 6 door lockers fitted with galvanised security shelf to prevent any unauthorised access to the compartment below.
- Fitted with standard, mastered cam locks with 2,000 differs.
- Single tier lockers fitted with top shelf and coat hook.
- Two tier lockers fitted with coat hook in each compartment.
- Strengthened and ventilated doors with rubber buffers.
- Powder coated with Germ Guard Active Technology.
- Order quantities may apply, please speak to the sales team.
- Complete with rust resisting galvanised shelves.

H.1800 W.300 D.300		
Tiers	Code	Price
1	LQ1830301	£76.24
2	LQ1830302	£93.74
4	LQ1830304	£109.06
6	LQ1830306	£133.64

H.1800 W.300 D.450		
Tiers	Code	Price
1	LQ1830451	£88.81
2	LQ1830452	£105.53
4	LQ1830454	£126.67
6	LQ1830456	£145.11

5 DAY DELIVERY

COLOUR OPTIONS

Please add corresponding letters to the end of the code



WORKPLACE CUPBOARDS

These general workplace cupboards and cabinets bring a combination of storage, mobility and security to the workplace. A weld and rivet construction provides all-round robustness.

- "No Snag" handles with 2-point locking.
- Strengthened doors.
- Adjustable powder coated shelves.
- Wall cupboards are pre-drilled for mounting - fixings not supplied.
- Powder coated with Germ Guard Active Technology anti-bacterial paint.

COLOUR OPTIONS

Please add corresponding letters to the end of the code



Floor Cupboards					
Size H.W.D.	Shelves	Code	Price	Extra Shelf	Price
1800.900.460	3	CG189046Z	£284.18	CGES9046ZL	£19.27
900.900.460	2	CG909046Z	£209.85	CGES9046ZL	£19.27



HAZARDOUS CUPBOARDS

- "No snag" handles with 2-point locking.
- Adjustable spill-retaining galvanized shelves for superior spill management*.
- Integral liquid-tight sump encourages the correct handling of spills through the use of absorbents*.
- Wall cupboards are pre-drilled for mounting (fixings not included).
- Floor chests have a welded integrated sump, angled lid to discourage article placement and a hasp and staple lock - padlock not supplied.
- New regulation labels enclosed to be fitted by customer to suit regulations.
- Stands raise cupboards by 500mm with an adjustable foot for uneven surfaces.



FLOOR CUPBOARDS



CZ709046ZYXX



CZ703530ZYXX



CZ189046ZYXX

Floor Cupboards

Size H.W.D.	Shelves	Code	Price	Extra Shelves	Code	Price
1800.900.460	3	CZ189046ZYXX	£290.95	W.900 x D.460	CZES9046ZYXX	£30.17
1800.1200.460	3	CZ181246ZYXX	£343.00	W.1200 x D.460	CZES1246ZYXX	£34.81
1200.900.460	2	CZ129046ZYXX	£247.15	W.900 x D.460	CZES9046ZYXX	£30.17
900.460.460	1	CZ904646ZYXX	£152.36	W.460 x D.460	CZES4646ZYXX	£23.21
900.900.460	1	CZ909046ZYXX	£195.69	W.900 x D.460	CZES9046ZYXX	£30.17
700.350.300	1	CZ703530ZYXX	£129.30	W.350 x D.300	CZES3530ZYXX	£18.57
700.900.460	1	CZ709046ZYXX	£178.70	W.900 x D.460	CZES9046ZYXX	£30.17

MOBILE CUPBOARDS



Mobile Cupboards

Size H.W.D.	Shelves	Code	Price
1040.900.460	1	CZ109046MYXX	£310.96
840.900.460	1	CZ849046MYXX	£285.31

FLOOR CHESTS



Floor Chests

Size H.W.D.	Code	Price
610.1170.460	CZ611146ZYXX	£330.69
510.610.340	CZ516134ZYXX	£211.18

WALL CUPBOARDS



Wall Cupboards

Size H.W.D.	Shelves	Code	Price
570.850.255	1	CZ855725ZYXX	£169.40

STANDS



Stands

To Fit	Code	Price
W.460 x D.460	CZST4646ZYXX	£69.62
W.900 x D.460	CZST9046ZYXX	£77.75
W.350 x D.300	CZST3530ZYXX	£69.62



TEAM LEADER WORKDESKS

A range of robustly constructed workstations designed for Team Leaders, Supervisors or Line Managers. Fully welded steel frame work ideal for tough environments with a range of accessories both above and below the workstation. The compact design recognises the pressure on factory workspace but still allows the team leader to have a workstation with everything they need. Colour coordinated range of tops for area segregation are available.

- Two depths available 460mm and 600mm.
- Full range of accessories.
- Sloping and Flat top versions available.
- Fully welded robust frame.
- Polyester powder coated with 4 colour combinations for area segregation.
- Ideal for standing at to improve health and fitness, but can be used in conjunction with an industrial stool or chair.



5 DAY DELIVERY



Workstation Only

Description	Size H.W.D.	Code	Price
Sloping Top	1060.1000.460	TLS1010461LX	£182.58
Sloping Top	1060.1000.600	TLS1010601LX	£192.78

Workstation Only

Description	Size H.W.D.	Code	Price
Flat Top	920.1000.460	TLF9210461LX	£182.58
Flat Top	920.1000.600	TLF9210601LX	£192.78



Workstation with Single Drawer

Description	Size H.W.D.	Code	Price
Sloping Top	1060.1000.460	TLS1010462LX	£305.40
Sloping Top	1060.1000.600	TLS1010602LX	£315.60
Flat Top	920.1000.460	TLF9210462LX	£305.40
Flat Top	920.1000.600	TLF9210602LX	£315.60

Workstation with Two Single Drawers

Description	Size H.W.D.	Code	Price
Sloping Top	1060.1000.460	TLS1010463LX	£428.22
Sloping Top	1060.1000.600	TLS1010603LX	£438.42
Flat Top	920.1000.460	TLF9210463LX	£428.22
Flat Top	920.1000.600	TLF9210603LX	£438.42

TEAM LEADER WORKDESKS

5 DAY DELIVERY



Workstation with Cupboard

Description	Size H.W.D.	Code	Price
Sloping Top	1060.1000.460	TL51010464LX	£292.62
Sloping Top	1060.1000.600	TL51010604LX	£321.87
Flat Top	920.1000.460	TLF9210464LX	£292.62
Flat Top	920.1000.600	TLF9210604LX	£321.87



Workstation with Single Drawer & Cupboard

Description	Size H.W.D.	Code	Price
Sloping Top	1060.1000.460	TL51010465LX	£415.44
Sloping Top	1060.1000.600	TL51010605LX	£425.64
Flat Top	920.1000.460	TLF9210465LX	£415.44
Flat Top	920.1000.600	TLF9210605LX	£425.64



Workstation with Triple Drawer

Description	Size H.W.D.	Code	Price
Sloping Top	1060.1000.460	TL51010466LX	£415.78
Sloping Top	1060.1000.600	TL51010606LX	£425.98
Flat Top	920.1000.460	TLF9210466LX	£415.78
Flat Top	920.1000.600	TLF9210606LX	£425.98



Workstation with Triple Drawer & Cupboard

Description	Size H.W.D.	Code	Price
Sloping Top	1060.1000.460	TL51010469LX	£525.82
Sloping Top	1060.1000.600	TL51010609LX	£536.02
Flat Top	920.1000.460	TLF9210469LX	£525.82
Flat Top	920.1000.600	TLF9210609LX	£536.02



Workstation with Double Cupboard

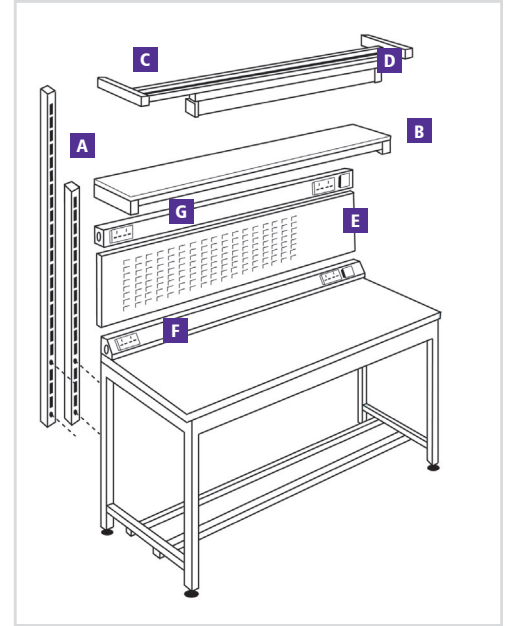
Description	Size H.W.D.	Code	Price
Sloping Top	1060.1000.460	TL51010468LX	£367.58
Sloping Top	1060.1000.600	TL51010608LX	£377.78
Flat Top	920.1000.460	TLF9210468LX	£367.58
Flat Top	920.1000.600	TLF9210608LX	£377.78



Workstation with Triple Drawer & Single Drawer

Description	Size H.W.D.	Code	Price
Sloping Top	1060.1000.460	TL51010467LX	£538.60
Sloping Top	1060.1000.600	TL51010607LX	£548.80
Flat Top	920.1000.460	TLF9210467LX	£538.60
Flat Top	920.1000.600	TLF9210607LX	£548.80

SQUARE TUBE WORKBENCHES



5 DAY DELIVERY

250KG T.M.S.
EVENLY DISTRIBUTED

SOLID BEECH WORKTOP 27MM THICK



Solid Beech Worktop

Size H.W.D.	Code	Price
840.1500.750	BQ841575BLXX	£403.39
840.1500.900	BQ841590BLXX	£438.35
840.1800.750	BQ841875BLXX	£437.69
840.1800.900	BQ841890BLXX	£453.22

LAMINATE WORKTOP 20MM THICK



Laminate Worktop

Size H.W.D.	Code	Price
840.1500.750	BQ841575PLXX	£338.46
840.1500.900	BQ841590PLXX	£395.52
840.1800.750	BQ841875PLXX	£345.26
840.1800.900	BQ841890PLXX	£406.75

DRAWER & CUPBOARD OPTIONS



Description	Code	Price
Single Drawer 220 x 420 x 420	BEDR04021	£139.14
Triple Drawer 435 x 420 x 420	BEDR04043	£264.20
Cupboard Unit 435 x 420 x 420	BECU04041	£124.66

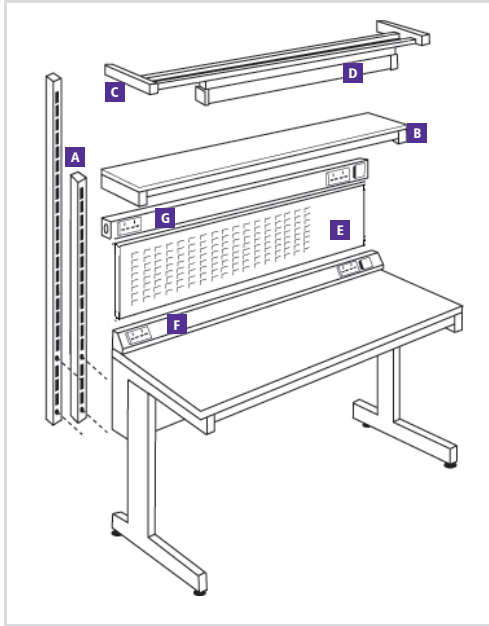
- General workshop bench suitable for use in assembly, production and light engineering.
- Height adjustable feet for easy leveling.
- Powder coated light grey framework.
- MFC, linoleum, beech and laminate worktop options available.
- Full range of accessories available including drawers, cupboards, shelves, louvre panels and service ducts.
- Standard bench height: 840mm - 760mm and 920mm also available.
- Delivered in knock-down form.

WORKBENCH ACCESSORIES

General Purpose Bench Accessories

Key	Description	Code	Price
A	760mm Rear Support Posts	BESP760SXXX	£59.02
A	1180mm Rear Support Posts	BESP1180SXXX	£71.75
B	Upper shelf 300mm Laminate for 1200mm bench	BEUS1200PXXX	£82.43
B	Upper shelf 300mm Laminate for 1500mm bench	BEUS1500PXXX	£98.69
B	Upper shelf 300mm Laminate for 1800mm bench	BEUS1800PXXX	£117.46
C	Light/Tool Rail Support for 1200mm bench	BERS1200XLXX	£61.69
C	Light/Tool Rail Support for 1500mm bench	BERS1500XLXX	£66.35
C	Light/Tool Rail Support for 1800mm bench	BERS1800XLXX	£68.68
D	Fluorescent Light	BELF1200LXX	£34.92
E	Louvred back panel with pinboard for 1200mm bench	BELO4812IXXX	£114.08
E	Louvred back panel with pinboard for 1500mm bench	BELO4815IXXX	£124.55
E	Louvred back panel with pinboard for 1800mm bench	BELO4818IXXX	£138.52
F	Worktop service duct for 1200mm bench	BESDWT122XXX	£95.45
F	Worktop service duct for 1500mm bench	BESDWT15XXX	£97.78
F	Worktop service duct for 1800mm bench	BESDWT18XXX	£102.44
	Flat Screen Support Arm	BEMONARMLSC	£54.56

CANTILEVER WORKBENCHES



5 DAY DELIVERY



250KG TMS
EVENLY DISTRIBUTED

- General workshop bench suitable for use in assembly, production and light engineering.
- Cantilever construction allows maximum leg room.
- Height adjustable feet for easy levelling.
- Powder coated light grey framework.
- Linoleum, MFC, Beech and Laminate worktop options available.
- Full range of accessories available including drawers, cupboards, shelves, louvre panels and service ducts.
- Standard bench height: 840mm - 760mm and 920mm also available.
- Delivered in knock-down form.

WORKBENCH ACCESSORIES

General Purpose Bench Accessories

Key	Description	Code	Price
A	760mm Rear Support Posts	BESP760SXXX	£59.02
A	1180mm Rear Support Posts	BESP1180XXX	£71.75
B	Upper shelf 300mm Laminate for 1200mm bench	BEUS1200PXXX	£82.43
B	Upper shelf 300mm Laminate for 1500mm bench	BEUS1500PXXX	£98.69
B	Upper shelf 300mm Laminate for 1800mm bench	BEUS1800PXXX	£117.46
C	Light/Tool Rail Support for 1200mm bench	BERS1200XLXX	£61.69
C	Light/Tool Rail Support for 1500mm bench	BERS1500XLXX	£66.35
C	Light/Tool Rail Support for 1800mm bench	BERS1800XLXX	£68.68
D	Fluorescent Light	BELF1200LXX	£34.92
E	Louvred back panel with pinboard for 1200mm bench	BELO4812IXXX	£114.08
E	Louvred back panel with pinboard for 1500mm bench	BELO4815IXXX	£124.55
E	Louvred back panel with pinboard for 1800mm bench	BELO4818IXXX	£138.52
F	Worktop service duct for 1200mm bench	BESDWT122XXX	£95.45
F	Worktop service duct for 1500mm bench	BESDWT15XXX	£97.78
F	Worktop service duct for 1800mm bench	BESDWT18XXX	£102.44
	Flat Screen Support Arm	BEMONARMLSC	£54.56

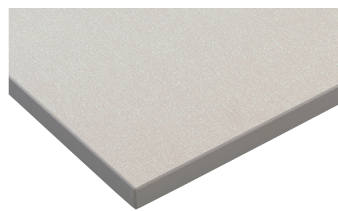
SOLID BEECH WORKTOP 27MM THICK



Solid Beech Worktop

Size H.W.D.	Code	Price
840.1500.750	BC841575BLXX	£403.39
840.1500.900	BC841590BLXX	£438.35
840.1800.750	BC841875BLXX	£437.69
840.1800.900	BC841890BLXX	£453.22

LAMINATE WORKTOP 20MM THICK



Laminate Worktop

Size H.W.D.	Code	Price
840.1500.750	BC841575PLXX	£338.46
840.1500.900	BC841590PLXX	£395.52
840.1800.750	BC841875PLXX	£345.26
840.1800.900	BC841890PLXX	£406.75

DRAWER & CUPBOARD OPTIONS



Description	Code	Price
Single Drawer 220 x 420 x 420	BEDR04021	£139.14
Triple Drawer 435 x 420 x 420	BEDR04043	£264.20
Cupboard Unit 435 x 420 x 420	BEUC04041	£124.66

SHELF TRUCKS

Hand trucks with multi-shelf storage for general commercial and heavy duty use. Ideal for storage of work in progress and for transporting between areas.

- Recessed steel shelves for load retention.
- Fitted with 2 fixed and 2 swivel 6" heavy duty castors.
- Fully welded construction.
- Only available in light grey.



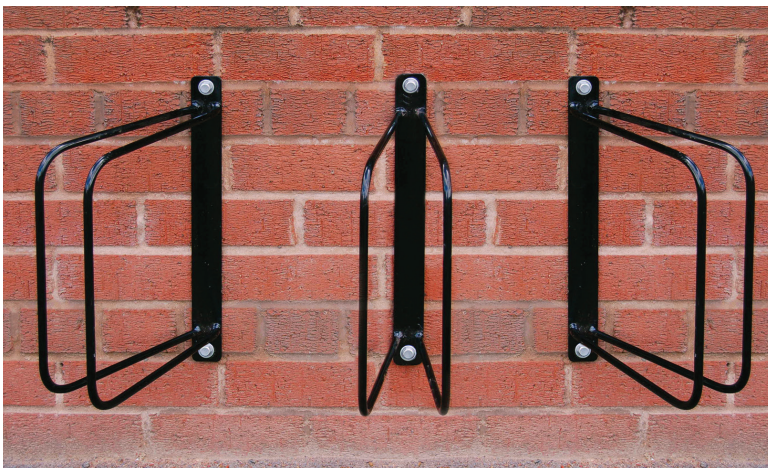
3 Tier shelf truck
RTST90603S

2 Tier shelf truck
RTTST90602

Platform truck
RTPTS6900

Shelf Trucks

O/A Dims.mm H x W x D	Description	Steel Top Code	Price
1050.600.900	Platform	RTPTS6900	£255.22
1050.600.1200	Platform	RTPTS6120	£275.84
1050.900.600	2 tier	RTTST90602	£376.38
1050.900.600	3 tier	RTST90603S	£407.31



CYCLE RACKS

These cost effective cycle racks for one bike are available in three designs with a choice of 90° or 60° angle to the wall.

- Fully welded construction.
- Made from mild steel.
- Choice of 90° or 60° angles.
- Powder coated exterior grade black.

Minimalist Design H.400 x W.100 x D.260

Angle	Code	Price
90 Degrees	SRCSM904011A	£32.19
60 Degrees	SRCSM604011A	£32.19



Double Sided H.560 x W.570 x D.120

Angle	Code	Price
2 Bikes	SRCSFM25656A	£64.62



Single Sided H.560 x W.310 x D.120

Capacity	Code	Price
1 Bike	SRCSFM15631A	£45.56

5 DAY DELIVERY

CANTEEN FURNITURE

Provide economical seating for vending, refreshment and rest areas. Simplify cleaning of dining areas, with clear access to floor. Maintain planned layout, eliminate furniture movement. Modular units combine tables and seats in a wide range of seating arrangements enabling you to design your own layout. One piece moulded polypropylene seats available in blue, are easy to clean.

- Blue seats available on 5 day delivery; red & black seats made to order.
- Fully welded canteen unit with polypropylene seat shells.
- Powder coated frames in black.
- MFC table tops come in a light grey, with PVC edging for extra strength and protection.
- Available in 2 seater single entry, 4 seater single entry, 4 seater double entry, 6 seater single entry and 6 seater double entry.
- Optional Floor Fixings Available.



■ Table Top: 535mm x 600mm

2 Seat Single Entry		
Size H.W. L	Code	Price
725. 1690. 530	B6FASTFD2SE	£182.91



■ Table Top: 1070mm x 600mm

4 Seat Double Entry		
Size H.W. L	Code	Price
725. 1690. 1070	B6FASTFD4DE	£266.55



■ Table Top: 1070mm x 600mm

4 Seat Single Entry		
Size H.W. L	Code	Price
725. 1690. 1070	B6FASTFD4SE	£266.55



■ Table Top: 1580mm x 600mm

6 Seat Double Entry		
Size H.W. L	Code	Price
725. 1690. 1580	B6FASTFD6DE	£367.77



■ Table Top: 1580mm x 600mm

6 Seat Single Entry		
Size H.W. L	Code	Price
725. 1690. 1580	B6FASTFD6SE	£367.77

BARRIERS

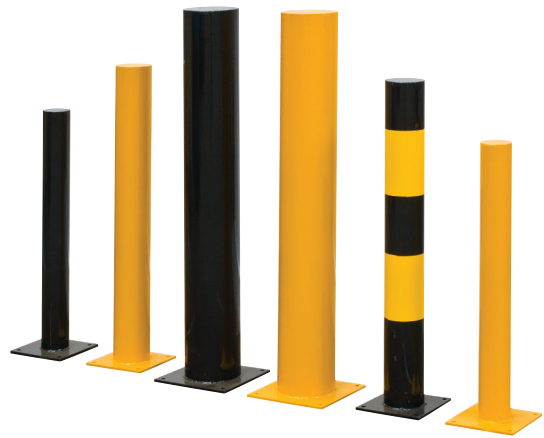
STRAIGHT UNIT BARRIERS



These safety barriers are designed for creating protective barriers around machinery and equipment and for defining walkways through industrial, manufacturing and warehousing areas.

Straight Barrier Units				
Size L.H.	Mesh Infill	Price	Open Barrier	Price
1200.900	RBST1290MYXX	£190.76	RBST1290OYXX	£144.55
1200.1100	RBST1211MYXX	£240.74	RBST1211OYXX	£185.37
2400.900	RBST2490MYXX	£305.20	RBST2490OYXX	£215.20
2400.1100	RBST2411MYXX	£319.52	RBST2411OYXX	£222.71

PROTECTIVE POSTS



- Designed to protect building doorways from accidental damage.
- Fully welded construction for floor mounting - fixings included.
- Extra height posts available on request for embedding into concrete.
- Powder coated in yellow or black.

*Only codes listed in red are available for 5 day delivery.

Protective Posts			
Size H. W.	Colour Option	Code	Price
1100.170	Yellow	RBPP110170YX	£167.17
	Black	RBPP110170AX	£167.17
	Yellow & Black	RBPP110170WX	£167.17
915.115	Yellow	RBPP915115YX	£110.91
	Black	RBPP915115AX	£110.92
	Yellow & Black	RBPP915115WX	£110.92
760.90	Yellow	RBPP76090YXX	£96.74
	Black	RBPP76090AX	£96.74
	Yellow & Black	RBPP76090WX	£96.74

MODULAR BARRIERS



- An economical range of protection barriers for the end of pallet racking bays.
- Constructed from heavy gauge steel tube and fully welded no on-site assembly.
- Powder coated high visibility yellow.
- Heavy duty floor fixing plate with bolts included.
- 6 sizes for single or double bays.

Modular Barriers		
Size (Length)	Code	Price
To suit 700mm	RBMODB700YX	£132.60
To suit 900mm	RBMODB900YX	£147.90
To suit 1100mm	RBMODB1100YX	£168.30
To suit 1500mm	RBMODB1500YX	£183.60
To suit 1900mm	RBMODB1900YX	£224.40
To suit 2300mm	RBMODB2300YX	£249.90

LOW LEVEL BARRIERS



- Designed to protect machinery from damage by fork lift or pallet trucks.
- Fully welded construction from box section.
- Powder coated yellow or black as standard.
- Supplied with floor fixings.
- Angled steel corner protectors.



Low Level Barriers			
Size H.W.	Colour Option	Code	Price
300.1200	Yellow	RBLLSB1200YX	£114.30
	Black	RBLLSB1200AX	£114.30
300.800	Yellow	RBLLSBX800YX	£89.45
	Black	RBLLSBX800AX	£89.45
300.400	Yellow	RBLLSBX400YX	£79.51
	Black	RBLLSBX400AX	£79.51

Corner Protectors			
Size H.W.D.	Colour Option	Code	Price
300.300.300	Yellow	RBLLSCX300YX	£68.58
	Black	RBLLSCX300AX	£68.58

GUARD BARRIERS



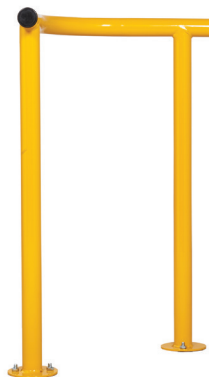
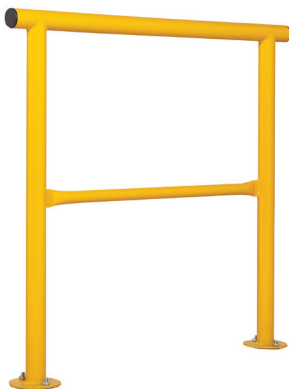
These attractive tubular, safety barriers are ideal for protecting walkways around machinery and shelving and for defining walkways though industrial, manufacturing and warehouse areas.

- Fully welded construction.
- Powder coated high visibility yellow.
- Supplied with floor fixings.



Long Guard Barrier

Size H.L mm	Code	Prize
940.2000	RBLGB9420YXX	£182.00



• Maxium pillar size; W600 x D480mm

Short Guard Barrier

Size H.L mm	Code	Prize
940.1000	RBSGB9410YXX	£139.00

Pillar Guard Barrier

Size H.W.D mm	Code	Prize
850.750.700	RBPG8575YXX	£178.00

Corner Guard Barrier

Size H.W.D mm	Code	Prize
940.530.530	RBCGB9453YXX	£155.00

HEAVY DUTY WORKBENCHES



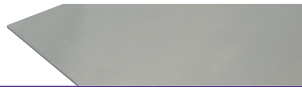
- Heavy duty bench suitable for heavy duty applications such as engineering and manufacturing.
- Fully welded construction for extra strength.
- Powder coated dark grey framework.
- Steel plate, birch hardwood, linoleum and laminate worktop options.
- Full range of accessories available including drawers*, cupboards*, shelves and sliding doors.
- Standard bench height: 840mm - 760mm and 920mm also available.

*Only light grey door/drawer & dark grey carcass available on 5 day delivery.

NEW TO 5 DAY DELIVERY

**1200KG TMC
EVENLY DISTRIBUTED**

STEEL PLATE WORKTOP 2MM THICK



Size H.W.D.	Code	Price
840.1200.750	BJ841275SKXX	£311.92
840.1500.750	BJ841575SKXX	£380.55
840.1800.750	BJ841875SKXX	£400.57

SOLID BEECH WORKTOP 27MM THICK



Size H.W.D.	Code	Price
840.1200.750	BJ841275BKXX	£357.47
840.1500.750	BJ841575BKXX	£524.69
840.1800.750	BJ841875BKXX	£537.45

LAMINATE WORKTOP 20MM THICK



Size H.W.D.	Code	Price
840.1200.750	BJ841275PKXX	£345.71
840.1500.750	BJ841575PKXX	£430.41
840.1800.750	BJ841875PKXX	£441.56

Drawer & Cupboard Options

Description	Code	Price
Single Drawer 220 x 420 x 420	BXDR04021	£147.25
Triple Drawer 435 x 420 x 420	BXDR04043	£253.00
Cupboard Unit 560 x 420 x 420	BXCU04051	£160.64

Heavy Duty Bench Accessories

Key	Description	Code	Price
A	760mm Rear Support Posts	BESP760SXXX	£59.02
A	1180mm Rear Support Posts	BESP1180SXXX	£71.75
B	Upper shelf 300mm Laminate for 1200mm bench	BEUS1200PXXX	£82.43
B	Upper shelf 300mm Laminate for 1500mm bench	BEUS1500PXXX	£98.69
B	Upper shelf 300mm Laminate for 1800mm bench	BEUS1800PXXX	£117.46
C	Light/Tool Rail Support for 1200mm bench	BERS1200LXX	£61.69
C	Light/Tool Rail Support for 1500mm bench	BERS1500LXX	£66.35
C	Light/Tool Rail Support for 1800mm bench	BERS1800LXX	£68.68
D	Fluorescent Light	BELF1200LXX	£34.92
E	Louvred back panel with pinboard for 1200mm bench	BELO4812IXXX	£114.08
E	Louvred back panel with pinboard for 1500mm bench	BELO4815IXXX	£124.55
E	Louvred back panel with pinboard for 1800mm bench	BELO4818IXXX	£138.52
F	Worktop service duct for 1200mm bench	BESDWT122XXX	£95.45
F	Worktop service duct for 1500mm bench	BESDWT15XXX	£97.78
F	Worktop service duct for 1800mm bench	BESDWT18XXX	£102.44
	Flat Screen Support Arm	BEMONARMFLSC	£54.56

Call us:
01384 899800

Fax us:
01384 899801

Email us:
sales@qmp.uk.com



100% Recyclable



Available through a network of established distributors whose professional expertise is backed by QMP specialist technical services. Brochure design, illustrations and all products illustrated are QMP copyright. Errors and omissions excepted.

Printed on paper made from totally chlorine free pulp (TCF) from sustainable sources