

Ajax

Series **XP** FLAMEPROOF PRESSURE SWITCHES



CE

2813

Ex

I M2 / II 2G (Ta = -20 C to + 50 C)

EExd 1 / 11B + H₂ T6

- **SIRA** Certificate No: 03ATEX1507 Issue 2
EU Directive 2014/34/EU (ATEX Directive)
CENELEC EN 50014, EN 50018
(Zones 1 and 2 Hazardous Areas)
- **Weatherproof Enclosure in Gunmetal BS EN 1982 LG2/LG4 or Stainless Steel BS 3100 316C16.**
Environmental Protection Approval to IP66
according to IEC-144.
- **Versatility of Switching Circuits.**
- **Rugged Construction, Vibration and Shock Resistant.**
- **Pressure Range:**
0.1 - 220 BAR G (2 - 3200 PSIG.)

The Bamford Ajax XP series of Flameproof Pressure Switches are a new generation of ruggedly constructed devices for automatic control and reliable protection of machinery and plant in hazardous areas. The units can operate over a wide temperature environment and can be mounted in any attitude without affecting their performance. The functionally designed enclosure is standard on all models to meet the arduous conditions experienced in the petro-chemical and offshore industries. Single or double cable entries are available for fitting with approved cable glands. The standard precision snap action micro-switch is a single pole double throw type; however, one or two microswitches with silver plated noble metal contacts may be fitted to provide versatility of switching circuits. All models are factory set but field adjustable. Two types of sensing element are available, either a metal bellows for high sensitivity or a synthetic diaphragm for high over pressure resistance.

F. Bamford (Instruments) Ltd.

Ajax Works,
Whitehill,
Stockport, SK4 1NT. United Kingdom.

Telephone: 0161-480 6507

Fax: 0161-474 7990

Web: www.bamfordinstruments.com

Email: sales@bamfordinstruments.com

Specifications

SETTING RANGES

Model No.	Range		Differential (STD)		Proof Pressure		Sensing Element
	Bar G	psig.	Bar G	psig.	Bar G	psig.	
XP/LP/1	0.1-0.7	2-10	0.3	5	20	300	Bellows
XP/LP/2	0.7-3.5	10-50	0.3	5	20	300	Bellows
XP/LP/3	3.5-9.6	50-140	0.7	10	20	300	Bellows
XP/LP/4	9.6-17.2	140-250	1.4	20	20	300	Bellows

Pressure Connections:

Bellows type BSP - 3/4" male
Other connections available on request.

Conduit Entry:

Either one or two
M20 or M25 x 1.5 pitch.

Connector Size: 0.5mm²-2.5mm²

Earthing Screw: M5.

Ambient Temperature Range of Switch

Enclosure: -20°C to +50°C

Maximum Operating Temperature Range

of Working Medium: -10°C to +93°C

SWITCH RATING (STANDARD)

VOLTS	DC		AC	
	RES	IND	RES	IND
30	10A	10A	10A	10A
125	0.5A	0.07A	10A	10A
250	0.25A	0.03A	10A	10A

Alternative switches may be fitted for 440 volts or intrinsic safe circuits.

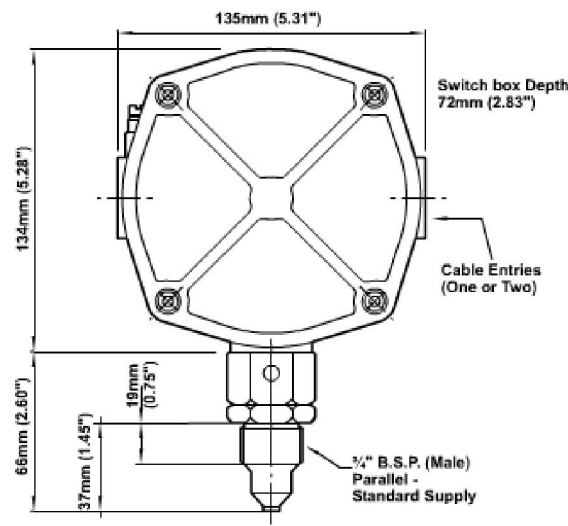
Switch Housing:

Manufactured in either:
Gunmetal BS EN 1982 LG2/LG4
Stainless steel BS 3100 316C16

Wetted parts:

Manufactured in either:
Stainless steel 316
Brass BS 2874 CZ 121

Dimension Drawing



Bellows Pressure Switch

These drawings are representative of the range of switches available. Please consult the factory for a detailed drawing/specification sheet.