

DARCY



EST. 1959
ELITE
LEATHER
COMPANY

DARCY | 118

BACK. UPHOLSTERED, TIGHT

SEAT. LOOSE BOXED CUSHION,
FEATHER BLEND, NONREVERSIBLE

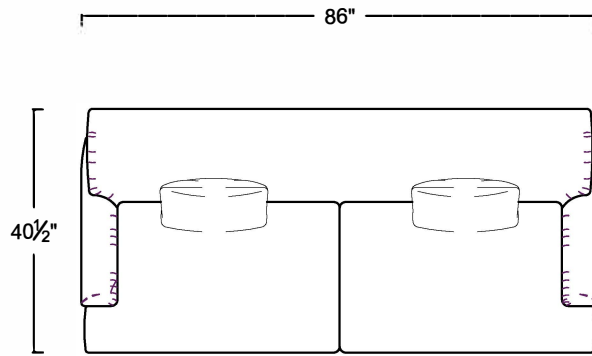
LEGS. WOOD FINISH LEGS WITH
METAL CASTER

AVAILABLE WOOD FINISHES:

NATURAL
WALNUT
JAVA
FRENCH GREY
COFFEE BEAN
BLACK
ASH

AVAILABLE METAL FINISHES:

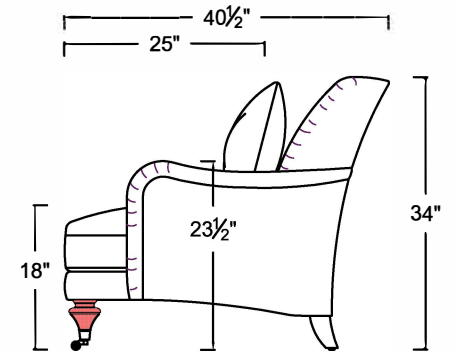
ANTIQUÉ BRASS



L184-118-3 (LEATHER)

F184-118-3 (FABRIC)

SOFA



NOT TO SCALE

SCALE: 3/8" = 1'-0". L OR R REFER TO LEFT- OR RIGHT- FACING, AS DETERMINED BY FACING THE PIECE.

ELITE LEATHER COMPANY RESERVES THE RIGHT TO CHANGE DIMENSIONS AND PRODUCTS OFFERED. A MORE RECENT SCHEMATIC MAY BE AVAILABLE FOR THIS COLLECTION. TO SEE THE MOST CURRENT SCHEMATIC AVAILABLE, VISIT WWW.ELITELEATHER.COM.

THIS SCHEMATIC IS CURRENT AS OF 03/2018

EST. 1959

ELITE LEATHER COMPANY