



Toyota Sienna

Northstar™, Summit™, and Northstar E™ Conversions



VMI Northstar™

with Access360®

Power In-Floor Ramp



VMI prides itself in producing the easiest to use, most accessible mobility solutions in the world. The Northstar in-floor ramp system, a VMI specialty since 1993, offers an array of accessibility features that simply cannot be matched by vehicles with fold-out ramps. VMI Northstar owners get all of the benefits of an in-floor ramp without the compromise associated with rear-entry or fold-out conversions.



30" wide ramp with 800 lb capacity accommodates the largest power wheelchairs!



In-Floor Ramp

Stowed ramp is protected within the vehicle floor with no squeaking or rattling. Keeps dirt & debris from entering the vehicle cabin.



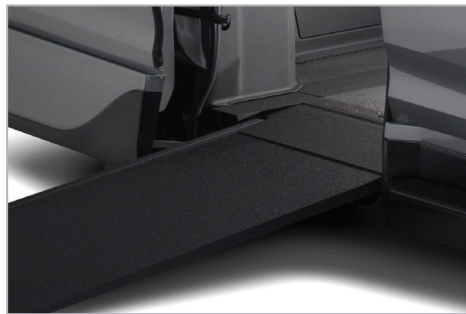
Interior Space

Clean, uncluttered interior with the industry's most interior space for wheelchair maneuverability.



Obstruction-Free Doorway

Safe entry and exit without deploying the ramp for able-bodied passengers.



PowerKneel®

Lowers the vehicle to provide a reduced ramp angle for easy entry & exit. Can be deactivated for deployment onto a curb.



Sure Deploy®

Provides a simple way to operate the ramp in the event of vehicle power loss.



The intelligent and refined Access360® conversion sets a new standard for wheelchair-accessible minivans because it provides more. More space for even the largest power chairs to enter the vehicle and maneuver inside it, more flexibility and ease of use, more pleasing aesthetics and more confidence that it will deliver a safe, high-quality owner experience at a great value.

VMI Summit™

with Access360®

Power Fold-Out Ramp



VMI also builds Toyota Sienna conversions with a traditional fold-out ramp for wheelchair users who prefer taller ramp side rails. The Summit is more reliable than ever before with a stronger, more robust fold-out ramp and stainless steel hardware that resists corrosion. The Summit conversion offers superior usability to that of any other Toyota Sienna fold-out ramp conversion.



Easy Access to Door Handle

VMI's Summit ramp does not block the interior sliding door handle.





Interior Space

Clean, uncluttered interior with plenty of interior space for wheelchair maneuverability.



PowerKneel®

Lowers the vehicle to provide a reduced ramp angle for easy entry and exit. Can be deactivated for deployment onto a curb.



Ramp perforations help remove debris and provide additional traction for wheelchair access.



Anti-Rattle Mechanism

Helps reduce ramp rattle to ensure a quieter ride.

VMI Northstar E™

with Access360®

Manual In-Floor Ramp



The Northstar E combines VMI's one-of-a-kind, manual in-floor ramp with industry-best interior space and legendary Toyota reliability to deliver unbeatable value for caregivers. Like VMI's full-power conversions, the Northstar E offers more interior space and headroom than any other wheelchair-accessible vehicle, making it ideal for large wheelchair maneuverability. Caregivers of any age or size can easily use the manual in-floor ramp thanks to its patented design that requires no bending or lifting.



Easy Manual In-Floor Ramp

Easy to use for caregivers of any age or size, requiring no bending or heavy lifting.





Obstruction-Free Doorway

Safe entry and exit without deploying the ramp for able-bodied passengers.



Flexible Seating Options

Optional flip-up mid-row seating allows a caregiver to sit next to a wheelchair user in the front or mid-row.



Interior Space

Industry's most interior space for wheelchair maneuverability.



The Northstar E offers front and mid-row wheelchair access!

1 EASY TO USE

2 ELEMENTARY

3 ECONOMICAL

Standard Features



Lowered Floor

Allows the wheelchair user a clear line of sight and provides generous headroom.



One-Touch Controls

One-touch controls make it easy to deploy or stow the fully powered Northstar or Summit ramp system using the OEM remote, VMI dash button, or other interior vehicle buttons!

Not available on the Northstar E manual conversion.



All VMI conversions come with 3 year / 36,000 mile* warranty coverage!

** whichever comes first*



Easy Front Row Access

The front row floor is free of obstacles to accommodate wheelchairs in the driver and front passenger positions.



Removable front seats are equipped with rolling casters, making them easy to remove and lock back into place.

Driver seat not removable in the Northstar E.



Front and Mid-Row Access

Wheelchair users can sit in the front row or mid row.



Fold-Down Footrest

Offers additional comfort for passengers seated on the rear bench.



Hidden Spare Tire

Allows plenty of cargo space and can be accessed easily and quickly.



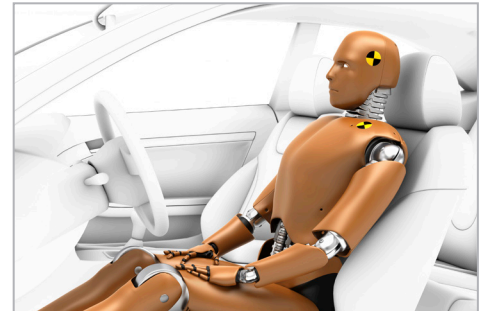
Ground Clearance

High clearance reduces scraping caused by speed bumps, crested pavement, or dips.



Step Flares

- Enables assisted access to front-row seating on both driver & passenger sides
- Microspike textured non-slip surface
- 400 lb weight capacity
- Color-matched to each vehicle



100% Crash Tested

Meets or exceeds all Federal Motor Vehicle Safety Standards governed by NHTSA (National Highway Transportation Safety Administration).



Engineered to minimize interior noise.

Optional Feature



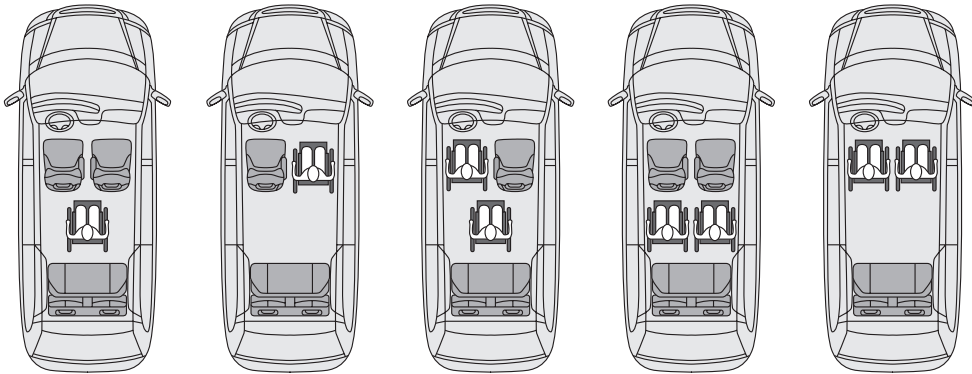
Durafloor

- Unique rubberized flooring
- Provides excellent traction for wheelchairs
- Durable and easy to clean
- Full layer of insulation reduces noise

Seating Options

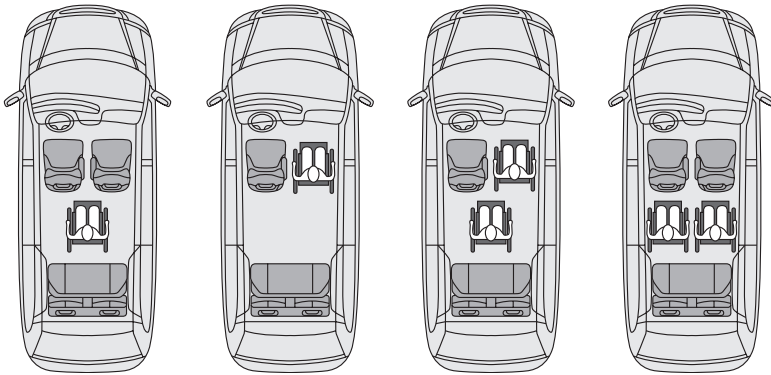
Multiple seating options for VMI's Toyota conversions allow for independence and flexibility. Wheelchair users can choose to drive from their chair*, sit in the front passenger position, or ride in the middle of the van. This diagram shows just a few of the many possible seating options.

Northstar and Summit

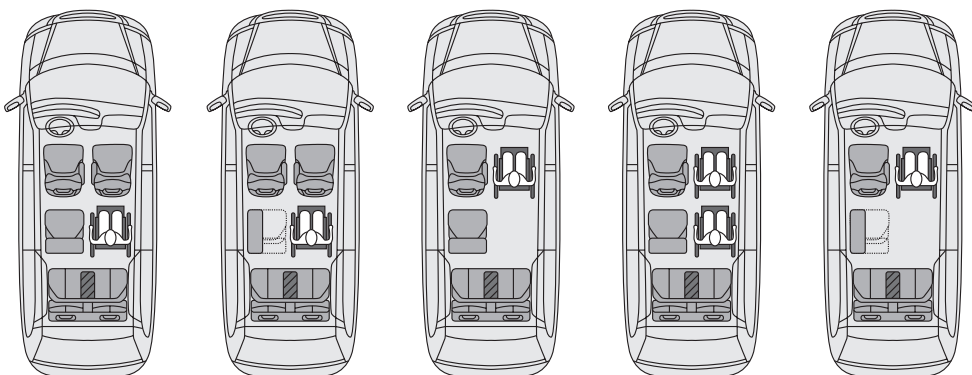


Northstar E

Without Mid-Row Seat



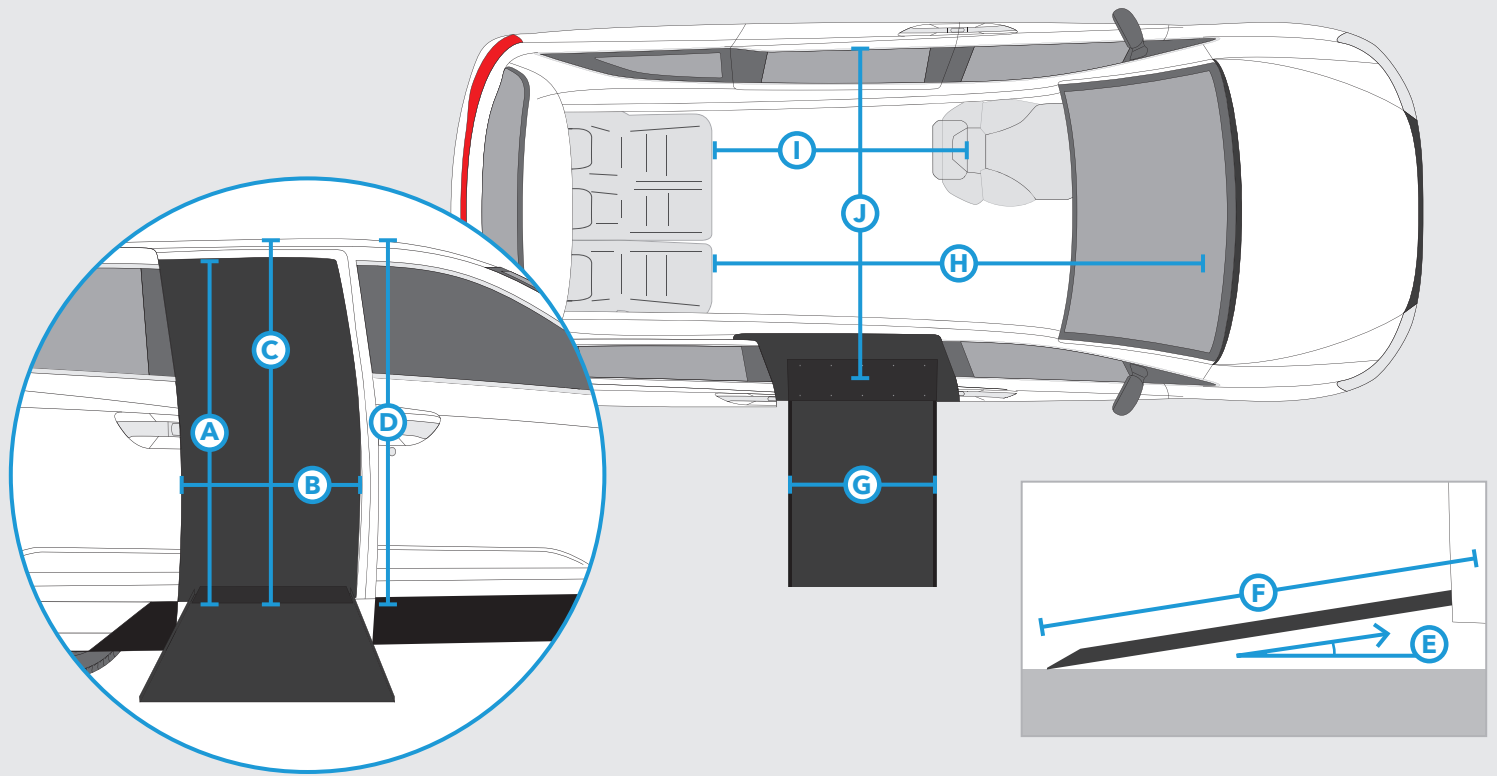
With Single Mid-Row Seat



*Wheelchair users cannot drive from their wheelchair in the Northstar E conversion because the front driver seat is not removable.

The single mid-row seat can fold up when not in use to allow more interior space. Seating options may vary based on available payload. A seat reduction kit is provided in vehicles with a mid-row seat. In the event that a van meets the 7 passenger payload requirement, the seat reduction kit will not be provided.

Specifications



	Northstar	Summit	Northstar E
A Door Opening Height	57.5"	57"	57.3"
B Door Opening Width	30"	29.8"	30"
C Interior Height at Center Position	61"	61.5"	61"
D Interior Height at Front Position	61" (without sunroof) 59.1" (with sunroof)	61" (without sunroof) 59.1" (with sunroof)	61" (without sunroof) 59.1" (with sunroof)
E Ramp Angle	9° (with PowerKneel® on)	11.2° (with PowerKneel® on)	11.1°
F Ramp Length (angled ramp and transition plate)	58.5"	55.1"	60"
G Ramp Width (usable)	30"	28.9"	30"
Ramp Capacity	800 lbs	750 lbs	800 lbs
H Floor Length Overall	94.5"	94.5"	94.5"
I Floor Length Behind Front Seats (from B pillar)	65.5"	65.5"	65.5"
J Floor Width	64.6"	61.5"	64.6"
Floor Width w/ Mid-Row Seat Folded Up	-	-	51.6"
Floor Width w/ Mid-Row Seat Folded Down	-	-	38.6"
Ground Clearance (at exhaust)	5.6"	5.6"	5.4"
Overall Vehicle Height (with roof rails)	78.3"	78.4"	78.3"

Specifications apply to 2017 VMI Toyota Sienna conversions. Measurements may vary based on vehicle trim levels and environmental factors. To ensure best vehicle fit, please visit with your local dealer to confirm vehicle measurements prior to purchase. All information is subject to change without notice. © 2017 Vantage Mobility International. All rights reserved.



Imagining Possibilities in Everything We Do

For more than 30 years, VMI has applied its innovation and expertise to build advanced mobility products that allow our customers to experience greater freedom and access to life. We are committed to you and understand how transportation can bring you greater freedom and independence. Our quality, state-of-the-art lineup of mobility products provides ease of use, maneuverability and flexibility. All of our vans have been 100% crash tested and include a 3 year / 36,000 mile (*whichever comes first*) conversion warranty.



Dealer Network

Our more than 500 dealers are trained to carefully evaluate each customer and his or her unique needs in order to recommend the right mobility product. Taking into consideration factors such as how you plan to use your mobility product and your personal disability and diagnosis, our certified mobility consultants will pair you with the right vehicle, lift, or accessory to enhance your independence. It's all part of our commitment to provide superior customer service and the most fulfilling ownership experience.



Proud Member
Since 1990



Proud Sponsor
Since 1999



855-VMI-VANS • vmivans.com • 5202 S 28th Place Phoenix, AZ 85040
(864-8267)