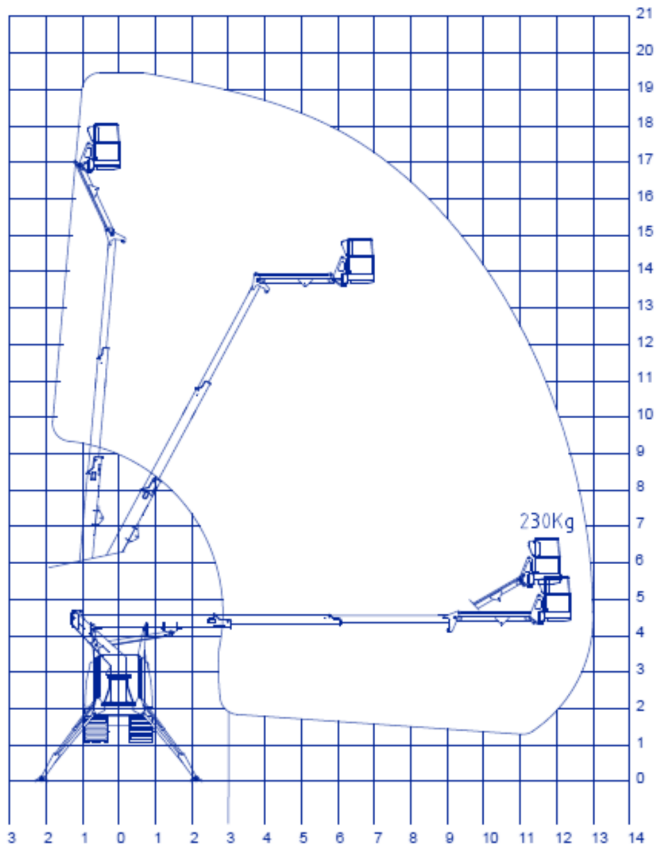


18m working height telescopic boom with jib on 5.5t tracked carrier



18m working height telescopic boom with jib on 5.5t tracked carrier

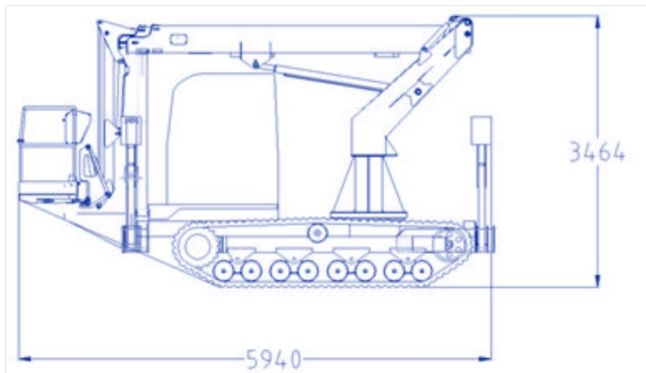


KEY SPECIFICATIONS

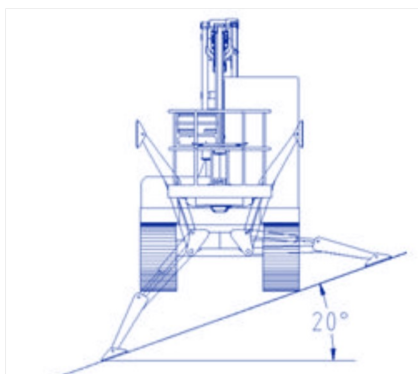
Maximum working height	18.0m
Horizontal reach	13.0m
SWL in platform (2 person)	230kg
Platform size (1.1m high)	0.75 x 1.5 m
Turret rotation - full width jacking.....	360 deg.
Max. transverse operating slope	20 deg.
Max. gradeability	33%
Max. travel speed	9 kmh
Stabiliser spread	4.0m
Travel width	2.3m
Total weight	5500kg
Ground contact area*	2.25 sq.m.

STANDARD FEATURES

- Direct hydraulic proportional controls at cage and base
- 180 degree powered cage rotation
- Four independently adjustable hydraulics tabilisers
- Two section all steel telescopic boom
- 2.1m long jib with 125 degree working arc
- Structural quality tubular aluminium cage
- Emergency lowering handpump
- Heated, enclosed isolation-mounted RPOS/FOPS cab*
- Powerful 83kW 4-cylinder Yanmar diesel engine*



Typical dimensions—Takeuchi TCR50



TYPICAL CARRIERS

- Takeuchi TCR50 / Yanmar equivalent
- Morooka MST600VD

* On Takeuchi TCR50