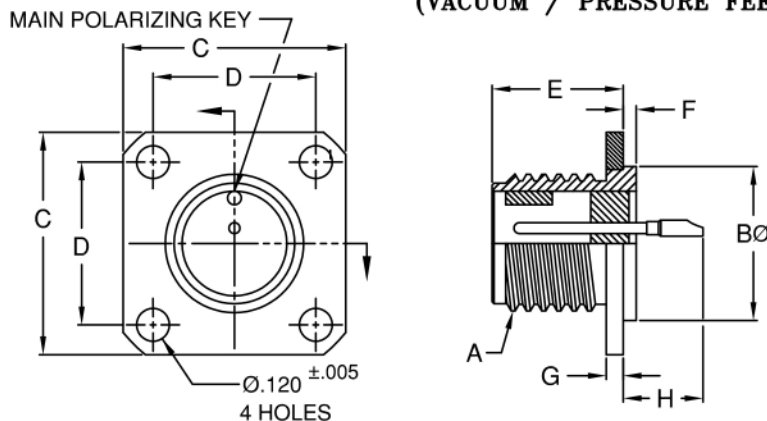


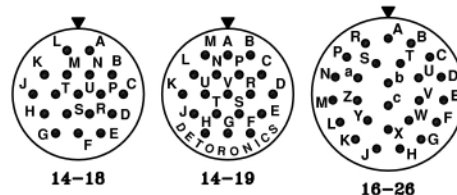
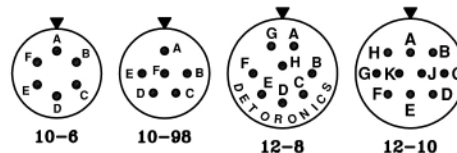
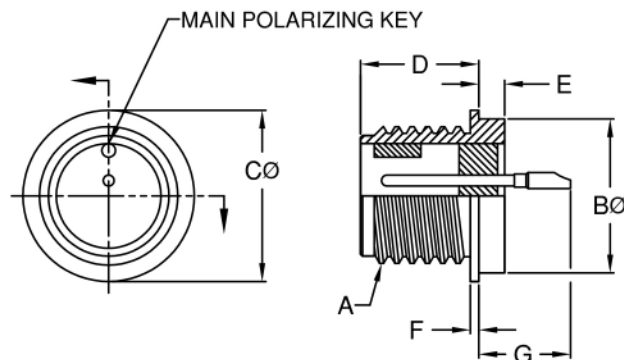
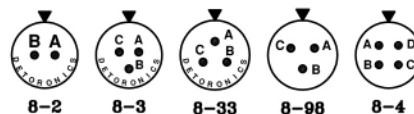
# MINIATURE HERMETIC ELECTRONIC CONNECTORS-DC SERIES

## SPECIAL ACME THREAD COUPLING MIL-DTL-26482 TYPE, COMMERCIAL EQUAL HERMETIC GLASS-TO-METAL SEALED (VACUUM / PRESSURE FEED THRUS)



PART NO.	A THREAD CLASS 2A	Bø +.001 -.005	C ±.016	D ±.005	E +.026 -.016	F ±.016	G ±.016	H MAX.
DC02H-8-#PN	.5000 DS	.562	.812	.594	.469	.047	.062	.344
DC02H-10-#PN	.6250 DS	.672	.938	.719	.469	.047	.062	.344
DC02H-12-#PN	.7500 DS	.781	1.031	.812	.469	.047	.062	.344
DC02H-14-#PN	.8750 DS	.906	1.125	.906	.469	.047	.062	.344
DC02H-16-#PN	1.0000 DS	1.031	1.219	.969	.469	.047	.062	.344

### DC02H - FLANGE MOUNT CONNECTORS



PART NO.	A THREAD CLASS 2A	Bø +.001 -.005	Cø MAX.	D +.025 -.016	E +.011 -.010	F +.006 -.005	G MAX.
DC1H-8-#PN	.5000 DS	.562	.636	.422	.094	.031	.386
DC1H-10-#PN	.6250 DS	.672	.761	.422	.094	.031	.386
DC1H-12-#PN	.7500 DS	.781	.855	.422	.094	.031	.386
DC1H-14-#PN	.8750 DS	.906	.980	.422	.094	.031	.386
DC1H-16-#PN	1.0000 DS	1.031	1.105	.422	.094	.031	.386

### DC1H - SOLDER MOUNT CONNECTORS

### ENGAGING FACE PIN INSERTS

\* ADD DESIRED INSERT ARRANGEMENT.

▼ = INSERT ARRANGEMENT IS SHOWN IN NORMAL POSITION.

OTHER SHELL SIZES, PIN PATTERNS AND INSERT POSITIONS MAY BE AVAILABLE - CONSULT FACTORY.

MATERIAL: STANDARD IS CRS SHELL, 52 NICKEL ALLOY PINS AND NO INTERFACIAL SEAL.

STANDARD PIN IS SOLDER CUP TYPE. OTHER PIN TYPES CAN BE SUPPLIED (EYELET, STRAIGHT, THERMOCOUPLE) - CONSULT FACTORY.

STANDARD FINISH IS TIN PLATED SHELL AND PINS.

OTHER FINISHES ALSO AVAILABLE (GOLD, NICKEL, OLIVE DRAB, etc.) - CONSULT FACTORY.

SPECIALS CAN BE SUPPLIED TO MEET CUSTOMER SPECIFICATIONS - CONSULT FACTORY.

#### GENERAL SPECIFICATIONS

AIR LEAKAGE:  $1 \times 10^{-6}$  CM<sup>3</sup>/SEC AT 15psi

INSULATION RESISTANCE: 5,000 megohms AT 500VDC

OPERATING TEMPERATURE: -67°F TO +257°F (-55°C TO +125°C)

CURRENT RATING: SIZE 20: 5 AMPS

**Detronics Corporation**

13071 ROSECRAINS AVE, SANTA FE SPRINGS, CA 90670

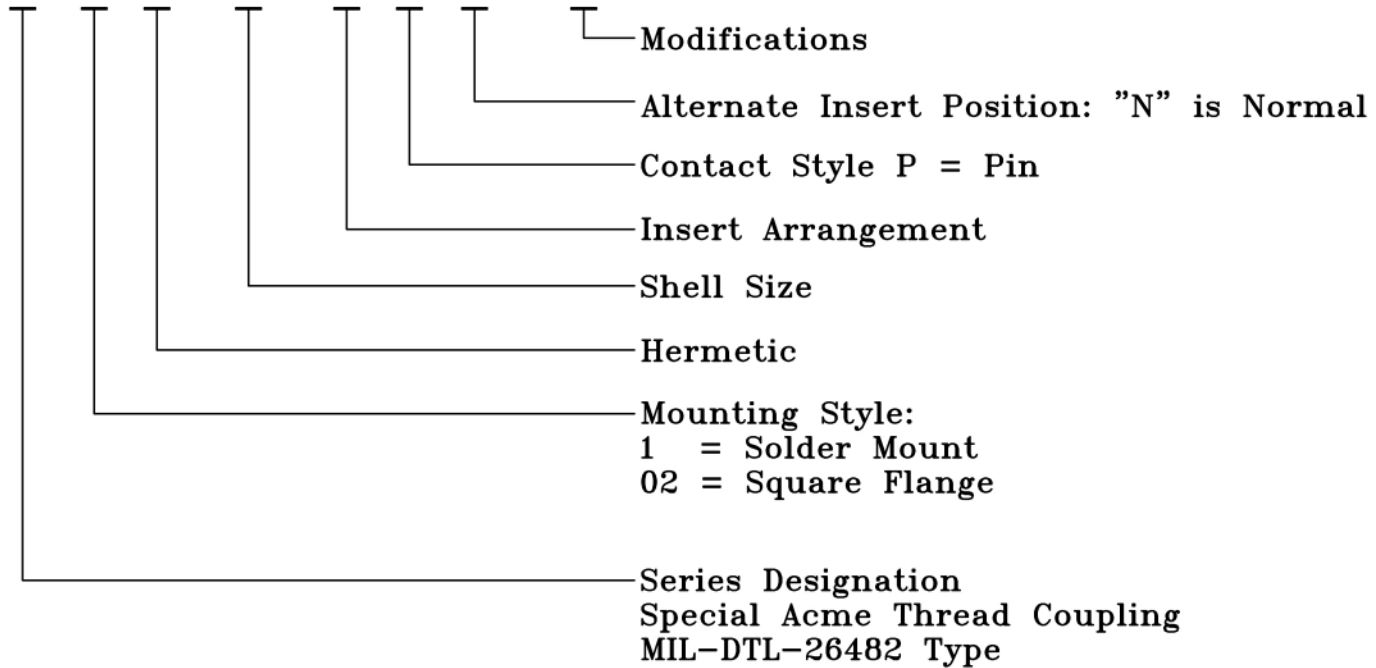
TELE: (626) 579-7130 FAX: (626) 579-1936

www.detronics.com

MIL-DTL-26482 TYPE, DC SERIES  
(COMMERCIAL EQUAL - HERMETIC)

PART NUMBERING SYSTEM

DC 1 H-10-6 P N-\*\*\*



GENERAL SPECIFICATIONS

MATERIAL

Shell, Key and Flange: Carbon Steel  
Pins: 52 Nickel Alloy  
Seals: None  
Insulator: Glass

CURRENT RATING

Size 20: 5 AMPS

AIR LEAKAGE

1x10<sup>-6</sup> CM<sup>3</sup>/SEC AT 15psi

INSULATION RESISTANCE

5,000 megohms AT 500VDC

OPERATING TEMPERATURE

-67°F TO +257°F (-55°C TO +125°C)

STANDARD PIN IS SOLDER CUP TYPE. OTHER PIN TYPES ALSO AVAILABLE  
(EYELET, STRAIGHT, THERMOCOUPLE) - CONSULT FACTORY.

STANDARD FINISH IS TIN PLATED SHELL AND PINS.  
OTHER FINISHES ALSO AVAILABLE (GOLD, NICKEL, OLIVE DRAB, etc.) - CONSULT FACTORY.

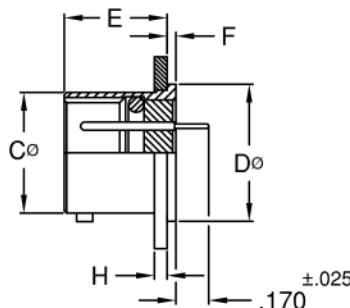
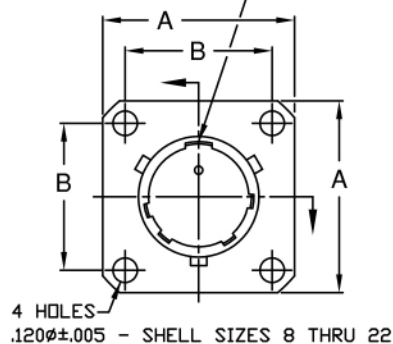
SPECIALS CAN BE SUPPLIED TO MEET CUSTOMER SPECIFICATIONS - CONSULT FACTORY.

**Detronics Corporation**  
13071 ROSECRANS AVE, SANTA FE SPRINGS, CA 90670  
TELE: (626) 579-7130 FAX: (626) 579-1936  
[www.detronics.com](http://www.detronics.com)

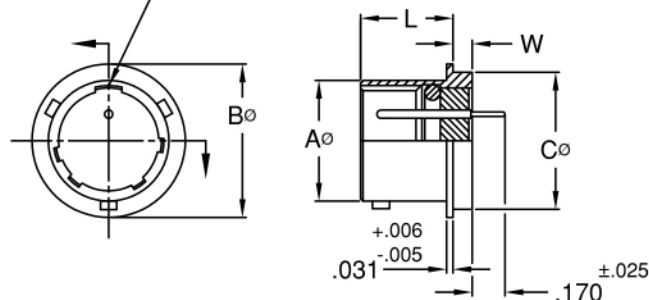
# MINIATURE HERMETIC ELECTRONIC CONNECTORS-DFC SERIES

## FLEX CIRCUIT SERIES MIL-DTL-26482 TYPE, COMMERCIAL EQUAL HERMETIC GLASS-TO-METAL SEALED (VACUUM / PRESSURE FEED THRUS)

MAIN POLARIZING KEYWAY



MAIN POLARIZING KEYWAY



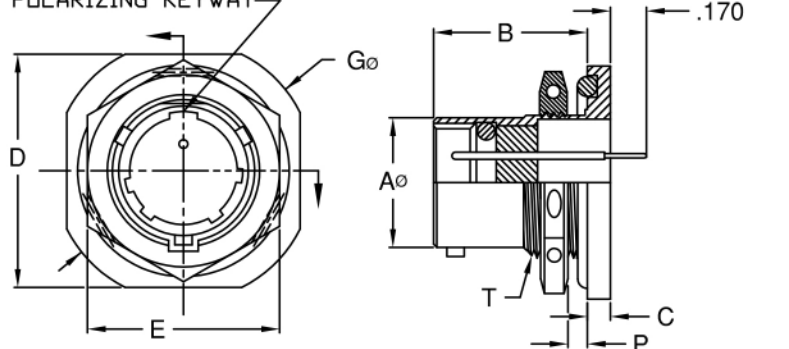
PART NO.	A ±.016	B TYP.	C∅ +.001 -.005	D∅ +.001 -.005	E +.025 -.015	F ±.016	H ±.016
DFC02H-8-#PN	.812	.594	.473	.562	.494	.047	.062
DFC02H-10-#PN	.938	.719	.590	.672	.494	.047	.062
DFC02H-12-#PN	1.031	.812	.750	.781	.494	.047	.062
DFC02H-14-#PN	1.125	.906	.875	.906	.494	.047	.062
DFC02H-16-#PN	1.219	.969	1.000	1.031	.494	.047	.062
DFC02H-18-#PN	1.312	1.062	1.125	1.156	.494	.047	.062
DFC02H-20-#PN	1.438	1.156	1.250	1.220	.556	.047	.094
DFC02H-22-#PN	1.562	1.250	1.375	1.340	.556	.079	.094

**DFC02H - FLANGE MOUNT CONNECTORS  
(MS3112 CLASS H TYPE)**

PART NO.	A∅ +.001 -.005	B∅ MAX.	C∅ +.001 -.005	L +.025 -.016	W +.011 -.010
DFC1H-8-#PN	.473	.636	.562	.447	.094
DFC1H-10-#PN	.590	.761	.672	.447	.094
DFC1H-12-#PN	.750	.855	.781	.447	.094
DFC1H-14-#PN	.875	.980	.906	.447	.094
DFC1H-16-#PN	1.000	1.105	1.031	.447	.094
DFC1H-18-#PN	1.125	1.229	1.156	.447	.094
DFC1H-20-#PN	1.250	1.323	1.250	.509	.094
DFC1H-22-#PN	1.375	1.449	1.375	.509	.125

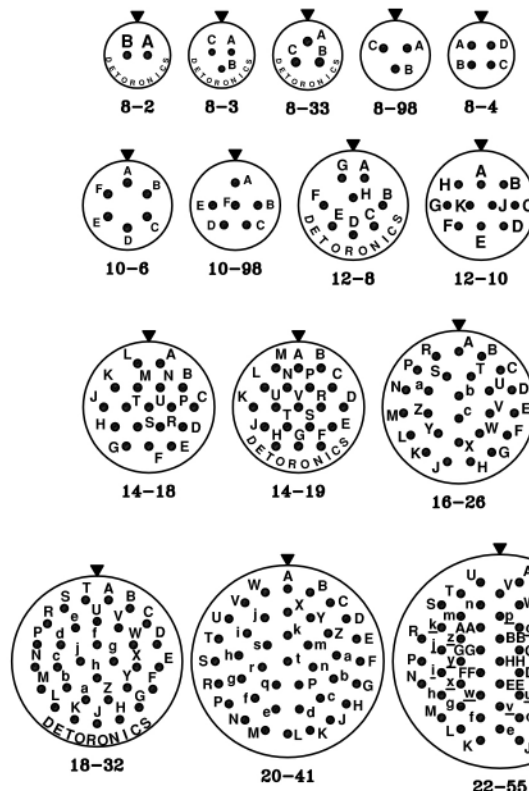
**DFC1H - SOLDER MOUNT CONNECTORS  
(MS3113 CLASS H TYPE)**

MAIN POLARIZING KEYWAY



PART NO.	A∅ +.001 -.005	B +.031 -.000	C ±.020	D MAX.	E HEX ±.017	G∅ +.000 -.032	P PANEL THK. MIN. MAX.	T THREAD †
DFC07H-8-#PN	.473	.691	.117	.954	.750	1.078	.062 .125	.5625-24
DFC07H-10-#PN	.590	.691	.117	1.078	.875	1.203	.062 .125	.6875-24
DFC07H-12-#PN	.750	.691	.117	1.266	1.062	1.391	.062 .125	.875-20
DFC07H-14-#PN	.875	.691	.117	1.391	1.188	1.516	.062 .125	1.000-20
DFC07H-16-#PN	1.000	.691	.117	1.516	1.312	1.641	.062 .125	1.125-18
DFC07H-18-#PN	1.125	.691	.117	1.641	1.438	1.766	.062 .125	1.250-18
DFC07H-20-#PN	1.250	.879	.148	1.828	1.562	1.954	.062 .250	1.375-18
DFC07H-22-#PN	1.375	.879	.148	1.954	1.688	2.078	.062 .250	1.500-18

**DFC07H - JAM NUT MOUNT CONNECTORS  
(MS3114 CLASS H TYPE)**



\* ADD DESIRED INSERT ARRANGEMENT.

▼ INSERT ARRANGEMENT IS SHOWN IN NORMAL POSITION.

† AFTER PLATING, SUBJECT TO ACCEPTANCE USING A BASIC CLASS 3A GO GAGE.

OTHER SHELL SIZES, PIN PATTERNS AND INSERT POSITIONS MAY BE AVAILABLE - CONSULT FACTORY.

MATERIAL: STANDARD IS CRS SHELL, 52 NICKEL ALLOY PINS AND SILICONE O-RING ONLY.

STANDARD PIN IS STEP TYPE. .040" DIA. REDUCED DOWN TO .025" DIA. ON BACK SIDE.

STANDARD FINISH IS TIN PLATED SHELL AND PINS.

OTHER FINISHES ALSO AVAILABLE (GOLD, NICKEL, OLIVE DRAB, etc.) - CONSULT FACTORY.

SPECIALS CAN BE SUPPLIED TO MEET CUSTOMER SPECIFICATIONS - CONSULT FACTORY.

OUR CONNECTORS MATE WITH ANY PLUG WITH SOCKET CONTACTS WHICH MEET THE DIMENSIONAL REQUIREMENTS OF MIL-DTL-26482 AND MS3116.

**GENERAL SPECIFICATIONS**

AIR LEAKAGE: 1x10<sup>-6</sup> CM<sup>3</sup>/SEC AT 15psi

INSULATION RESISTANCE: 5,000 megohms AT 500VDC

OPERATING TEMPERATURE: -67°F TO +257°F (-55°C TO +125°C)

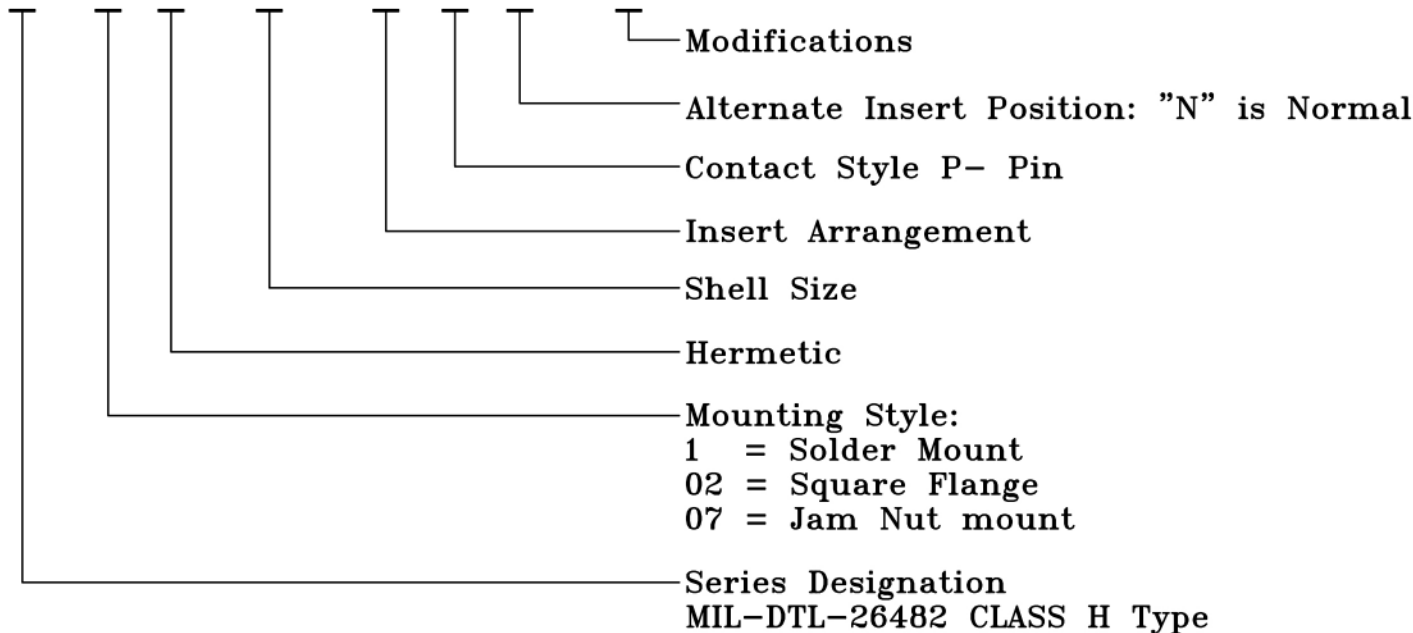
**ENGAGING FACE  
PIN INSERTS**

**Detoronics Corporation**  
13071 ROSECRANS AVE, SANTA FE SPRINGS, CA 90670  
TELE: (626) 579-7130 FAX: (626) 579-1936  
[www.detoronics.com](http://www.detoronics.com)

MIL-DTL-26482 TYPE, DFC FLEX CIRCUIT SERIES  
(COMMERCIAL EQUAL - HERMETIC)

PART NUMBERING SYSTEM

DFC 1 H - 22 - 55 P N - \*\*\*



GENERAL SPECIFICATIONS

MATERIAL

Shell, Bayonet and Flange: Carbon Steel  
Pins: 52 Nickel Alloy (Step Pin  $\phi.040$ " TO  $\phi.025$ " )  
Seals: Silicone O-Ring only  
Insulator: Glass

CURRENT RATING

Size 20: 5 AMPS

AIR LEAKAGE

$1 \times 10^{-6}$  CM<sup>3</sup>/SEC AT 15psi

INSULATION RESISTANCE

5,000 megohms AT 500VDC

OPERATING TEMPERATURE

-67°F TO +257°F (-55°C TO +125°C)

STANDARD FINISH IS TIN PLATED SHELL AND PINS PER MIL-T-10727.  
OTHER FINISHES ALSO AVAILABLE (GOLD, NICKEL, OLIVE DRAB, etc.) - CONSULT FACTORY.

SPECIALS CAN BE SUPPLIED TO MEET CUSTOMER SPECIFICATIONS - CONSULT FACTORY.

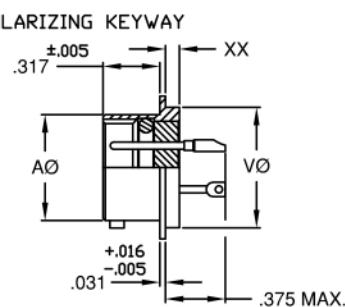
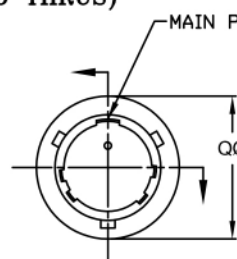
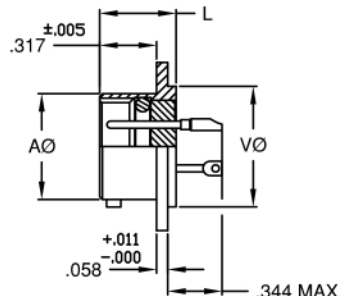
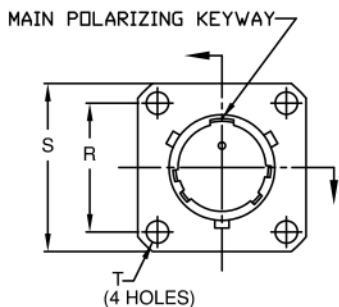
OUR CONNECTORS MATE WITH ANY PLUG WITH SOCKET CONTACTS WHICH MEET  
THE DIMENSIONAL REQUIREMENTS OF MIL-DTL-26482 AND MS3116.

**Detronics Corporation**

13071 ROSECRANS AVE, SANTA FE SPRINGS, CA 90670  
TELE: (626) 579-7130 FAX: (626) 579-1936  
[www.detronics.com](http://www.detronics.com)

# MINIATURE HERMETIC ELECTRONIC CONNECTORS-DJ SERIES

## MIL-DTL-38999 SERIES II TYPE, COMMERCIAL EQUAL HERMETIC GLASS-TO-METAL SEALED (VACUUM / PRESSURE FEED THRU)

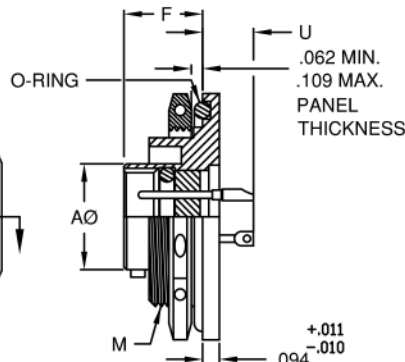
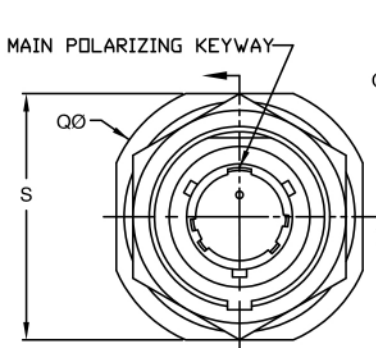


### DJT02H - SQUARE FLANGE MOUNT CONNECTORS (MS27476 TYPE)

PART NO.	AØ +.001 -.005	L MAX.	R BSC C-C	S MAX.	T +.010 -.005	VØ +.001 -.005
DJT02H-8-#PN	.473	.453	.594	.828	.120	.562
DJT02H-10-#PN	.590	.453	.719	.954	.120	.672
DJT02H-12-#PN	.750	.453	.812	1.047	.120	.781
DJT02H-14-#PN	.875	.453	.906	1.141	.120	.906
DJT02H-16-#PN	1.000	.453	.969	1.234	.120	1.031
DJT02H-18-#PN	1.125	.453	1.062	1.328	.120	1.156
DJT02H-20-#PN	1.250	.453	1.156	1.453	.120	1.250
DJT02H-22-#PN	1.375	.453	1.250	1.578	.120	1.375
DJT02H-24-#PN	1.500	.484	1.375	1.703	.147	1.500

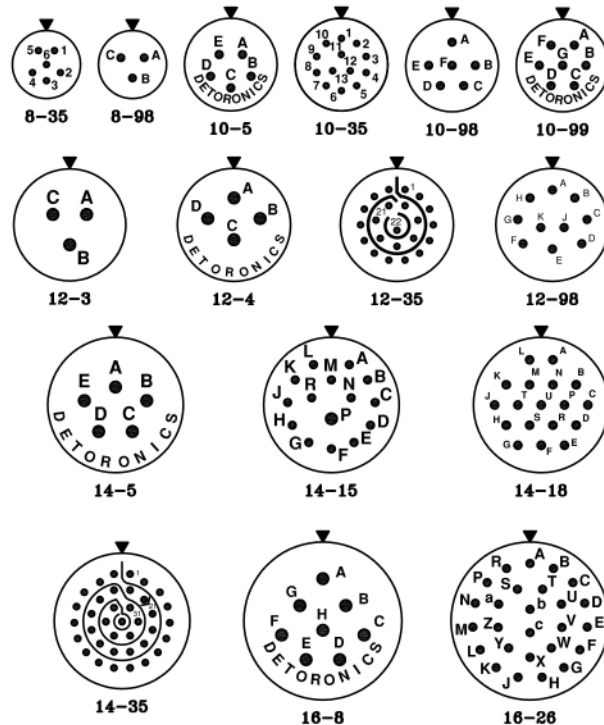
### DJT1H - SOLDER MOUNT CONNECTORS (MS27478 TYPE)

PART NO.	AØ +.001 -.005	XX MAX.	QØ +.011 -.010	VØ +.001 -.005
DJT1H-8-#PN	.473	.125	.687	.562
DJT1H-10-#PN	.590	.125	.797	.672
DJT1H-12-#PN	.750	.125	.906	.781
DJT1H-14-#PN	.875	.125	1.031	.906
DJT1H-16-#PN	1.000	.125	1.156	1.031
DJT1H-18-#PN	1.125	.125	1.281	1.156
DJT1H-20-#PN	1.250	.125	1.375	1.250
DJT1H-22-#PN	1.375	.156	1.500	1.375
DJT1H-24-#PN	1.500	.156	1.625	1.500



### DJT07H - JAM NUT MOUNT CONNECTORS (MS27477 TYPE)

PART NO.	AØ +.001 -.005	F ±.005	M THREAD † CLASS-2A	QØ ±.016	S ±.016	U MAX.
DJT07H-8-#PN	.473	.438	.8750-20 UNEF	1.375	1.250	.281
DJT07H-10-#PN	.590	.438	1.0000-20 UNEF	1.500	1.375	.281
DJT07H-12-#PN	.750	.438	1.1250-18 UNEF	1.625	1.500	.281
DJT07H-14-#PN	.875	.438	1.2500-18 UNEF	1.750	1.625	.281
DJT07H-16-#PN	1.000	.438	1.3750-18 UNEF	1.938	1.781	.281
DJT07H-18-#PN	1.125	.438	1.5000-18 UNEF	2.016	1.890	.281
DJT07H-20-#PN	1.250	.464	1.6250-18 UNEF	2.141	2.016	.250
DJT07H-22-#PN	1.375	.464	1.7500-18 UNS	2.265	2.140	.250
DJT07H-24-#PN	1.500	.464	1.8750-16 UN	2.390	2.265	.250



\* ADD DESIRED INSERT ARRANGEMENT.

▼ INSERT ARRANGEMENT IS SHOWN IN NORMAL POSITION.

† AFTER PLATING, SUBJECT TO ACCEPTANCE USING A BASIC CLASS 3A GO GAGE.

H = O-RING. IF SILICONE INTERFACIAL SEAL IS REQUIRED, SUBSTITUTE 'Y' FOR 'H' IN PART NUMBER.

OTHER PIN PATTERNS AND INSERT POSITIONS MAY BE AVAILABLE - CONSULT FACTORY.

MATERIAL: STANDARD IS CRS SHELL, 52 NICKEL ALLOY PINS AND SILICONE O-RING ONLY.

STANDARD PIN IS SOLDER CUP TYPE. OTHER PIN TYPES ALSO AVAILABLE (EYELET, STRAIGHT) - CONSULT FACTORY.

STANDARD FINISH IS TIN PLATED SHELL AND PINS.

OTHER FINISHES ALSO AVAILABLE (GOLD, NICKEL, OLIVE DRAB, etc.) - CONSULT FACTORY.

SPECIALS CAN BE SUPPLIED TO MEET CUSTOMER SPECIFICATIONS - CONSULT FACTORY.

OUR CONNECTORS MATE WITH ANY PLUG WITH SOCKET CONTACTS WHICH MEET THE DIMENSIONAL REQUIREMENTS OF MIL-DTL-38999 AND MS27484.

#### GENERAL SPECIFICATIONS

AIR LEAKAGE: 1x10<sup>-7</sup> CM<sup>3</sup>/SEC AT 15psi

INSULATION RESISTANCE: 5,000 megohms AT 500VDC

OPERATING TEMPERATURE: 39°F TO +201°F (4°C TO +90°C)

#### ENGAGING FACE PIN INSERTS

**Detoronics Corporation**

13071 ROSECRANS AVE, SANTA FE SPRINGS, CA 90670

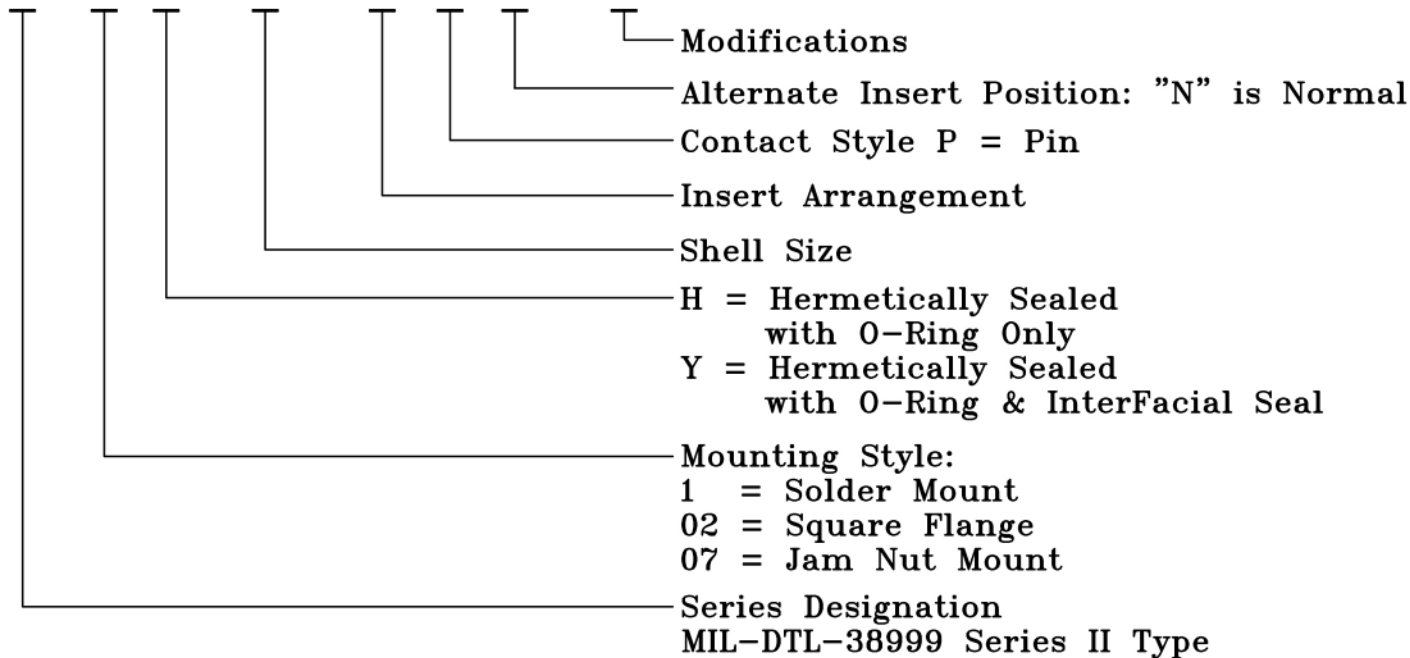
TELE: (626) 579-7130 FAX: (626) 579-1936

www.detoronics.com

MIL-DTL-38999 SERIES II TYPE, DJ SERIES  
(COMMERCIAL EQUAL - HERMETIC)

PART NUMBERING SYSTEM

DJT 1 H - 22 - 55 P N - \*\*\*



GENERAL SPECIFICATIONS

MATERIAL

Shell, Bayonet and Flange: Carbon Steel  
Pins: 52 Nickel Alloy  
Seals: Silicone O-Ring Only  
Insulator: Glass

CURRENT RATING

Size 22: 3 AMPS  
Size 20: 5 AMPS  
Size 16: 10 AMPS

AIR LEAKAGE

$1 \times 10^{-7}$  CM<sup>3</sup>/SEC AT 15psi

INSULATION RESISTANCE

5,000 megohms AT 500VDC

OPERATING TEMPERATURE

39°F TO +201°F (4°C TO +90°C)

STANDARD PIN IS SOLDER CUP TYPE. OTHER PIN TYPES ALSO AVAILABLE  
(EYELET, STRAIGHT) - CONSULT FACTORY.

STANDARD FINISH IS TIN PLATED SHELL AND PINS.  
OTHER FINISHES ALSO AVAILABLE (GOLD, NICKEL, OLIVE DRAB, etc.) - CONSULT FACTORY.

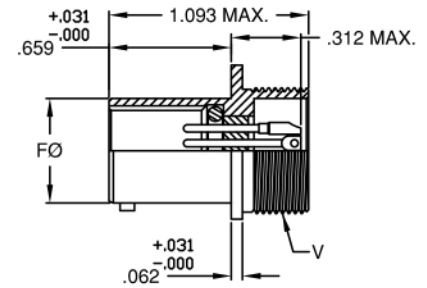
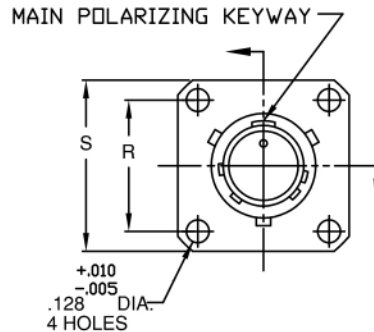
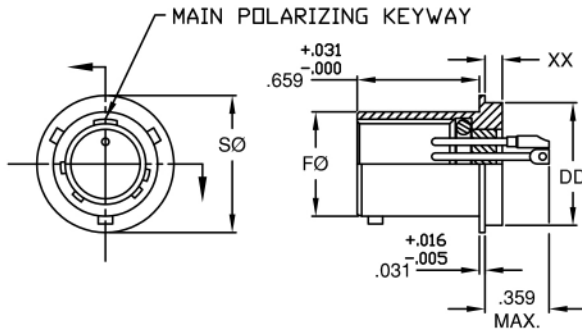
SPECIALS CAN BE SUPPLIED TO MEET CUSTOMER SPECIFICATIONS - CONSULT FACTORY.

OUR CONNECTORS MATE WITH ANY PLUG WITH SOCKET CONTACTS WHICH MEET THE DIMENSIONAL  
REQUIREMENTS OF MIL-DTL-38999 AND MS27484.

**Detronics Corporation**  
13071 ROSECRANS AVE, SANTA FE SPRINGS, CA 90670  
TELE: (626) 579-7130 FAX: (626) 579-1936  
[www.detronics.com](http://www.detronics.com)

# MINIATURE HERMETIC ELECTRONIC CONNECTORS-DJL SERIES

## MIL-DTL-38999 SERIES I TYPE, COMMERCIAL EQUAL HERMETIC GLASS-TO-METAL SEALED (VACUUM / PRESSURE FEED THRUS)

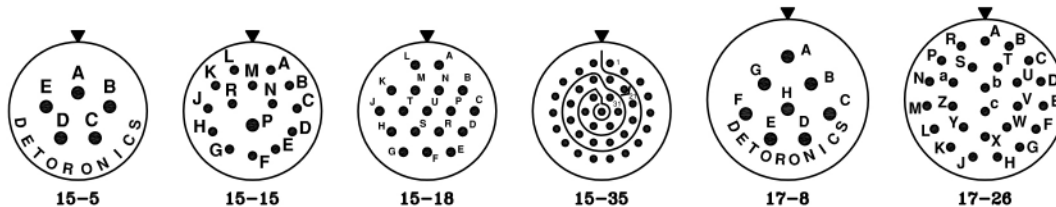
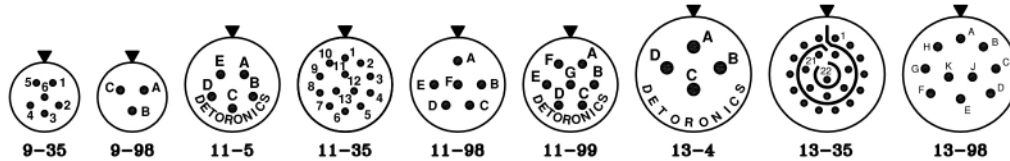


### DJLT1H - SOLDER MOUNT CONNECTORS (MS27471 TYPE)

PART NO.	FØ +.001 -.005	DD +.001 -.005	SØ ±.016	XX MAX.
DJLT1H-9-#PN	.572	.672	.750	.187
DJLT1H-11-#PN	.700	.781	.844	.187
DJLT1H-13-#PN	.850	.906	.969	.187
DJLT1H-15-#PN	.975	1.031	1.094	.187
DJLT1H-17-#PN	1.100	1.156	1.218	.187

### DJLT02H - SQUARE FLANGE MOUNT CONNECTORS (MS27469 TYPE)

PART NO.	FØ +.001 -.005	S ±.016	R (TYP.) BSC	V THREAD UNEF-2A †
DJLT02H-9-#PN	.572	.938	.719	.6875-24
DJLT02H-11-#PN	.700	1.031	.812	.8125-20
DJLT02H-13-#PN	.850	1.125	.906	.9375-20
DJLT02H-15-#PN	.975	1.219	.969	1.0625-18
DJLT02H-17-#PN	1.100	1.312	1.062	1.1875-18



### ENGAGING FACE PIN INSERTS

\* ADD DESIRED INSERT ARRANGEMENT.

▼ = INSERT ARRANGEMENT IS SHOWN IN NORMAL POSITION.

† AFTER PLATING, SUBJECT TO ACCEPTANCE USING A BASIC CLASS 3A GO GAGE.

H = O-RING. IF SILICONE INTERFACIAL SEAL IS REQUIRED, SUBSTITUTE 'Y' FOR 'H' IN PART NUMBER.

OTHER SHELL SIZES, PIN PATTERNS AND INSERT POSITIONS MAY BE AVAILABLE - CONSULT FACTORY.

MATERIAL: STANDARD IS CRS SHELL AND 52 NICKEL ALLOY PINS AND SILICONE O-RING ONLY.

STANDARD PIN IS SOLDER CUP. OTHER PIN TYPES ALSO AVAILABLE (EYELET, STRAIGHT) - CONSULT FACTORY.

STANDARD FINISH IS TIN PLATED SHELL AND PINS.

OTHER FINISHES ALSO AVAILABLE (GOLD, NICKEL, OLIVE DRAB, etc.) - CONSULT FACTORY.

SPECIALS CAN BE SUPPLIED TO MEET CUSTOMER SPECIFICATIONS - CONSULT FACTORY.

OUR CONNECTORS MATE WITH ANY PLUG WITH SOCKET CONTACTS WHICH MEET THE DIMENSIONAL REQUIREMENTS OF MIL-DTL-38999 AND MS27467.

#### GENERAL SPECIFICATIONS

AIR LEAKAGE:  $1 \times 10^{-7}$  CM<sup>3</sup>/SEC AT 15psi

INSULATION RESISTANCE: 5,000 megohms AT 500VDC

OPERATING TEMPERATURE: 39°F TO +201°F (4°C TO +90°C)

### Detoronics Corporation

13071 ROSECRANS AVE, SANTA FE SPRINGS, CA 90670

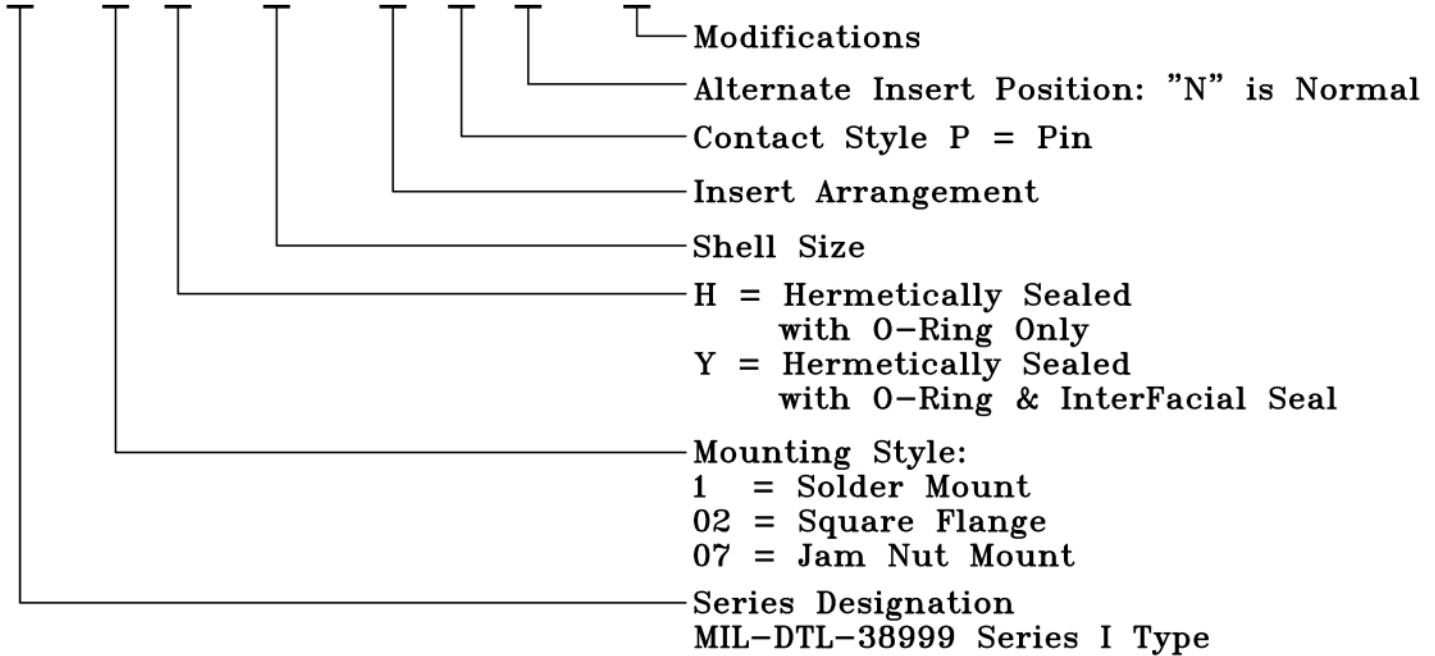
TELE: (626) 579-7130 FAX: (626) 579-1936

www.detoronics.com

MIL-DTL-38999 SERIES I TYPE, DJL SERIES  
(COMMERCIAL EQUAL - HERMETIC)

PART NUMBERING SYSTEM

DJLT 1 H - 23 - 55 P N - \*\*\*



GENERAL SPECIFICATIONS

MATERIAL

Shell, Bayonet and Flange: Carbon Steel  
Pins: 52 Nickel Alloy  
Seals: Silicone O-Ring Only  
Insulator: Glass

CURRENT RATING

Size 22: 3 AMPS  
Size 20: 5 AMPS  
Size 16: 10 AMPS

AIR LEAKAGE

$1 \times 10^{-7}$  CM<sup>3</sup>/SEC AT 15psi

INSULATION RESISTANCE

5,000 megohms AT 500VDC

OPERATING TEMPERATURE

39°F TO +201°F (4°C TO +90°C)

STANDARD PIN IS SOLDER CUP TYPE. OTHER PIN TYPES ALSO AVAILABLE (EYELET, STRAIGHT) - CONSULT FACTORY.

STANDARD FINISH IS TIN PLATED SHELL AND PINS. OTHER FINISHES ALSO AVAILABLE (GOLD, NICKEL, OLIVE DRAB, etc.) - CONSULT FACTORY.

SPECIALS CAN BE SUPPLIED TO MEET CUSTOMER SPECIFICATIONS - CONSULT FACTORY.

OUR CONNECTORS MATE WITH ANY PLUG WITH SOCKET CONTACTS WHICH MEET THE DIMENSIONAL REQUIREMENTS OF MIL-DTL-38999 AND MS27467.

**Detronics Corporation**  
13071 ROSECRANS AVE, SANTA FE SPRINGS, CA 90670  
TELE: (626) 579-7130 FAX: (626) 579-1936  
[www.detronics.com](http://www.detronics.com)



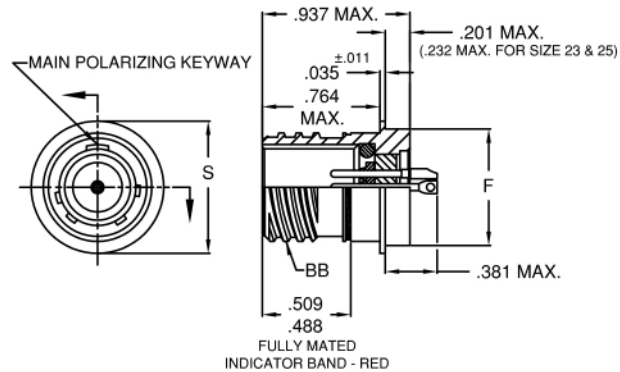
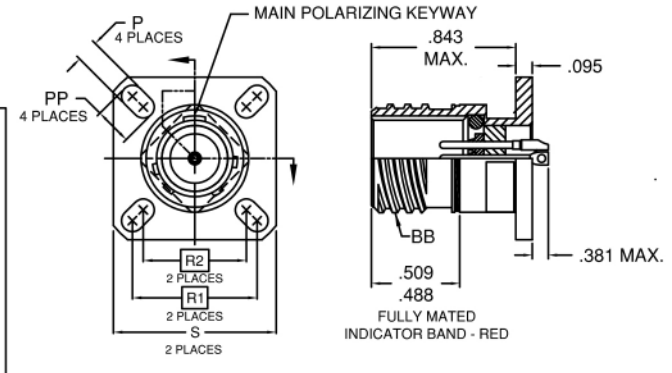
## MIL-DTL-38999 SERIES III, COMMERCIAL EQUAL HERMETIC GLASS-TO-METAL SEALED (VACUUM / PRESSURE FEED THRU)

### DJLTH21 BOX MOUNT FLANGE CONNECTORS (MIL-DTL-38999/21 TYPE)

PART NO.	P ±.007	PP ±.007	R1	R2	S ±.011	BB † THREAD
DJLTH21-*-9-*PN	.128 IN. 3.25 MM	.216 IN. 5.49 MM	.719 IN. 18.26 MM	.594 IN. 15.09 MM	.937 IN. 23.8 MM	.6250-1-3-2A
DJLTH21-*-11-*PN	.128 IN. 3.25 MM	.194 IN. 4.93 MM	.812 IN. 20.62 MM	.719 IN. 18.26 MM	1.031 IN. 26.2 MM	.7500-1-3-2A
DJLTH21-*-13-*PN	.128 IN. 3.25 MM	.194 IN. 4.93 MM	.906 IN. 23.01 MM	.812 IN. 20.62 MM	1.126 IN. 28.6 MM	.8750-1-3-2A
DJLTH21-*-15-*PN	.128 IN. 3.25 MM	.194 IN. 4.93 MM	.969 IN. 24.61 MM	.906 IN. 23.01 MM	1.220 IN. 31.0 MM	1.000-1-3-2A
DJLTH21-*-17-*PN	.128 IN. 3.25 MM	.194 IN. 4.93 MM	1.062 IN. 26.97 MM	.969 IN. 24.61 MM	1.311 IN. 33.3 MM	1.1875-1-3-2A
DJLTH21-*-19-*PN	.128 IN. 3.25 MM	.194 IN. 4.93 MM	1.156 IN. 29.36 MM	1.062 IN. 26.97 MM	1.437 IN. 36.5 MM	1.2500-1-3-2A
DJLTH21-*-21-*PN	.128 IN. 3.25 MM	.194 IN. 4.93 MM	1.250 IN. 31.75 MM	1.156 IN. 29.36 MM	1.563 IN. 39.7 MM	1.3750-1-3-2A
DJLTH21-*-23-*PN	.154 IN. 3.91 MM	.242 IN. 6.15 MM	1.375 IN. 34.93 MM	1.250 IN. 31.75 MM	1.689 IN. 42.9 MM	1.5000-1-3-2A
DJLTH21-*-25-*PN	.154 IN. 3.91 MM	.242 IN. 6.15 MM	1.500 IN. 38.10 MM	1.375 IN. 34.93 MM	1.811 IN. 46.0 MM	1.6250-1-3-2A

### DJLTH25 SOLDER MOUNT CONNECTORS (MIL-DTL-38999/25 TYPE)

PART NO.	F MAX.	S MAX.	BB † THREAD
DJLTH25-*-9-*PN	.673 IN. 17.1 MM	.764 IN. 19.4 MM	.6250-1-3-2A
DJLTH25-*-11-*PN	.783 IN. 19.9 MM	.858 IN. 21.8 MM	.7500-1-3-2A
DJLTH25-*-13-*PN	.909 IN. 23.1 MM	.980 IN. 24.9 MM	.8750-1-3-2A
DJLTH25-*-15-*PN	1.031 IN. 26.2 MM	1.106 IN. 28.1 MM	1.000-1-3-2A
DJLTH25-*-17-*PN	1.157 IN. 29.4 MM	1.232 IN. 31.3 MM	1.1875-1-3-2A
DJLTH25-*-19-*PN	1.252 IN. 31.8 MM	1.323 IN. 33.6 MM	1.2500-1-3-2A
DJLTH25-*-21-*PN	1.378 IN. 35.0 MM	1.449 IN. 36.8 MM	1.3750-1-3-2A
DJLTH25-*-23-*PN	1.504 IN. 38.2 MM	1.575 IN. 40.0 MM	1.5000-1-3-2A
DJLTH25-*-25-*PN	1.626 IN. 41.3 MM	1.701 IN. 43.2 MM	1.6250-1-3-2A



\*- : Z1= CRES SHELL, PASSIVATED; Z2= CRES SHELL, ELECTRODEPOSITED NICKEL; Z3= CRES SHELL, CADMIUM WITH OLIVE DRAB.  
 \*PN: ADD DESIRED INSERT ARRANGEMENT, CONTACT STYLE P (OR X AND C), AND MAIN KEY / KEYWAY POLARIZATION N (OR A,B,C,D,AND E).  
 † AFTER PLATING, SUBJECT TO ACCEPTANCE USING A BASIC CLASS 3A GO GAGE.

MATERIAL: SHELL 303,304, 316 TYPE CRES; PINS 52 NICKEL ALLOY, ELASTOMER INTERFACIAL SEAL AND O-RING.  
 STANDARD CONTACT IS SOLDER CUP, EYELET, AND FEEDTHROUGH .  
 STANDARD CONTACT FINISH IS GOLD PLATED.  
 OUR CONNECTORS MEET THE DIMENSIONAL REQUIREMENTS OF MIL-DTL-38999 AND MATE WITH ANY PLUG WITH SOCKET CONTACTS OF MIL-DTL-38999 /26.  
 SPECIAL SHELL, CONTACTS, AND FINISH (HEAVY GOLD, RHODIUM, OLIVE DRAB, etc.) CAN BE SUPPLIED TO MEET CUSTOMER SPECIFICATIONS - CONSULT FACTORY.

GENERAL SPECIFICATIONS  
 AIR LEAKAGE:  $1 \times 10^{-7}$  CM<sup>3</sup>/SEC AT 15psi  
 INSULATION RESISTANCE: 5,000 megohms AT 500VDC  
 OPERATING TEMPERATURE: -85°F TO +392°F (-65°C TO +200°C)

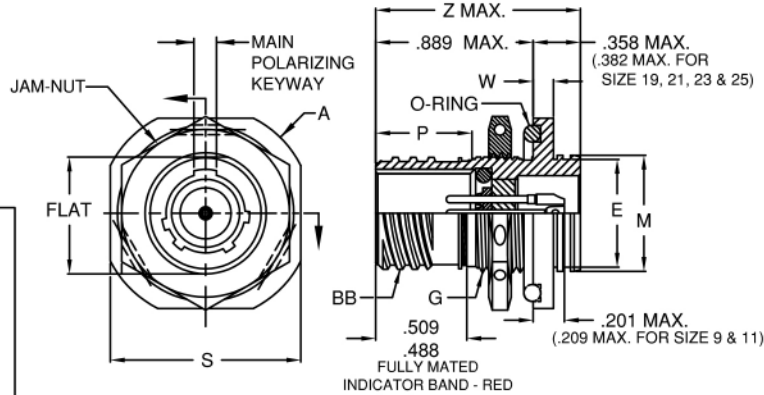
**Detoronic Corporation**  
 13071 ROSECRANS AVE, SANTA FE SPRINGS, CA 90670  
 TELE: (626) 579-7130 FAX: (626) 579-1936  
[www.detoronic.com](http://www.detoronic.com)

# MINIATURE HERMETIC ELECTRONIC CONNECTORS-DJLTH SERIES

## MIL-DTL-38999 SERIES III TYPE, COMMERCIAL EQUAL HERMETIC GLASS-TO-METAL SEALED (VACUUM / PRESSURE FEED THRU)

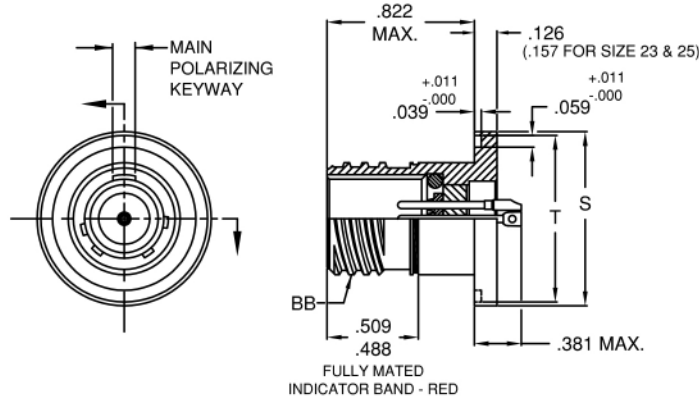
PART NO.	A ±.011	E ±.011	M +.011 -.000	P +.015 -.003	S ±.015	W +.011 -.003	Z MAX.	FLAT +.004 -.005	G † THREAD	BB † THREAD
DJLTH23*-9*-PN	1.189 IN. 30.2 MM	.602 IN. 15.3 MM	.642 IN. 16.3 MM	.555 IN. 14.1 MM	1.063 IN. 27.0 MM	.102 IN. 2.6 MM	1.150 IN. 29.2 MM	.651 IN. 16.53 MM	M17X1-6g 0.100R	.6250-.1-.3-2A
DJLTH23*-11*-PN	1.374 IN. 34.9 MM	.724 IN. 18.4 MM	.764 IN. 19.4 MM	.555 IN. 14.1 MM	1.252 IN. 31.8 MM	.102 IN. 2.6 MM	1.150 IN. 29.2 MM	.751 IN. 19.07 MM	M20X1-6g 0.100R	.7500-.1-.3-2A
DJLTH23*-13*-PN	1.500 IN. 38.1 MM	.850 IN. 21.6 MM	.894 IN. 22.7 MM	.563 IN. 14.3 MM	1.374 IN. 34.9 MM	.102 IN. 2.6 MM	1.154 IN. 29.3 MM	.938 IN. 23.82 MM	M25X1-6g 0.100R	.8750-.1-.3-2A
DJLTH23*-15*-PN	1.626 IN. 41.3 MM	.976 IN. 24.8 MM	1.020 IN. 25.9 MM	.563 IN. 14.3 MM	1.500 IN. 38.1 MM	.102 IN. 2.6 MM	1.154 IN. 29.3 MM	1.062 IN. 26.97 MM	M28X1-6g 0.100R	1.000-.1-.3-2A
DJLTH23*-17*-PN	1.752 IN. 44.5 MM	1.102 IN. 28.0 MM	1.142 IN. 29.00 MM	.563 IN. 14.3 MM	1.626 IN. 41.3 MM	.102 IN. 2.6 MM	1.154 IN. 29.3 MM	1.187 IN. 30.15 MM	M32X1-6g 0.100R	1.1875-.1-.3-2A
DJLTH23*-19*-PN	1.937 IN. 49.2 MM	1.228 IN. 31.2 MM	1.268 IN. 32.2 MM	.563 IN. 14.3 MM	1.811 IN. 46.0 MM	.134 IN. 3.4 MM	1.185 IN. 30.1 MM	1.312 IN. 33.32 MM	M35X1-6g 0.100R	1.2500-.1-.3-2A
DJLTH23*-21*-PN	2.063 IN. 52.4 MM	1.350 IN. 34.3 MM	1.394 IN. 35.4 MM	.563 IN. 14.3 MM	1.937 IN. 49.2 MM	.134 IN. 3.4 MM	1.185 IN. 30.1 MM	1.437 IN. 36.5 MM	M38X1-6g 0.100R	1.3750-.1-.3-2A
DJLTH23*-23*-PN	2.189 IN. 55.6 MM	1.476 IN. 37.5 MM	1.520 IN. 38.6 MM	.563 IN. 14.3 MM	2.063 IN. 52.4 MM	.134 IN. 3.4 MM	1.185 IN. 30.1 MM	1.562 IN. 39.67 MM	M41X1-6g 0.100R	1.5000-.1-.3-2A
DJLTH23*-25*-PN	2.311 IN. 58.7 MM	1.602 IN. 40.7 MM	1.642 IN. 41.7 MM	.563 IN. 14.3 MM	2.189 IN. 55.6 MM	.134 IN. 3.4 MM	1.185 IN. 30.1 MM	1.687 IN. 42.85 MM	M44X1-6g 0.100R	1.6250-.1-.3-2A

### DJLTH23 JAM-NUT MOUNT CONNECTORS (MIL-DTL-38999/23 TYPE)



### DJLTH27 WELD MOUNT CONNECTORS (MIL-DTL-38999/27 TYPE)

PART NO.	S +.011 -.000	T +.000 -.011	BB † THREAD
DJLTH27*-9*-PN	.972 IN. 24.7 MM	.941 IN. 23.9 MM	.6250-.1-.3-2A
DJLTH27*-11*-PN	1.094 IN. 27.8 MM	1.063 IN. 27.0 MM	.7500-.1-.3-2A
DJLTH27*-13*-PN	1.220 IN. 31.0 MM	1.189 IN. 30.2 MM	.8750-.1-.3-2A
DJLTH27*-15*-PN	1.346 IN. 34.2 MM	1.315 IN. 33.4 MM	1.000-.1-.3-2A
DJLTH27*-17*-PN	1.433 IN. 36.4 MM	1.402 IN. 35.6 MM	1.1875-.1-.3-2A
DJLTH27*-19*-PN	1.579 IN. 40.1 MM	1.547 IN. 39.3 MM	1.2500-.1-.3-2A
DJLTH27*-21*-PN	1.720 IN. 43.7 MM	1.689 IN. 42.9 MM	1.3750-.1-.3-2A
DJLTH27*-23*-PN	1.886 IN. 47.9 MM	1.854 IN. 47.1 MM	1.5000-.1-.3-2A
DJLTH27*-25*-PN	1.972 IN. 50.1 MM	1.941 IN. 49.3 MM	1.6250-.1-.3-2A



\*- : Z1= CRES SHELL, PASSIVATED; Z2= CRES SHELL, ELECTRODEPOSITED NICKEL; Z3= CRES SHELL, CADMIUM WITH OLIVE DRAB.  
\*PN: ADD DESIRED INSERT ARRANGEMENT, CONTACT STYLE P (OR X AND C), AND MAIN KEY / KEYWAY POLARIZATION N (OR A,B,C,D, AND E).  
† AFTER PLATING, SUBJECT TO ACCEPTANCE USING A BASIC CLASS 3A GO GAGE.

MATERIAL: SHELL 303,304, 316 TYPE CRES; PINS 52 NICKEL ALLOY, ELASTOMER INTERFACIAL SEAL AND O-RING.  
STANDARD CONTACT IS SOLDER CUP, EYELET, AND FEEDTHROUGH.  
STANDARD CONTACT FINISH IS GOLD PLATED.  
OUR CONNECTORS MEET THE DIMENSIONAL REQUIREMENTS OF MIL-DTL-38999 AND MATE WITH ANY PLUG WITH SOCKET CONTACTS OF MIL-DTL-38999 /26.

SPECIAL SHELL, CONTACTS, AND FINISH (HEAVY GOLD, RHODIUM, OLIVE DRAB, etc.) CAN BE SUPPLIED TO MEET CUSTOMER SPECIFICATIONS - CONSULT FACTORY.

#### GENERAL SPECIFICATIONS

AIR LEAKAGE:  $1 \times 10^{-7}$  CM<sup>3</sup>/SEC AT 15psi  
INSULATION RESISTANCE: 5,000 megohms AT 500VDC  
OPERATING TEMPERATURE: -85°F TO +392°F (-65°C TO +200°C)

**Detronics Corporation**  
13071 ROSECRANS AVE, SANTA FE SPRINGS, CA 90670  
TELE: (626) 579-7130 FAX: (626) 579-1936  
[www.detronics.com](http://www.detronics.com)

MIL-DTL-38999 SERIES III TYPE, DJLTH SERIES  
(COMMERCIAL EQUAL HERMETIC GLASS-TO-METAL SEALED)

PART NUMBERING SYSTEM

DJLTH \* \* - \* - \* \* \* - \*\*\*

- Modifications (Deviation from Standard).
- Keyway Polarization: N, A, B, C, D, or E.
- Contact Style
  - P = Solder Cup Pins
  - X = Eyelet Pins
  - C = Feedthrough
- Insert Arrangement
- Shell Size
  - Z1 = Corrosion Resistant Steel, Passivated
  - Z2 = Corrosion Resistant Steel, Electrodeposited Nickel
  - Z3 = Corrosion Resistant Steel, Cadmium With Olive Drab
- Mounting Types:
  - 21 = Box Mount Flange
  - 23 = Jam-Nut Mount
  - 25 = Solder Mount
  - 27 = Weld Mount
- MIL-DTL-38999 Series III  
CLASS H AND Y, Hermetically Sealed

GENERAL SPECIFICATIONS:

MATERIAL

Shell and Jam-Nut: 303, 304, 316 Type Stainless Steel  
Pins: 52 Nickel Alloy  
Seals: Elastomer Interfacial Seal and O-Ring  
Insulator: Glass

CURRENT RATING

Contact Size 22: 3 AMPS  
Contact Size 20: 5 AMPS  
Contact Size 16: 10 AMPS

AIR LEAKAGE:

$1 \times 10^{-7}$  CM<sup>3</sup>/SEC AT 15psi

INSULATION RESISTANCE:

5,000 megohms AT 500VDC

OPERATING TEMPERATURE:

-85°F TO +392°F (-65°C TO +200°C)

STANDARD CONTACT FINISH IS GOLD PLATED.

OUR CONNECTORS MEET THE DIMENSIONAL REQUIREMENTS OF MIL-DTL-38999 AND MATE WITH ANY PLUG WITH SOCKET CONTACTS OF MIL-DTL-38999/26.

MODIFICATIONS:

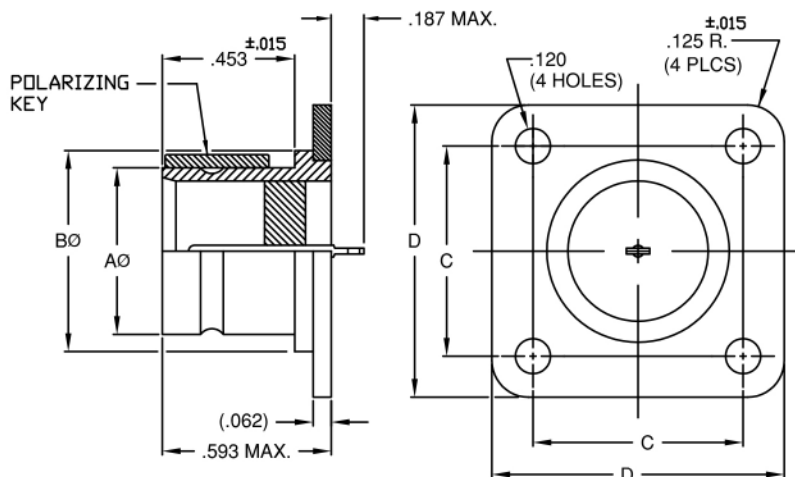
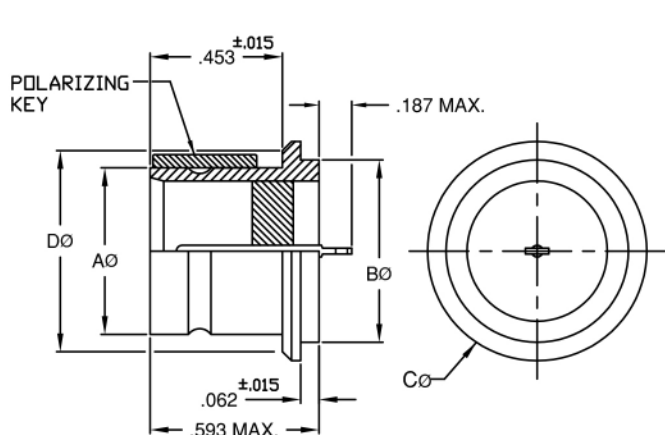
SPECIAL SHELL, CONTACTS, AND FINISH (HEAVY GOLD, ROHDIUM, OLIVE DRAB, etc) CAN BE SUPPLIED TO MEET CUSTOMER SPECIFICATIONS - CONSULT FACTORY.

**Detronics Corporation**

13071 ROSECRANS AVE, SANTA FE SPRINGS, CA 90670  
TELE: (626) 579-7130 FAX: (626) 579-1936  
[www.detronics.com](http://www.detronics.com)

# MINIATURE HERMETIC ELECTRONIC CONNECTORS—DPP SERIES

## MIL-C-81703 TYPE, COMMERCIAL EQUAL HERMETIC GLASS-TO-METAL SEALED (VACUUM / PRESSURE FEED THRU)



PART NO.	Aø ±.004	Bø +.000 -.004	Cø ±.015	Dø ±.015
DPPH00-3-50PN	.435	.500	.593	.531
DPPH00-7-50PN	.570	.625	.750	.687
DPPH00-12-50PN	.705	.749	.875	.812
DPPH00-19-50PN	.844	.875	1.000	.937

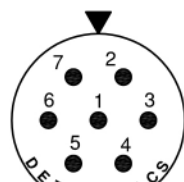
**DPPH00— SOLDER MOUNT CONNECTOR  
(MS3134 CLASS H, STYLE P)**

PART NO.	Aø ±.004	Bø ±.010	C ±.005	D ±.015
DPPH06-3-50PN	.435	.531	.625	.875
DPPH06-7-50PN	.570	.672	.719	1.000
DPPH06-12-50PN	.705	.812	.812	1.093
DPPH06-19-50PN	.844	.937	.906	1.187

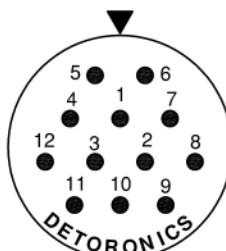
**DPPH06— SQUARE FLANGE MOUNT CONNECTOR  
(MS3132 CLASS H, STYLE P)**



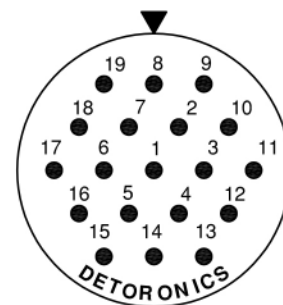
**3-50P**



**7-50P**



**12-50P**



**19-50P**

### ENGAGING FACE PIN INSERTS

▼ = INSERT ARRANGEMENT IS SHOWN IN NORMAL POSITION.

OTHER SHELL SIZES, PIN PATTERNS AND INSERT POSITIONS MAY BE AVAILABLE - CONSULT FACTORY.

MATERIAL: STANDARD IS CRS SHELL, 52 NICKEL ALLOY PINS AND NO INTERFACIAL SEAL.

STANDARD PIN IS EYELET TYPE. OTHER PIN TYPES ALSO AVAILABLE (SOLDER CUP, STRAIGHT) - CONSULT FACTORY.

STANDARD FINISH IS TIN PLATED SHELL AND PINS.

OTHER FINISHES ALSO AVAILABLE (GOLD, NICKEL, OLIVE DRAB, etc.) - CONSULT FACTORY.

SPECIALS CAN BE SUPPLIED TO MEET CUSTOMER SPECIFICATIONS - CONSULT FACTORY.

OUR CONNECTORS MATE WITH ANY PLUG WITH SOCKET CONTACTS WHICH MEET THE DIMENSIONAL REQUIREMENTS OF MIL-C-81703 AND MS3137.

### GENERAL SPECIFICATIONS

AIR LEAKAGE:  $1 \times 10^{-6}$  CM<sup>3</sup>/SEC AT 15psi

INSULATION RESISTANCE: 5,000 megohms AT 500VDC

OPERATING TEMPERATURE: -67°F TO +257°F (-55°C TO 125°C)

### **Detoronics Corporation**

13071 ROSECRANS AVE, SANTA FE SPRINGS, CA 90670

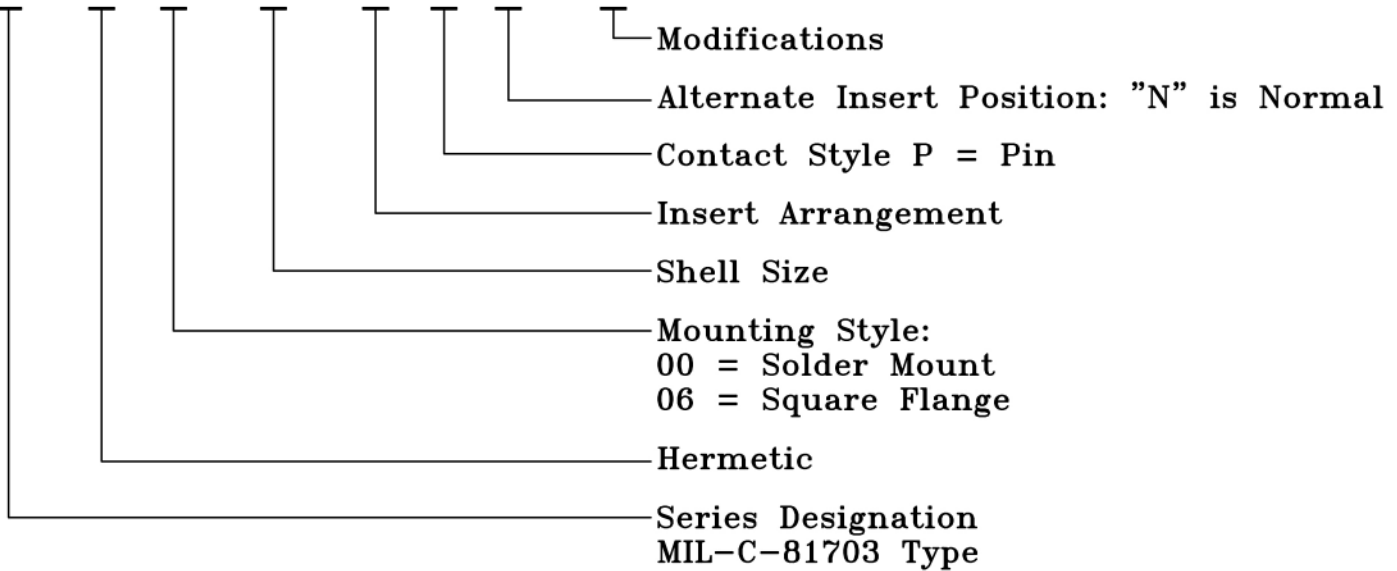
TELE: (626) 579-7130 FAX: (626) 579-1936

[www.detoronics.com](http://www.detoronics.com)

MIL-C-81703 TYPE, DPP SERIES  
(COMMERCIAL EQUAL - HERMETIC)

PART NUMBERING SYSTEM

DPP H 00 - 7 - 50 P N - \*\*\*



GENERAL SPECIFICATIONS

MATERIAL

Shell, Key and Flange: Carbon Steel  
Pins: 52 Nickel Alloy  
Seals: None  
Insulator: Glass

CURRENT RATING

Size 20: 5 AMPS

AIR LEAKAGE

$1 \times 10^{-6}$  CM<sup>3</sup>/SEC AT 15psi

INSULATION RESISTANCE

5,000 megohms AT 500VDC

OPERATING TEMPERATURE

-67°F TO +257°F (-55°C TO +125°C)

STANDARD PIN IS EYELET TYPE. OTHER PIN TYPES ALSO AVAILABLE  
(SOLDER CUP, STRAIGHT) - CONSULT FACTORY.

STANDARD FINISH IS TIN PLATED SHELL AND PINS.  
OTHER FINISHES ALSO AVAILABLE (GOLD, NICKEL, OLIVE DRAB, etc.) - CONSULT FACTORY.

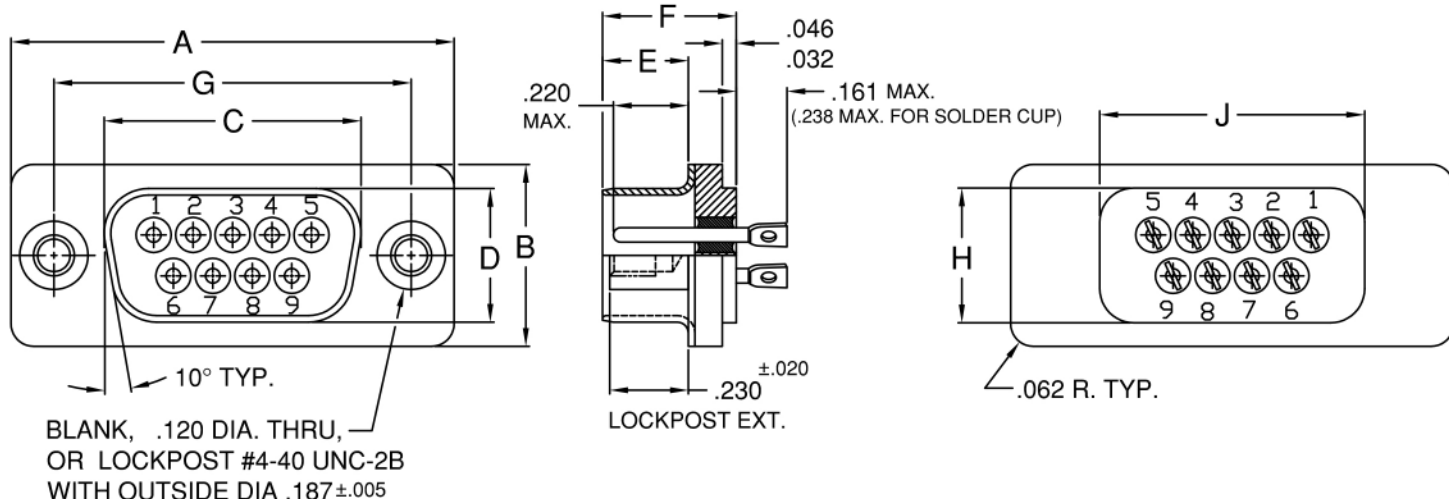
SPECIALS CAN BE SUPPLIED TO MEET CUSTOMER SPECIFICATIONS - CONSULT FACTORY.

OUR CONNECTORS MATE WITH ANY PLUG WITH SOCKET CONTACTS WHICH MEET  
THE DIMENSIONAL REQUIREMENTS OF MIL-C-81703 AND MS3137.

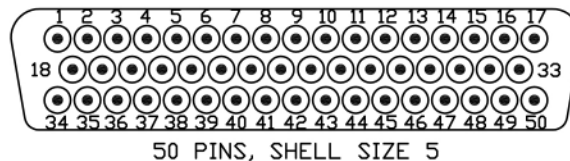
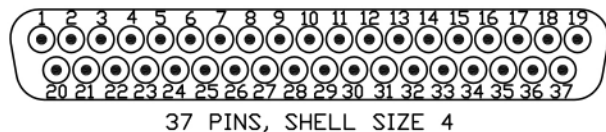
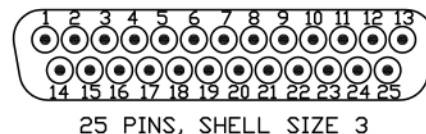
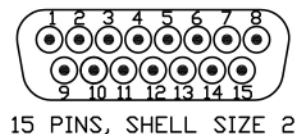
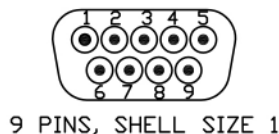
**Detronics Corporation**  
13071 ROSECRANS AVE, SANTA FE SPRINGS, CA 90670  
TELE: (626) 579-7130 FAX: (626) 579-1936  
[www.detronics.com](http://www.detronics.com)

# MINIATURE HERMETIC ELECTRONIC CONNECTORS—DRH SERIES

MIL-DTL-24308 TYPE D-SUB, COMMERCIAL EQUAL  
HERMETIC GLASS-TO-METAL SEALED  
(VACUUM / PRESSURE FEED THRU)



PART NO.	A	B	C	D	E	F	G	H	J
DRH1-9P-*	±.015	±.010	±.010	±.010	±.010	±.020	±.005	±.010	±.010
DRH2-15P-*	1.541	.498	1.029	.366	.235	.367	1.312	.369	.932
DRH3-25P-*	2.088	.498	1.571	.366	.230	.362	1.852	.369	1.479
DRH4-37P-*	2.729	.498	2.219	.366	.230	.362	2.500	.369	2.125
DRH5-50P-*	2.635	.610	2.115	.477	.230	.362	2.406	.500	2.000



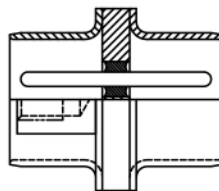
## ENGAGING FACE PIN INSERTS

\*ADD SUFFIX NUMBER FOR MODIFICATION (THRU HOLES, LOCKPOSTS, PLATING, PIN TYPE) - CONSULT FACTORY.  
MATERIAL: STANDARD IS CRS SHELL AND 52 NICKEL ALLOY PINS.  
STANDARD PIN IS EYELET TYPE. OTHER PIN TYPES ALSO AVAILABLE (SOLDER CUP, STRAIGHT) - CONSULT FACTORY.  
STANDARD FINISH IS TIN PLATED SHELL AND PINS.  
OTHER FINISHES ALSO AVAILABLE (GOLD, NICKEL, etc.) - CONSULT FACTORY.  
SPECIALS CAN BE SUPPLIED TO MEET CUSTOMER SPECIFICATIONS - CONSULT FACTORY.  
OUR CONNECTORS MATE WITH ANY PLUG WITH SOCKET CONTACTS WHICH MEET THE DIMENSIONAL REQUIREMENTS OF MIL-DTL-24308

### GENERAL SPECIFICATIONS

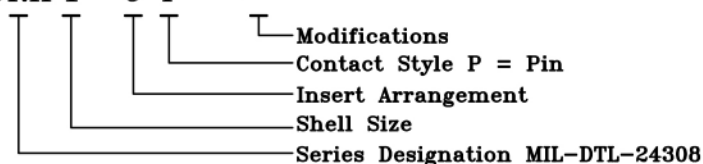
AIR LEAKAGE:  $1.04 \times 10^{-5}$  CM<sup>3</sup>/SEC AT 15psi  
INSULATION RESISTANCE: 5,000 megohms AT 500VDC  
OPERATING TEMPERATURE: -67°F TO +257°F (-55°C TO +125°C)  
CURRENT RATING: 5 AMPS

ALSO AVAILABLE  
THRU BULKHEAD  
DRTBH SERIES  
STANDARD  
LOCKPOSTS  
THRU HOLES  
CONSULT FACTORY



### PART NUMBERING SYSTEM

DRH 1 - 9 P - \*\*\*

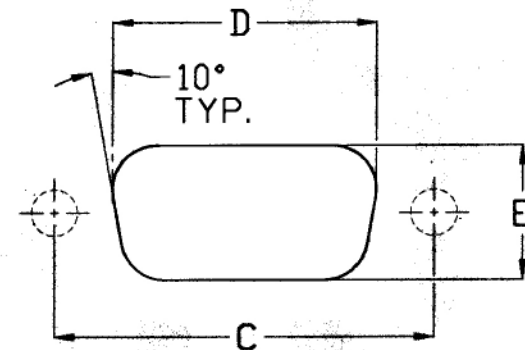
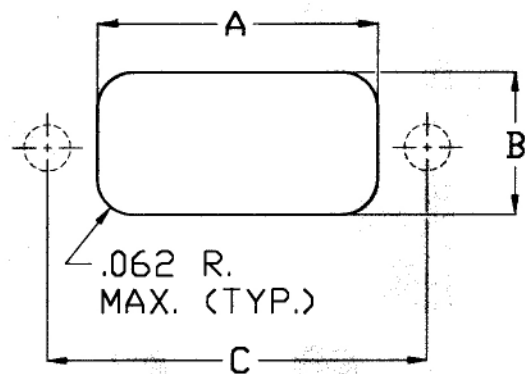


**Detronics Corporation**  
13071 ROSECRANS AVE, SANTA FE SPRINGS, CA 90670  
TELE: (626) 579-7130 FAX: (626) 579-1936  
www.detronics.com

# PANEL CUT OUT FOR D-SUB SERIES

PART NO.	A MIN.	B MIN.	C ±.005	D MIN.	E MIN.
DRH1-9P-*	.735	.379	.984	.794	.457
DRH2-15P-*	.942	.379	1.312	1.120	.457
DRH3-25P-*	1.489	.379	1.852	1.682	.477
DRH4-37P-*	2.135	.379	2.500	2.330	.477
DRH5-50P-*	2.010	.510	2.406	2.226	.583

PART NO.	C ±.005	D MIN.	E MIN.
DRTBH1-9P-*	.984	.794	.457
DRTBH2-15P-*	1.312	1.120	.457
DRTBH3-25P-*	1.852	1.682	.477
DRTBH4-37P-*	2.500	2.330	.477
DRTBH5-50P-*	2.406	2.226	.583



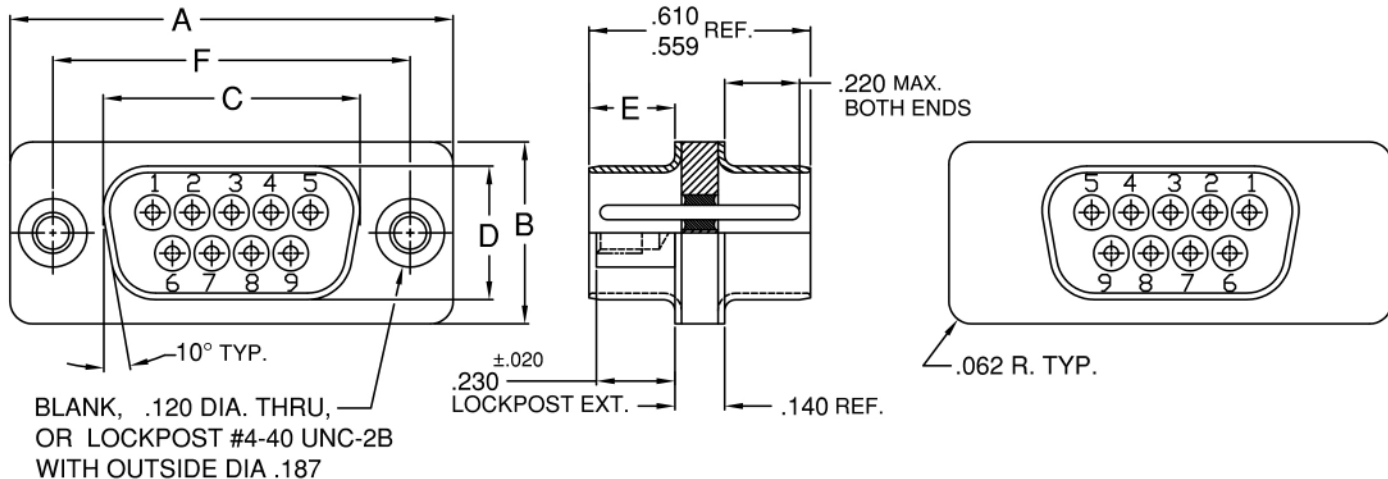
[www.detoronics.com](http://www.detoronics.com)

**Detoronics Corporation**  
 13071 ROSECRANS AVE, SANTA FE SPRINGS, CA 90670  
 TELE: (626) 579-7130 FAX: (626) 579-1936

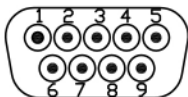
**D-SUB STANDARD  
 MIL-C-24308 TYPE**

# MINIATURE HERMETIC ELECTRONIC CONNECTORS—DRTBH SERIES

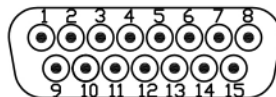
MIL-DTL-24308 TYPE D-SUB THRU BULKHEAD, COMMERCIAL EQUAL  
HERMETIC GLASS-TO-METAL SEALED  
(VACUUM / PRESSURE FEED THRUS)



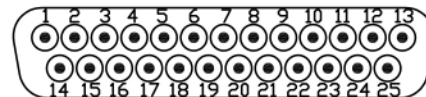
PART NO.	A	B	C	D	E	F
DRTBH1-9P-*	±.015	±.010	±.010	±.010	±.010	±.005
DRTBH2-15P-*	1.213	.498	.703	.366	.235	.984
DRTBH3-25P-*	1.541	.498	1.029	.366	.235	1.312
DRTBH4-37P-*	2.088	.498	1.571	.366	.230	1.852
DRTBH5-50P-*	2.729	.498	2.219	.366	.230	2.500
DRTBH5-50P-*	2.635	.610	2.115	.477	.230	2.406



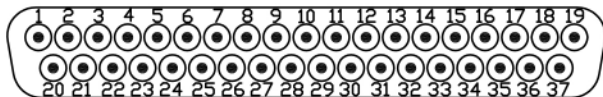
9 PINS, SHELL SIZE 1



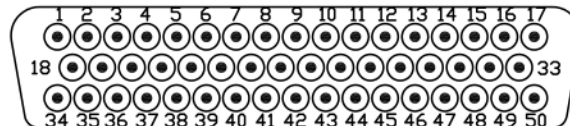
15 PINS, SHELL SIZE 2



25 PINS, SHELL SIZE 3



37 PINS, SHELL SIZE 4



50 PINS, SHELL SIZE 5

## ENGAGING FACE PIN INSERTS

\*ADD SUFFIX NUMBER FOR MODIFICATION (THRU HOLES, LOCKPOSTS, PLATING) - CONSULT FACTORY.

MATERIAL: STANDARD IS CRS SHELL AND 52 NICKEL ALLOY PINS.

STANDARD FINISH IS TIN PLATED SHELL AND PINS.

OTHER FINISHES ALSO AVAILABLE (GOLD, NICKEL, etc.) - CONSULT FACTORY.

SPECIALS CAN BE SUPPLIED TO MEET CUSTOMER SPECIFICATIONS - CONSULT FACTORY.

OUR CONNECTORS MATE WITH ANY PLUG WITH SOCKET CONTACTS WHICH MEET THE DIMENSIONAL REQUIREMENTS OF MIL-DTL-24308

### GENERAL SPECIFICATIONS

AIR LEAKAGE:  $1.04 \times 10^{-5}$  CM<sup>3</sup>/SEC AT 15psi

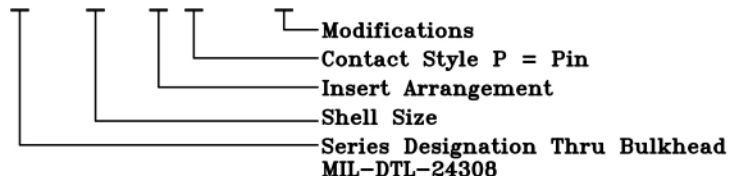
INSULATION RESISTANCE: 5,000 megohms AT 500VDC

OPERATING TEMPERATURE: -67°F TO +257°F (-55°C TO +125°C)

CURRENT RATING: 5 AMPS

### PART NUMBERING SYSTEM

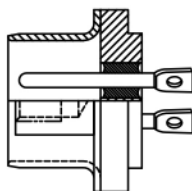
DRTBH 1 - 9 P - \*\*\*



ALSO AVAILABLE D-SUB  
DRH SERIES

STANDARD  
LOCKPOSTS  
THRU HOLES

CONSULT FACTORY



**Detronics Corporation**

13071 ROSECRANS AVE, SANTA FE SPRINGS, CA 90670

TELE: (626) 579-7130 FAX: (626) 579-1936

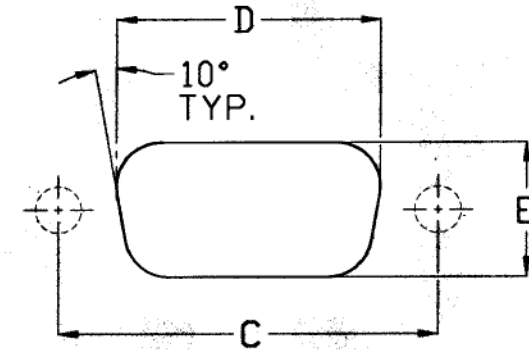
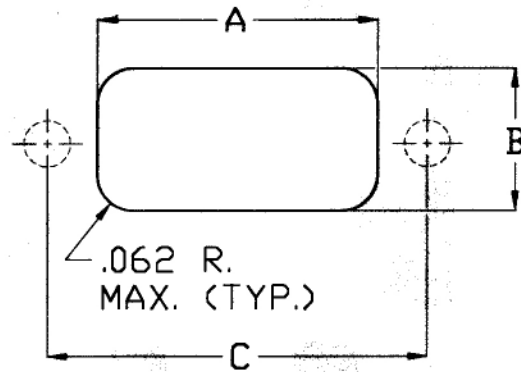
www.detronics.com



# PANEL CUT OUT FOR D-SUB SERIES

PART NO.	A MIN.	B MIN.	C ±.005	D MIN.	E MIN.
DRH1-9P-*	.735	.379	.984	.794	.457
DRH2-15P-*	.942	.379	1.312	1.120	.457
DRH3-25P-*	1.489	.379	1.852	1.682	.477
DRH4-37P-*	2.135	.379	2.500	2.330	.477
DRH5-50P-*	2.010	.510	2.406	2.226	.583

PART NO.	C ±.005	D MIN.	E MIN.
DRTBH1-9P-*	.984	.794	.457
DRTBH2-15P-*	1.312	1.120	.457
DRTBH3-25P-*	1.852	1.682	.477
DRTBH4-37P-*	2.500	2.330	.477
DRTBH5-50P-*	2.406	2.226	.583



[www.detoronics.com](http://www.detoronics.com)

**Detoronics Corporation**

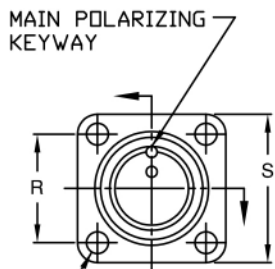
13071 ROSECRANS AVE, SANTA FE SPRINGS, CA 90670

TELE: (626) 579-7130 FAX: (626) 579-1936

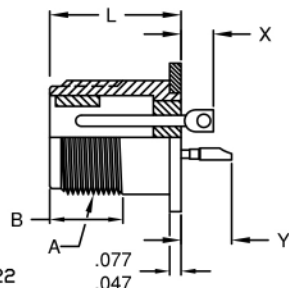
**D-SUB STANDARD  
MIL-C-24308 TYPE**

# MINIATURE HERMETIC ELECTRONIC CONNECTORS-DS SERIES

## MIL-DTL-5015 TYPE, COMMERCIAL EQUAL HERMETIC GLASS-TO-METAL SEALED (VACUUM / PRESSURE FEED THRU)

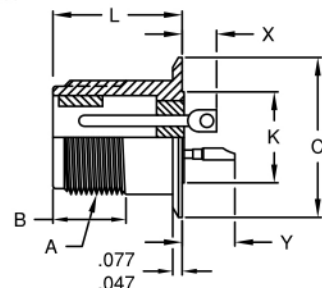
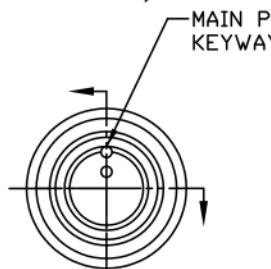


4 HOLES  
.120 $\pm$ .005 - SHELL SIZES 8 THRU 22  
.147 $\pm$ .005 - SHELL SIZE 28



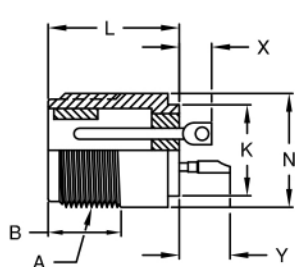
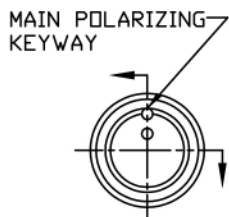
### DS02H - 111 SQUARE FLANGE MOUNT CONNECTORS (MS3142 CLASS H TYPE)

PART NO.	S $\pm$ .031	R T.P. C-C	L MAX.	B MIN. THD.	A THREAD $\dagger$ CLASS-2A
DS02H-10SL-* -111	1.000	.719	.730	.375	.625-24 UNEF
DS02H-12S-* -111	1.094	.812	.730	.375	.750-20 UNEF
DS02H-14S-* -111	1.188	.906	.730	.375	.875-20 UNEF
DS02H-16S-* -111	1.281	.969	.730	.375	1.000-20 UNEF
DS02H-18-* -111	1.375	1.062	.915	.625	1.125-18 UNEF
DS02H-20-* -111	1.500	1.156	.915	.625	1.250-18 UNEF
DS02H-22-* -111	1.625	1.250	.915	.625	1.375-18 UNEF
DS02H-28-* -111	2.000	1.562	.915	.625	1.750-18 UNS
CONTACT SIZE 16	X MAX. .219		Y MAX. .375		



### DS02H - 251 ROUND FLANGE MOUNT CONNECTORS (MIS3143 CLASS H TYPE)

PART NO.	K $\pm$ .010	C $\pm$ .010	L MAX.	B MIN. THD.	A THREAD $\dagger$ CLASS-2A
DS02H-10SL-* -251	.490	.875	.730	.375	.625-24 UNEF
DS02H-12S-* -251	.646	1.000	.730	.375	.750-20 UNEF
DS02H-14S-* -251	.709	1.125	.730	.375	.875-20 UNEF
DS02H-16S-* -251	.834	1.250	.730	.375	1.000-20 UNEF
DS02H-18-* -251	.959	1.375	.915	.625	1.125-18 UNEF
DS02H-20-* -251	1.146	1.500	.915	.625	1.250-18 UNEF
DS02H-22-* -251	1.240	1.625	.915	.625	1.375-18 UNEF
DS02H-28-* -251	1.615	2.000	.915	.625	1.750-18 UNS
CONTACT SIZE 16	X MAX. .219		Y MAX. .375		



### DS02H - 001 FLANGELESS MOUNT CONNECTORS

PART NO.	K $\pm$ .010	N +.000 -.062	L MAX.	B MIN. THD.	A THREAD $\dagger$ CLASS-2A
DS02H-10SL-* -001	.490	.656	.730	.375	.625-24 UNEF
DS02H-12S-* -001	.646	.782	.730	.375	.750-20 UNEF
DS02H-14S-* -001	.709	.906	.730	.375	.875-20 UNEF
DS02H-16S-* -001	.834	1.032	.730	.375	1.000-20 UNEF
DS02H-18-* -001	.959	1.156	.915	.625	1.125-18 UNEF
DS02H-20-* -001	1.146	1.282	.915	.625	1.250-18 UNEF
DS02H-22-* -001	1.240	1.406	.915	.625	1.375-18 UNEF
DS02H-28-* -001	1.615	1.782	.915	.625	1.750-18 UNS
CONTACT SIZE 16	X MAX. .219		Y MAX. .375		

\* ADD DESIRED INSERT ARRANGEMENT.

▼ INSERT ARRANGEMENT IS SHOWN IN NORMAL POSITION.

† AFTER PLATING, SUBJECT TO ACCEPTANCE USING A BASIC CLASS 3A GO GAGE.

OTHER SHELL SIZES, PIN PATTERNS AND INSERT POSITIONS MAY BE AVAILABLE - CONSULT FACTORY.

MATERIAL: STANDARD IS CRS SHELL, 52 NICKEL ALLOY PINS AND NO INTERFACIAL SEAL.

STANDARD PIN IS EYELET TYPE. OTHER PIN TYPES ALSO AVAILABLE

(SOLDER CUP, STRAIGHT, THERMOCOUPLE) - CONSULT FACTORY.

STANDARD FINISH IS TIN PLATED SHELL AND PINS.

OTHER FINISHES ALSO AVAILABLE (GOLD, NICKEL, OLIVE DRAB, etc.) - CONSULT FACTORY.

SPECIALS CAN BE SUPPLIED TO MEET CUSTOMER SPECIFICATIONS - CONSULT FACTORY.

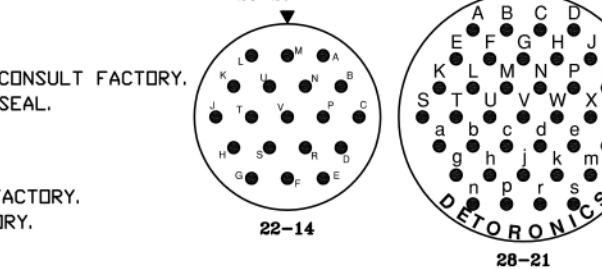
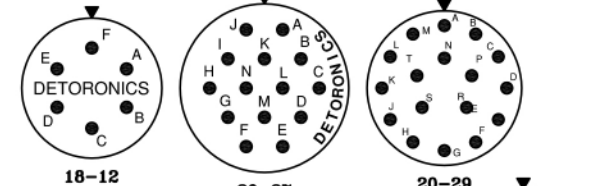
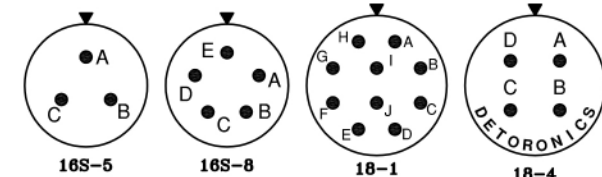
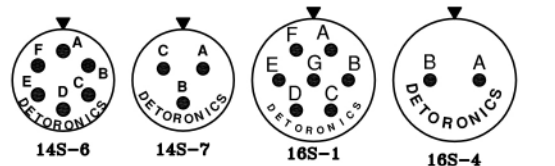
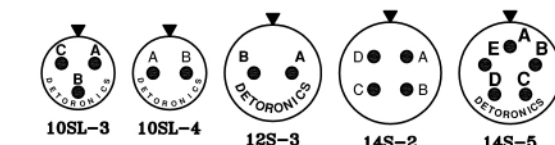
OUR CONNECTORS MATE WITH ANY PLUG WITH SOCKET CONTACTS WHICH MEET THE DIMENSIONAL REQUIREMENTS OF MIL-DTL-5015 AND MS3106.

#### GENERAL SPECIFICATIONS

AIR LEAKAGE: 1x10<sup>-6</sup> CM<sup>3</sup>/SEC AT 15psi

INSULATION RESISTANCE: 5,000 megohms AT 500VDC

OPERATING TEMPERATURE: -67°F TO +347°F (-55°C TO +175°C)



#### ENGAGING FACE PIN INSERTS

### Detoronics Corporation

13071 ROSECRANS AVE, SANTA FE SPRINGS, CA 90670

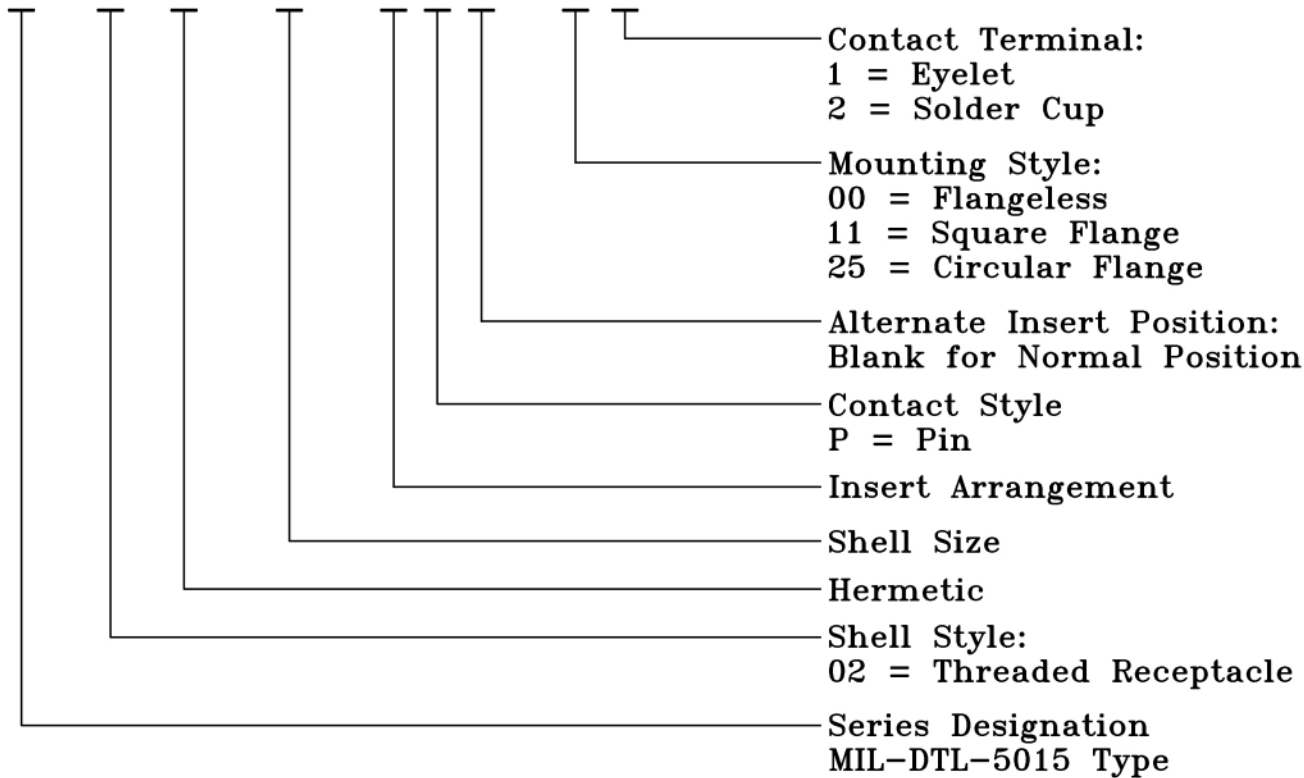
TELE: (626) 579-7130 FAX: (626) 579-1936

www.detoronics.com

MIL-DTL-5015 TYPE, DS SERIES  
(COMMERCIAL EQUAL - HERMETIC)

PART NUMBERING SYSTEM

DS 02 H-16S -1 P\* -111



GENERAL SPECIFICATIONS

MATERIAL

Shell, Key and Flange: Carbon Steel  
Pins: 52 Nickel Alloy  
Seals: None  
Insulator: Glass

CURRENT RATING

Size 20: 5 AMPS  
Size 16: 10 AMPS

AIR LEAKAGE

$1 \times 10^{-6}$  CM<sup>3</sup>/SEC AT 15psi

INSULATION RESISTANCE

5,000 megohms AT 500VDC

OPERATING TEMPERATURE

-67°F TO +347°F (-55°C TO +175°C)

STANDARD PIN IS EYELET TYPE. OTHER PIN TYPES ALSO AVAILABLE  
(SOLDER CUP, STRAIGHT, THERMOCOUPLE) - CONSULT FACTORY.

STANDARD FINISH IS TIN PLATED SHELL AND PINS.  
OTHER FINISHES ALSO AVAILABLE (GOLD, NICKEL, OLIVE DRAB, etc.) - CONSULT FACTORY.

SPECIALS CAN BE SUPPLIED TO MEET CUSTOMER SPECIFICATIONS - CONSULT FACTORY.

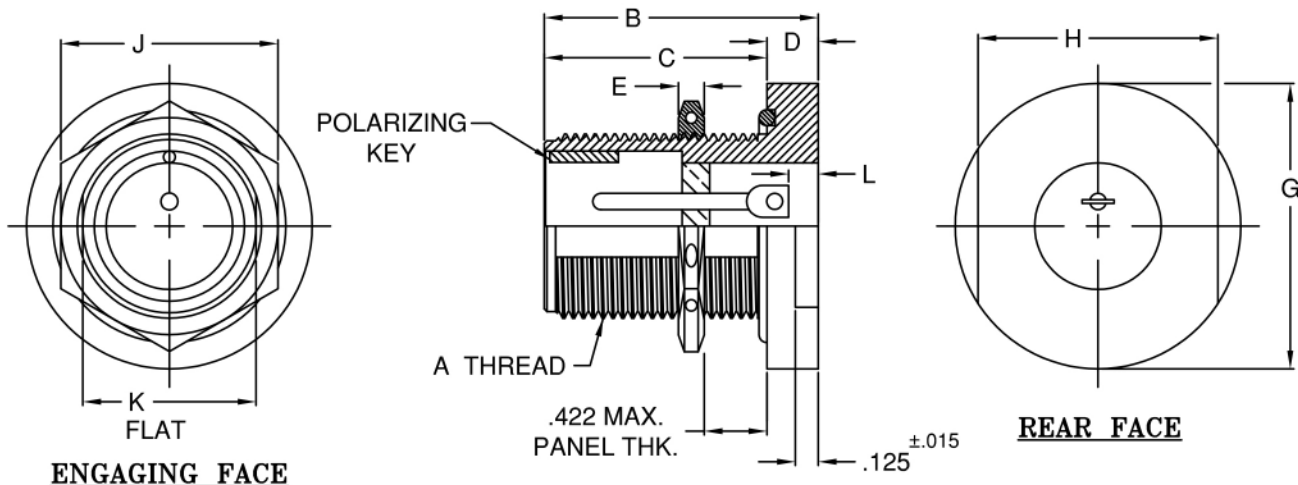
OUR CONNECTORS MATE WITH ANY PLUG WITH SOCKET CONTACTS WHICH MEET  
THE DIMENSIONAL REQUIREMENTS OF MIL-DTL-5015 AND MS3106.

**Detronics Corporation**

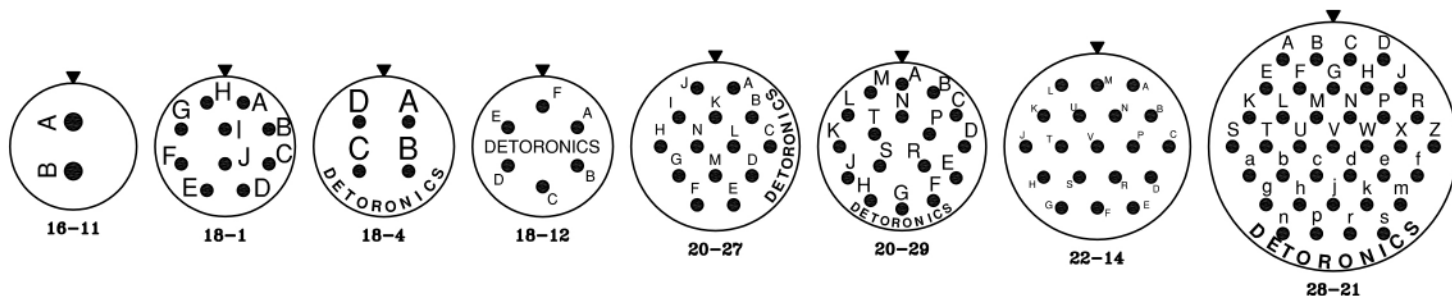
13071 ROSECRANS AVE, SANTA FE SPRINGS, CA 90670  
TELE: (626) 579-7130 FAX: (626) 579-1936  
[www.detronics.com](http://www.detronics.com)

# MINIATURE HERMETIC ELECTRONIC CONNECTORS—DSBFH SERIES

MIL-DTL-5015 TYPE, THRU BULKHEAD JAM NUT COMMERCIAL EQUAL  
HERMETIC GLASS-TO-METAL SEALED  
(VACUUM / PRESSURE FEED THRUS)



PART NO.	A THREAD CLASS 2A †	B ±.015	C MIN.	D ±.015	E ±.015	G ±.015	H ±.015	J MAX.	K MAX.	L MAX.
DSBFH-16-*P-001	1.000-20 UNEF	1.500	1.094	.281	.141	1.563	1.313	1.135	.939	.350
DSBFH-18-*P-001	1.125-18 UNEF	1.500	1.094	.281	.141	1.688	1.438	1.260	1.057	.350
DSBFH-20-*P-001	1.250-18 UNEF	1.500	1.094	.281	.141	1.813	1.563	1.385	1.182	.350
DSBFH-22-*P-001	1.375-18 UNEF	1.500	1.094	.281	.141	1.938	1.688	1.510	1.307	.350
DSBFH-28-*P-001	1.750-18 UNS	1.500	1.094	.281	.141	2.313	2.062	1.885	1.682	.350



ENGAGING FACE PIN INSERTS

\* ADD DESIRED INSERT ARRANGEMENT.

▼ = INSERT ARRANGEMENT IS SHOWN IN NORMAL POSITION.

† AFTER PLATING, SUBJECT TO ACCEPTANCE USING A BASIC CLASS 3A GO GAGE.

OTHER SHELL SIZES, PIN PATTERNS AND INSERT POSITIONS MAY BE AVAILABLE - CONSULT FACTORY.

MATERIAL: STANDARD IS CRS SHELL, 52 NICKEL ALLOY PINS AND NO INTERFACIAL SEAL.

STANDARD PIN IS EYELET TYPE, OTHER PIN TYPES ALSO AVAILABLE (SOLDER CUP, STRAIGHT) - CONSULT FACTORY.

STANDARD FINISH IS TIN PLATED SHELL AND PINS.

OTHER FINISHES ALSO AVAILABLE (GOLD, NICKEL, OLIVE DRAB, etc.) - CONSULT FACTORY.

SPECIALS CAN BE SUPPLIED TO MEET CUSTOMER SPECIFICATIONS - CONSULT FACTORY.

OUR CONNECTORS MATE WITH ANY PLUG WITH SOCKET CONTACTS WHICH MEET THE DIMENSIONAL REQUIREMENTS OF MIL-DTL-5015 AND MS3106.

## PART NUMBERING SYSTEM

DS BFH - 20 - 27 P \* - 00 1

- Eyelet Pin
- Round Flange
- Alternate Insert Positions
- Blank For Normal Position
- Contact Style P = Pin
- Layout
- Shell Size
- Bulkhead, Jam Nut
- Series Designation MIL-DTL-5015

## GENERAL SPECIFICATIONS

- AIR LEAKAGE:  $1 \times 10^{-6}$  CM<sup>3</sup>/SEC AT 15psi
- INSULATION RESISTANCE: 5,000 megohms AT 500VDC
- OPERATING TEMPERATURE: -67°F TO +347°F (-55°C TO +175°C)
- CURRENT RATING: SIZE 16: 10 AMPS, SIZE 12: 17 AMPS

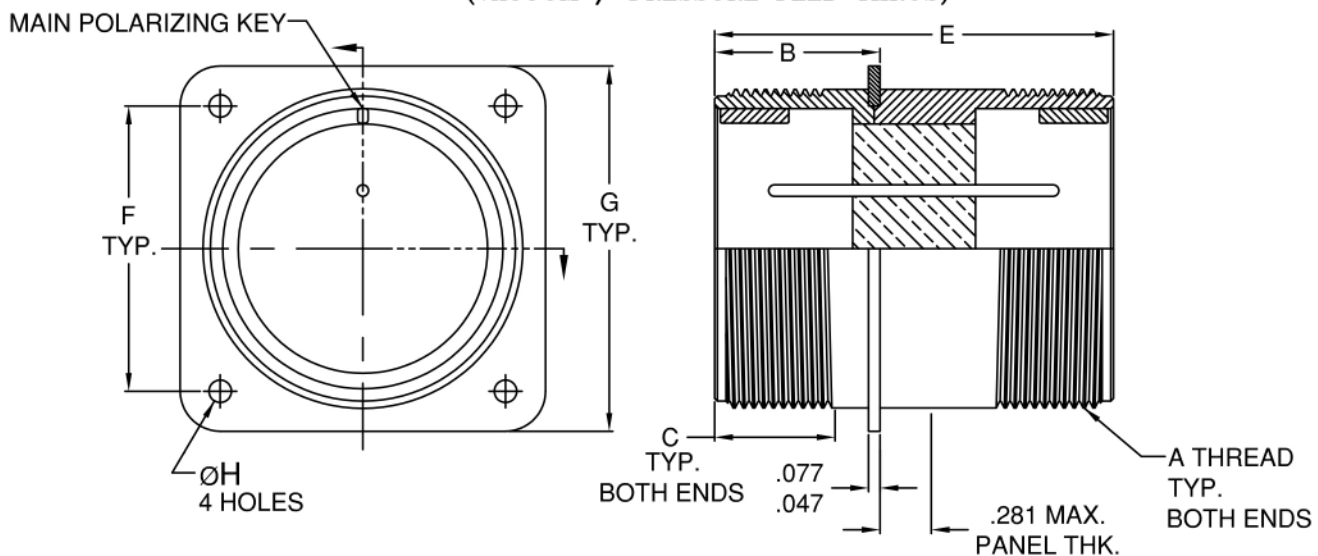
## Detoronics Corporation

13071 ROSECRAVENS AVE, SANTA FE SPRINGS, CA 90670  
TELE: (626) 579-7130 FAX: (626) 579-1936

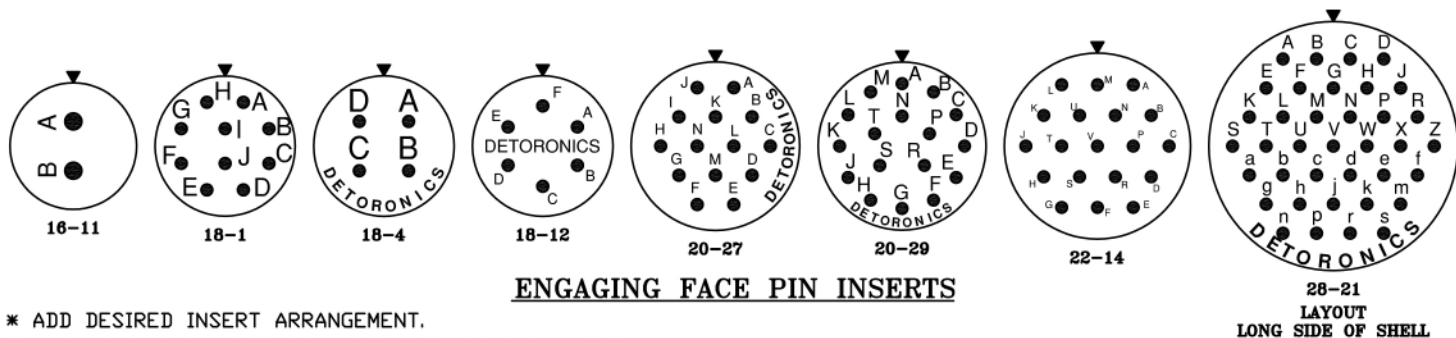
www.detoronics.com

# MINIATURE HERMETIC ELECTRONIC CONNECTORS-DSTBFH SERIES

MIL-DTL-5015 TYPE, THRU BULKHEAD COMMERCIAL EQUAL  
HERMETIC GLASS-TO-METAL SEALED  
(VACUUM / PRESSURE FEED THRUS)



PART NO.	A THREAD CLASS 2A †	B MAX.	C MIN.	E MAX.	F ±.005	G ±.031	ØH ±.005
DSTBFH-16-*PP-110	1.000-20 UNEF	.915	.625	2.072	.969	1.281	.120
DSTBFH-18-*PP-110	1.125-18 UNEF	.915	.625	2.072	1.062	1.375	.120
DSTBFH-20-*PP-110	1.250-18 UNEF	.915	.625	2.072	1.156	1.500	.120
DSTBFH-22-*PP-110	1.375-18 UNEF	.915	.625	2.197	1.250	1.625	.120
DSTBFH-28-*PP-110	1.750-18 UNS	.915	.625	2.197	1.562	2.000	.147



\* ADD DESIRED INSERT ARRANGEMENT.

▼ = INSERT ARRANGEMENT IS SHOWN IN NORMAL POSITION.

† AFTER PLATING, SUBJECT TO ACCEPTANCE USING A BASIC CLASS 3A GO GAGE.

OTHER SHELL SIZES, PIN PATTERNS AND INSERT POSITIONS MAY BE AVAILABLE - CONSULT FACTORY.

MATERIAL: STANDARD IS CRS SHELL, 52 NICKEL ALLOY PINS AND NO INTERFACIAL SEAL.

STANDARD FINISH IS TIN PLATED SHELL AND PINS.

OTHER FINISHES ALSO AVAILABLE (GOLD, NICKEL, OLIVE DRAB, etc.) - CONSULT FACTORY.

SPECIALS CAN BE SUPPLIED TO MEET CUSTOMER SPECIFICATIONS - CONSULT FACTORY.

OUR CONNECTORS MATE WITH ANY PLUG WITH SOCKET CONTACTS WHICH MEET THE DIMENSIONAL REQUIREMENTS OF MIL-DTL-5015 AND MS3106.

## GENERAL SPECIFICATIONS

AIR LEAKAGE:  $1 \times 10^{-6}$  CM<sup>3</sup>/SEC AT 15psi

INSULATION RESISTANCE: 5,000 megohms AT 500VDC

OPERATING TEMPERATURE: -67°F TO +347°F (-55°C TO +175°C)

CURRENT RATING: SIZE 16: 10 AMPS, SIZE 12: 17 AMPS

## PART NUMBERING SYSTEM

DS TBFH - 28 - 21 PP - 11 0

Double Radius Pin  
Square Flange  
Contact Style P = Pin  
Layout  
Shell Size  
Thru Bulkhead  
Series Designation MIL-DTL-5015

## Detoronic Corporation

13071 ROSECRANS AVE, SANTA FE SPRINGS, CA 90670

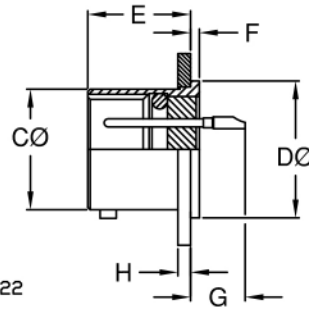
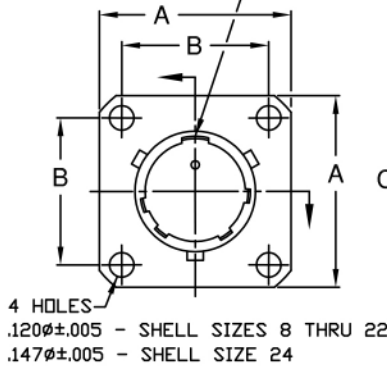
TELE: (626) 579-7130 FAX: (626) 579-1936

www.detoronic.com

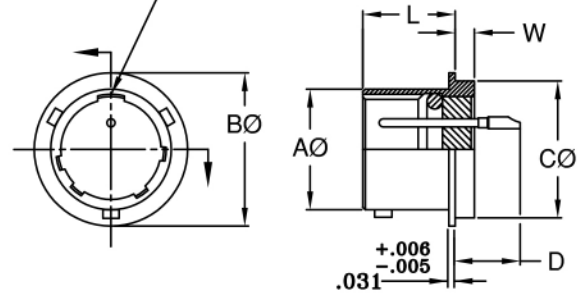
# MINIATURE HERMETIC ELECTRONIC CONNECTORS-DT SERIES

## MIL-DTL-26482 TYPE, COMMERCIAL EQUAL HERMETIC GLASS-TO-METAL SEALED (VACUUM / PRESSURE FEED THRU)

MAIN POLARIZING KEYWAY



MAIN POLARIZING KEYWAY



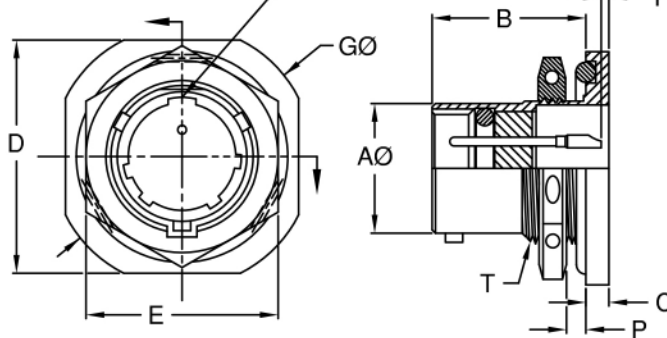
PART NO.	A ±.016	B TYP.	C∅ +.001 -.005	D∅ +.001 -.005	E +.025 -.015	F ±.016	G MAX.	H ±.016
DT02H-8-#PN	.812	.594	.473	.562	.494	.047	.344	.062
DT02H-10-#PN	.938	.719	.590	.672	.494	.047	.344	.062
DT02H-12-#PN	1.031	.812	.750	.781	.494	.047	.344	.062
DT02H-14-#PN	1.125	.906	.875	.906	.494	.047	.344	.062
DT02H-16-#PN	1.219	.969	1.000	1.031	.494	.047	.344	.062
DT02H-18-#PN	1.312	1.062	1.125	1.156	.494	.047	.344	.062
DT02H-20-#PN	1.438	1.156	1.250	1.220	.556	.047	.344	.094
DT02H-22-#PN	1.562	1.250	1.375	1.340	.556	.079	.377	.094
DT02H-24-#PN	1.688	1.375	1.500	1.470	.588	.079	.377	.094

**DT02H - FLANGE MOUNT CONNECTORS  
(MS3112 CLASS H TYPE)**

PART NO.	A∅ +.001 -.005	B∅ MAX.	C∅ +.001 -.005	D MAX.	L +.025 -.016	W +.011 -.010
DT1H-8-#PN	.473	.636	.562	.386	.447	.094
DT1H-10-#PN	.590	.761	.672	.386	.447	.094
DT1H-12-#PN	.750	.855	.781	.386	.447	.094
DT1H-14-#PN	.875	.980	.906	.386	.447	.094
DT1H-16-#PN	1.000	1.105	1.031	.386	.447	.094
DT1H-18-#PN	1.125	1.229	1.156	.386	.447	.094
DT1H-20-#PN	1.250	1.323	1.250	.386	.509	.094
DT1H-22-#PN	1.375	1.449	1.375	.418	.509	.125
DT1H-24-#PN	1.500	1.574	1.500	.418	.542	.125

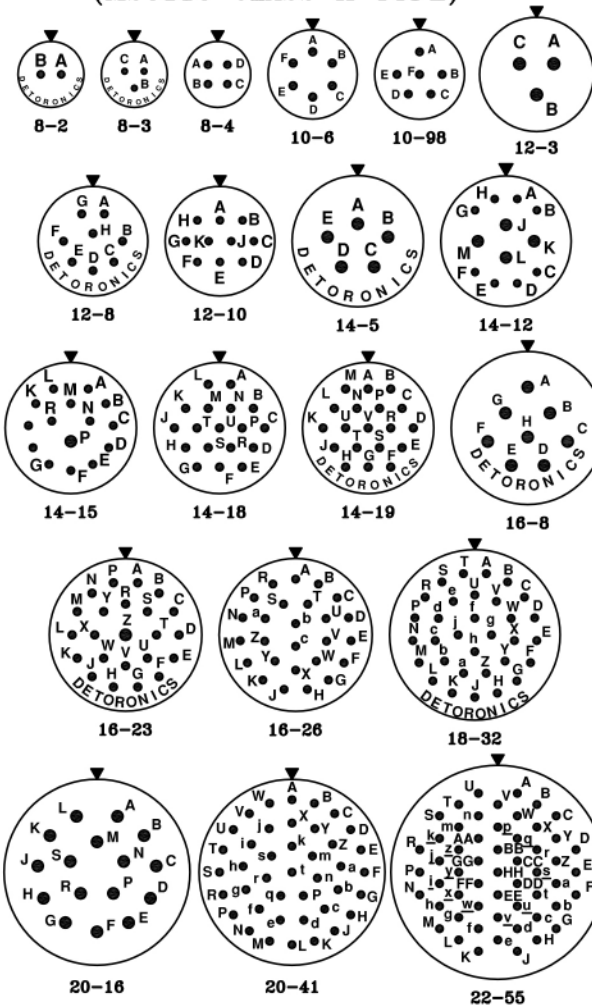
**DT1H - SOLDER MOUNT CONNECTORS  
(MS3113 CLASS H TYPE)**

MAIN POLARIZING KEYWAY



PART NO.	A∅ +.001 -.005	B +.031 -.000	C ±.020	D MAX.	E HEX ±.017	F PIN ±.030	G∅ +.000 -.032	P PANEL THK. MIN. MAX.	T THREAD †
DT07H-8-#PN	.473	.691	.117	.954	.750	.025	1.078	.062 .125	.5625-24
DT07H-10-#PN	.590	.691	.117	1.078	.875	.025	1.203	.062 .125	.6875-24
DT07H-12-#PN	.750	.691	.117	1.266	1.062	.025	1.391	.062 .125	.875-20
DT07H-14-#PN	.875	.691	.117	1.391	1.188	.025	1.516	.062 .125	1.000-20
DT07H-16-#PN	1.000	.691	.117	1.516	1.312	.025	1.641	.062 .125	1.125-18
DT07H-18-#PN	1.125	.691	.117	1.641	1.438	.025	1.766	.062 .125	1.250-18
DT07H-20-#PN	1.250	.879	.148	1.828	1.562	.190	1.954	.062 .250	1.375-18
DT07H-22-#PN	1.375	.879	.148	1.954	1.688	.190	2.078	.062 .250	1.500-18
DT07H-24-#PN	1.500	.912	.148	2.078	1.812	.220	2.203	.062 .250	1.625-18

**DT07H - JAM NUT MOUNT CONNECTORS (MS3114 CLASS H TYPE)**



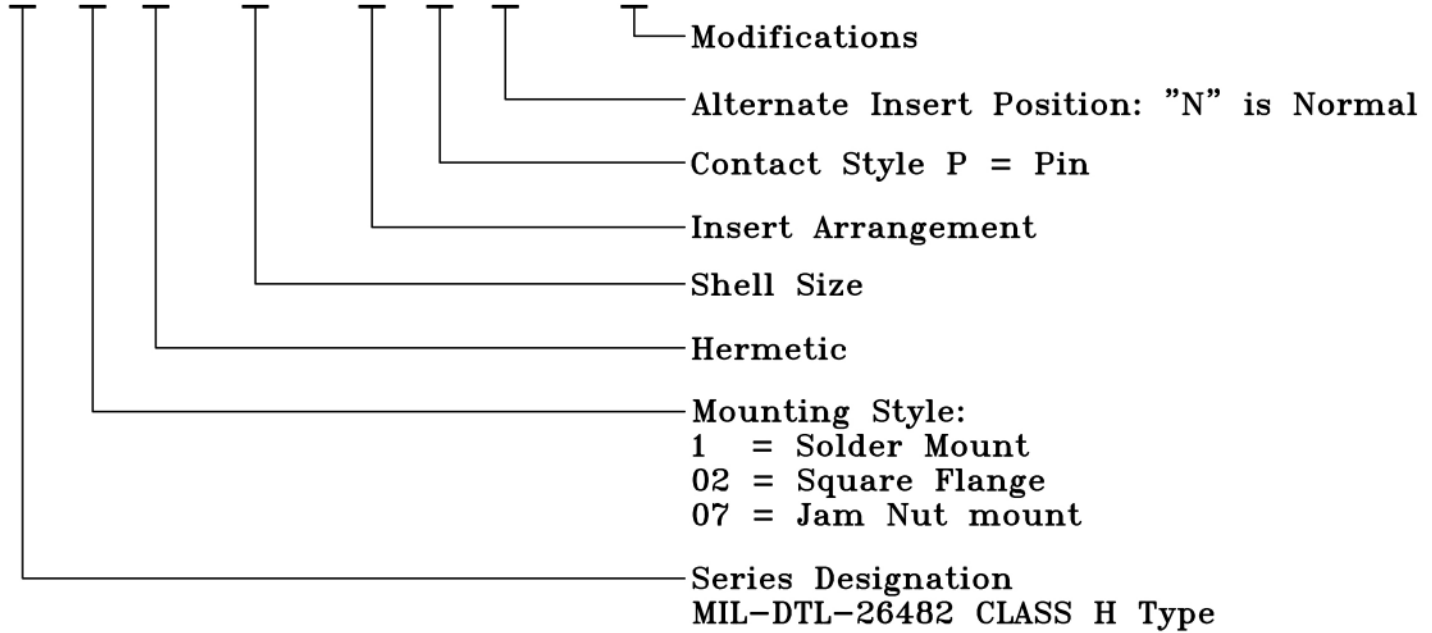
**ENGAGING FACE PIN INSERTS**

**Detronics Corporation**  
13071 ROSECRANS AVE, SANTA FE SPRINGS, CA 90670  
TELE: (626) 579-7130 FAX: (626) 579-1936  
www.detronics.com

MIL-DTL-26482 TYPE, DT SERIES  
(COMMERCIAL EQUAL - HERMETIC)

PART NUMBERING SYSTEM

DT 1 H - 22 - 55 P N - \*\*\*



GENERAL SPECIFICATIONS

MATERIAL

Shell, Bayonet and Flange: Carbon Steel  
Pins: 52 Nickel Alloy  
Seals: Silicone O-Ring only  
Insulator: Glass

CURRENT RATING

Size 20: 5 AMPS  
Size 16: 10 AMPS

AIR LEAKAGE

1x10<sup>-6</sup> CM<sup>3</sup>/SEC AT 15psi

INSULATION RESISTANCE

5,000 megohms AT 500VDC

OPERATING TEMPERATURE

-67°F TO +257°F (-55°C TO +125°C)

STANDARD PIN IS SOLDER CUP TYPE. OTHER PIN TYPES ALSO AVAILABLE (EYELET, STRAIGHT, THERMOCOUPLE) - CONSULT FACTORY.

STANDARD FINISH IS TIN PLATED SHELL AND PINS. OTHER FINISHES ALSO AVAILABLE (GOLD, NICKEL, OLIVE DRAB, etc.) - CONSULT FACTORY.

SPECIALS CAN BE SUPPLIED TO MEET CUSTOMER SPECIFICATIONS - CONSULT FACTORY.

OUR CONNECTORS MATE WITH ANY PLUG WITH SOCKET CONTACTS WHICH MEET THE DIMENSIONAL REQUIREMENTS OF MIL-DTL-26482 AND MS3116.

**Detronics Corporation**

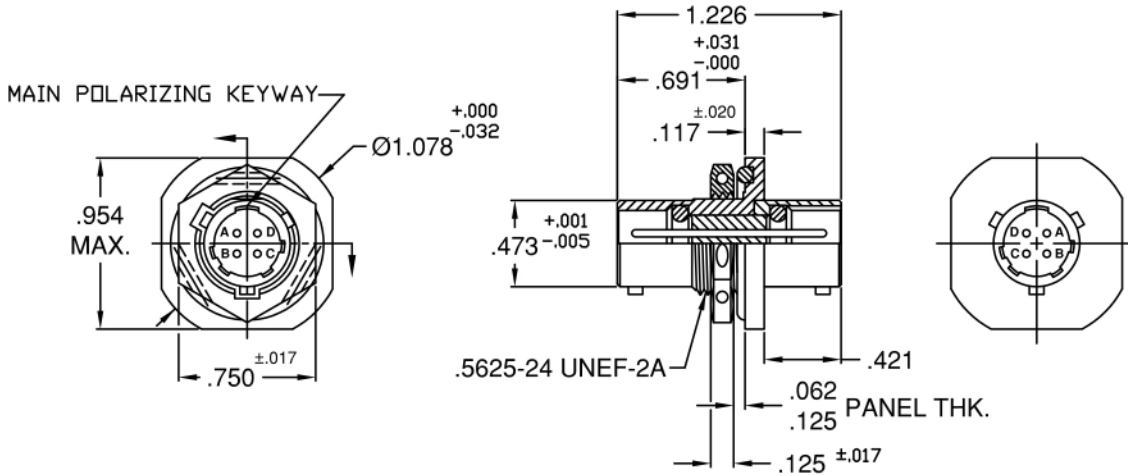
13071 ROSECRANS AVE, SANTA FE SPRINGS, CA 90670

TELE: (626) 579-7130 FAX: (626) 579-1936

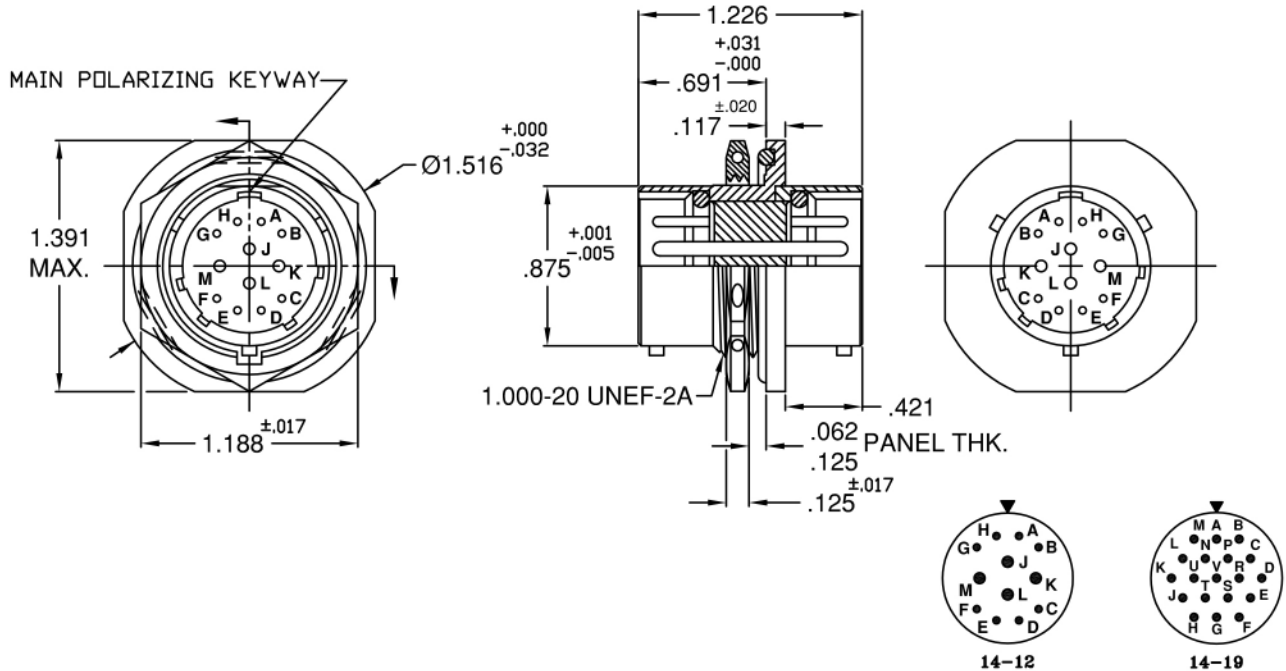
[www.detronics.com](http://www.detronics.com)

MIL-DTL-26482 TYPE, COMMERCIAL EQUAL  
HERMETIC GLASS-TO-METAL SEALED  
(VACUUM / PRESSURE FEED THRU)

DT7BFH-8-4PN



DT7BFH-14-12PN AND DT7BFH-14-19PN



ENGAGING FACE PIN INSERTS

AFTER PLATING, THREAD SUBJECT TO ACCEPTANCE USING A BASIC CLASS 3A GO GAGE.

MATERIAL: STANDARD IS CRS SHELL, 52 NICKEL ALLOY PINS, SILICONE INTERNAL O-RINGS, AND NITRILE EXTERNAL O-RING.

STANDARD FINISH IS TIN PLATED SHELL AND PINS.  
OTHER FINISHES ALSO AVAILABLE (GOLD, NICKEL, OLIVE DRAB, etc.) - CONSULT FACTORY.

SPECIALS CAN BE SUPPLIED TO MEET CUSTOMER SPECIFICATIONS - CONSULT FACTORY.

OUR CONNECTORS MATE WITH ANY PLUG WITH SOCKET CONTACTS WHICH MEET THE DIMENSIONAL REQUIREMENTS OF MIL-DTL-26482 AND MS3116.

GENERAL SPECIFICATIONS

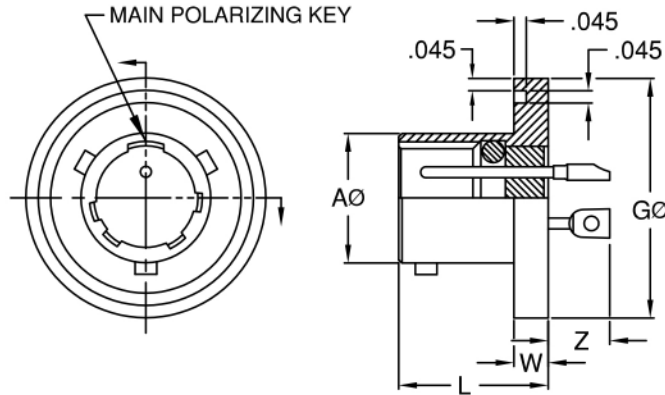
- AIR LEAKAGE:  $1 \times 10^{-6}$  CM<sup>3</sup>/SEC AT 15psi
- INSULATION RESISTANCE: 5,000 megohms AT 500VDC
- OPERATING TEMPERATURE: -67°F TO +257°F (-55°C TO +125°C)
- CURRENT RATING: SIZE 20: 5 AMPS, SIZE 16: 10 AMPS

**Detronics Corporation**

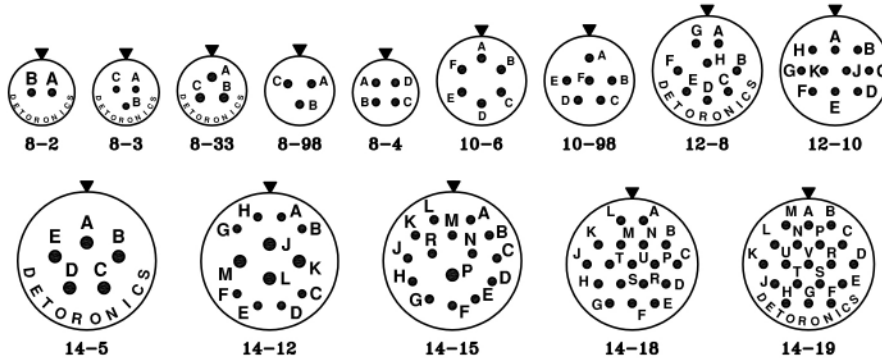
13071 ROSECRANS AVE, SANTA FE SPRINGS, CA 90670  
TELE: (626) 579-7130 FAX: (626) 579-1936  
www.detronics.com



## MIL-DTL-26482 TYPE WELD MOUNT, COMMERCIAL EQUAL HERMETIC GLASS-TO-METAL SEALED (VACUUM / PRESSURE FEED THRU)



PART NO.	AØ +.001 -.005	GØ ±.010	L +.025 -.016	W ±.010	Z MAX.
DTW03H-8-*PN	.473	.875	.541	.125	.292
DTW03H-10-*PN	.590	1.000	.541	.125	.292
DTW03H-12-*PN	.750	1.125	.541	.125	.292
DTW03H-14-*PN	.875	1.250	.541	.125	.292



### ENGAGING FACE PIN INSERTS

\* ADD DESIRED INSERT ARRANGEMENT.

▼ = INSERT ARRANGEMENT IS SHOWN IN NORMAL POSITION.

OTHER SHELL SIZES, PIN PATTERNS AND INSERT POSITIONS MAY BE AVAILABLE - CONSULT FACTORY.

MATERIAL: STANDARD IS 304L-SST SHELL, 52 NICKEL ALLOY PINS AND SILICONE O-RING ONLY.

STANDARD PIN IS SOLDER CUP TYPE. OTHER PIN TYPES ALSO AVAILABLE (EYELET, STRAIGHT) - CONSULT FACTORY.

STANDARD FINISH IS GOLD PLATED PINS ONLY.

SPECIALS CAN BE SUPPLIED TO MEET CUSTOMER SPECIFICATIONS - CONSULT FACTORY.

OUR CONNECTORS MATE WITH ANY PLUG WITH SOCKET CONTACTS WHICH MEET THE DIMENSIONAL REQUIREMENTS OF MIL-DTL-26482 AND MS3116.

#### GENERAL SPECIFICATIONS

AIR LEAKAGE:  $1 \times 10^{-6}$  CM<sup>3</sup>/SEC AT 15psi

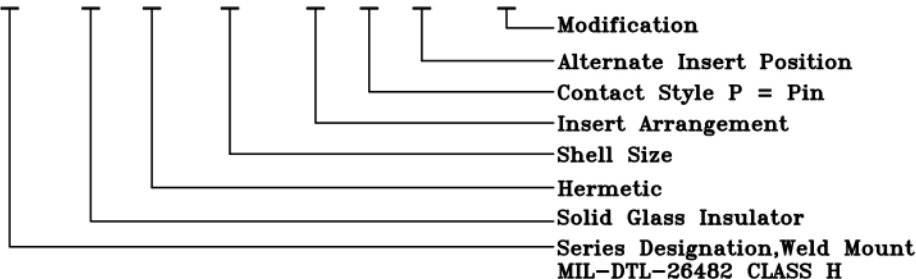
INSULATION RESISTANCE: 5,000 megohms AT 500VDC

OPERATING TEMPERATURE: -67°F TO +257°F (-55°C TO +125°C)

CURRENT RATING: SIZE 20: 5 AMPS, SIZE 16: 10 AMPS

#### PART NUMBERING SYSTEM

DTW 03 H - 12 - 10 P N - \*\*\*



### Detronics Corporation

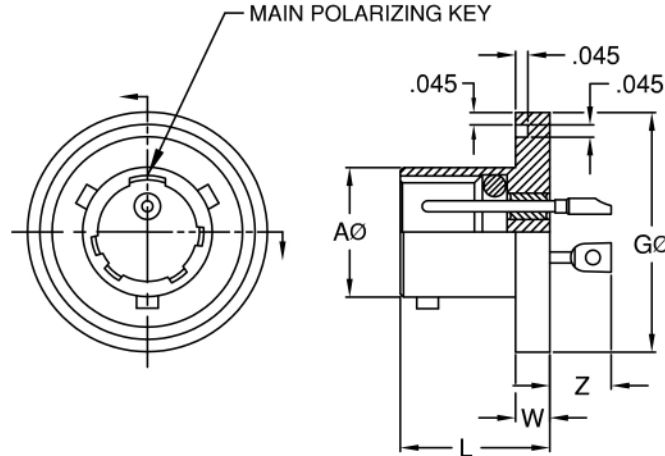
13071 ROSECRANS AVE, SANTA FE SPRINGS, CA 90670

TELE: (626) 579-7130 FAX: (626) 579-1936

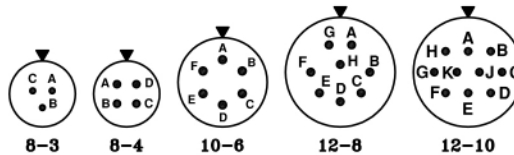
www.detronics.com

# MINIATURE HERMETIC ELECTRONIC CONNECTORS-DTW04H SERIES

MIL-DTL-26482 TYPE WELD MOUNT, COMMERCIAL EQUAL  
HERMETIC GLASS-TO-METAL SEALED WITH INDIVIDUAL INSULATORS  
(VACUUM / PRESSURE FEED THRUS)



PART NO.	AØ +.001 -.005	GØ ±.010	L +.025 -.016	W ±.010	Z MAX.
DTW04H-8-*PN	.473	.875	.541	.125	.292
DTW04H-10-*PN	.590	1.000	.541	.125	.292
DTW04H-12-*PN	.750	1.125	.541	.125	.292



## ENGAGING FACE PIN INSERTS

\* ADD DESIRED INSERT ARRANGEMENT.

▼ = INSERT ARRANGEMENT IS SHOWN IN NORMAL POSITION.

OTHER SHELL SIZES, PIN PATTERNS AND INSERT POSITIONS MAY BE AVAILABLE - CONSULT FACTORY.

MATERIAL: STANDARD IS 304L-SST SHELL, 52 NICKEL ALLOY PINS AND SILICONE O-RING ONLY.

STANDARD PIN IS SOLDER CUP TYPE. OTHER PIN TYPES ALSO AVAILABLE (EYELET, STRAIGHT) - CONSULT FACTORY.

STANDARD FINISH IS GOLD PLATED PINS ONLY.

SPECIALS CAN BE SUPPLIED TO MEET CUSTOMER SPECIFICATIONS - CONSULT FACTORY.

OUR CONNECTORS MATE WITH ANY PLUG WITH SOCKET CONTACTS WHICH MEET THE DIMENSIONAL REQUIREMENTS OF MIL-DTL-26482 AND MS3116.

### GENERAL SPECIFICATIONS

AIR LEAKAGE:  $1 \times 10^{-6}$  CM<sup>3</sup>/SEC AT 15psi

INSULATION RESISTANCE: 5,000 megohms AT 500VDC

OPERATING TEMPERATURE: -67°F TO +257°F (-55°C TO +125°C)

CURRENT RATING: SIZE 20: 5 AMPS

### PART NUMBERING SYSTEM

DTW 04 H - 12 - 10 P N - \*\*\*

Modification  
Alternate Insert Position  
Contact Style P = Pin  
Insert Arrangement  
Shell Size  
Hermetic  
Individual Glass Insulator  
Series Designation, Weld Mount  
MIL-DTL-26482 CLASS H

### Detronics Corporation

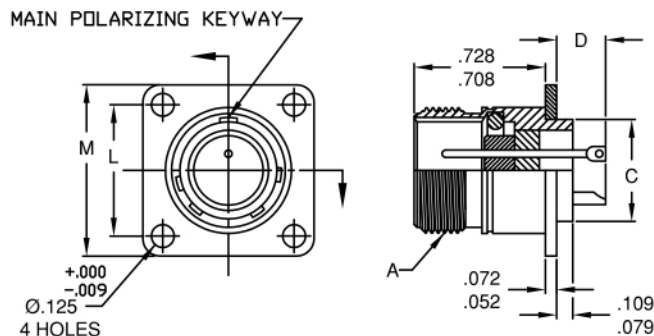
13071 ROSECRAVENS AVE, SANTA FE SPRINGS, CA 90670

TELE: (626) 579-7130 FAX: (626) 579-1936

www.detronics.com

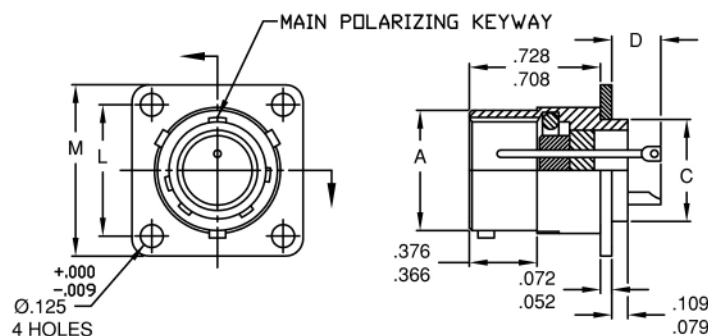
# MINIATURE HERMETIC ELECTRONIC CONNECTORS-DX SERIES

MIL-DTL-26500 AND MIL-DTL-83723 SERIES III,  
COMMERCIAL EQUAL HERMETIC GLASS-TO-METAL SEALED  
(VACUUM / PRESSURE FEED THRU)



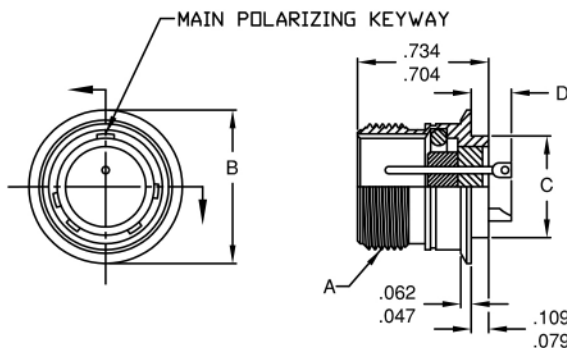
**DX02H-\*T - SQUARE FLANGE THREADED  
(MS24264 THREADED TYPE)**

PART NO.	A † THREAD UNEF-2A	ØC MAX.	D MAX.		L (TYP) C-C	M (TYP) ±.005
			SIZE OF CONTACTS			
			#12 & #16	#20		
DX02H-10T-*PN	11/16-24	.562	.400	.330	.719	.937
DX02H-12T-*PN	7/8-20	.750	.400	.330	.812	1.031
DX02H-14T-*PN	15/16-20	.812	.400	.330	.906	1.125
DX02H-16T-*PN	1-1/16-18	.938	.400	.330	.969	1.250



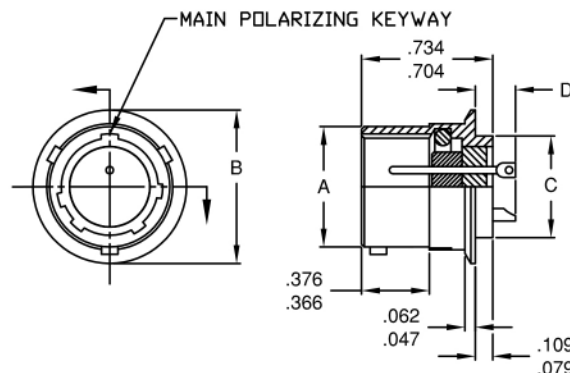
**DX02H-\*B - SQUARE FLANGE BAYONET  
(MS24264 BAYONET TYPE)**

PART NO.	ØA +0.000 -0.005	ØC MAX.	D MAX.		L (TYP) C-C	M (TYP) ±.005
			SIZE OF CONTACTS			
			#12 & #16	#20		
DX02H-10B-*PN	.659	.562	.400	.330	.719	.937
DX02H-12B-*PN	.829	.750	.400	.330	.812	1.031
DX02H-14B-*PN	.898	.812	.400	.330	.906	1.125
DX02H-16B-*PN	1.025	.938	.400	.330	.969	1.250



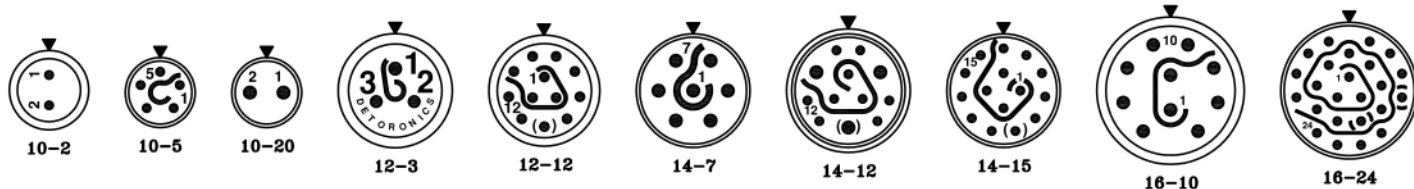
**DX1H-\*T - SOLDER MOUNT THREADED  
(MS27034 THREADED TYPE)**

PART NO.	A † THREAD UNEF-2A	ØB ±.020	ØC MAX.	D MAX.	
				SIZE OF CONTACTS	
				#12 & #16	#20
DX1H-10T-*PN	11/16-24	.840	.562	.400	.330
DX1H-12T-*PN	7/8-20	1.045	.750	.400	.330
DX1H-14T-*PN	15/16-20	1.090	.812	.400	.330
DX1H-16T-*PN	1-1/16-18	1.210	.937	.400	.330



**DX1H-\*B - SOLDER MOUNT BAYONET  
(MS27034 BAYONET TYPE)**

PART NO.	ØA +0.000 -0.005	ØB ±.020	ØC MAX.	D MAX.	
				SIZE OF CONTACTS	
				#12 & #16	#20
DX1H-10B-*PN	.659	.840	.562	.400	.330
DX1H-12B-*PN	.829	1.045	.750	.400	.330
DX1H-14B-*PN	.898	1.090	.812	.400	.330
DX1H-16B-*PN	1.025	1.210	.937	.400	.330



**ENGAGING FACE PIN INSERTS**

\* ADD DESIRED INSERT ARRANGEMENT.

▼ = INSERT ARRANGEMENT IS SHOWN IN NORMAL POSITION.

† AFTER PLATING, SUBJECT TO ACCEPTANCE USING A BASIC CLASS 3A GO GAGE.

MIL-DTL-83723 SERIES III INTERMATEABLE WITH MIL-DTL-26500.

OTHER SHELL SIZES, PIN PATTERNS AND INSERT POSITIONS MAY BE AVAILABLE - CONSULT FACTORY.

MATERIAL: STANDARD IS CRS SHELL, 52 NICKEL ALLOY PINS, SILICONE INTERFACIAL SEAL AND O-RING.

STANDARD PIN IS EYELET TYPE, OTHER PIN TYPES ALSO AVAILABLE (SOLDER CUP, STRAIGHT, THERMOCOUPLE) - CONSULT FACTORY.

STANDARD FINISH IS TIN PLATED SHELL AND PINS.

OTHER FINISHES ALSO AVAILABLE (GOLD, NICKEL, OLIVE DRAB, etc.) - CONSULT FACTORY.

SPECIALS CAN BE SUPPLIED TO MEET CUSTOMER SPECIFICATIONS - CONSULT FACTORY.

OUR CONNECTORS MATE WITH ANY PLUG WITH SOCKET CONTACTS WHICH MEET THE DIMENSIONAL REQUIREMENTS OF MIL-DTL-26500, MS24266B AND MS24266T.

**GENERAL SPECIFICATIONS**

AIR LEAKAGE: 1x10<sup>-7</sup> CM<sup>3</sup>/SEC AT 15psi

INSULATION RESISTANCE: 5,000 megohms AT 500VDC

OPERATING TEMPERATURE: -67°F TO +500°F (-55°C TO +260°C)

**Detronics Corporation**

13071 ROSECRANS AVE, SANTA FE SPRINGS, CA 90670

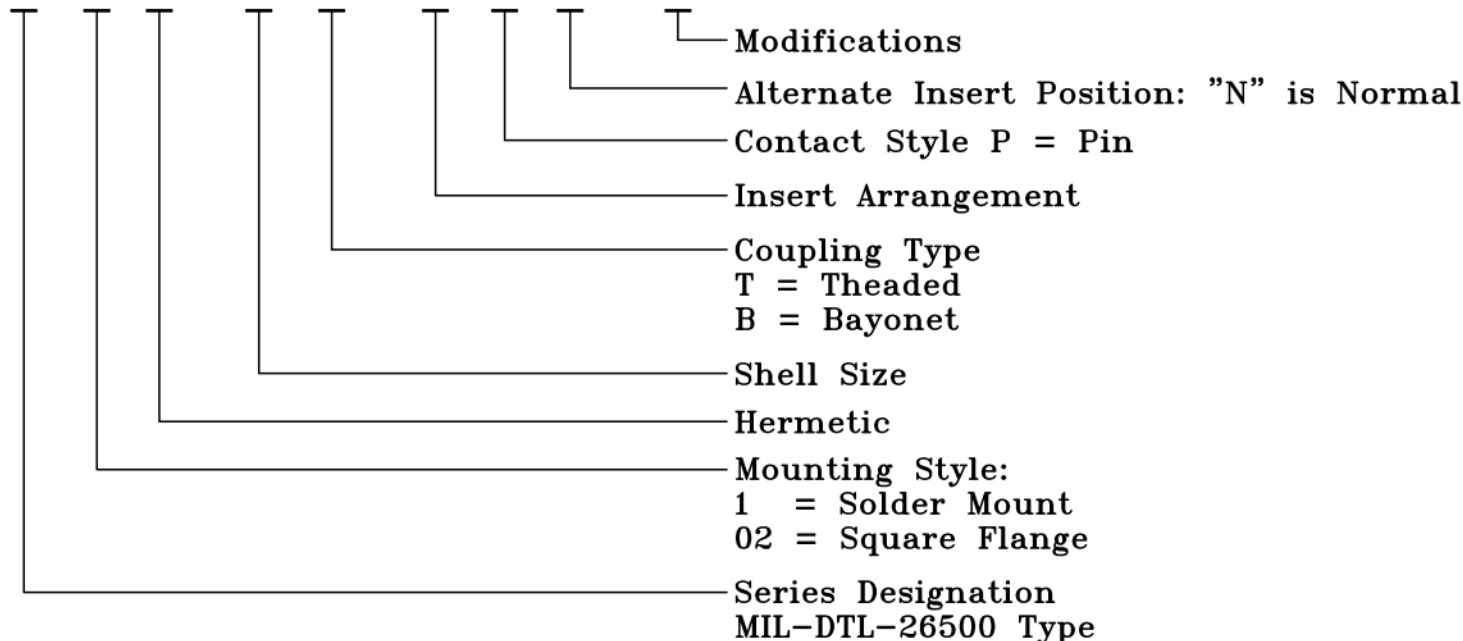
TELE: (626) 579-7130 FAX: (626) 579-1936

www.detronics.com

**DX SERIES**  
**MIL-DTL-26500 AND MIL-DTL-83723 SERIES III TYPE**  
 (COMMERCIAL EQUAL - HERMETIC)

**PART NUMBERING SYSTEM**

**DX 1 H - 22 B - 55 P N - \*\*\***



**GENERAL SPECIFICATIONS**

**MATERIAL**

Shell and Flange: Carbon Steel  
 Pins: 52 Nickel Alloy  
 Seals: Silicone Interfacial Seal and O-Ring  
 Insulator: Glass

**CURRENT RATING**

Size 20: 5 AMPS  
 Size 16: 10 AMPS

**AIR LEAKAGE**

1x10<sup>-7</sup> CM<sup>3</sup>/SEC AT 15psi

**INSULATION RESISTANCE**

5,000 megohms AT 500VDC

**OPERATING TEMPERATURE**

-67°F TO +500°F (-55°C TO +260°C)

STANDARD PIN IS EYELET TYPE. OTHER PIN TYPES ALSO AVAILABLE (SOLDER CUP, STRAIGHT, THERMOCOUPLE) - CONSULT FACTORY.

MIL-DTL-83723 SERIES III INTERMATEABLE WITH MIL-DTL-26500.

STANDARD FINISH IS TIN PLATED SHELL AND PINS. OTHER FINISHES ALSO AVAILABLE (GOLD, NICKEL, OLIVE DRAB, etc.) - CONSULT FACTORY.

SPECIALS CAN BE SUPPLIED TO MEET CUSTOMER SPECIFICATIONS - CONSULT FACTORY.

OUR CONNECTORS MATE WITH ANY PLUG WITH SOCKET CONTACTS WHICH MEET THE DIMENSIONAL REQUIREMENTS OF MIL-DTL-26500 AND MS24266B AND MS24266T.

**Detoronics Corporation**  
 13071 ROSECRANS AVE, SANTA FE SPRINGS, CA 90670  
 TELE: (626) 579-7130 FAX: (626) 579-1936  
[www.detoronics.com](http://www.detoronics.com)